



US00D356908S

United States Patent [19]

[11] Patent Number: **Des. 356,908**

Johansson

[45] Date of Patent: **** Apr. 4, 1995**

[54] STORAGE AND DISPLAY CABINET

[76] Inventor: **Jerzy K. Johansson**, Kärråkravägen,
S-281 50 Hässleholm, Sweden

[**] Term: **14 Years**

[21] Appl. No.: **10,365**

[22] Filed: **Jul. 7, 1993**

[30] Foreign Application Priority Data

Jan. 7, 1993 [SE] Sweden 93 0019

[52] U.S. Cl. **D6/470**

[58] Field of Search D6/470, 471, 472, 436;
312/140.1, 138.1, 139.1

[56] References Cited

U.S. PATENT DOCUMENTS

- D. 124,751 1/1941 Ressinger D6/470
- D. 306,669 3/1990 Otema D6/470
- 1,076,143 10/1913 Miller .
- 3,205,840 9/1965 Vincens .
- 3,544,181 12/1970 Schottland .

FOREIGN PATENT DOCUMENTS

- 1196168 11/1959 France .
- 8001302-2 8/1984 Sweden .
- 456077 7/1968 Switzerland .

OTHER PUBLICATIONS

Swedish Design Registration 53053, published on Oct. 14, 1992.

Swedish Design Gazette, 1991-Oct.-14, M 918/1992, No. 92-0539.

Architectural Forum—Design Standards and Data, Nov. 1953 pp. 169-172.

Town Showcase & Cabinet Co. Ad, A-831 Model.

Berg Store Fixtures Ad, Full-View Showcase pp. 3-4.

Berg Showcase Regency Series Ad, Top-line Full-View p. 3.

Primary Examiner—Alan P. Douglas

Assistant Examiner—S. Snapp

[57] CLAIM

The ornamental design for a storage and display cabinet, as shown.

DESCRIPTION

FIG. 1 is a front perspective view showing the cabinet obliquely from one end;

FIG. 2 is a rear perspective view showing the cabinet obliquely from the other end;

FIG. 3 is a front perspective view showing the cabinet obliquely from below and from said other end;

FIG. 4 is a front perspective view showing another embodiment of the cabinet obliquely from one end; and,

FIG. 5 is a front perspective view showing this embodiment of the cabinet obliquely from below and from the other end.

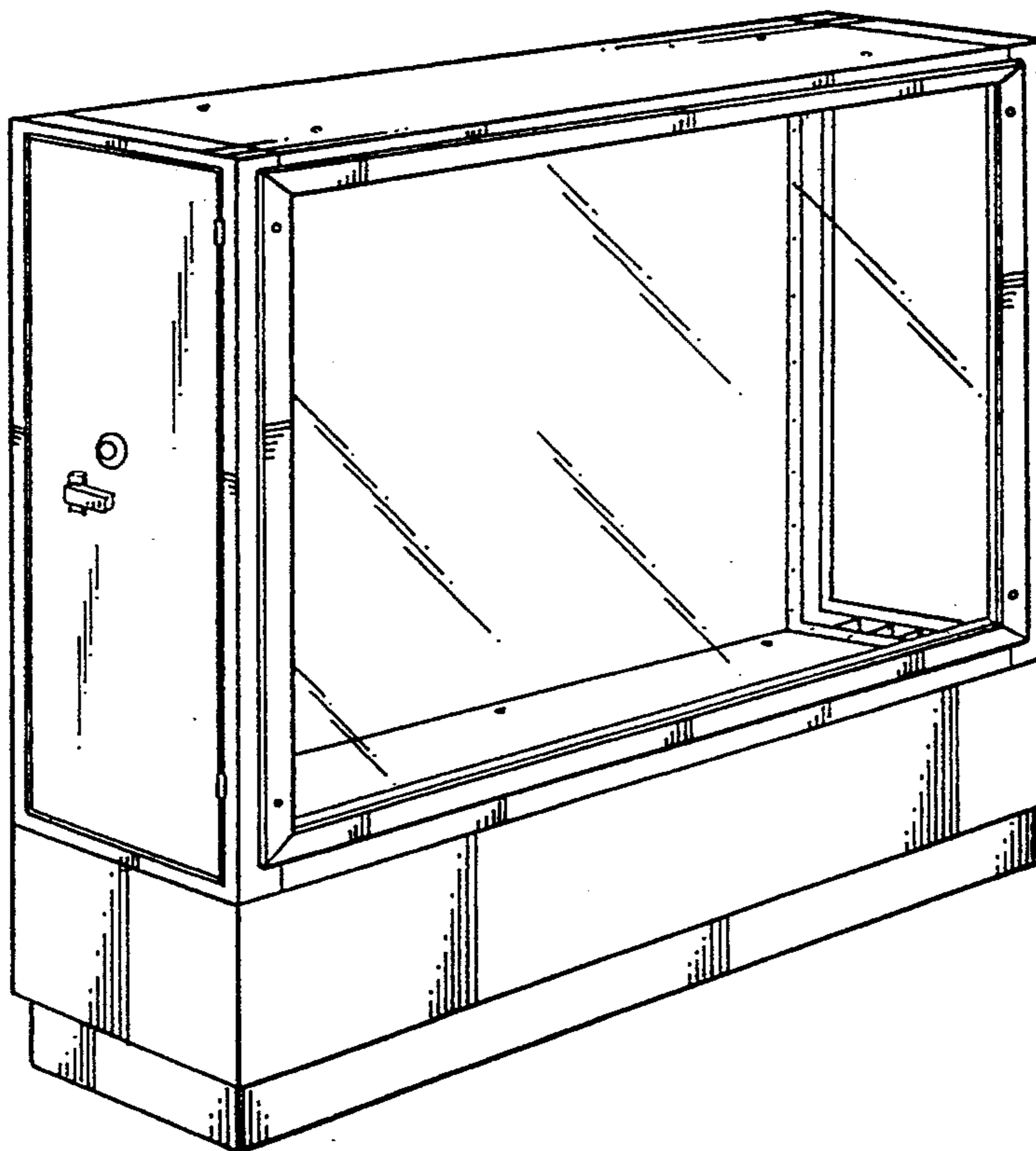


FIG. 1

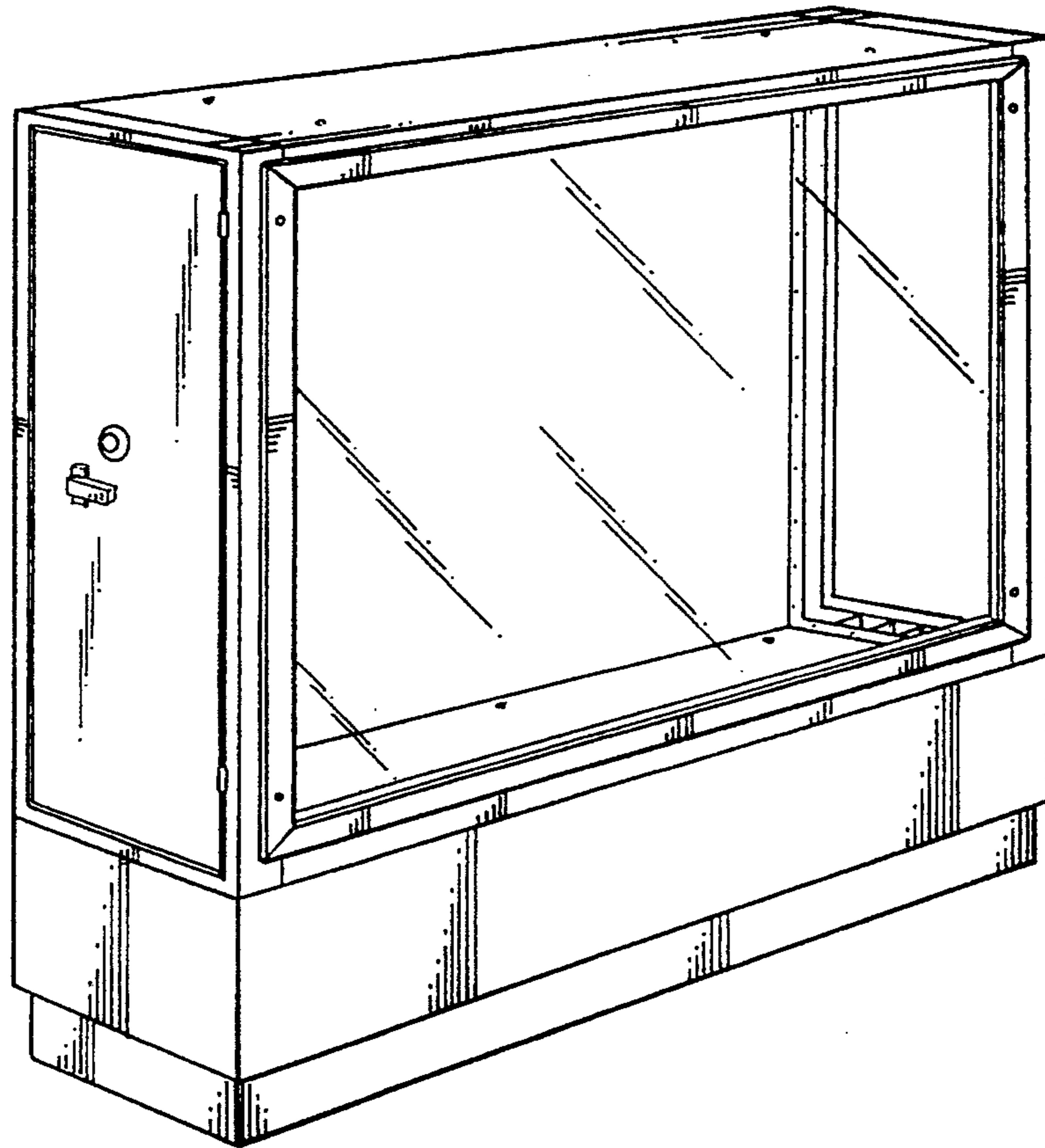


FIG. 2

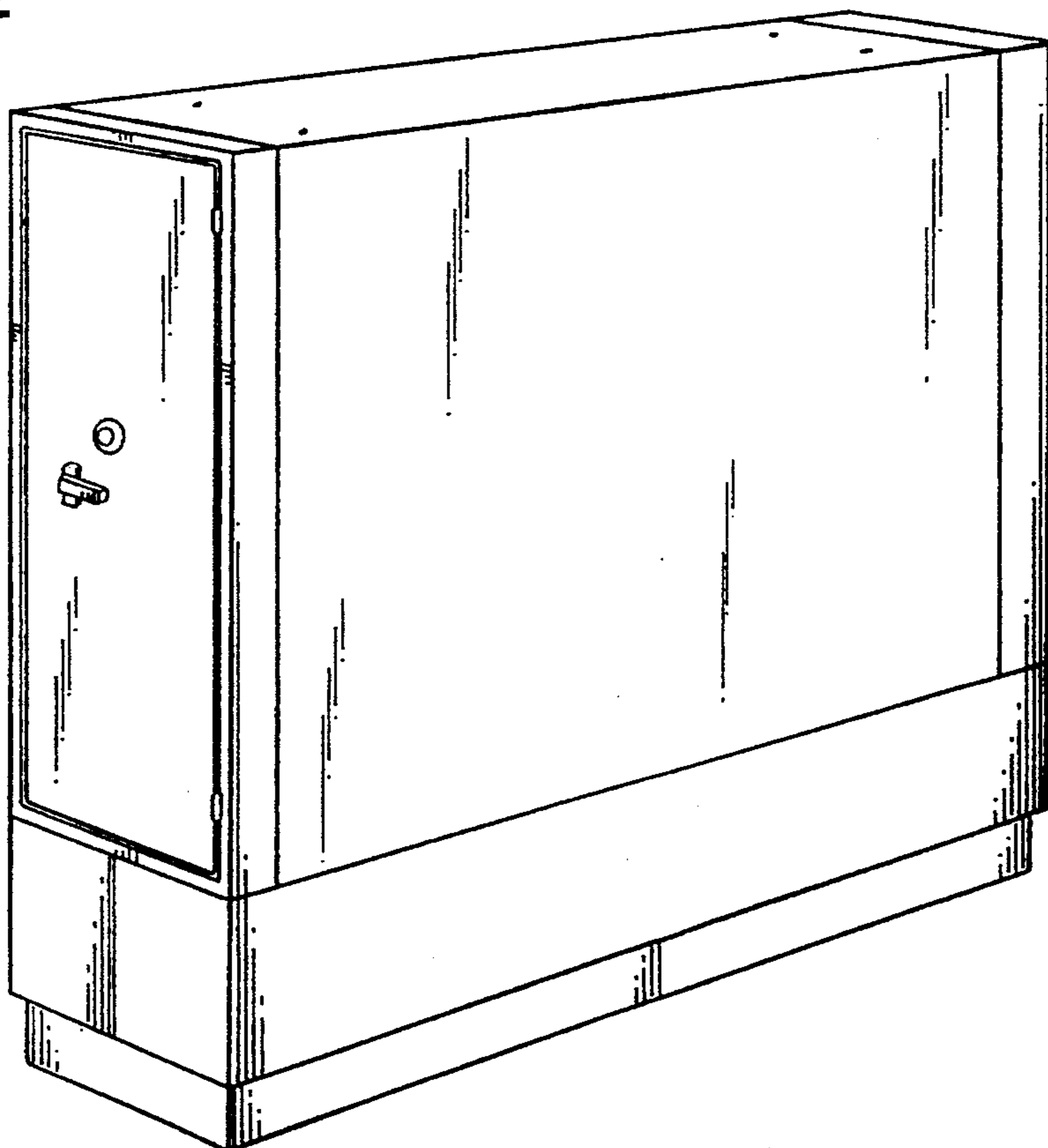


FIG. 3

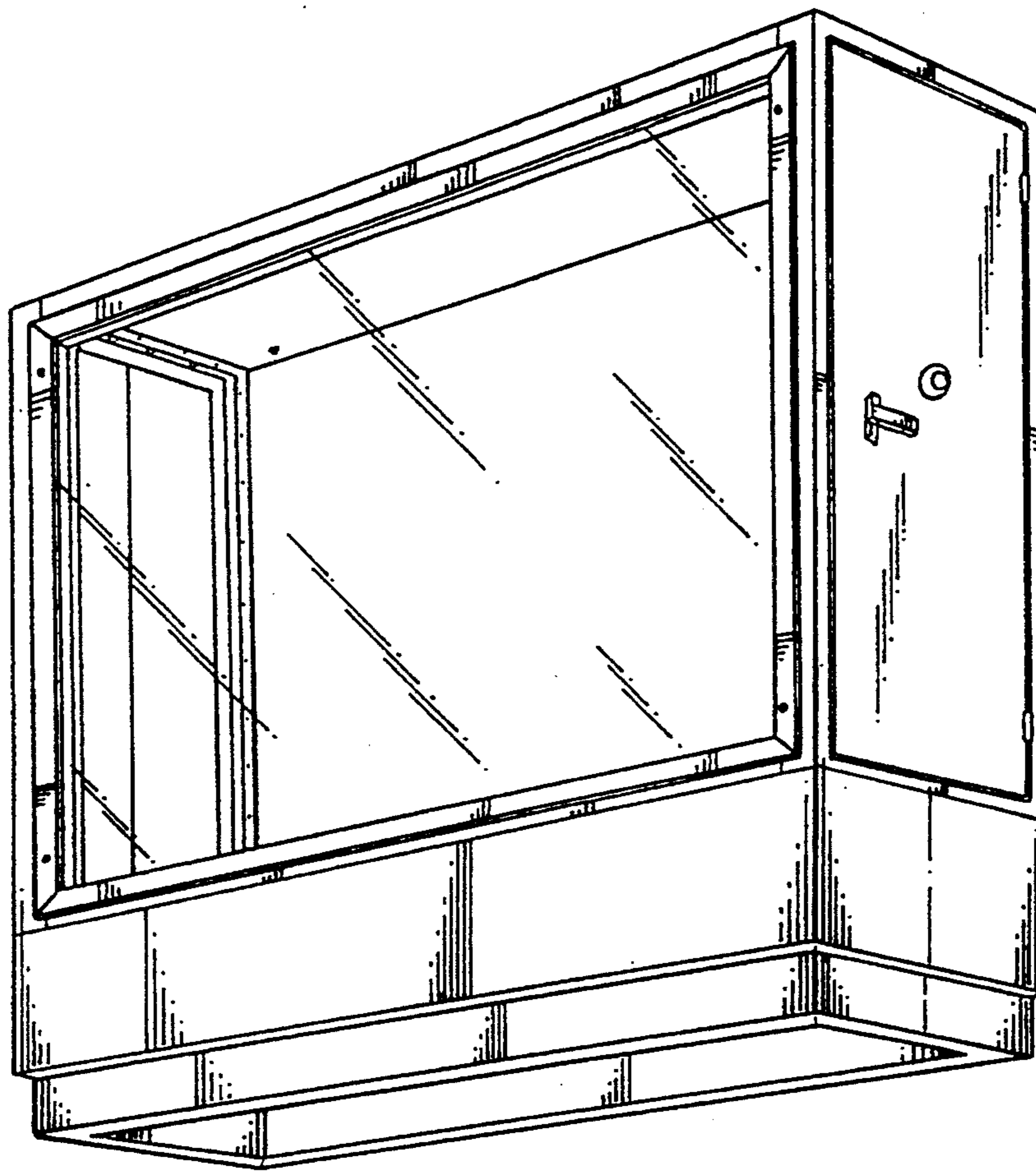


FIG. 4

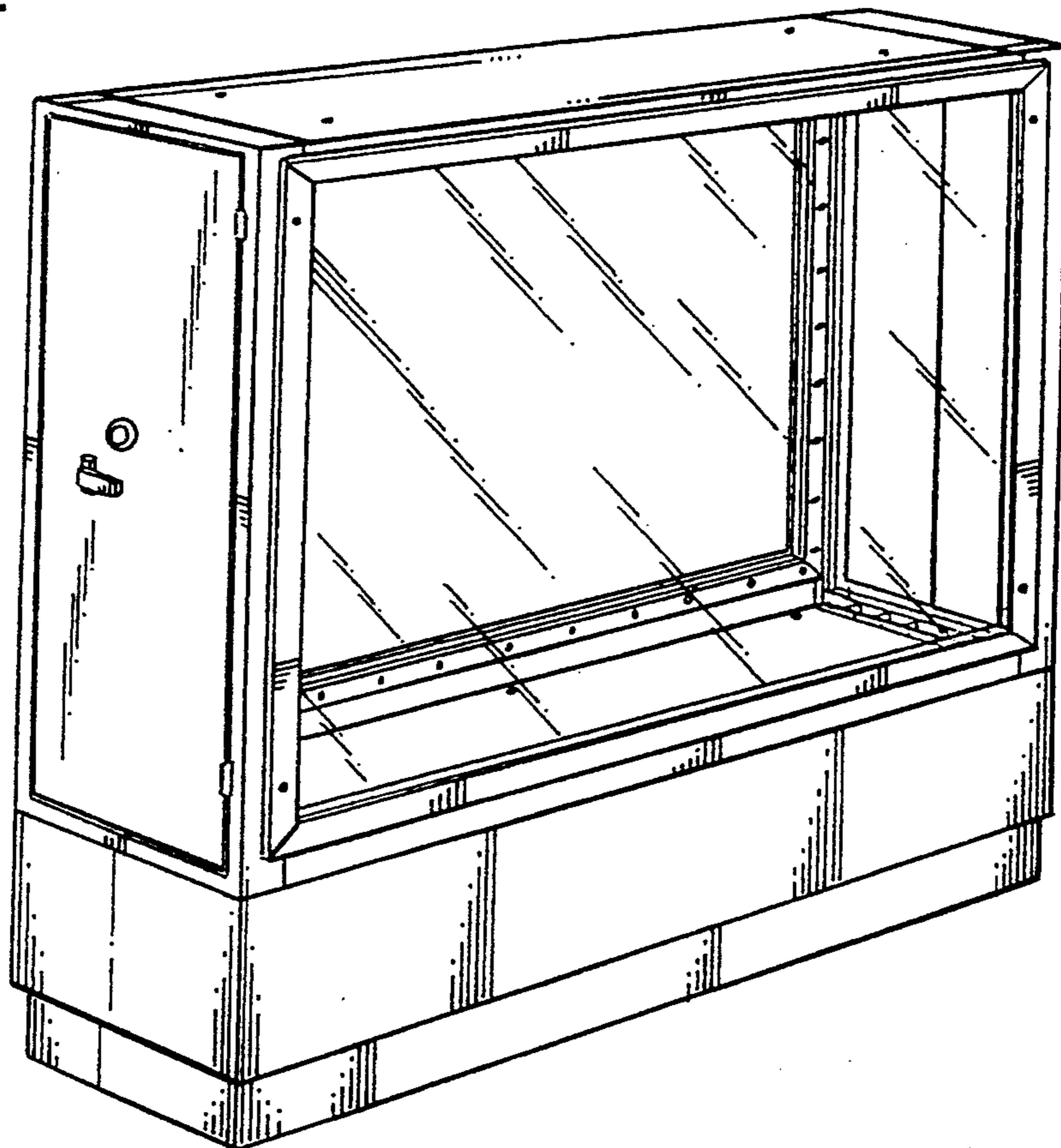


FIG. 5

