



US00D356900S

United States Patent [19]

[11] Patent Number: **Des. 356,900**

Chesmore

[45] Date of Patent: **** Apr. 4, 1995**

[54] **BASKETBALL BED**

[57] **CLAIM**

[76] Inventor: **Victor L. Chesmore**, 6781 Rubens Ct., Orlando, Fla. 32818

The ornamental design for a basketball bed, as shown and described.

[**] Term: **14 Years**

DESCRIPTION

[21] Appl. No.: **14,985**

FIG. 1 is a front perspective view of my new and original design for a basketball bed;

[22] Filed: **Nov. 8, 1993**

FIG. 2 is a front elevation view of the basketball bed of FIG. 1;

[52] U.S. Cl. **D6/388; D6/506**

FIG. 3 is a side elevation view of the basketball bed of FIG. 1;

[58] Field of Search **D6/382, 388-395, D6/505-508; 5/110, 279.1, 280, 281**

FIG. 4 is a rear elevation view of the basketball bed of FIG. 1;

[56] **References Cited**

U.S. PATENT DOCUMENTS

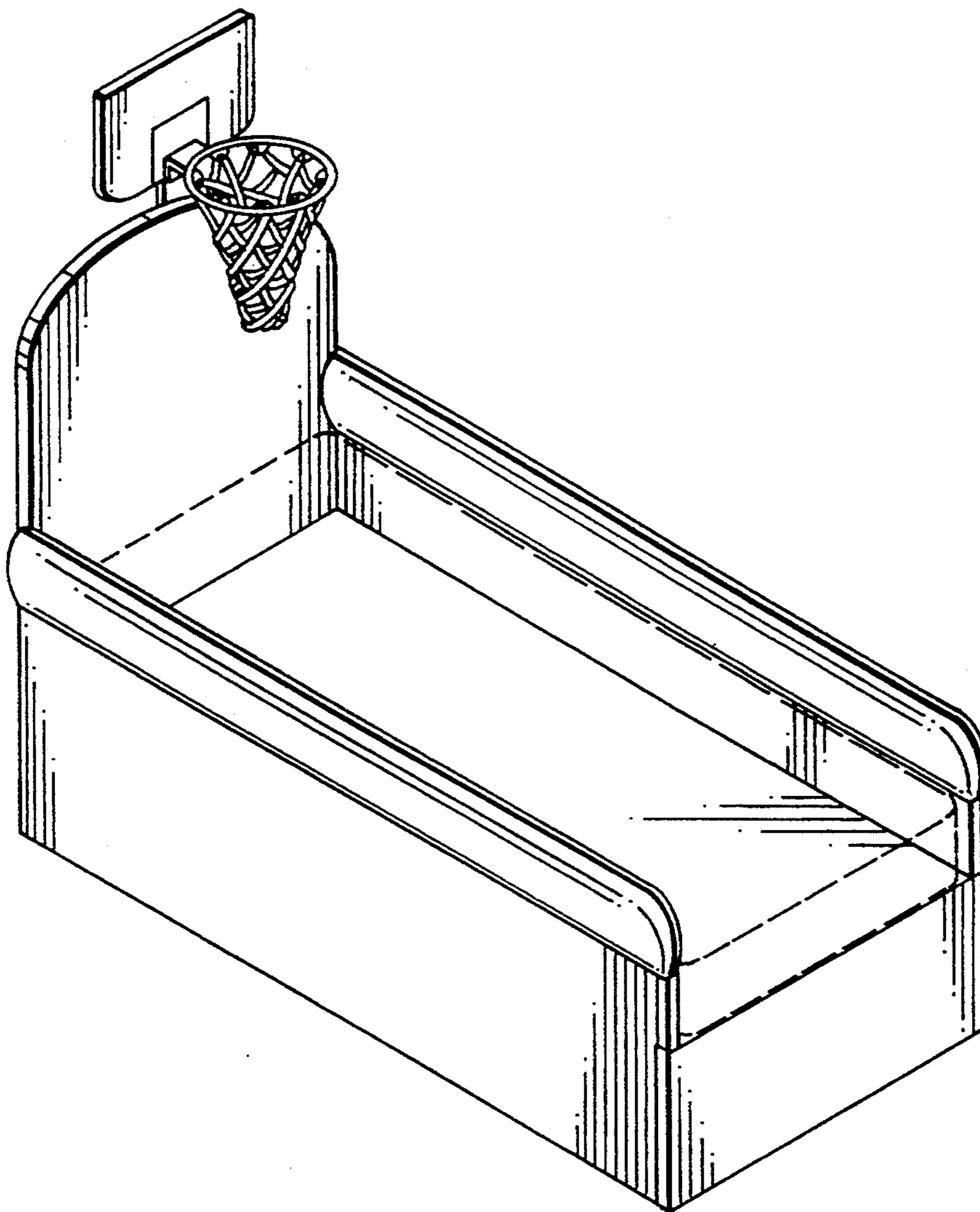
- D. 252,599 8/1979 Carter D6/388
- D. 344,863 3/1994 Winkler D6/388
- 4,800,600 1/1989 Baum D6/388 X

FIG. 5 is a top plan view of the basketball bed of FIG. 1; and,

FIG. 6 is a bottom plan view of the basketball bed of FIG. 1.

Primary Examiner—Janice E. Seeger
Attorney, Agent, or Firm—James H. Beusse

The broken lines in FIGS. 1, 2, and 5 are for environmental purposes only and form no part of the claimed design.



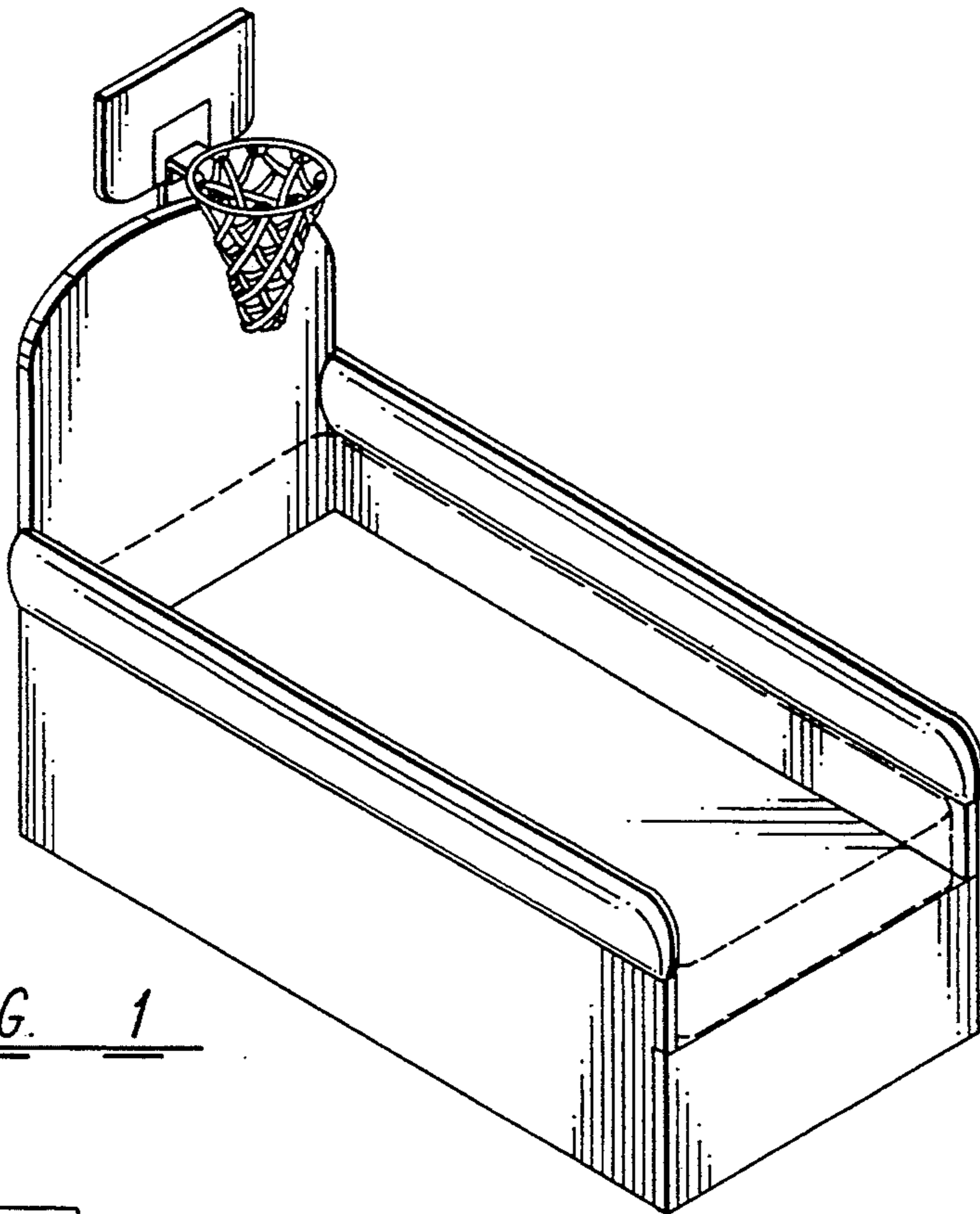


FIG. 1

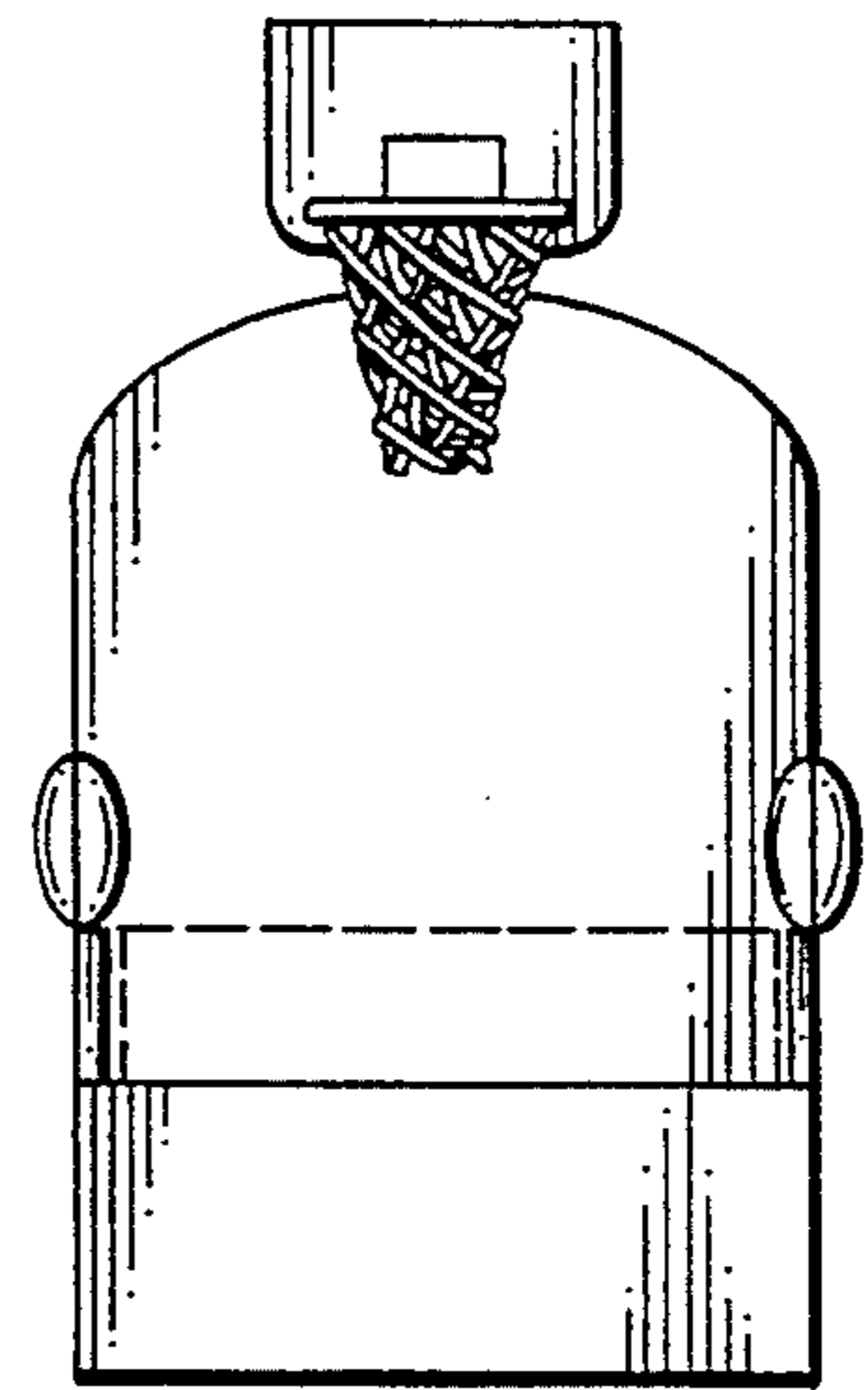


FIG. 2

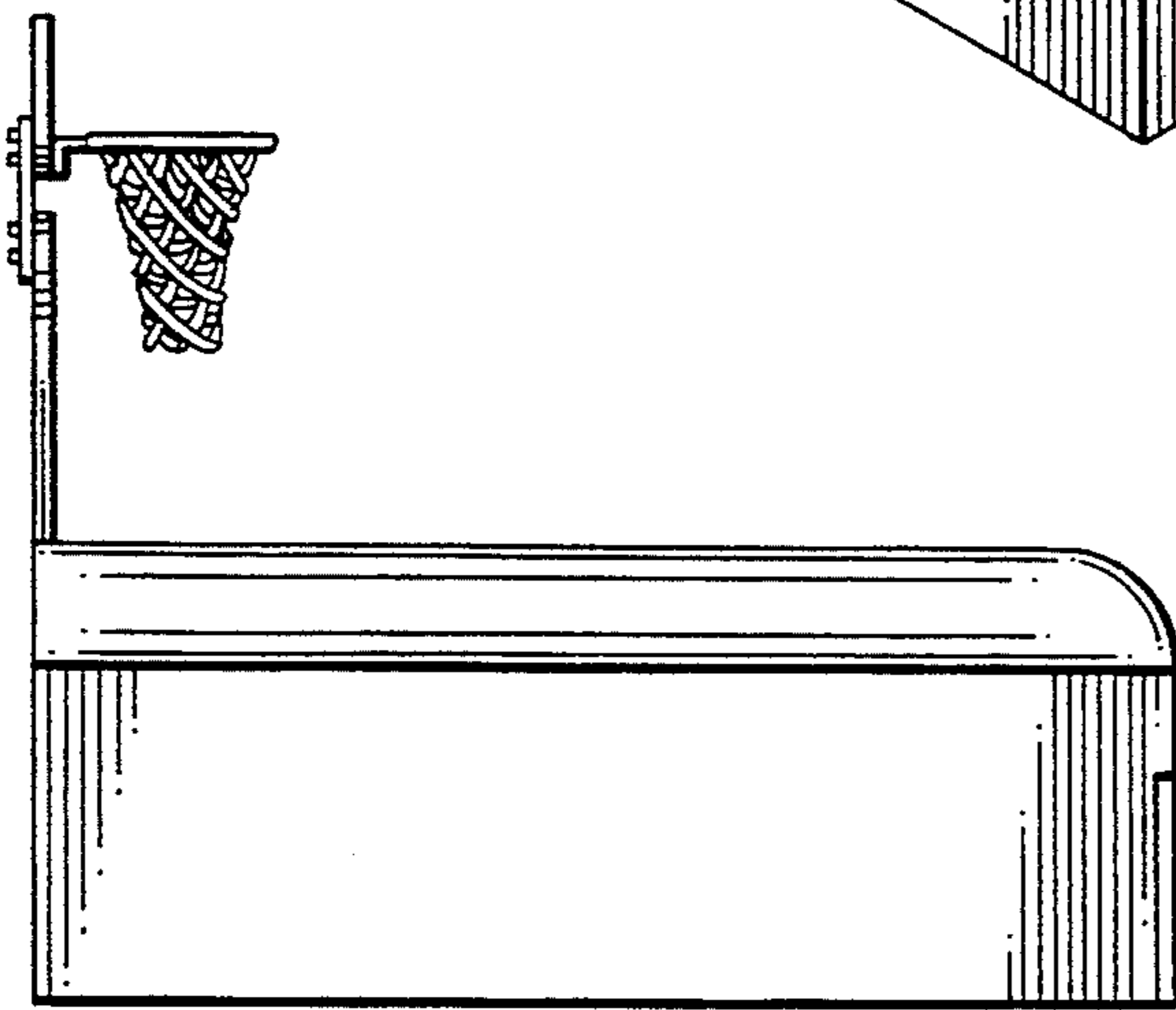


FIG. 3

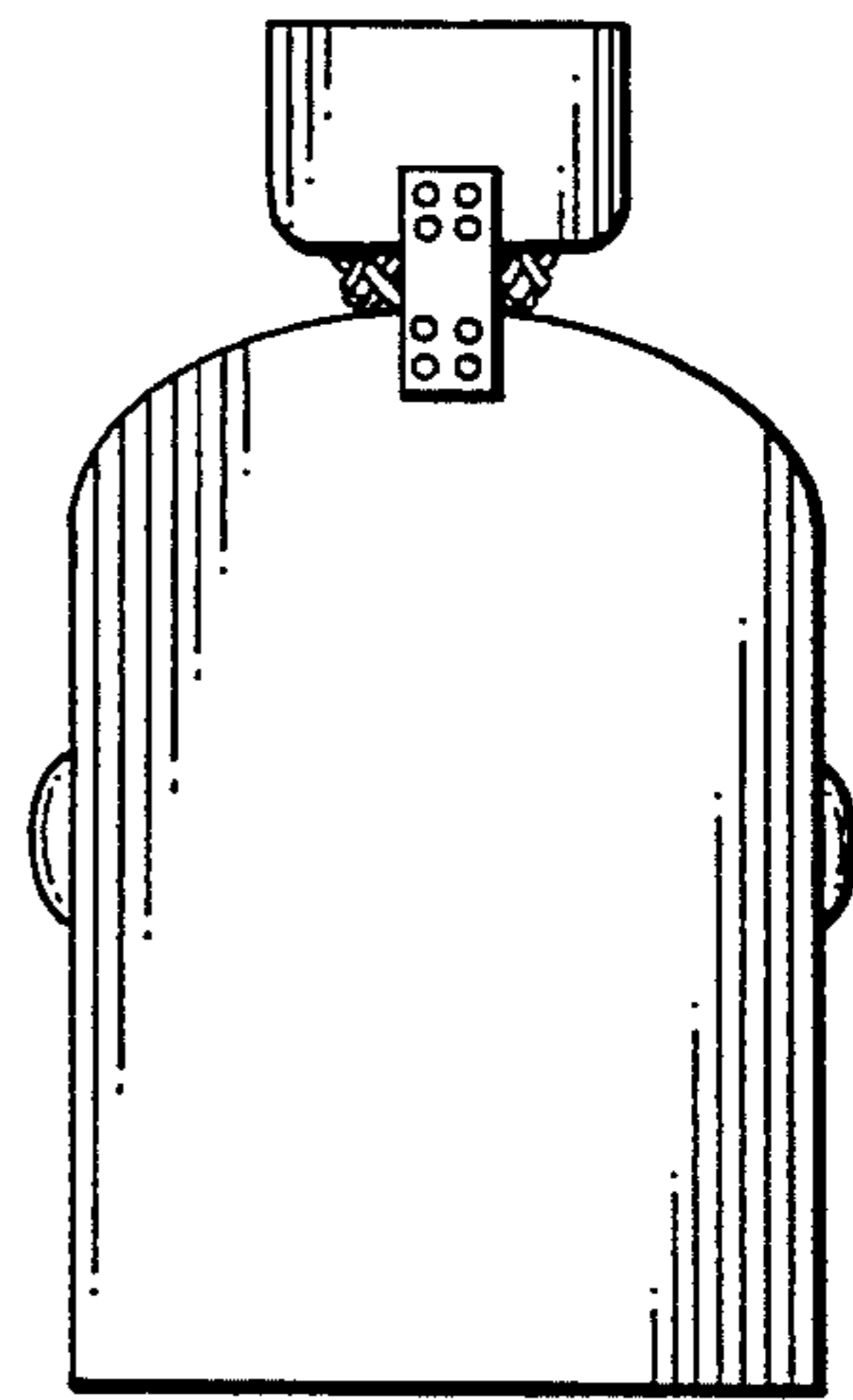


FIG. 4

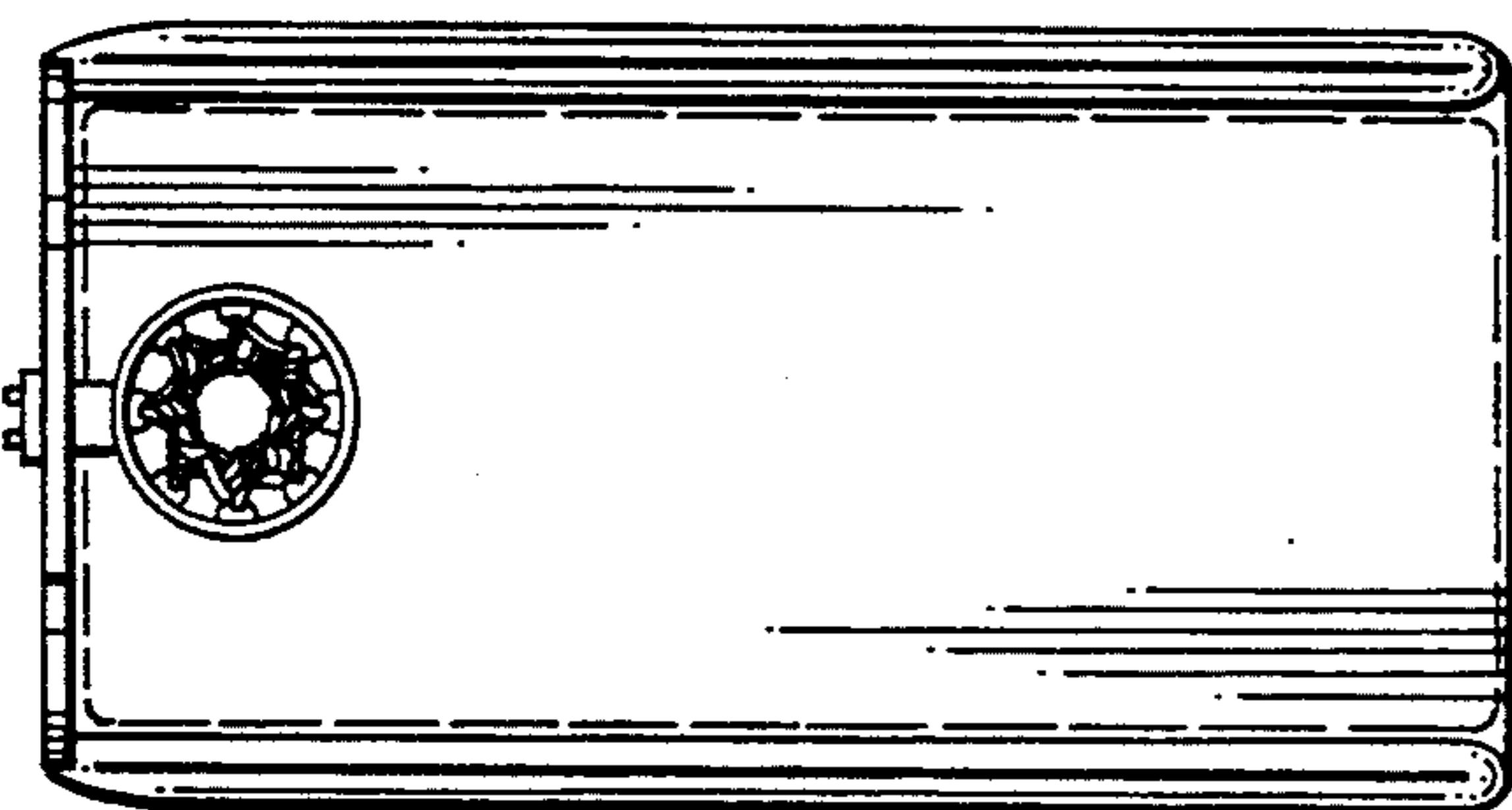


FIG. 5

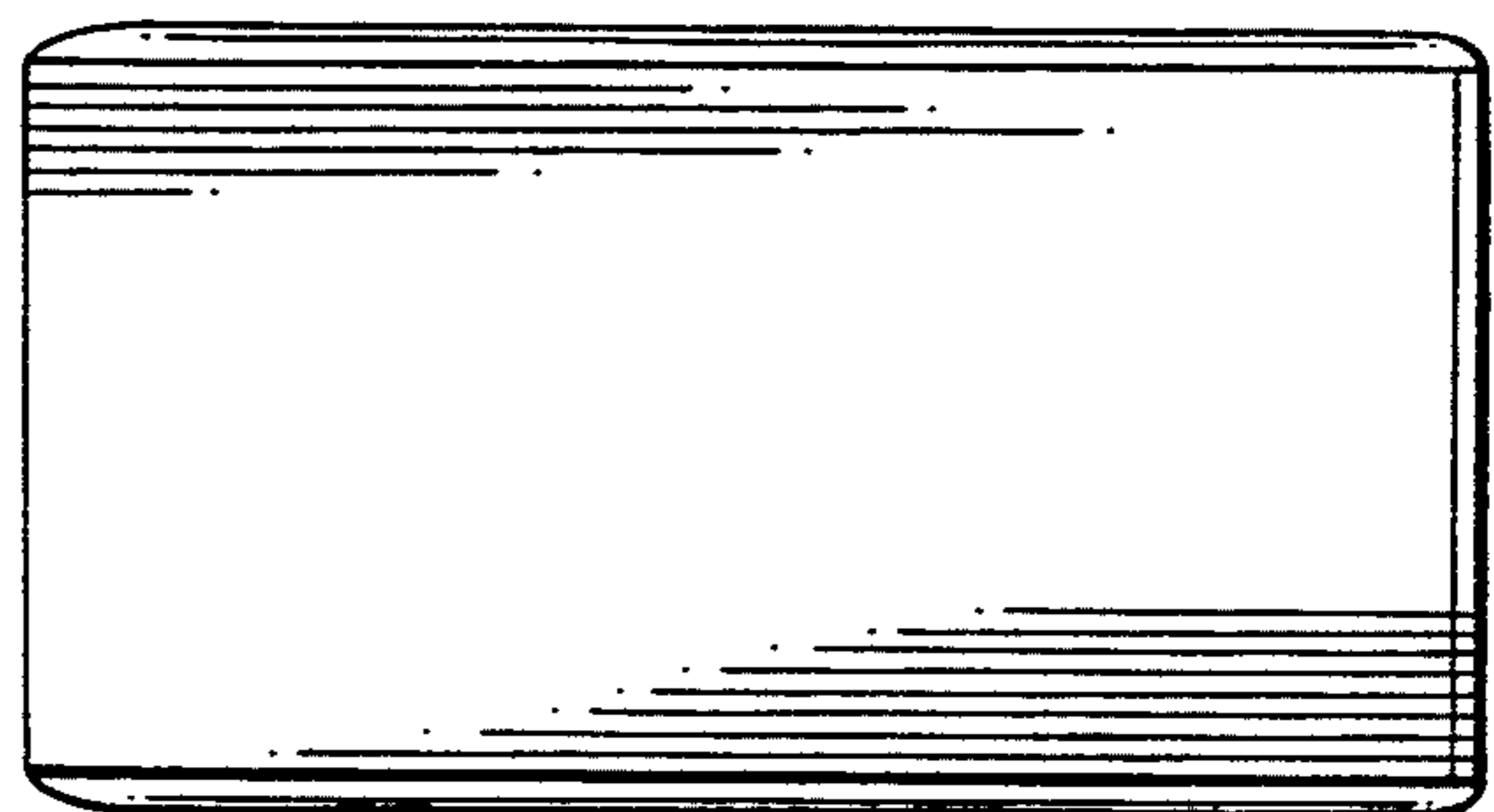


FIG. 6