



US00D356895S

United States Patent [19]

[11] Patent Number: **Des. 356,895**

Romersa et al.

[45] Date of Patent: **** Apr. 4, 1995**

[54] **HAT SUPPORT**

D. 274,803 5/1978 Hawk D8/373
4,583,646 4/1986 Bowman 211/32

[76] Inventors: **Mitchell J. Romersa**, 11600 SW.
Grabhorn Rd., Beaverton, Oreg.
97007; **Lawrence Cohen**, 18131
Deerbrush Ave., Lake Oswego,
Oreg. 97035

Primary Examiner—Brian N. Vinson
Attorney, Agent, or Firm—Kolisch, Hartwell, Dickinson
McCormack & Heuser

[**] Term: **14 Years**

[57] **CLAIM**

The ornamental design for hat support, as shown and described.

[21] Appl. No.: **14,493**

DESCRIPTION

[22] Filed: **Oct. 22, 1993**

[52] U.S. Cl. **D6/320**

[58] Field of Search D6/513, 552, 553, 320,
D6/323, 327; D8/349, 354, 367, 373; 211/30,
32, 34-35, 88, 134; 248/220.2, 309.1, 312, 312.1,
315

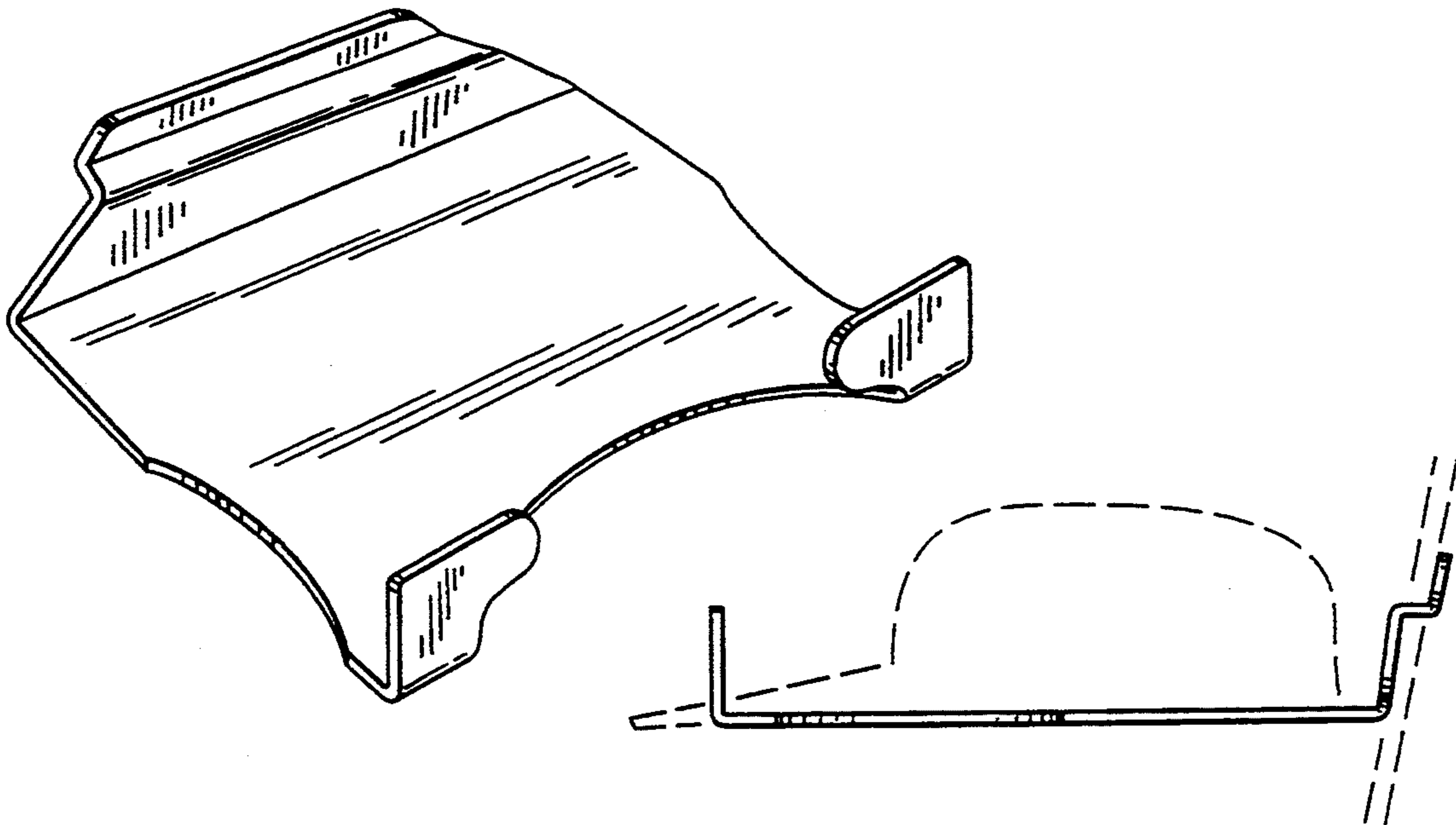
FIG. 1 is a top, front, and left side perspective view of a hat support showing our new design;
FIG. 2 is a top plan view thereof;
FIG. 3 is a right side elevational view thereof, the left side being a mirror image of that shown;
FIG. 4 is a front elevational view thereof;
FIG. 5 is a rear elevational view thereof; and,
FIG. 6 is a bottom plan view thereof.

The broken-line disclosure of a hat, or portions thereof, in the views is for illustrative purposes only and forms no part of the claimed design.

[56] **References Cited**

U.S. PATENT DOCUMENTS

D. 154,472 7/1949 Giuliana D8/373
D. 157,925 3/1950 Todd D8/373



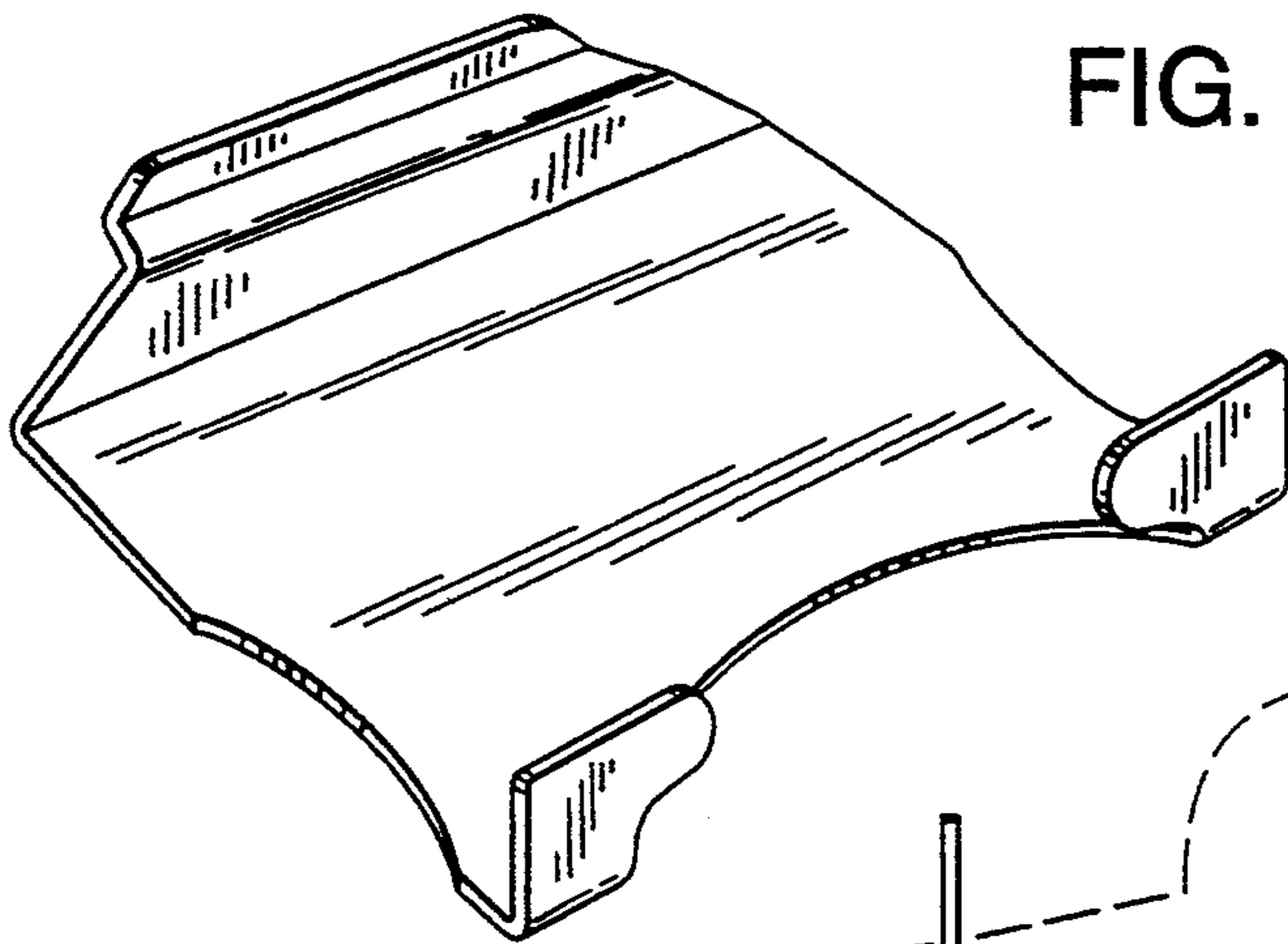


FIG. 1

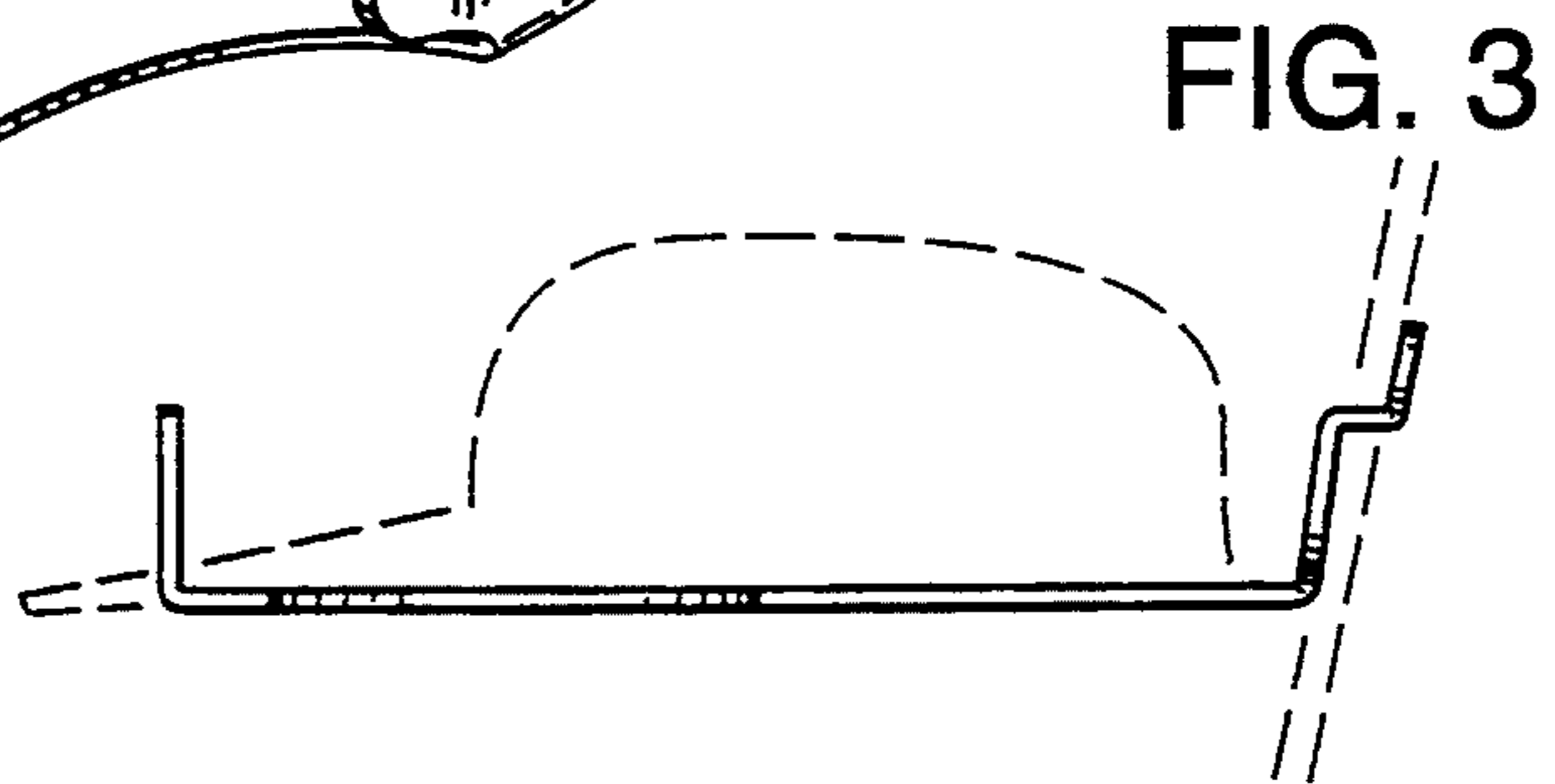


FIG. 3

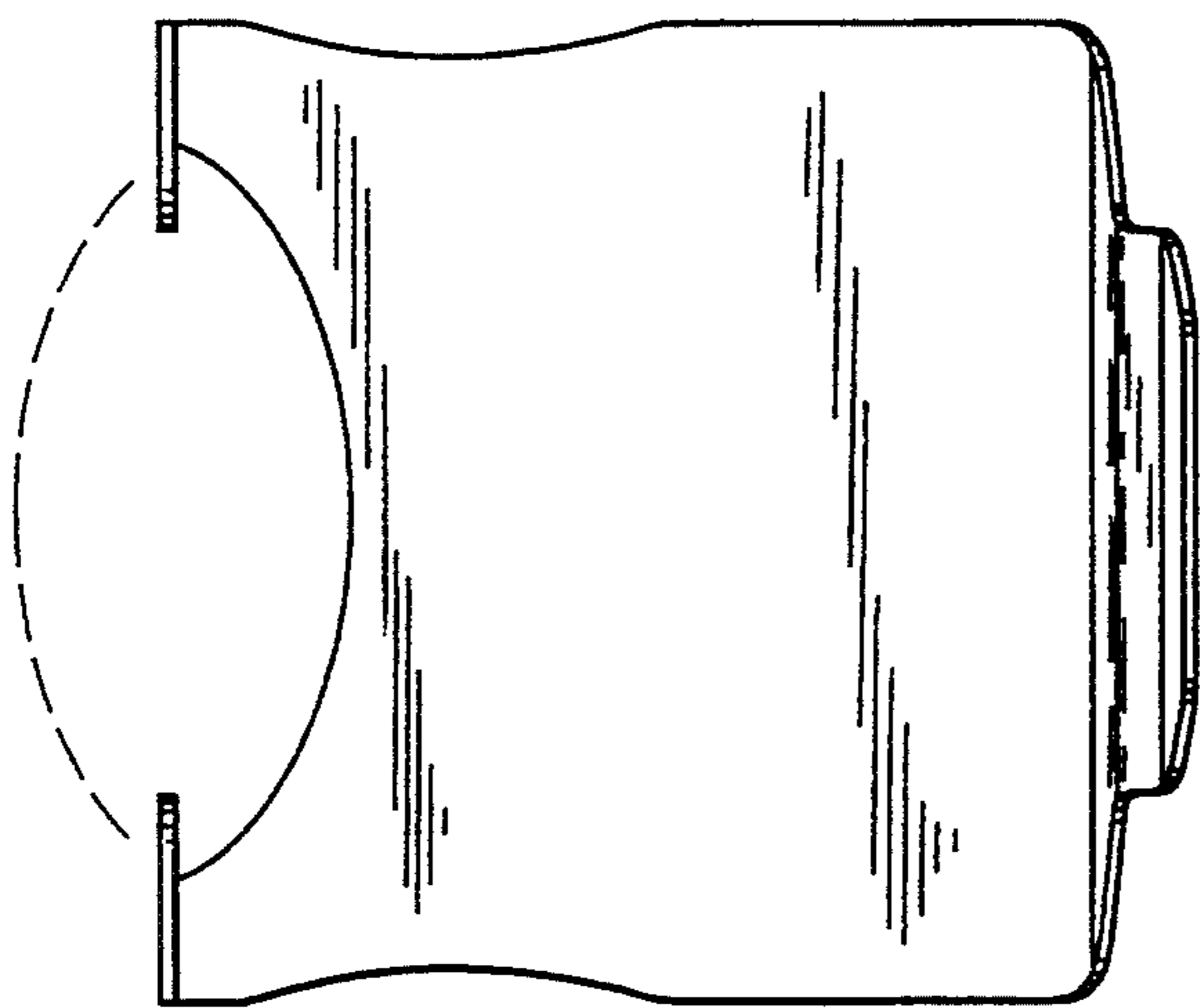


FIG. 2

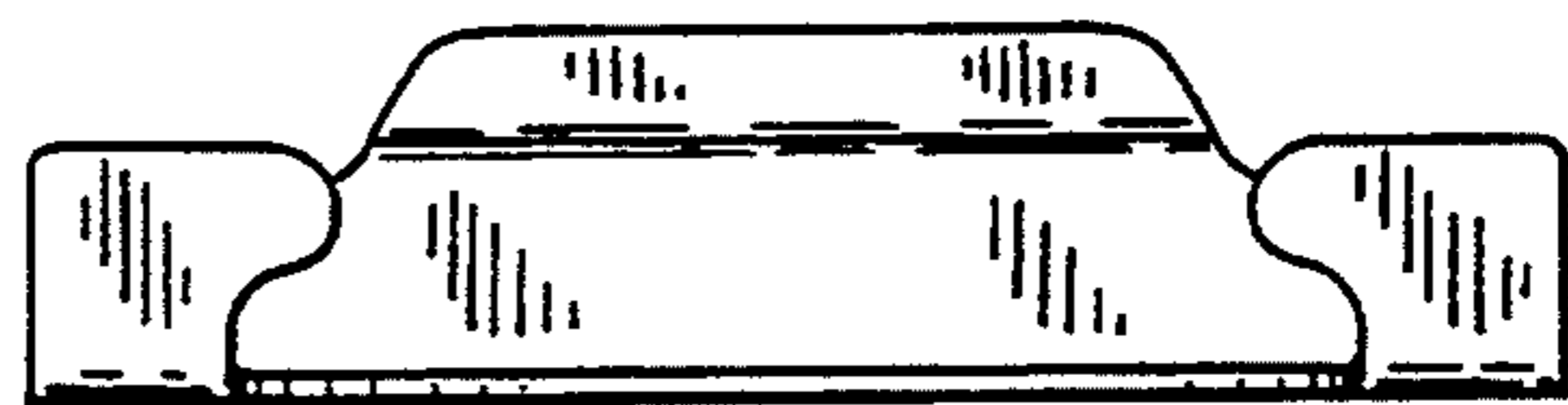


FIG. 4

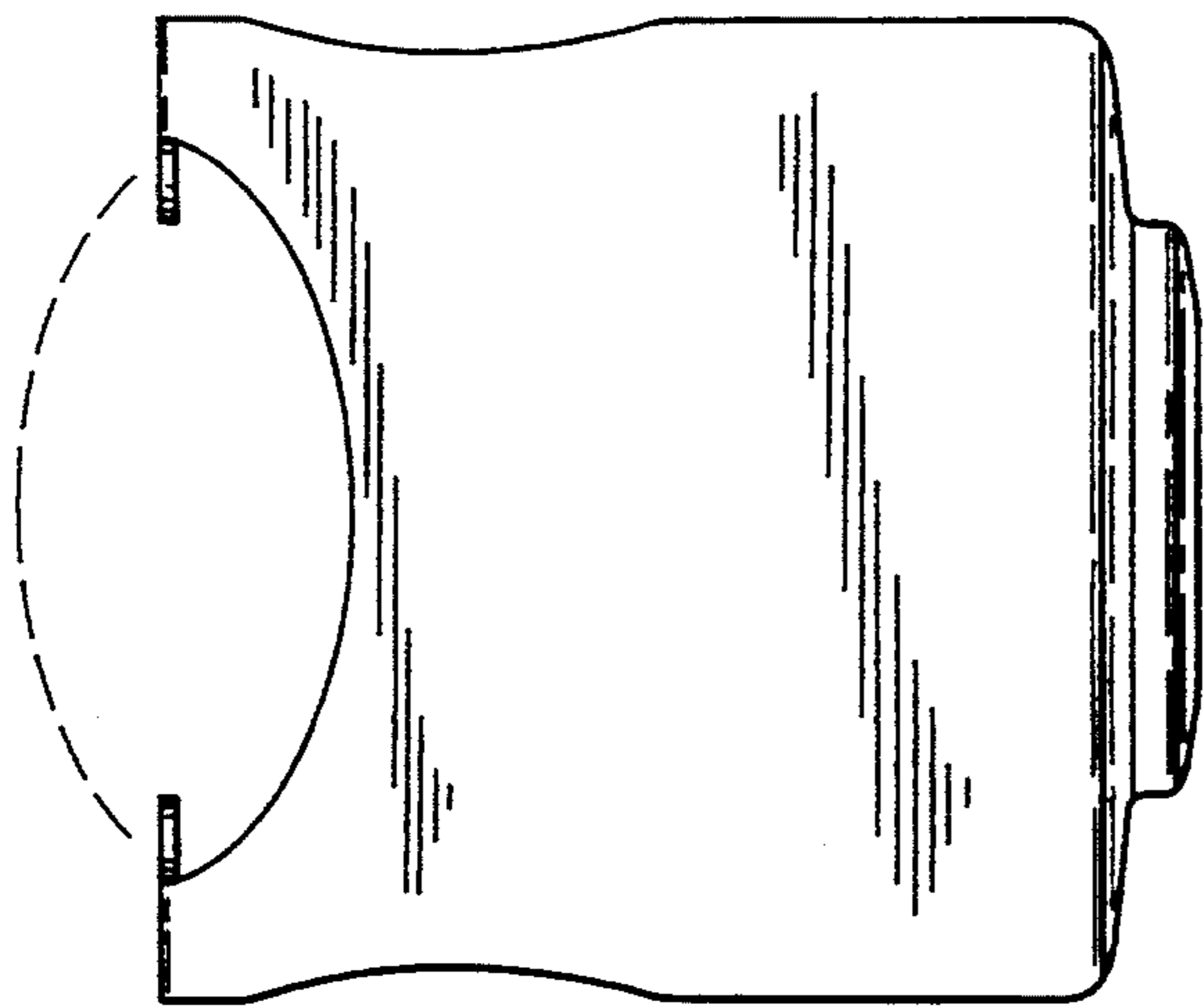


FIG. 6

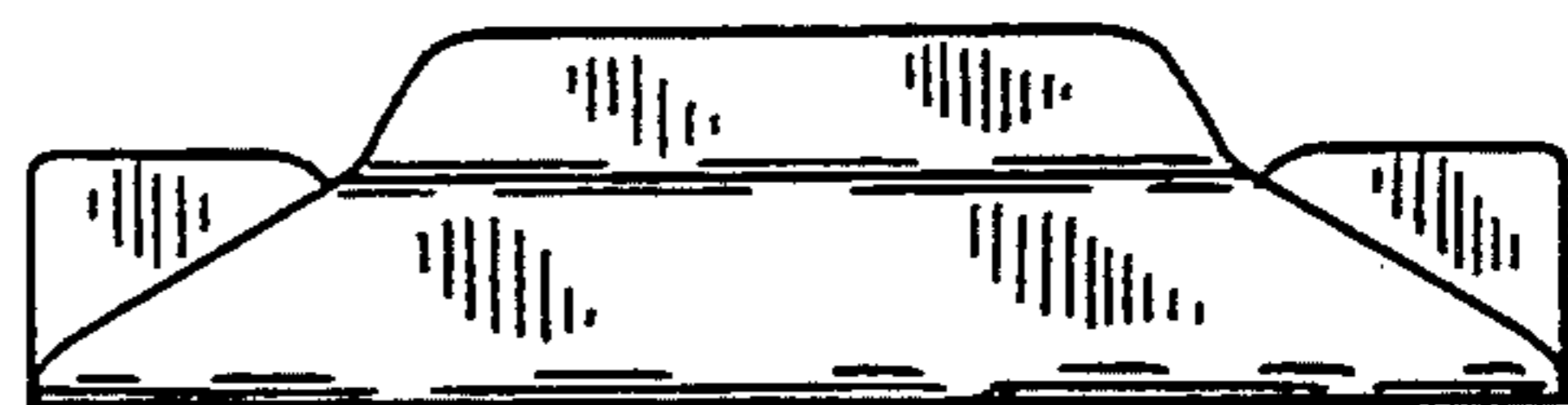


FIG. 5