



US00D356894S

# United States Patent [19]

[11] Patent Number: **Des. 356,894**

Andersson

[45] Date of Patent: **\*\* Apr. 4, 1995**

[54] **CLOTHES-HANGER**

2,617,565 11/1952 Suydam ..... 223/87  
2,917,212 12/1959 Parker ..... D6/317

[76] Inventor: **Per O. Andersson**, P.O. Box 310,  
S-82077 Gnarp, Sweden

*Primary Examiner*—B. J. Bullock  
*Attorney, Agent, or Firm*—Notaro & Michalos

[\*\*] Term: **14 Years**

[57] **CLAIM**

[21] Appl. No.: **8,110**

The new and ornamental design for a clothes-hanger, as shown.

[22] Filed: **May 7, 1993**

[30] **Foreign Application Priority Data**

**DESCRIPTION**

Nov. 13, 1992 [SE] Sweden ..... 92-2403

[52] U.S. Cl. .... **D6/319; D6/315**

[58] Field of Search ..... D6/315, 317-319;  
211/113, 118, 119; 223/85, 87, 88, 90-96

FIG. 1 is a forward perspective view of a foldable clothes-hanger in the folded state showing my new design;

FIG. 2 is a rear perspective view of the hanger according to FIG. 1;

FIG. 3 is a forward perspective view of the hanger according to FIG. 1 in the extended state; and,

FIG. 4 is a rear perspective view of the hanger according to FIG. 3.

[56] **References Cited**

**U.S. PATENT DOCUMENTS**

1,760,352 5/1930 Feigelman ..... 223/92  
2,387,681 10/1945 Reed et al. .... 223/87

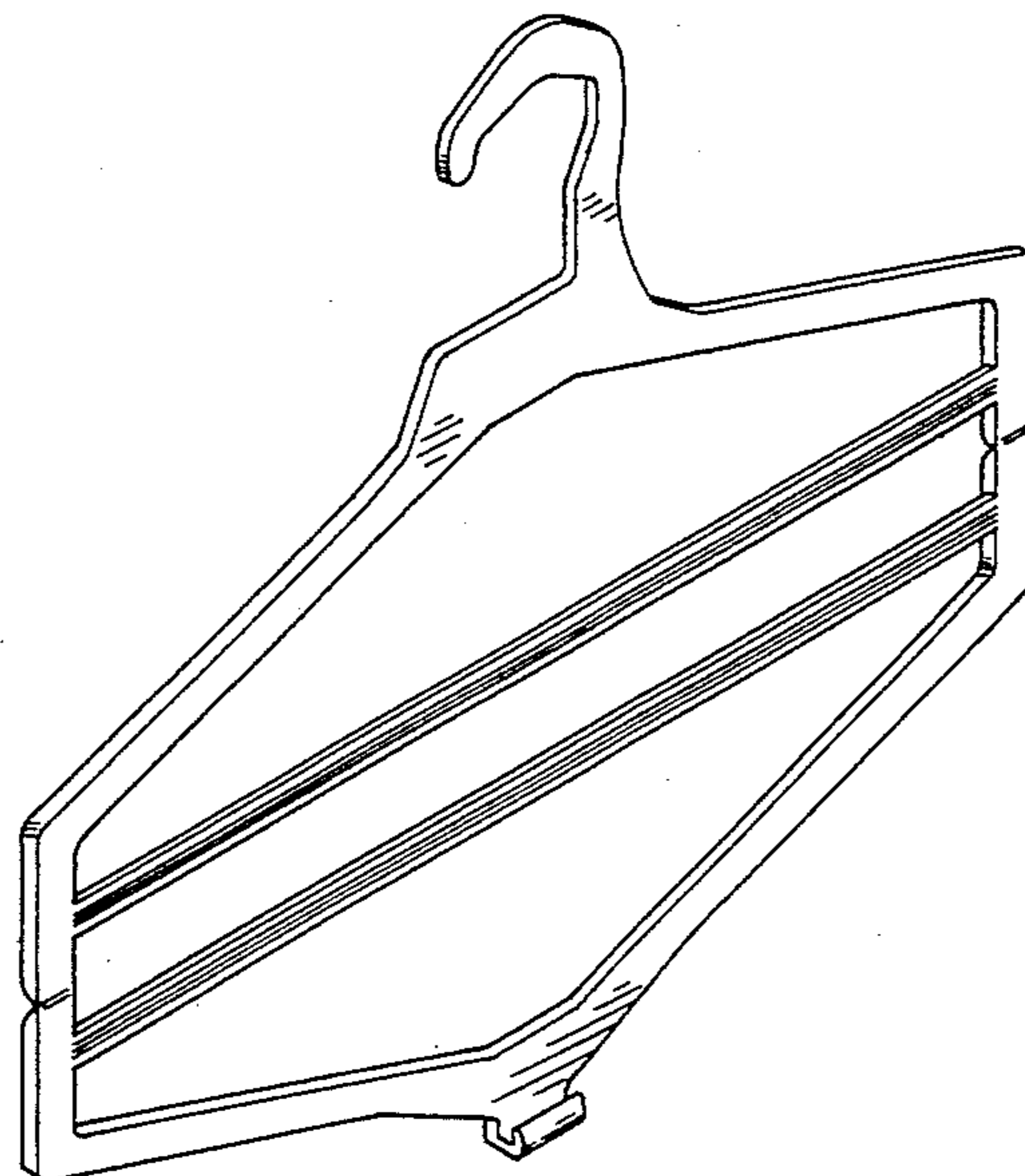
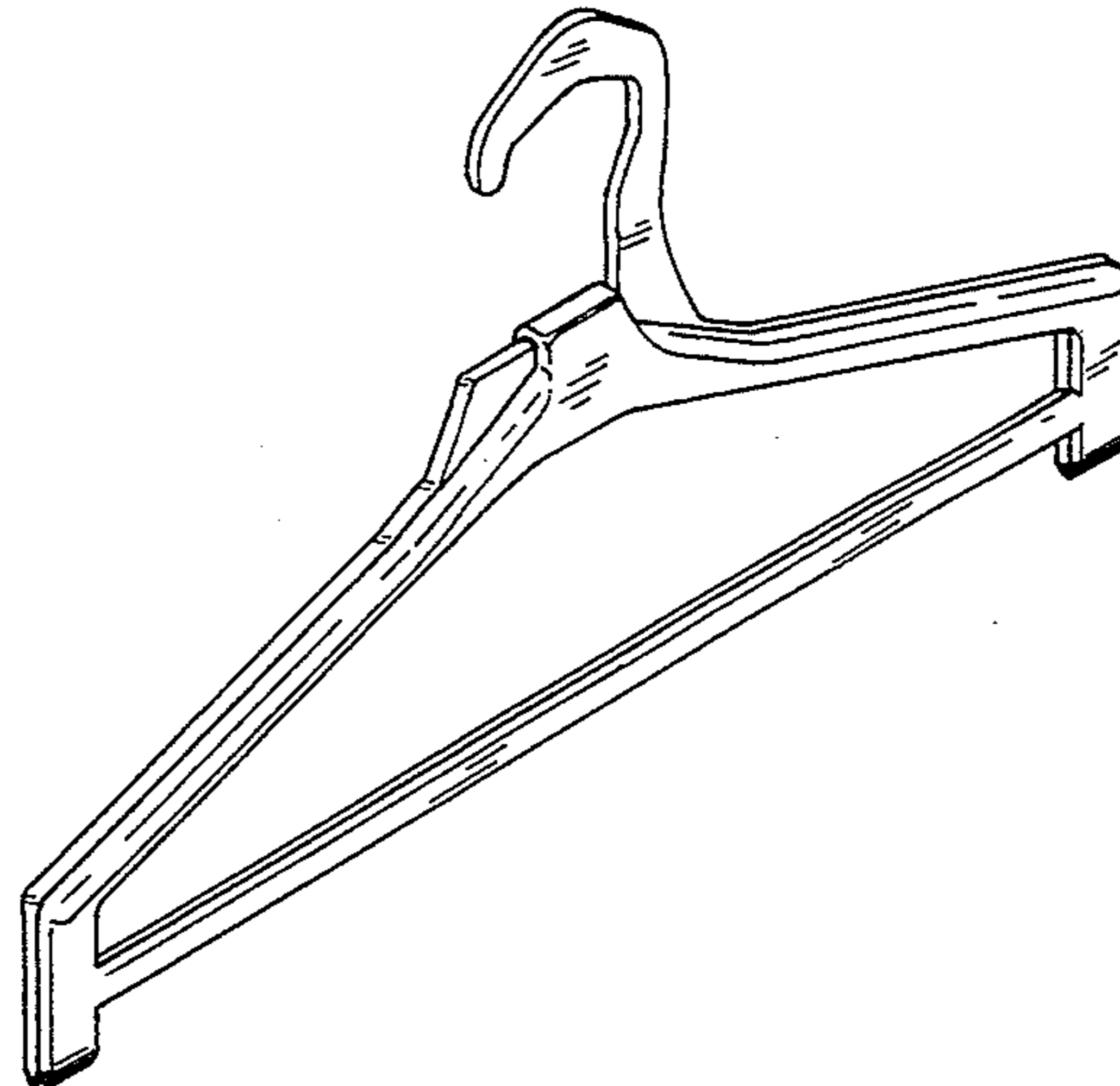


FIG. 3: Forward perspective view of the hanger in the extended state. The vertical bar is extended outward, and the bottom bar is also extended outward.

FIG. 4: Rear perspective view of the hanger in the extended state. It shows the back of the hook, the horizontal bar, and the extended vertical and bottom bars.

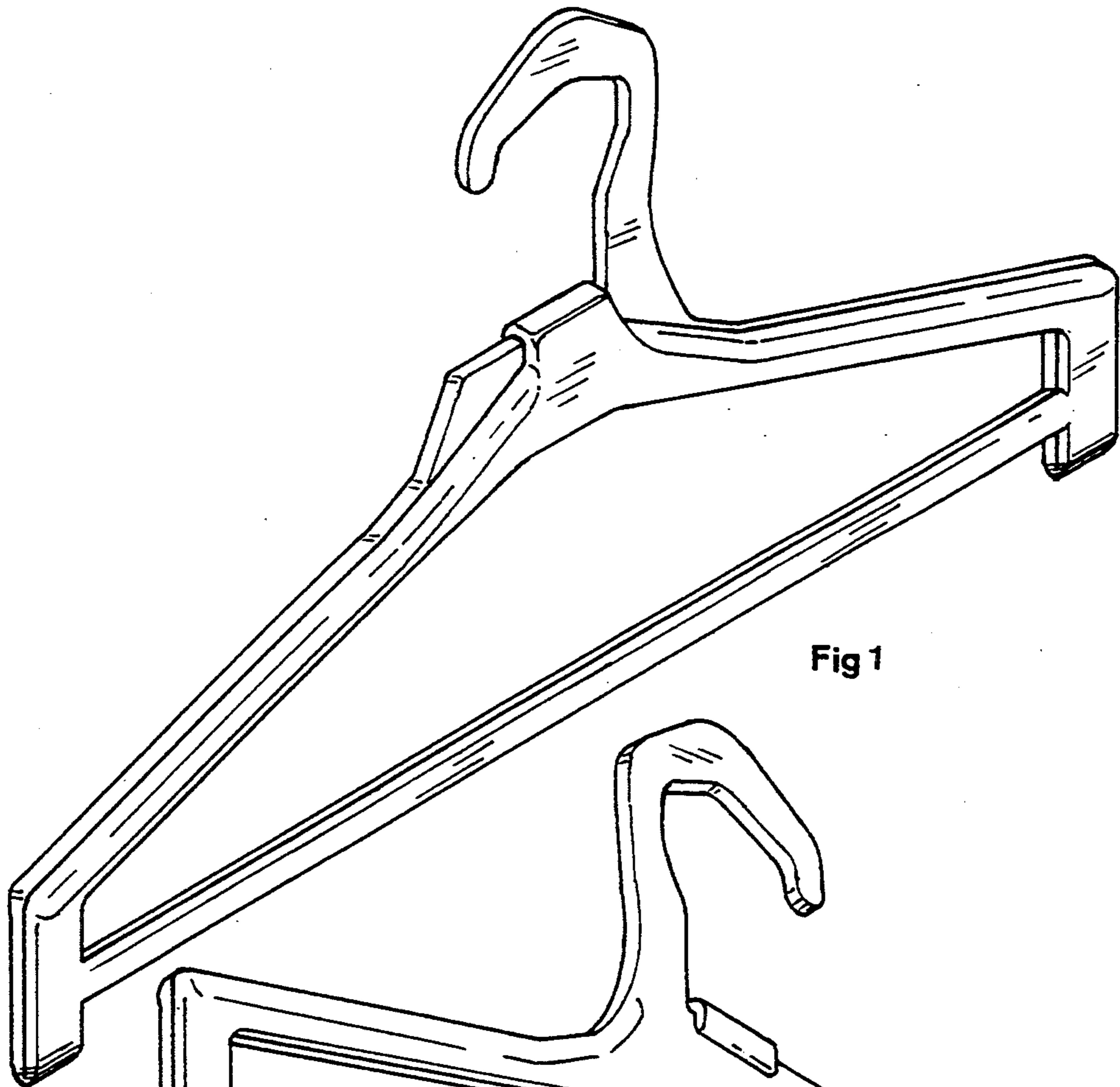


Fig 1

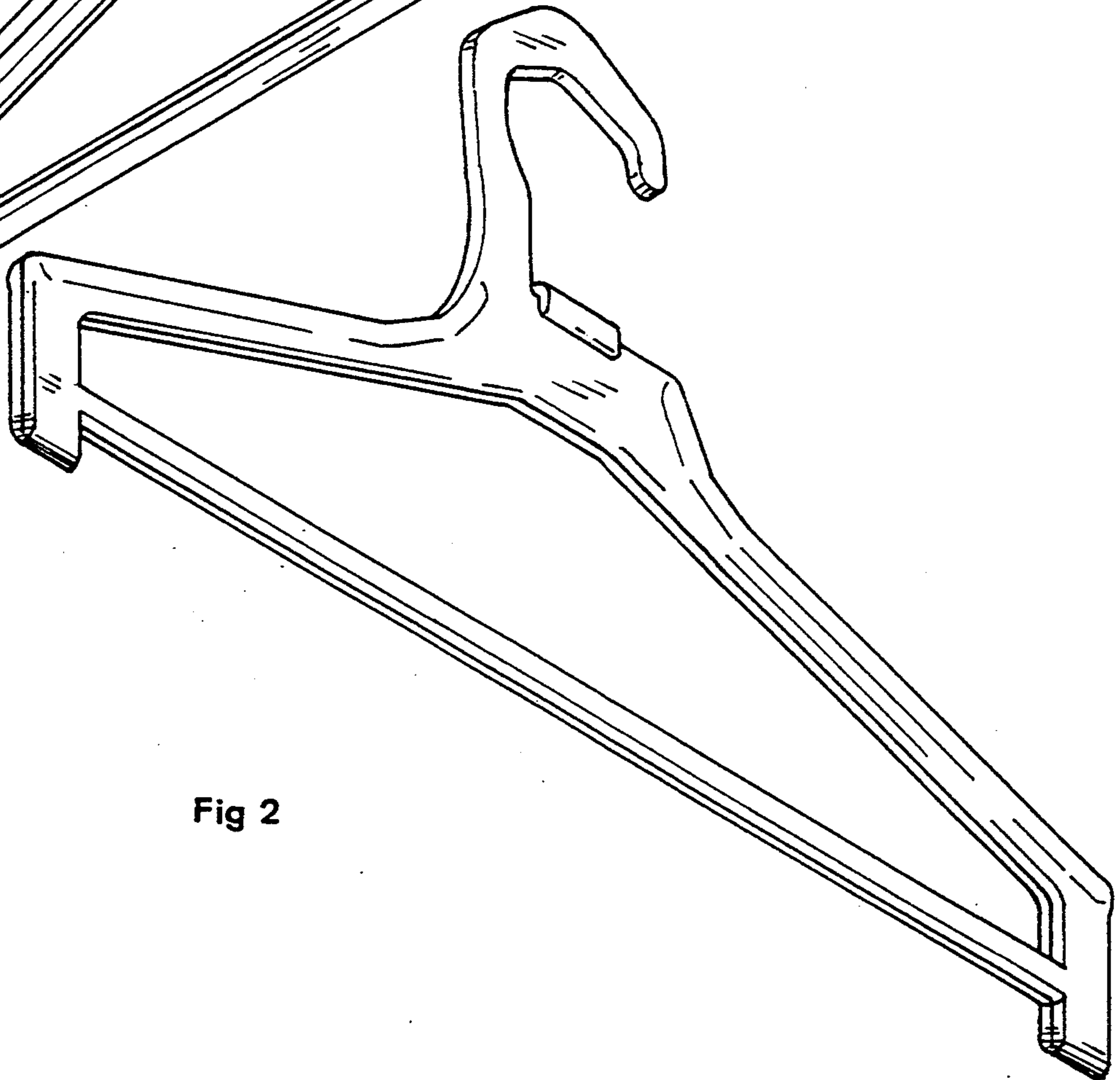


Fig 2

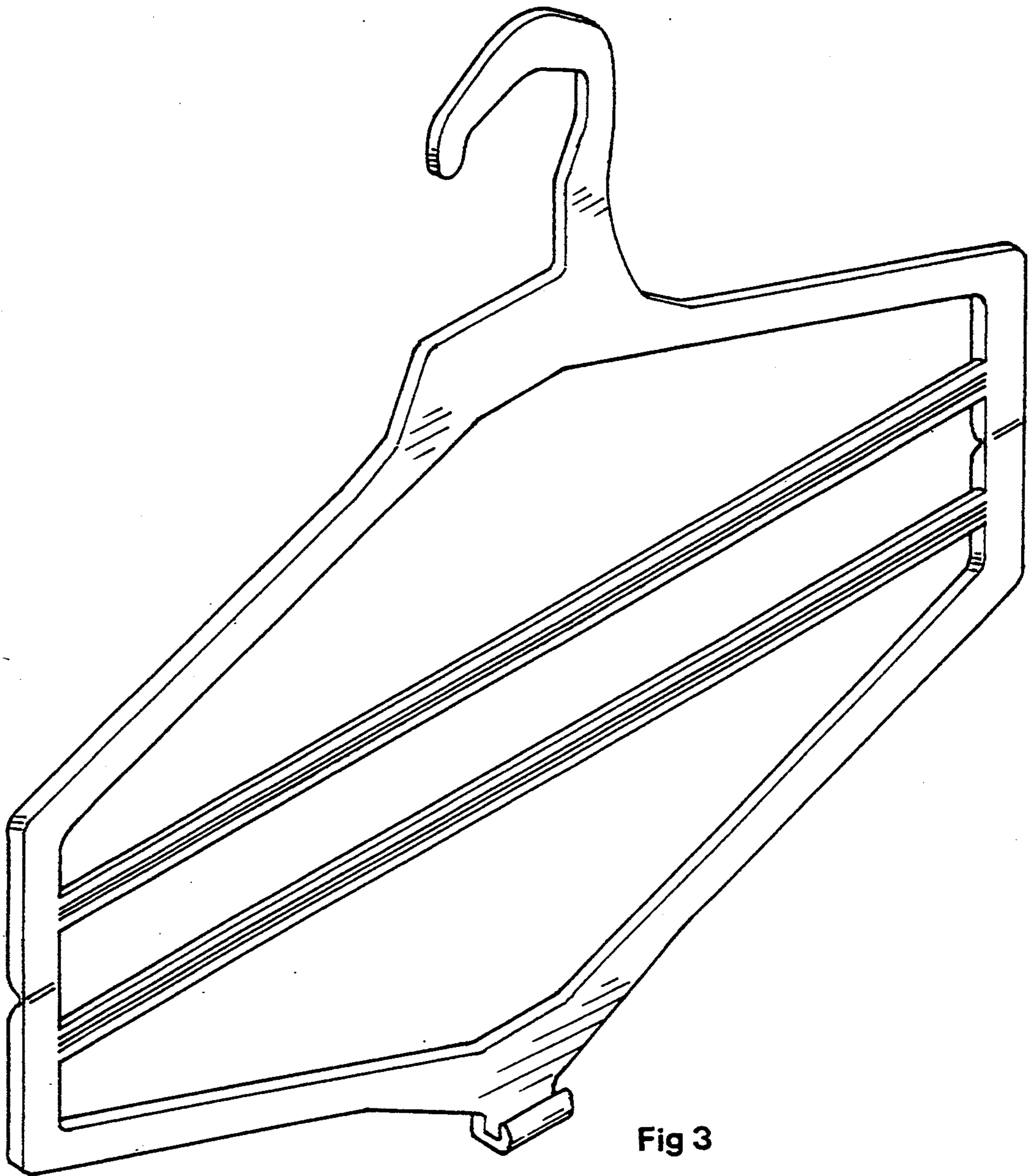


Fig 3

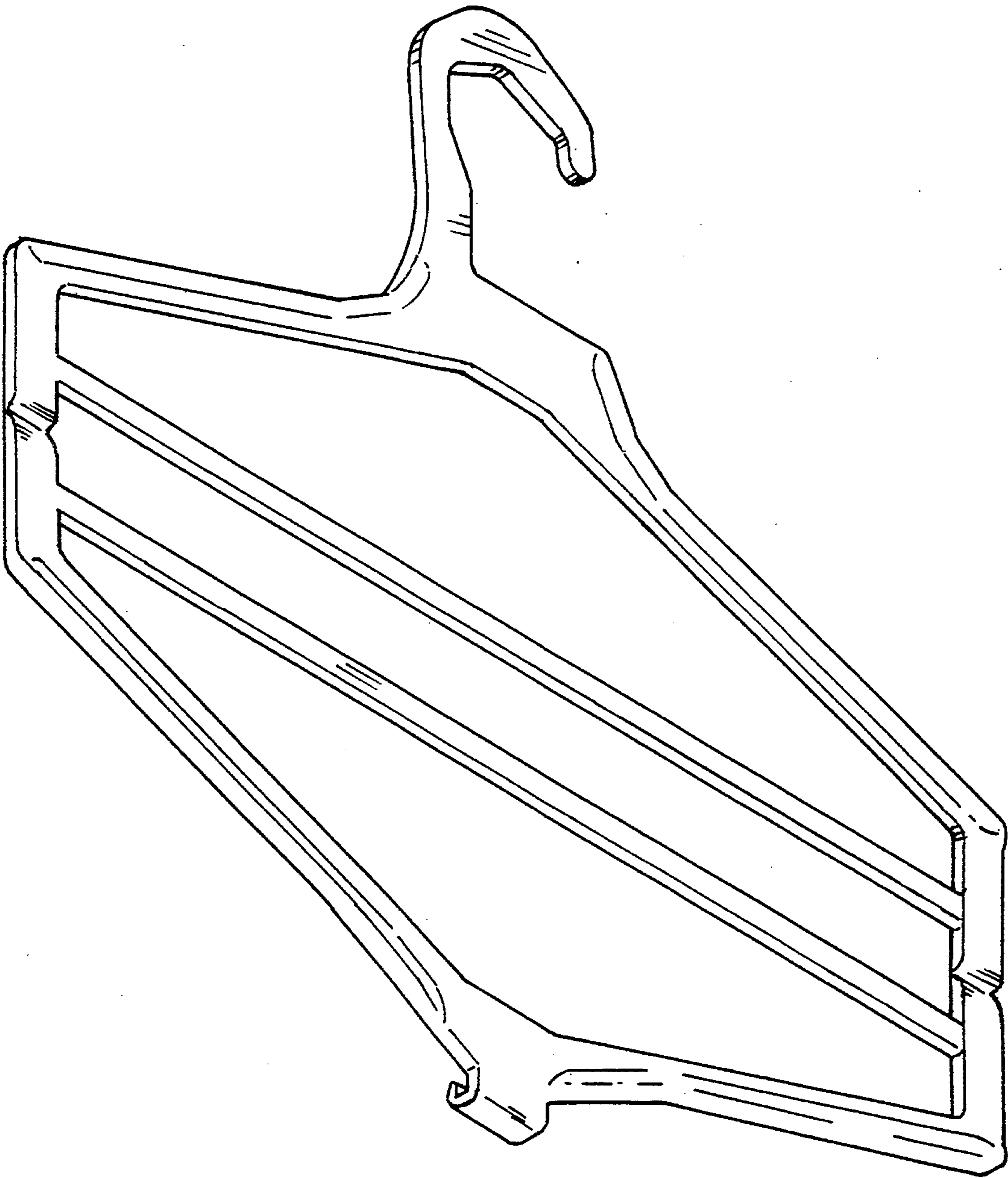


Fig 4