



US00D356892S

# United States Patent [19]

[11] Patent Number: **Des. 356,892**

Ricci

[45] Date of Patent: **\*\* Apr. 4, 1995**

- [54] **COMBINED CLEAT CLEANING BRUSH AND CLAMP**
- [76] Inventor: **Ralph Ricci, 6556 Kitchner St., Burnaby, B.C. CN V5B-2J6, Canada**
- [\*\*] Term: **14 Years**
- [21] Appl. No.: **5,938**
- [22] Filed: **Mar. 15, 1993**
- [52] U.S. Cl. .... **D4/116**
- [58] Field of Search ..... **D4/116, 121, 130, 134, D4/136, 138, 199; D21/234; 15/105, 112, 143.1, 159.1, 160, 161**

- 4,866,805 9/1989 Oden et al. .
- 5,077,858 1/1992 Lewis, Jr. .

*Primary Examiner*—Wallace R. Burke  
*Assistant Examiner*—Lavone D. Tabor  
*Attorney, Agent, or Firm*—Terry M. Gernstein

### [57] CLAIM

The ornamental design for a combined cleat cleaning brush and clamp, as shown and described.

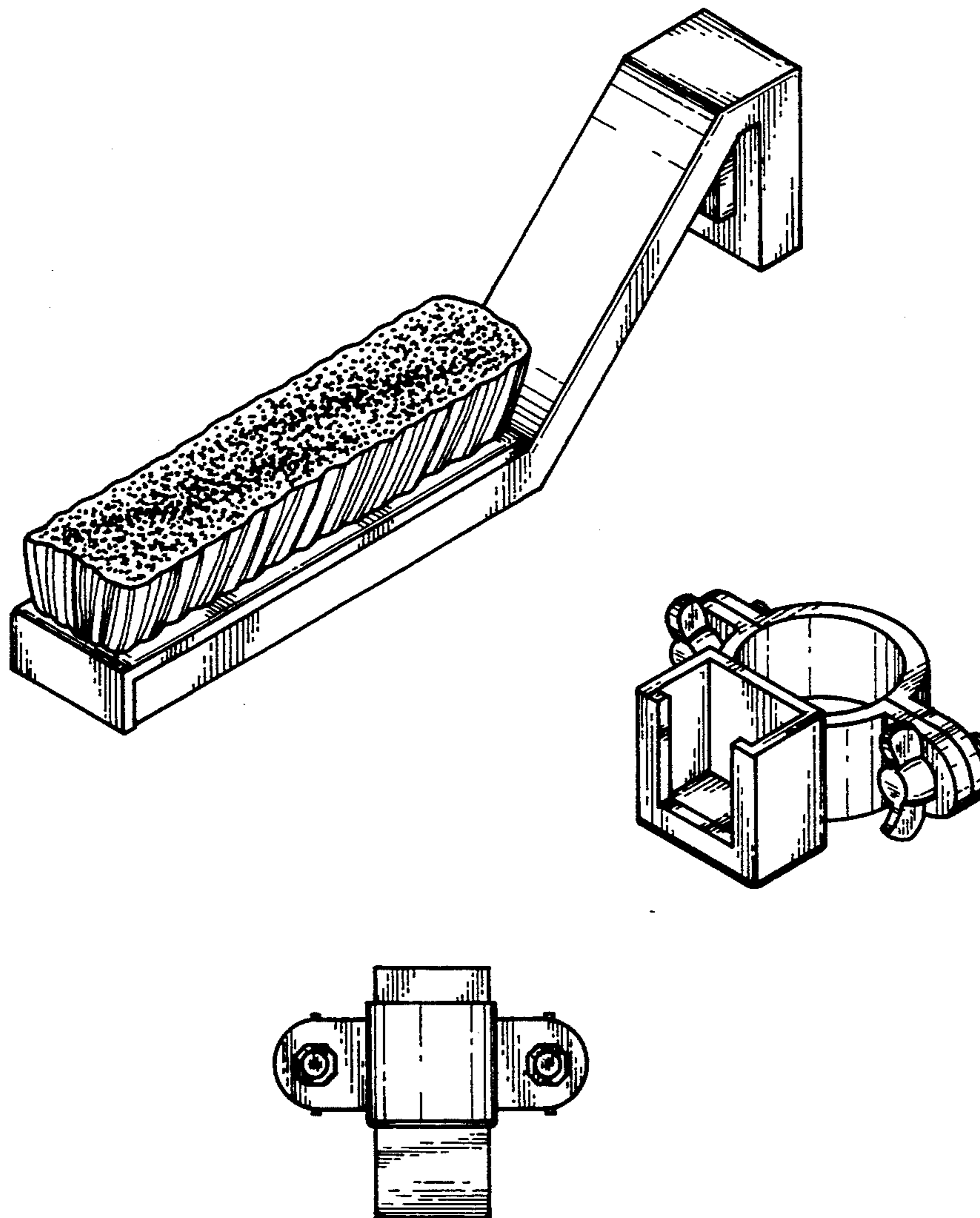
### DESCRIPTION

FIG. 1 is an exploded perspective view of a combined cleat cleaning brush and clamp showing my new design; FIG. 2 is a front end elevational view thereof shown in assembled condition; FIG. 3 is a rear end elevational view thereof; FIG. 4 is a side elevational view thereof, the side opposite being a mirror image of the side shown in FIG. 4; FIG. 5 is a top plan view thereof; and, FIG. 6 is a bottom plan view thereof.

### [56] References Cited

#### U.S. PATENT DOCUMENTS

- |            |        |                    |        |
|------------|--------|--------------------|--------|
| D. 334,843 | 4/1993 | Curtis et al. .... | D4/121 |
| 3,028,617  | 4/1962 | Racina .....       | 15/160 |
| 3,142,853  | 8/1964 | Hensley .....      | 15/160 |
| 4,571,767  | 2/1986 | Dangler .          |        |



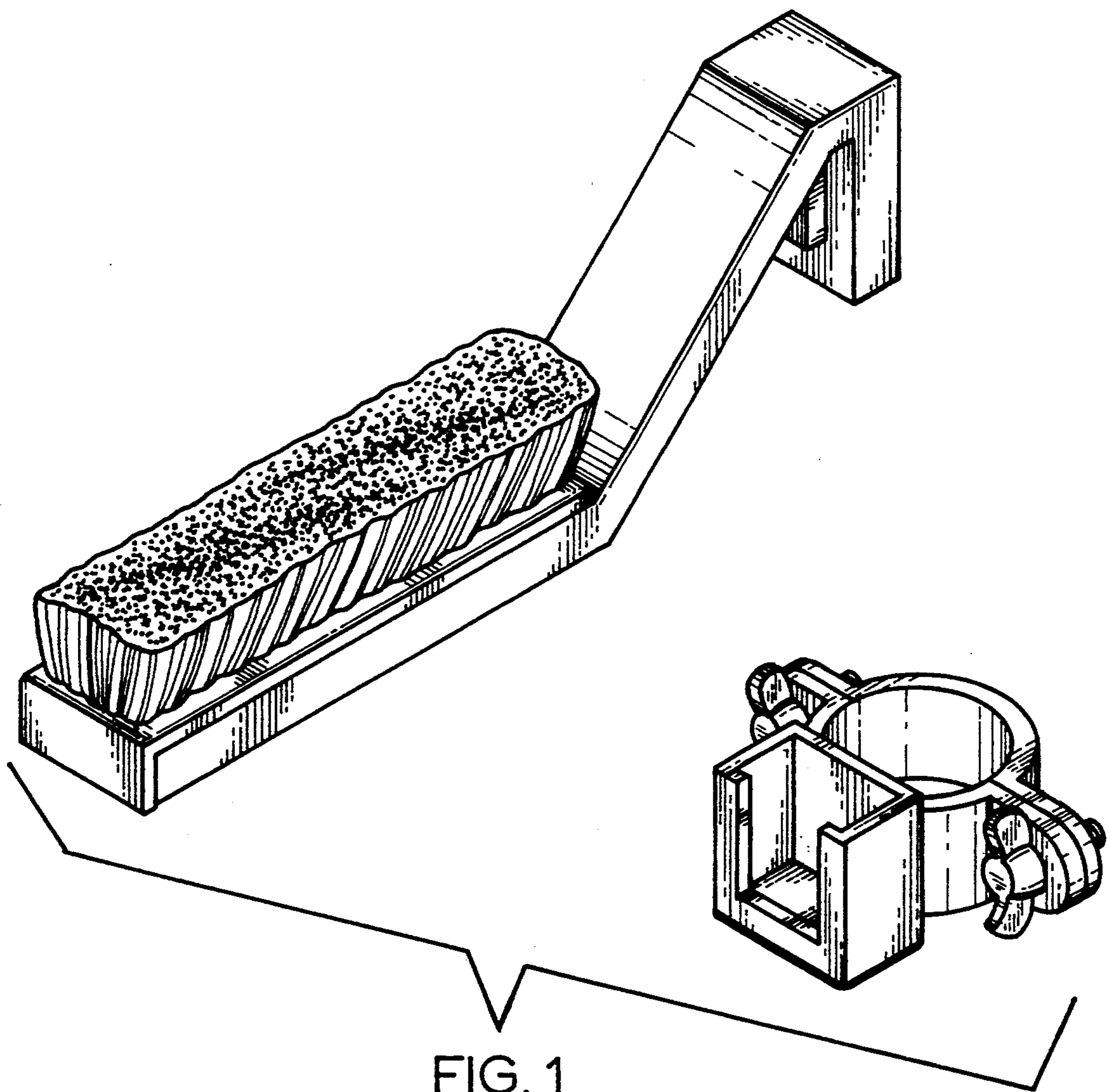


FIG. 1

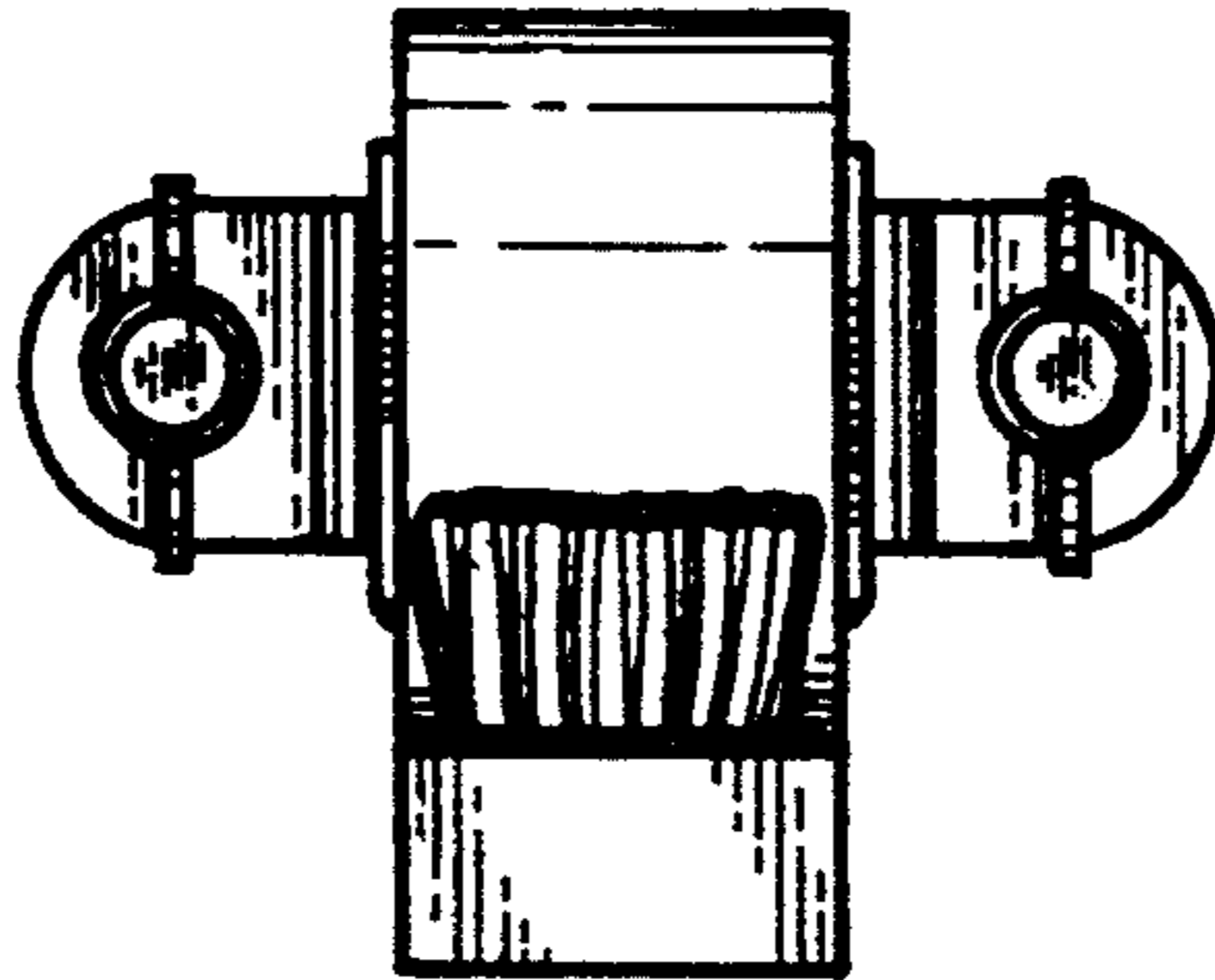


FIG. 2

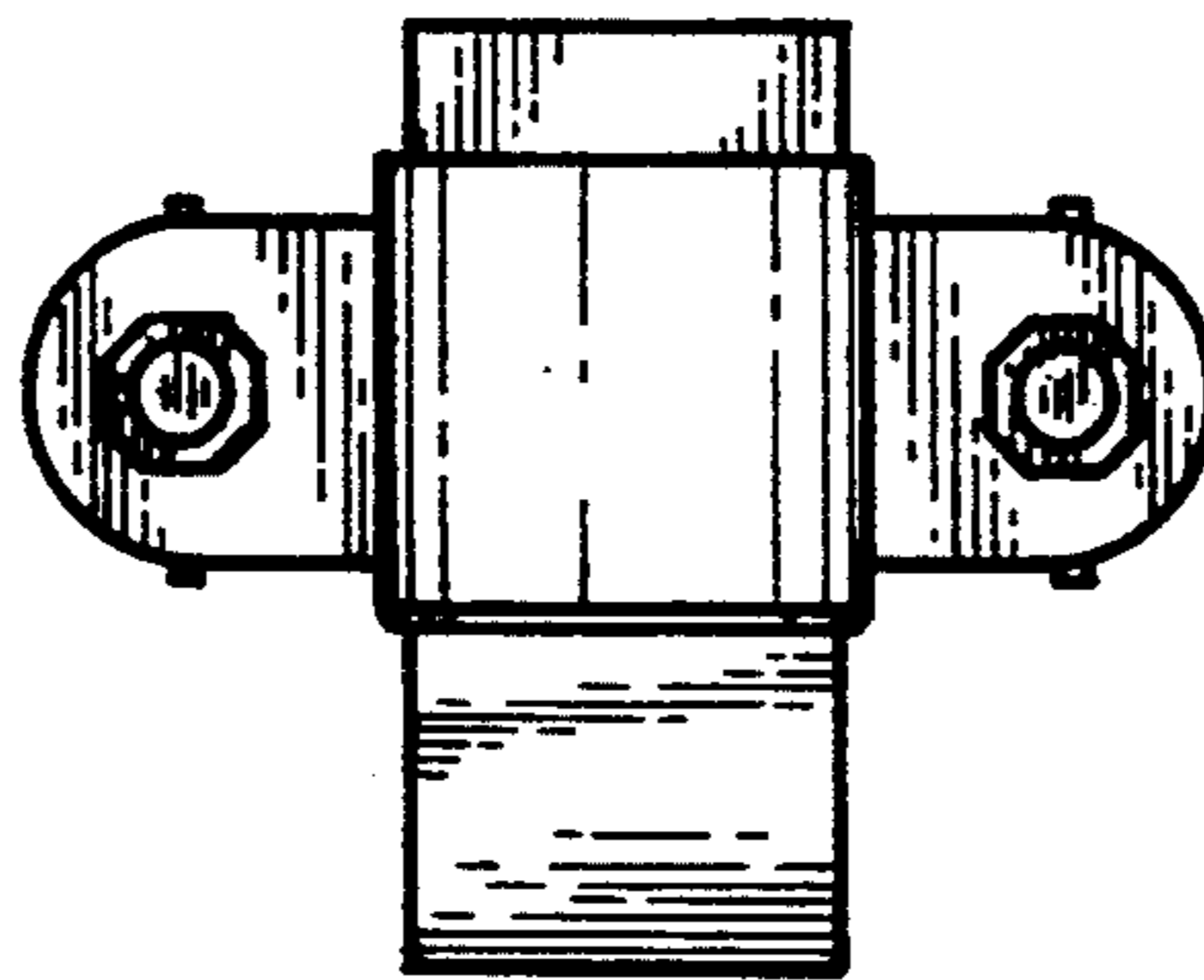


FIG. 3

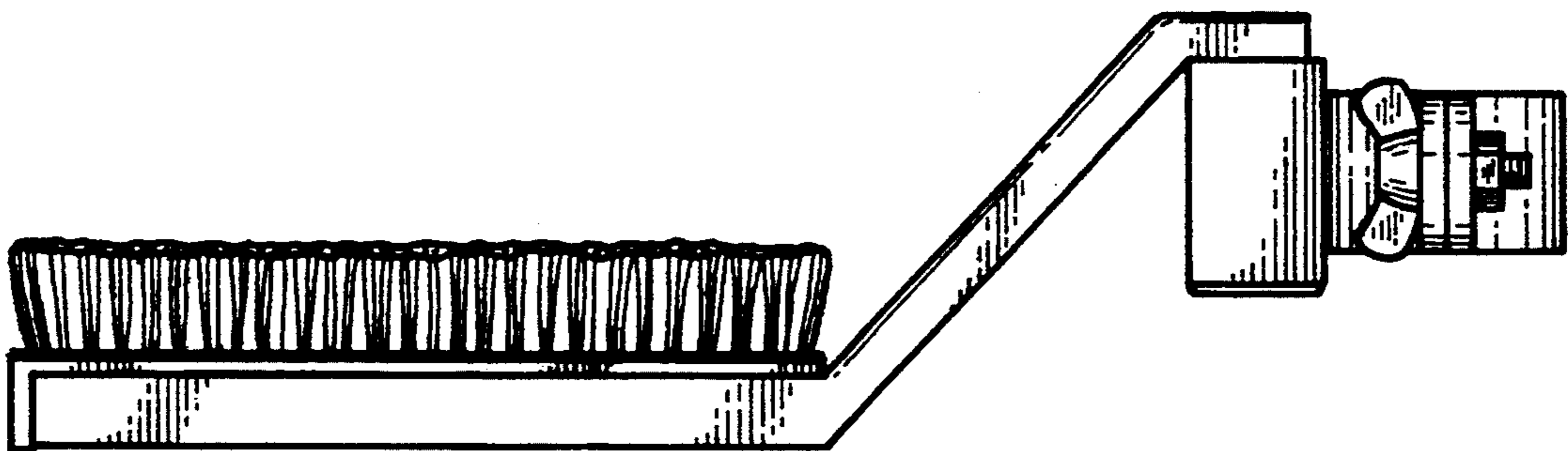


FIG. 4

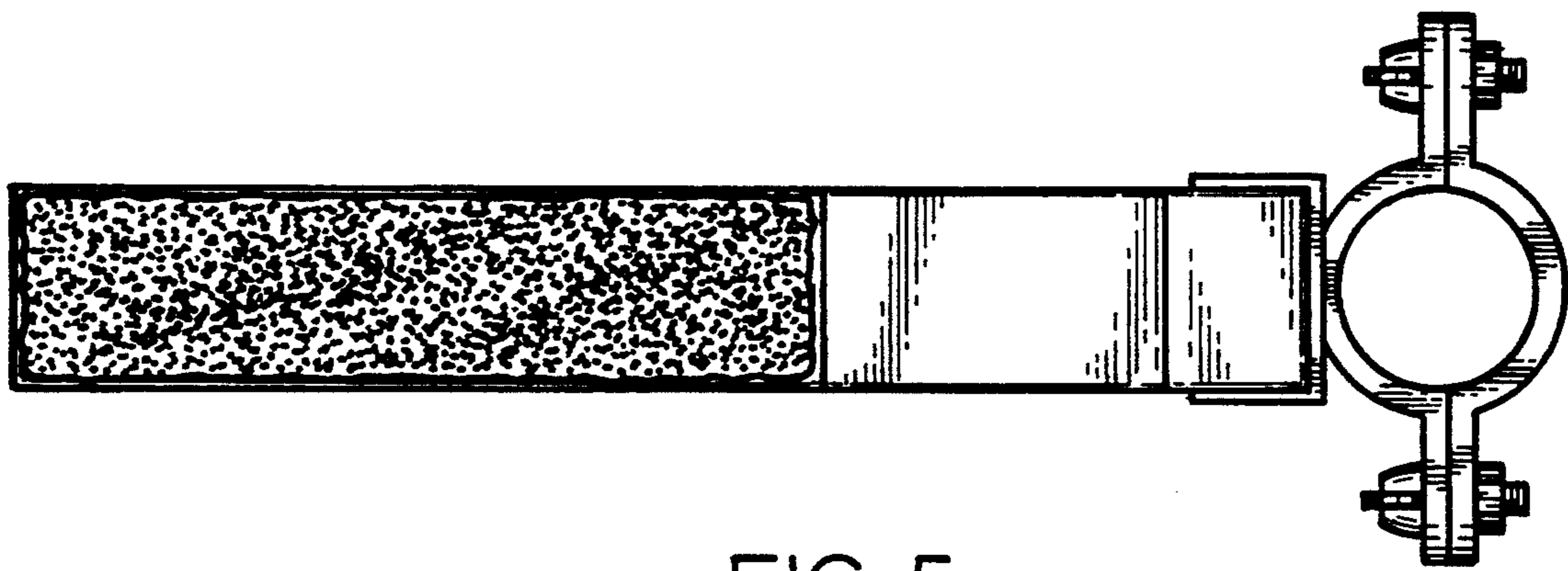


FIG. 5

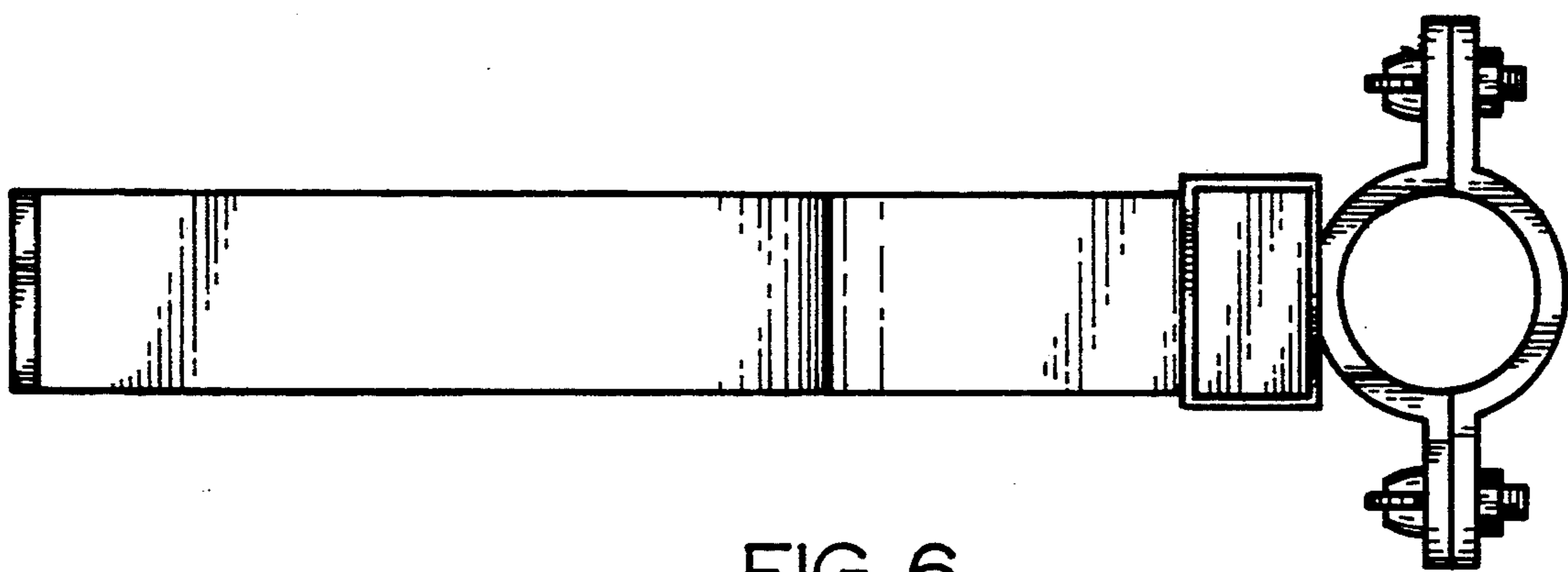


FIG. 6