



US00D356891S

United States Patent [19]

Hobson

[11] Patent Number: **Des. 356,891**

[45] Date of Patent: *** Apr. 4, 1995**

[54] **STORAGE CASE**

[75] Inventor: **Jody A. Hobson**, Rocky River, Ohio

[73] Assignee: **Rubbermaid Incorporated**, Wooster, Ohio

[*] Notice: The portion of the term of this patent subsequent to Sep. 15, 2006 has been disclaimed.

[**] Term: **14 Years**

[21] Appl. No.: **736,905**

[22] Filed: **Jul. 29, 1991**

[52] U.S. Cl. **D3/294; D3/201**

[58] Field of Search **D3/30.1, 35, 74, 78, D3/294; D9/425, 424; 206/1.5, 515; 220/675**

[56] **References Cited**

U.S. PATENT DOCUMENTS

D. 183,777	10/1958	Weiss	D9/425
D. 239,695	4/1976	Fier, Jr.	D9/425
D. 252,354	7/1979	Uyeda	D3/30.1
D. 277,797	2/1985	Chabot	D9/425
D. 293,279	12/1987	Evans	D3/35
D. 302,774	8/1989	Murphy	D7/76
D. 305,774	8/1989	Murphy	D9/425
D. 308,340	6/1990	Ilsen et al.	D9/425
D. 329,331	9/1992	Hobson	D3/78
D. 330,161	10/1992	Schuh	D9/425
D. 330,329	10/1992	Brightbill	D3/30.1
D. 333,783	3/1993	Perugini	D9/424
3,383,009	5/1968	Werkert	D9/425

OTHER PUBLICATIONS

Sell Sheet, Store N' Save Box, Sterilite Corporation, P.O. Box 524, Main St., Townsend, Mass. Publication date Nov., 1986.

Sell Sheet, Tote Bins, Sterilite Corporation, P.O. Box 524, Main Street, Townsend, Mass. Publication date Jan., 1989.

Sell Sheet, Storage Box, Sterilite Corporation, P.O. Box 524, Main Street, Townsend, Mass. Publication date 1989.

Sell Sheet, Storage Boxes, Sterilite Corporation, P.O. Box 524, Main Street, Townsend, Mass. Publication date 1988.

P. 7, Plastic Space Savers, Tamor Plastics Corporation,

Consumer Products Division, P.O. Box 1186, Leominster, Mass. 01453. Publication date Jan., 1989.

Sell Sheet, Stackable Storage Box, Jokari/US, Inc., 4715 McEwen Road, Dallas, Tex. 75244. Publication date 1986.

Sell Sheet, Stackable Storage Box, Jokari/US, Inc., 4715 McEwen Road, Dallas, Tex. 75244. Publication date 1986.

Sell Sheet, Pastel Colors, Tucker Housewares, Subsidiary of Kidde, Inc., 345 Central Street, Leominster, Mass. 01453. Publication date Apr., 1984.

Catalog Page, Closet Organizer, Tucker Housewares, Subsidiary of Kidde, Inc., 345 Central Street, Leominster, Mass. 01453. Publication date Jan., 1989.

Catalog Page, Storage Container, Tucker Housewares, Subsidiary of Kidde, Inc., 345 Central Street, Leominster, Mass. 01453. Publication date Jan., 1989.

Catalog Page, Utility Boxes, Stor-all; Coast-to-Coast Container Corp., 94 Pinwood Gardens, Hartsdale, N.Y. 10530. Publication date Jan., 1989.

P. 11, Shoe Box, Rubberqueen, Loma-Rubberqueen, Fort Worth, Tex. It is believed that the product de-

(List continued on next page.)

Primary Examiner—C. A. Murphy

Attorney, Agent, or Firm—Richard B. O'Planick; Lisa B. Riedesel

[57] **CLAIM**

The ornamental design for a storage case, as shown and described.

DESCRIPTION

FIG. 1 is a top left front perspective view of a storage case embodying my new design;

FIG. 2 is a side elevational view thereof; the opposite side being a mirror image;

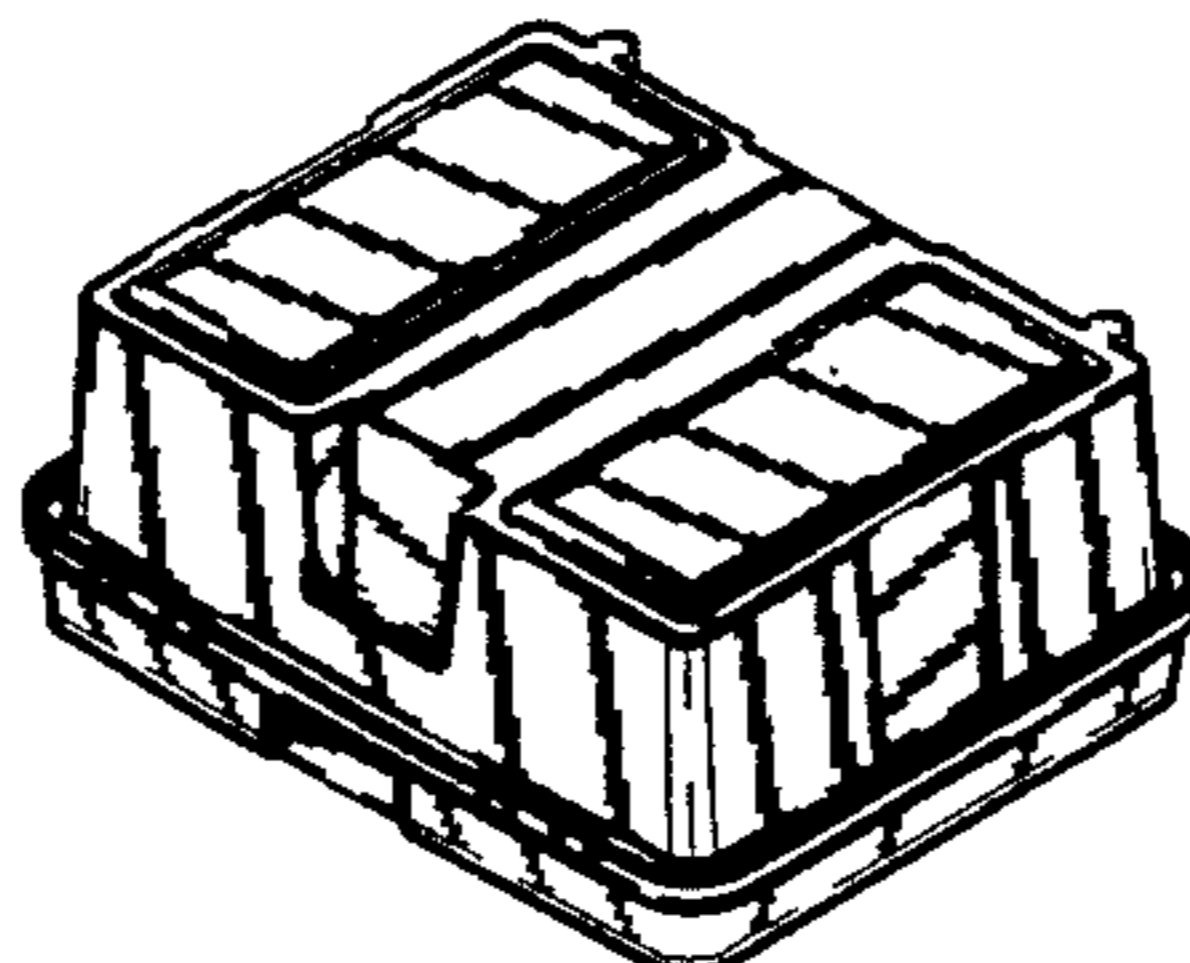
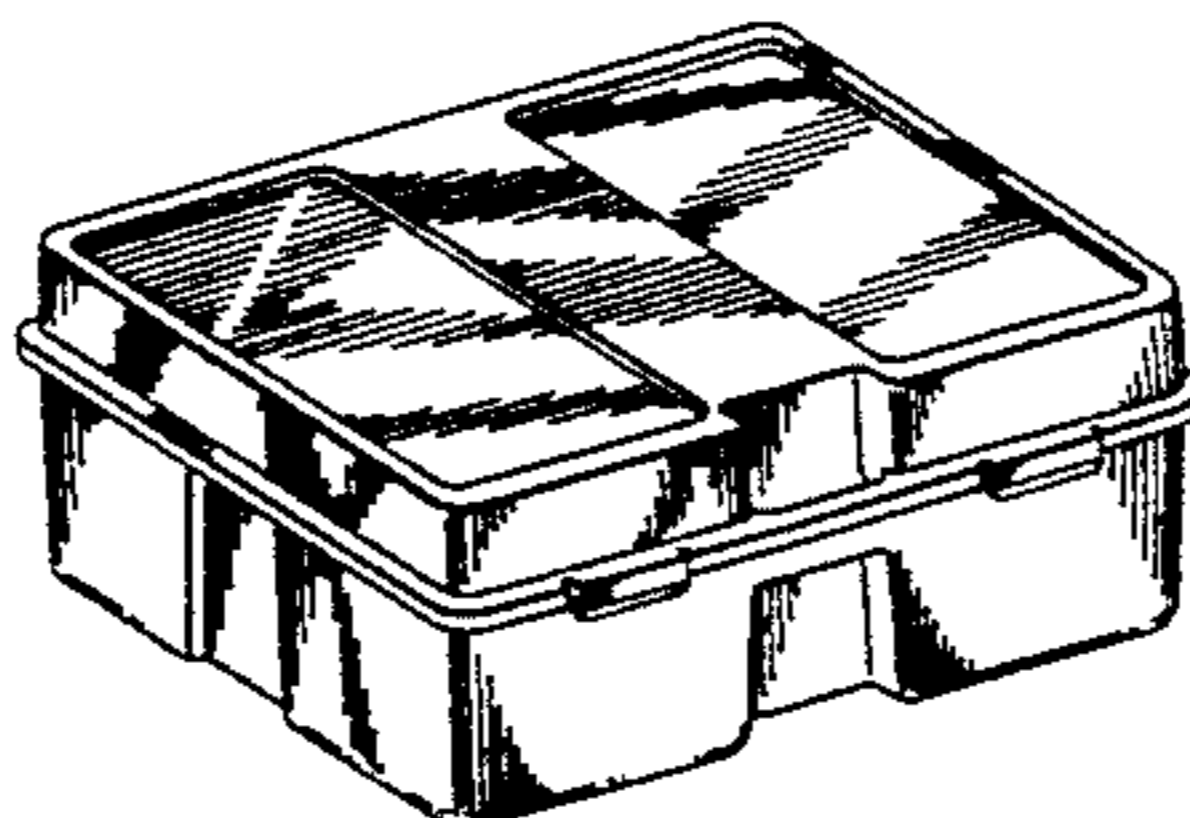
FIG. 3 is a top plan view thereof;

FIG. 4 is a front elevational view thereof;

FIG. 5 is a bottom plan view thereof;

FIG. 6 is a rear elevational view thereof; and,

FIG. 7 is a bottom perspective view thereof.



OTHER PUBLICATIONS

picted herein has been on sale for more than one year prior to the application date of this instant application. Catalog Page, Shirt 'N Sweater Box, Rubberqueen, Loma-Rubberqueen, Fort Worth, Tex. It is believed that the product depicted herein has been on sale for more than one year prior to the application date of this instant application.
Pp. 2, 3, 7, 28 and 29, Servin' Saver™ Containers and

Storage Containers, Rubbermaid Incorporated, 1147 Akron Road, Wooster, Ohio 44691. Publication date 1988.

Pp. 3 and 4, Food Storage Containers, Rubbermaid Commercial Products Inc., 3124 Valley Avenue, Winchester, Va. 22601. Publication date 1989.

P. 10, Storage Boxes, Dupol-Rubbermaid, GmbH, An Der Trift 63, D-6072 Dreieich, West Germany. Publication date 1988.

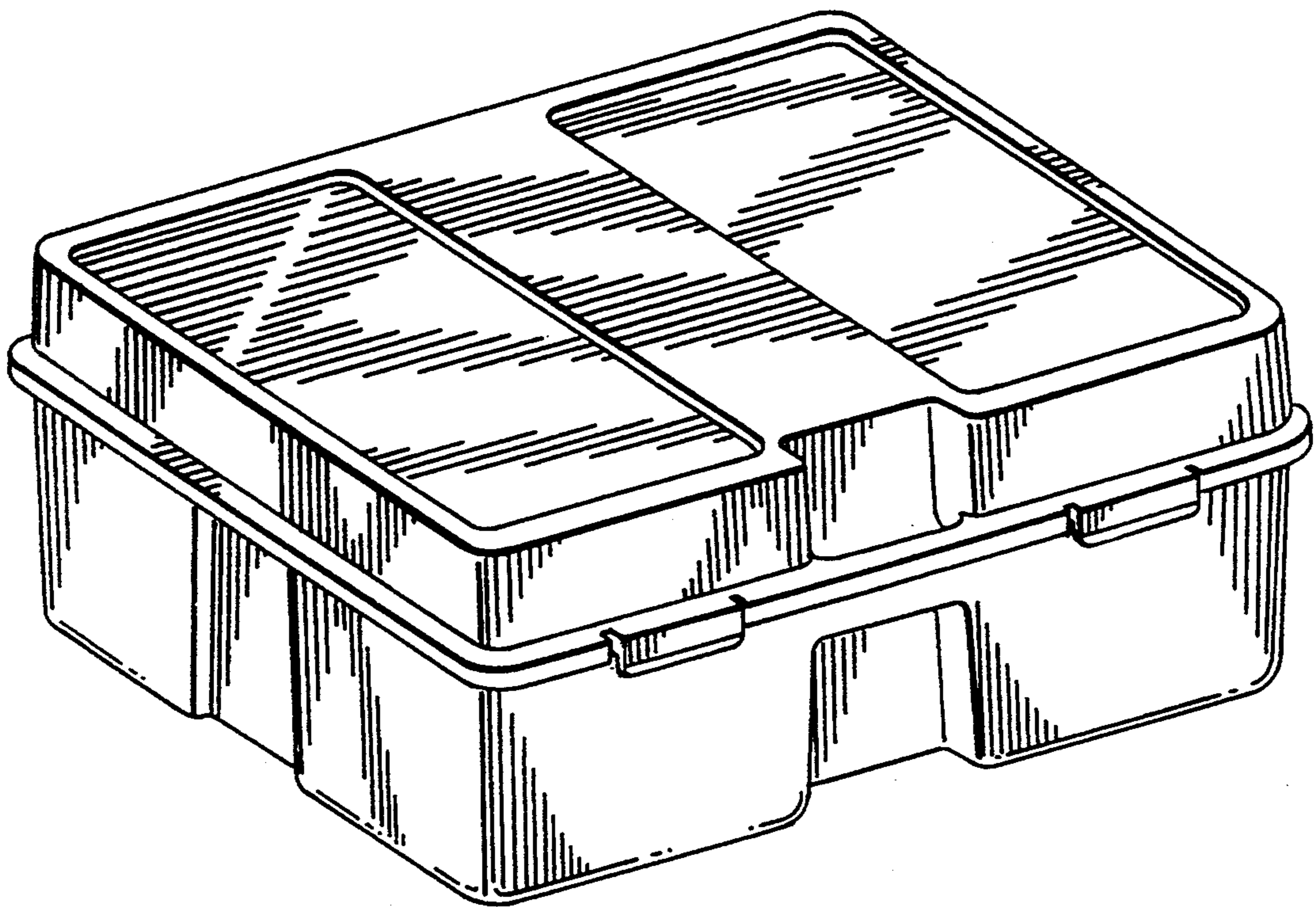


FIG. 1

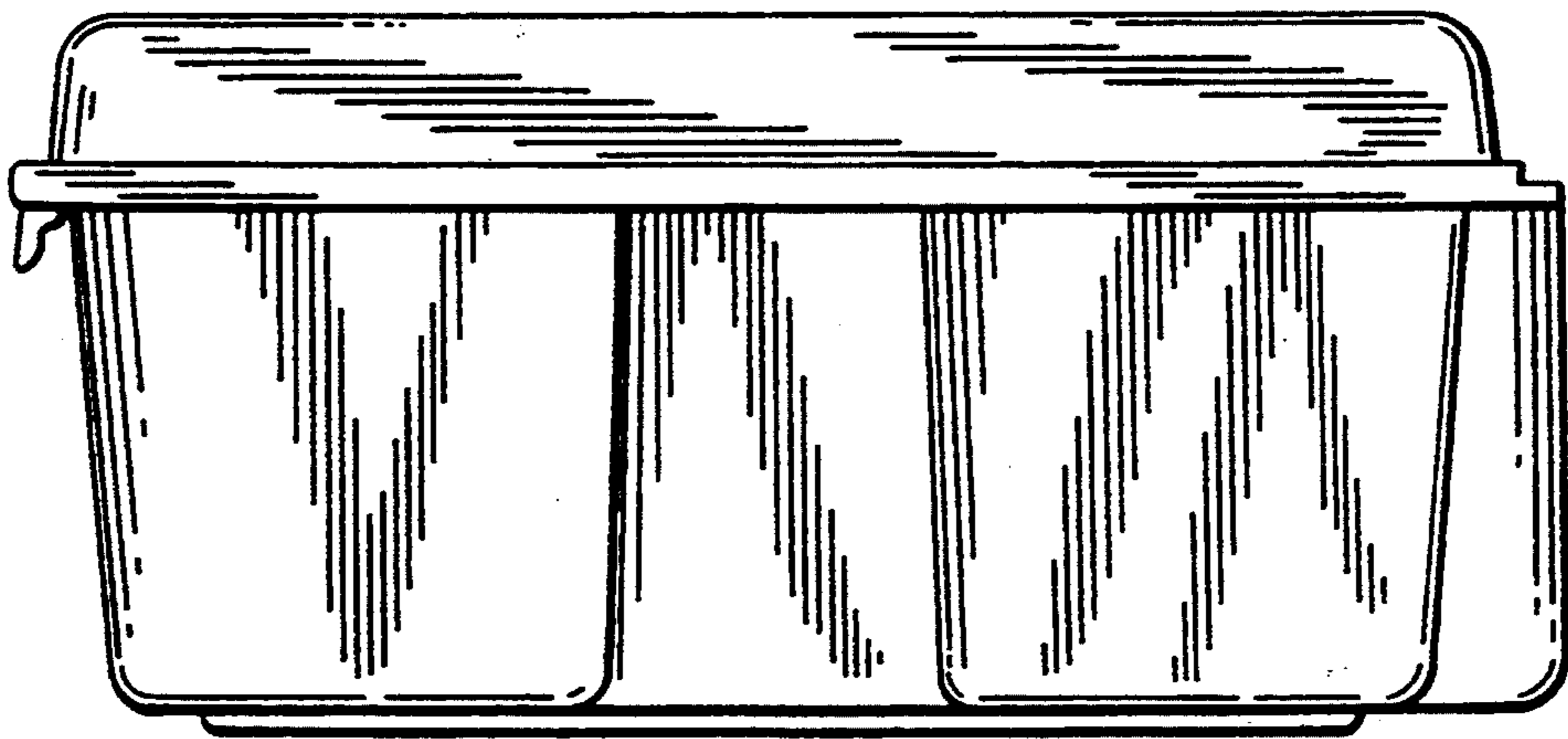


FIG. 2

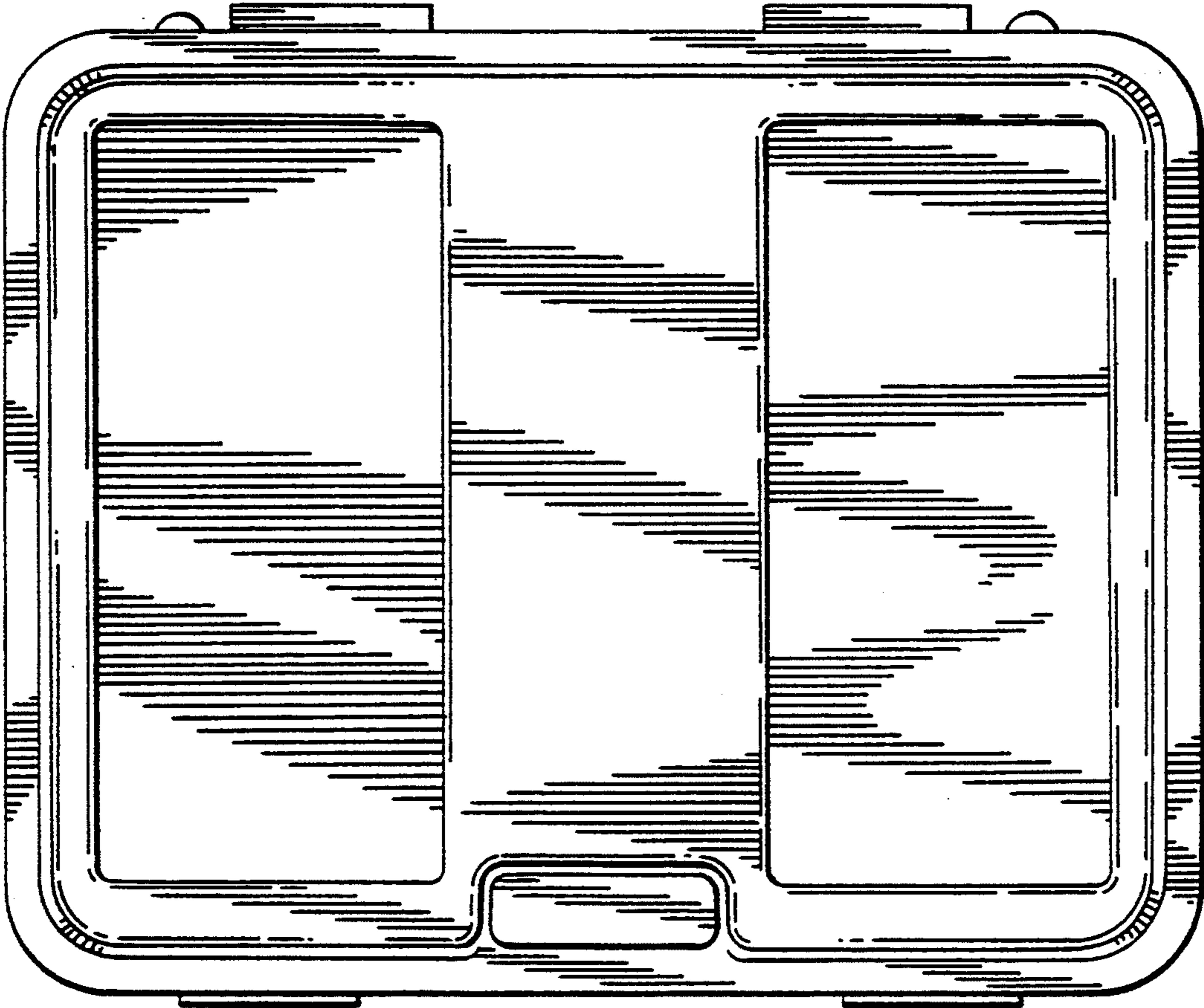


FIG. 3

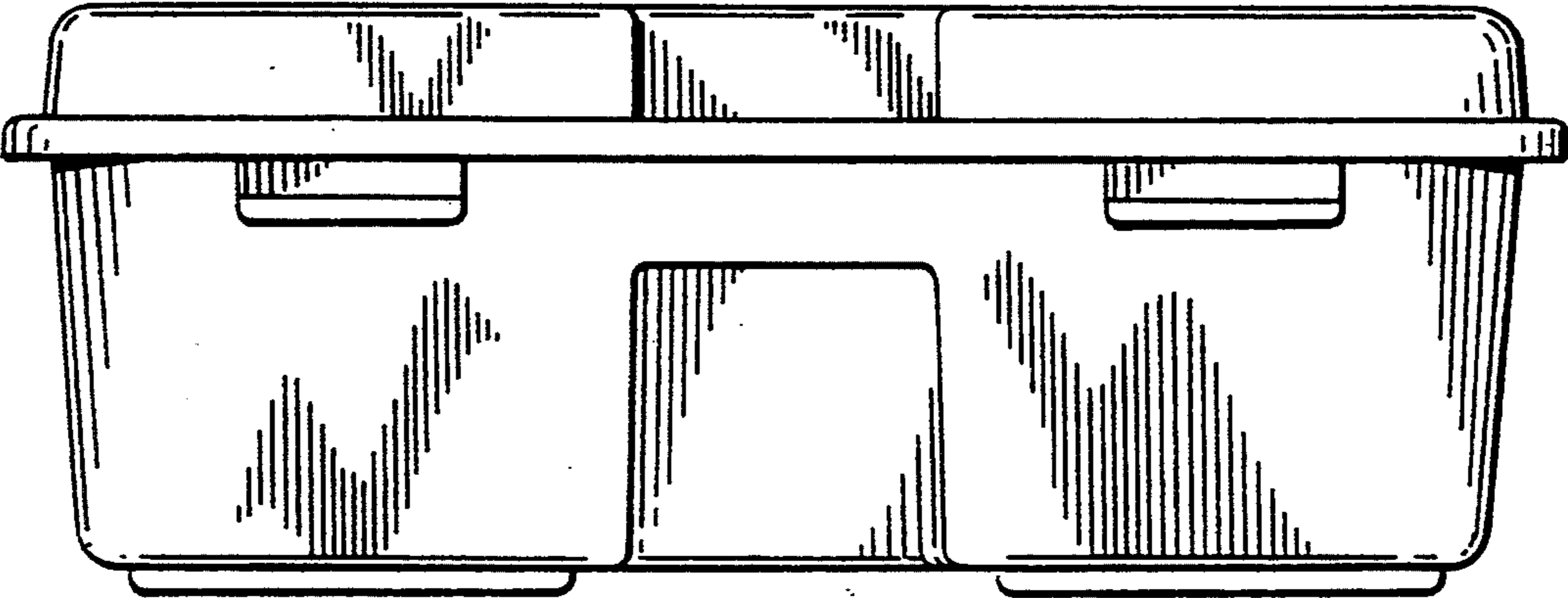


FIG. 4

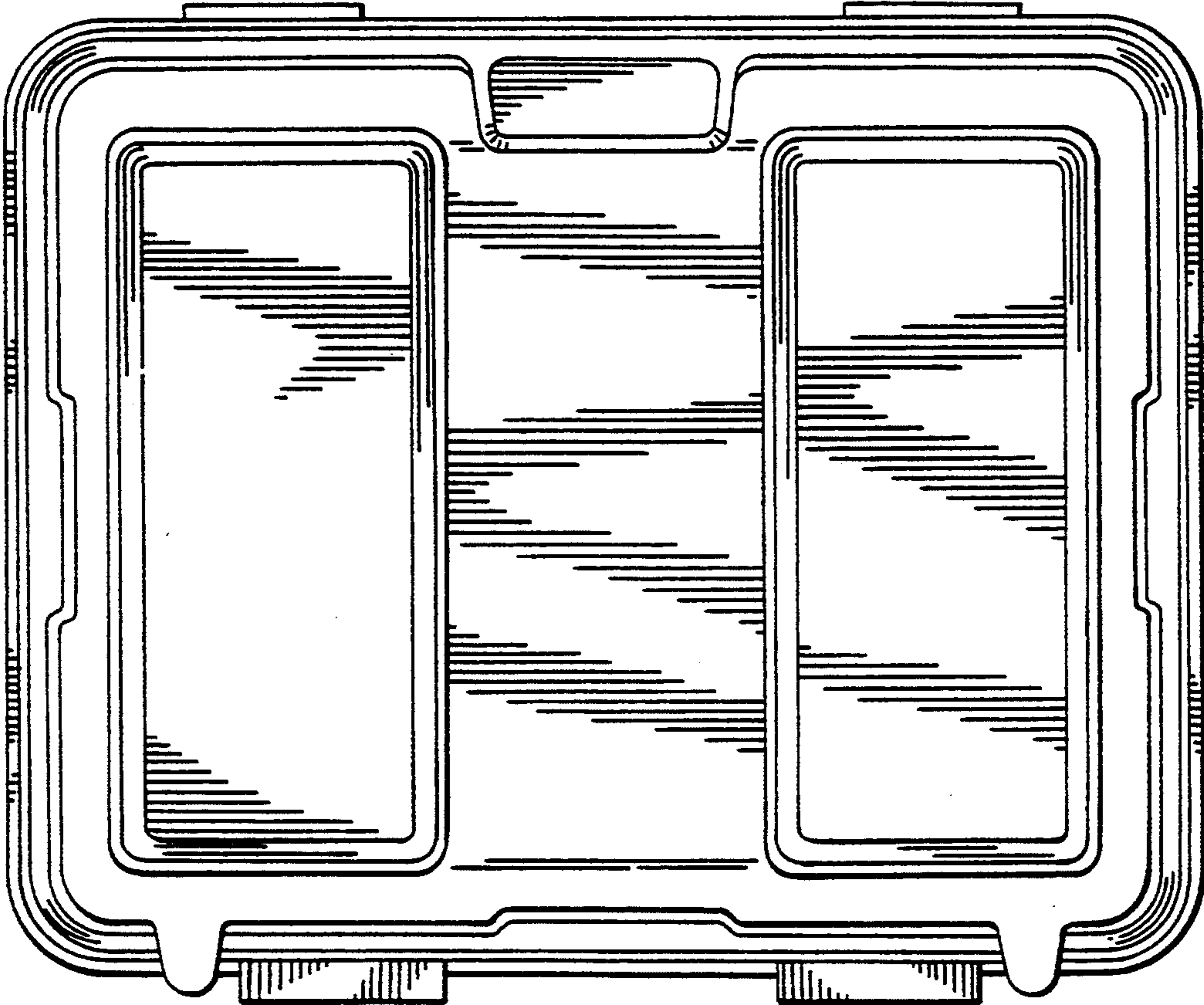


FIG. 5

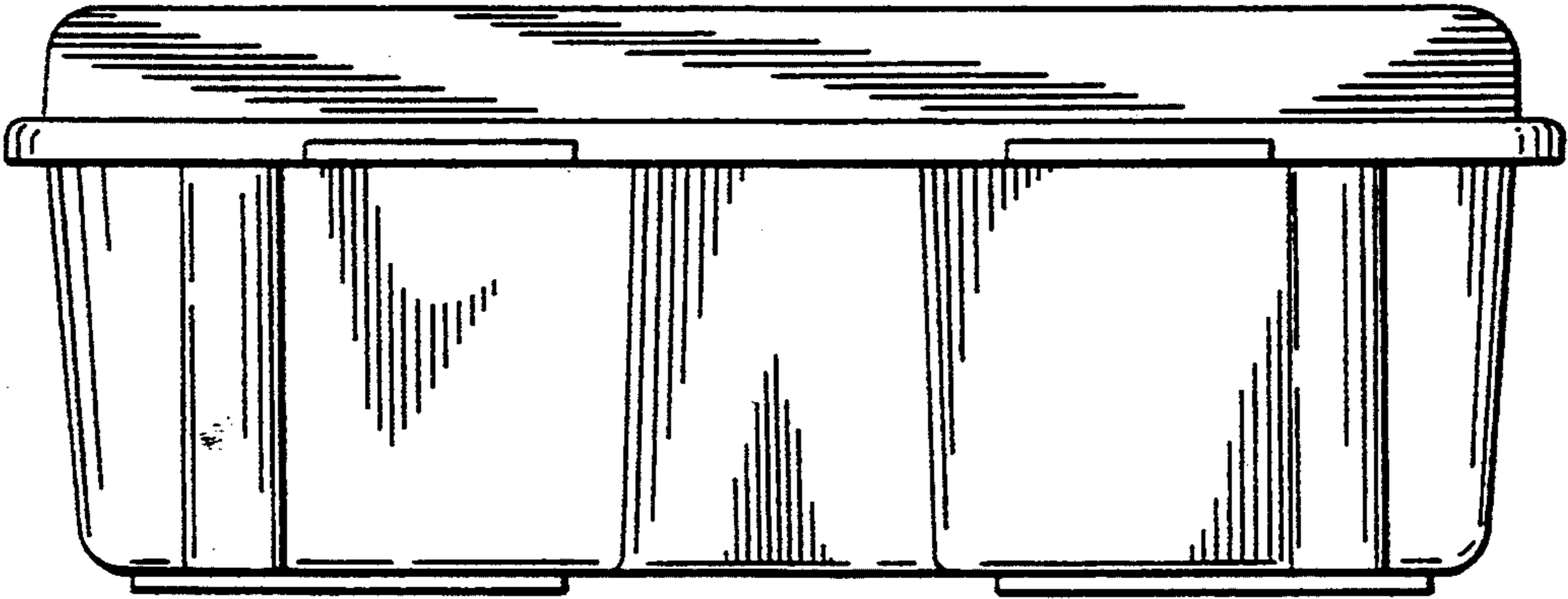


FIG. 6

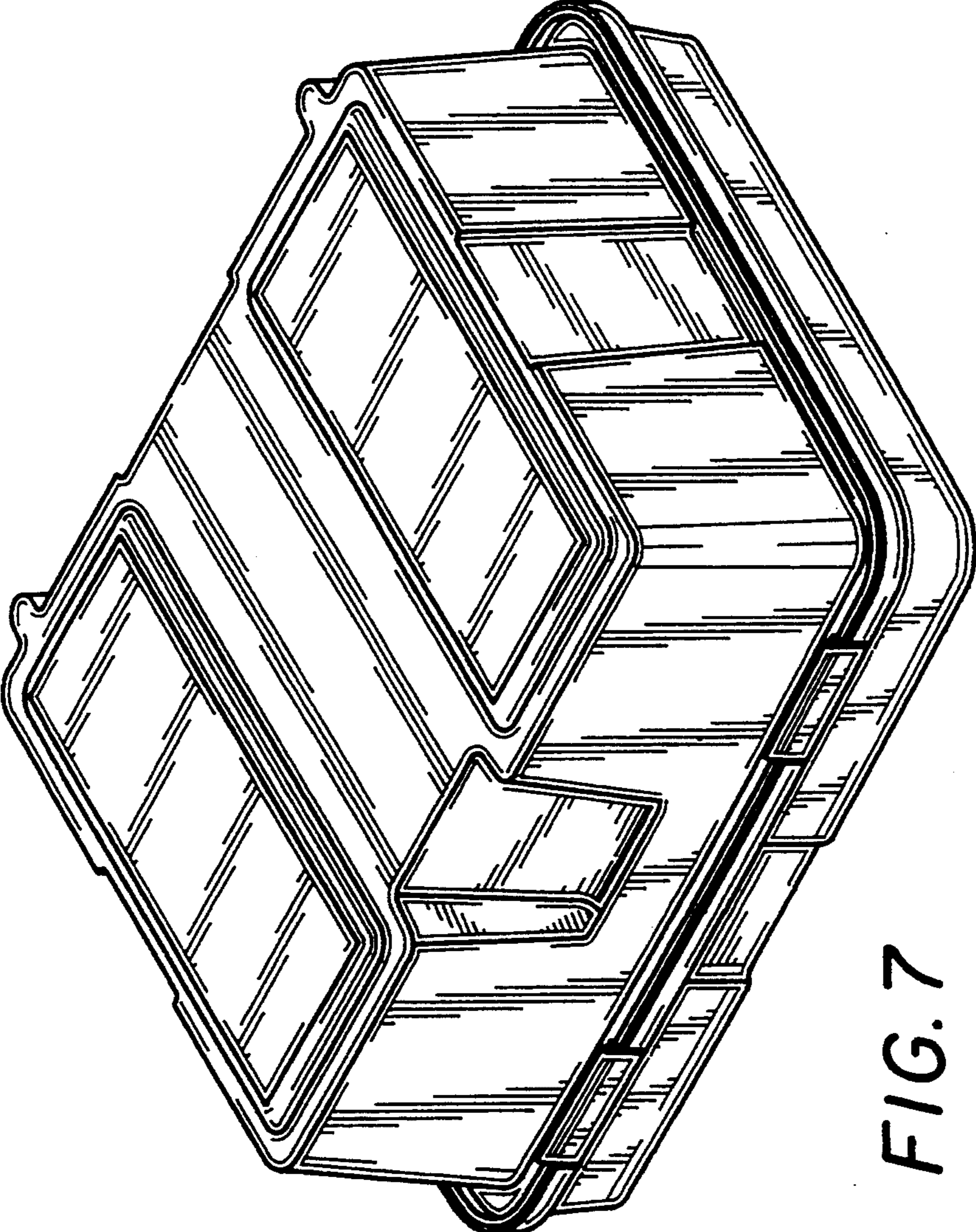


FIG. 7