



US00D356882S

United States Patent [19]

[11] Patent Number: **Des. 356,882**

Lisowski

[45] Date of Patent: **** Mar. 28, 1995**

[54] **HOLDER FOR BOAT WINCH HANDLE**

[57] **CLAIM**

[76] Inventor: **Walter E. Lisowski**, 3523 N. Kenton, Chicago, Ill. 60641

The ornamental design for a holder for a boat winch handle, as shown and described.

[**] Term: **14 Years**

DESCRIPTION

[21] Appl. No.: **13,996**

FIG. 1 is a perspective view of a holder for a boat winch handle showing my new design, the broken line showing is for illustrative purposes only and forms no part of the claimed design;

[22] Filed: **Oct. 8, 1993**

[52] U.S. Cl. **D34/35**

FIG. 2 is a side elevation view thereof;

[58] Field of Search **D34/33, 35, 37; D8/28, D8/71, 29, 373, 300, 307, 308, 349; 254/369, 390, 371, 374; 114/160, 249, 253**

FIG. 3 is an opposite side view thereof;

FIG. 4 is a top plan view thereof;

FIG. 5 is a bottom end view thereof;

[56] **References Cited**

U.S. PATENT DOCUMENTS

D. 287,333	12/1986	Knudson	D8/71
4,130,271	12/1978	Merriman	254/369
4,523,744	6/1985	Bonassi	D34/33

FIG. 6 is a perspective view of a second embodiment thereof, the broken line showing is for illustrative purposes only and forms no part of the claimed design;

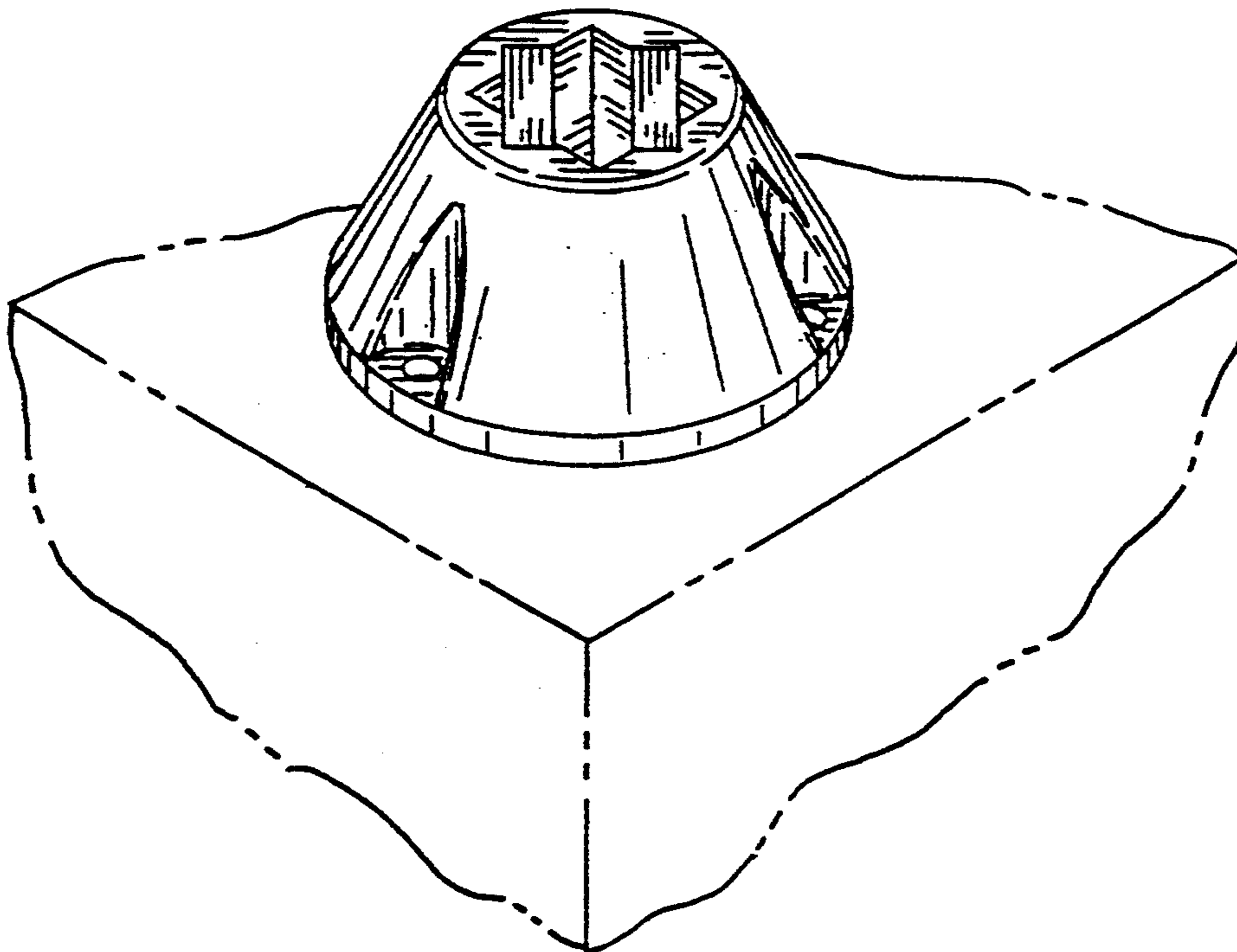
FIG. 7 is a side elevation view of the embodiment of FIG. 6;

FIG. 8 is an opposite side view of the embodiment of FIG. 6;

FIG. 9 is a top plan view of the embodiment of FIG. 6; and,

FIG. 10 is a bottom end view of the embodiment of FIG. 6.

Primary Examiner—Wallace R. Burke
Assistant Examiner—Robin V. Taylor
Attorney, Agent, or Firm—Leydig, Voit & Mayer



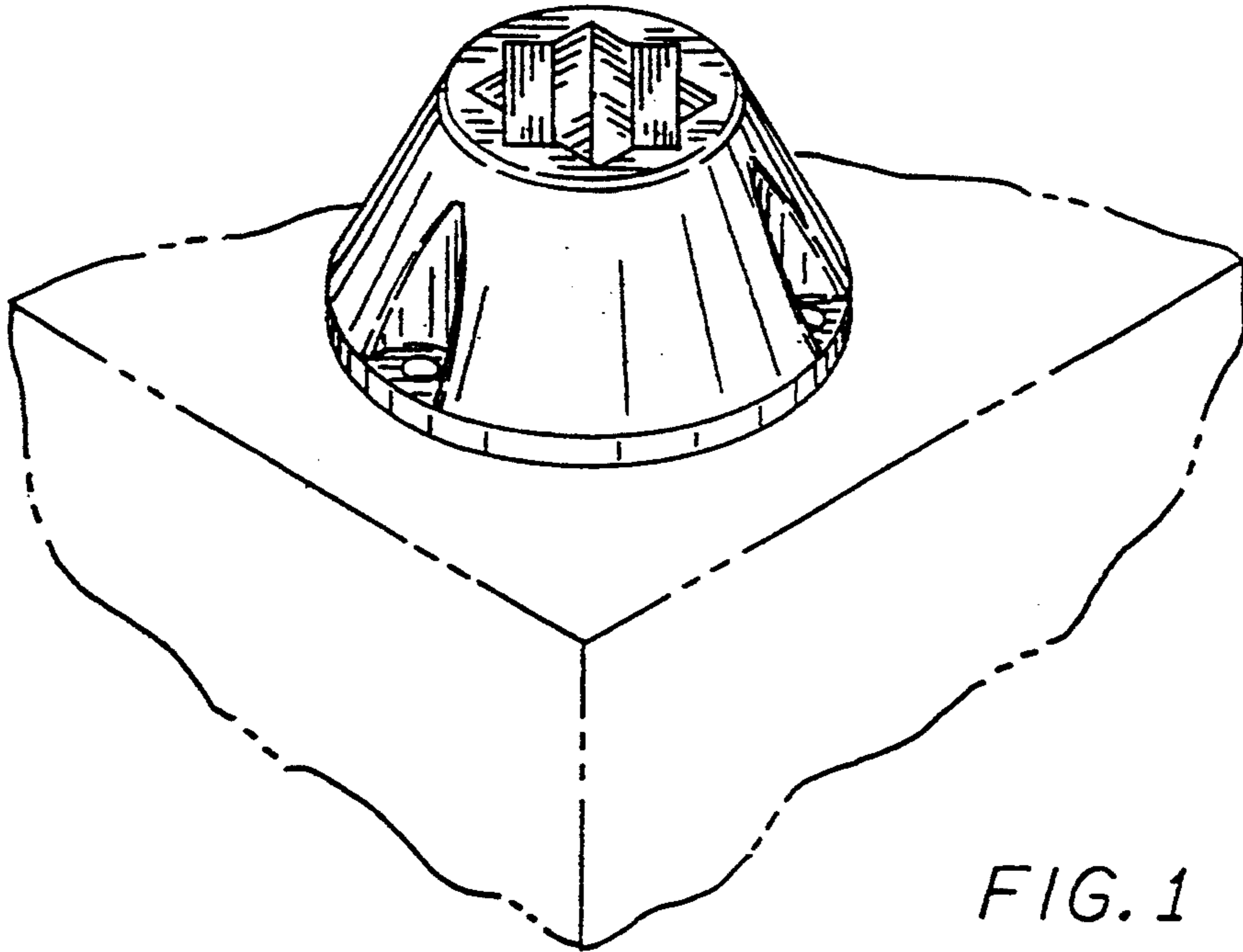


FIG. 1

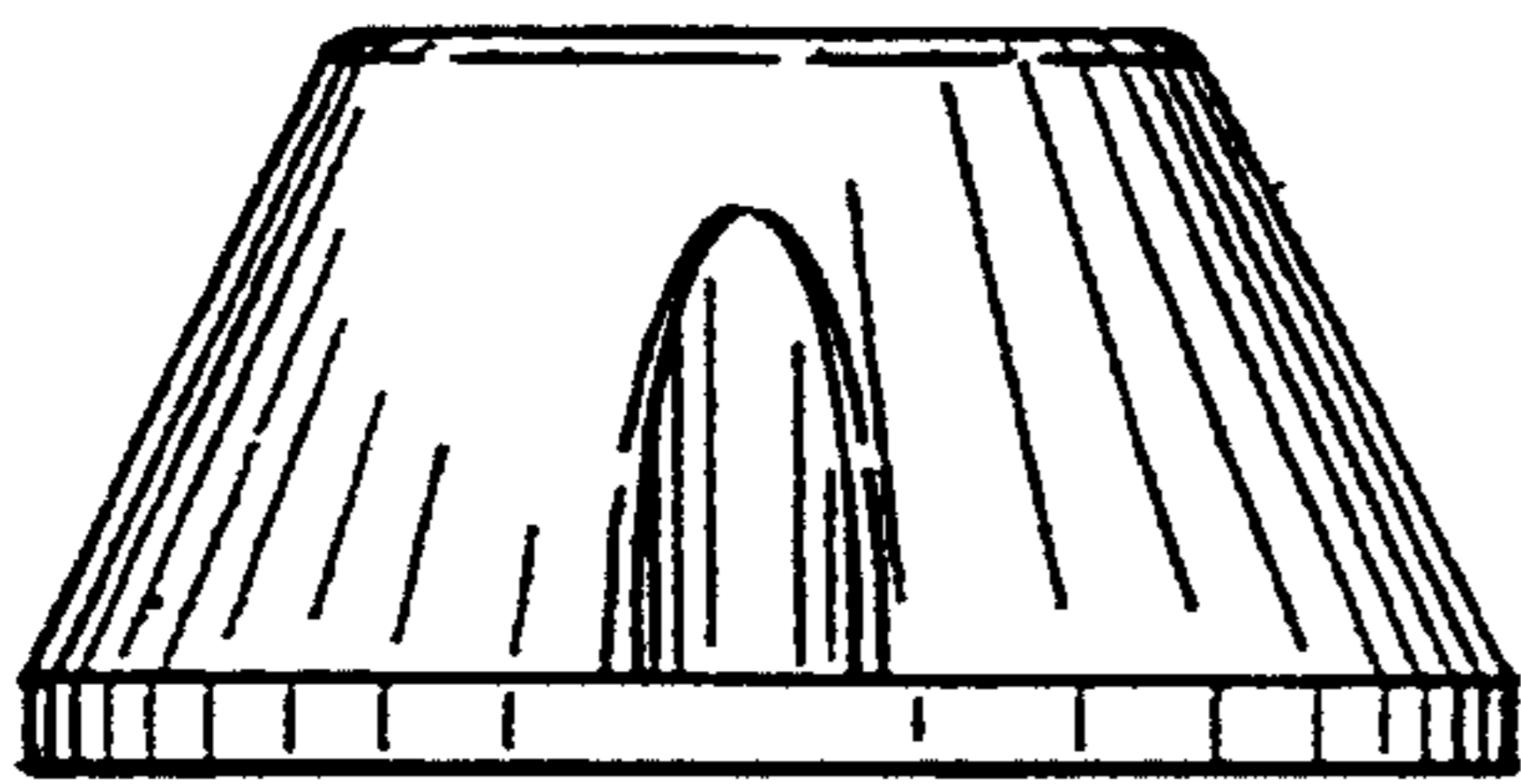


FIG. 2

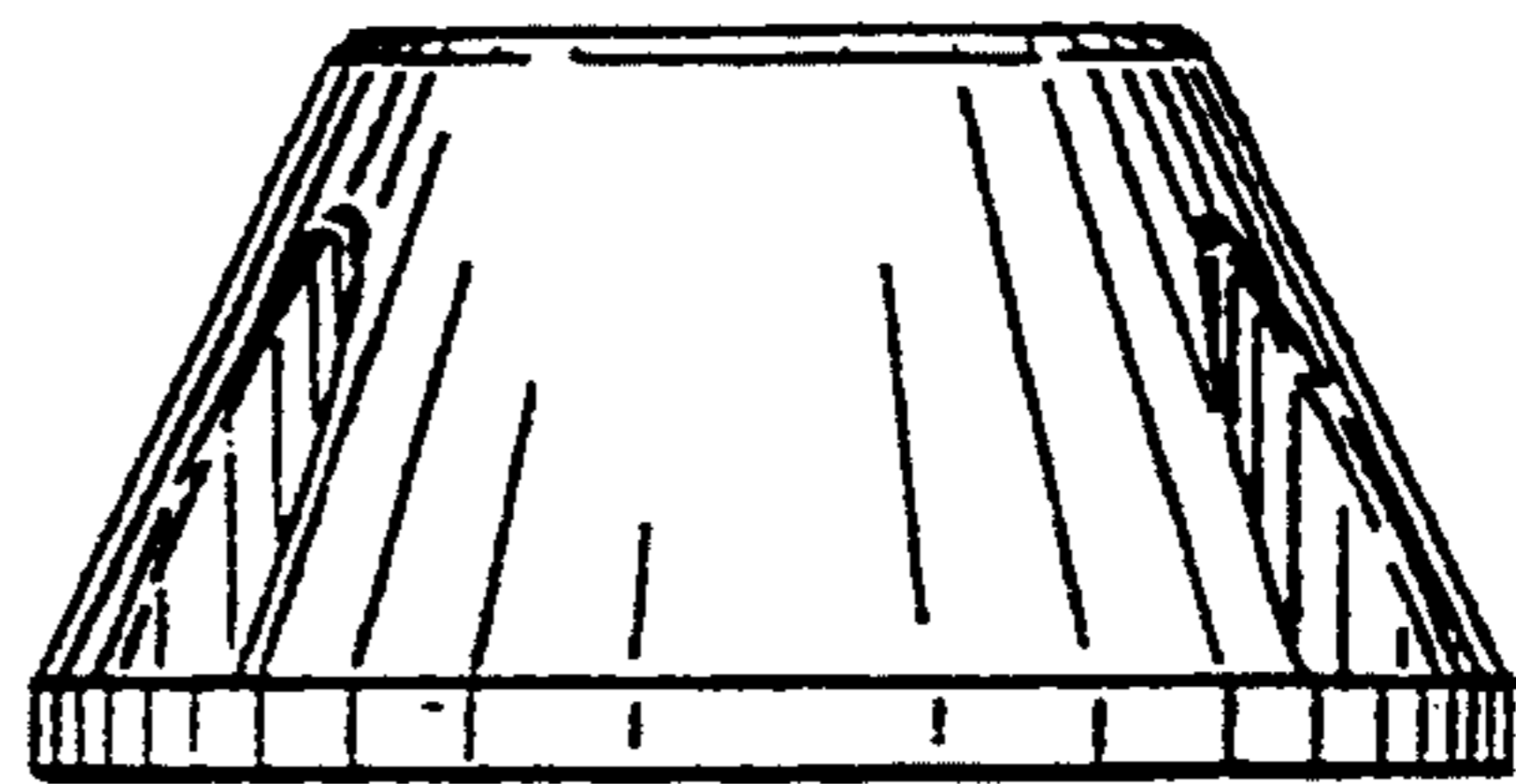


FIG. 3

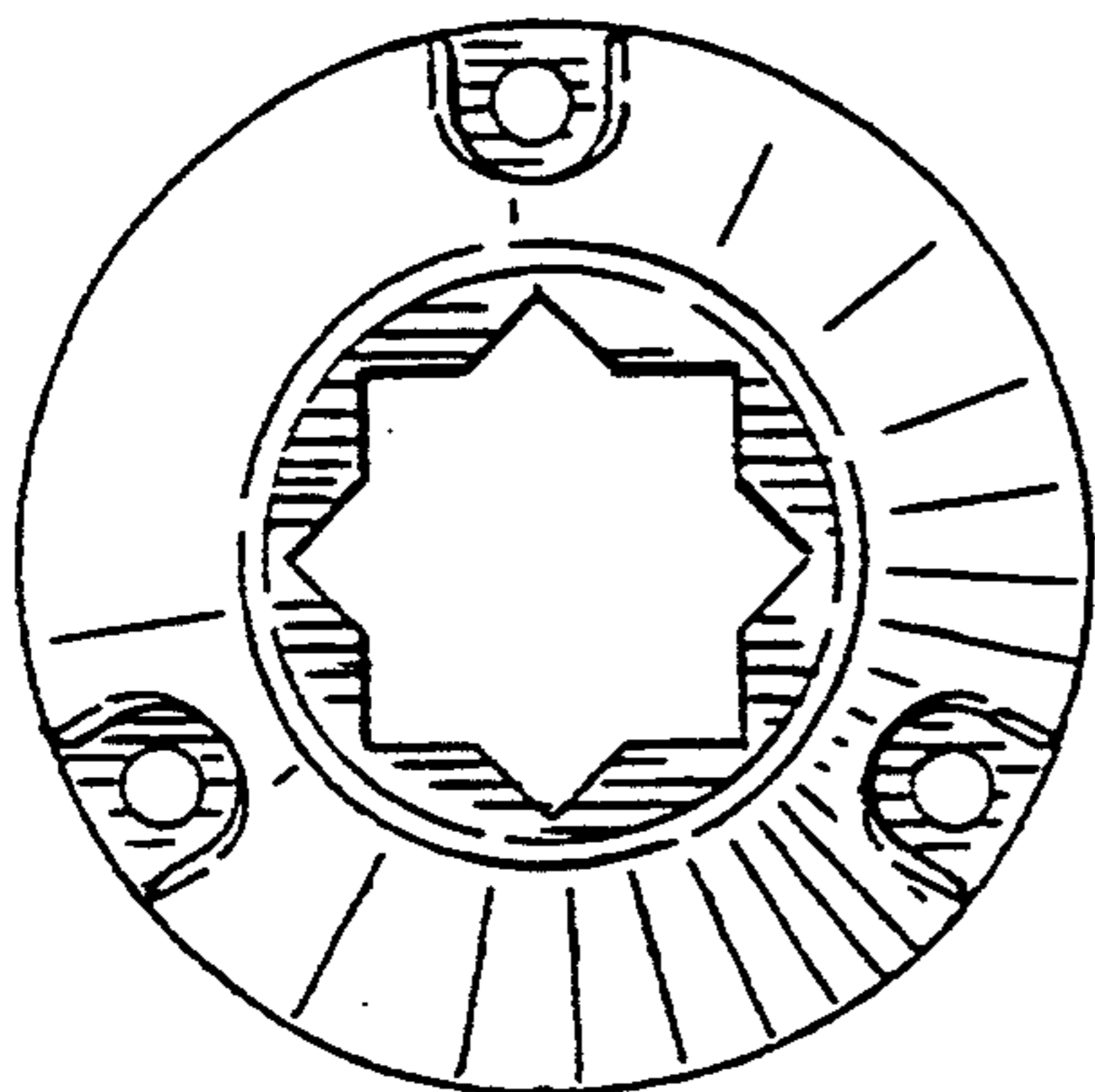


FIG. 4

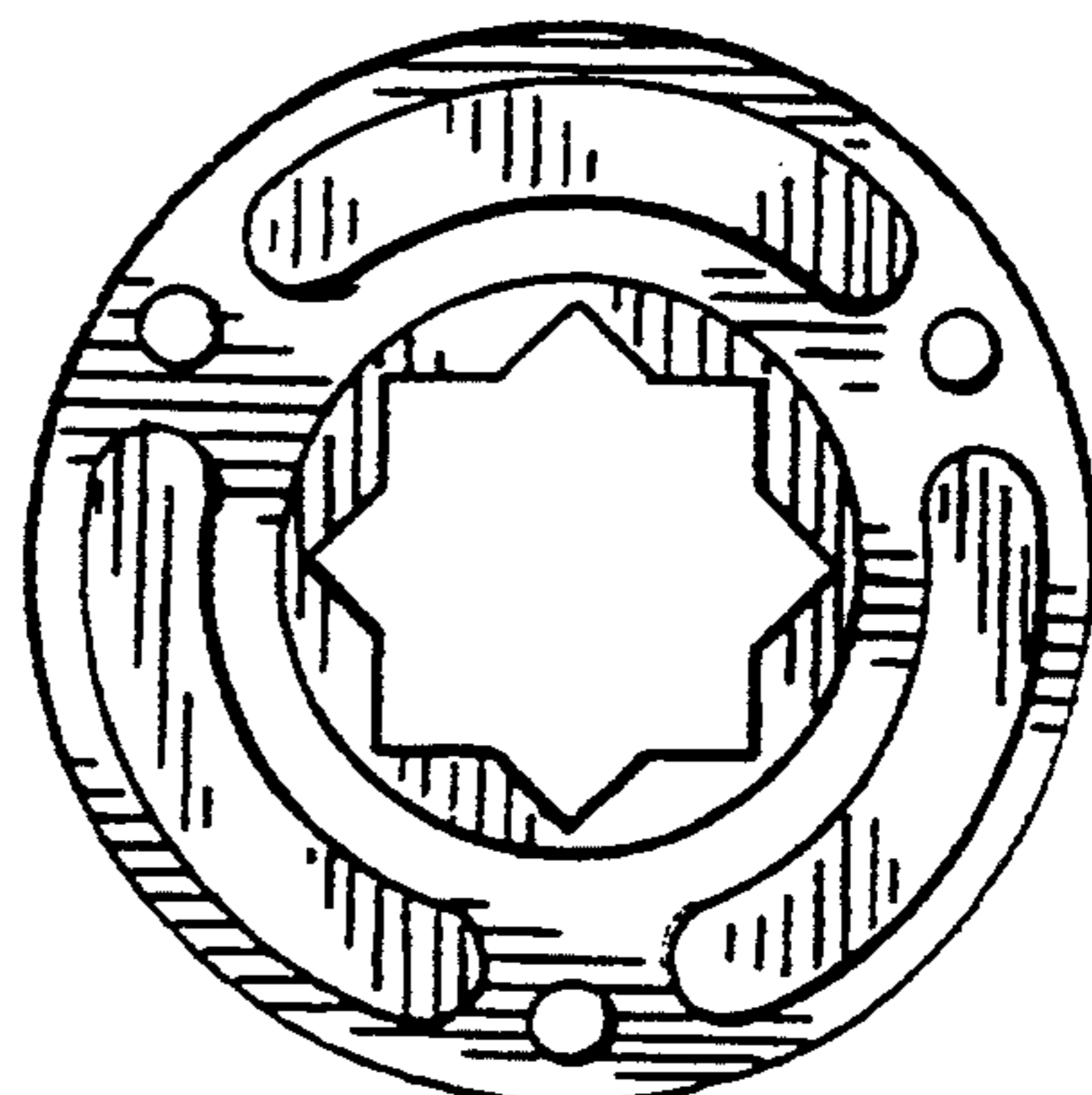


FIG. 5

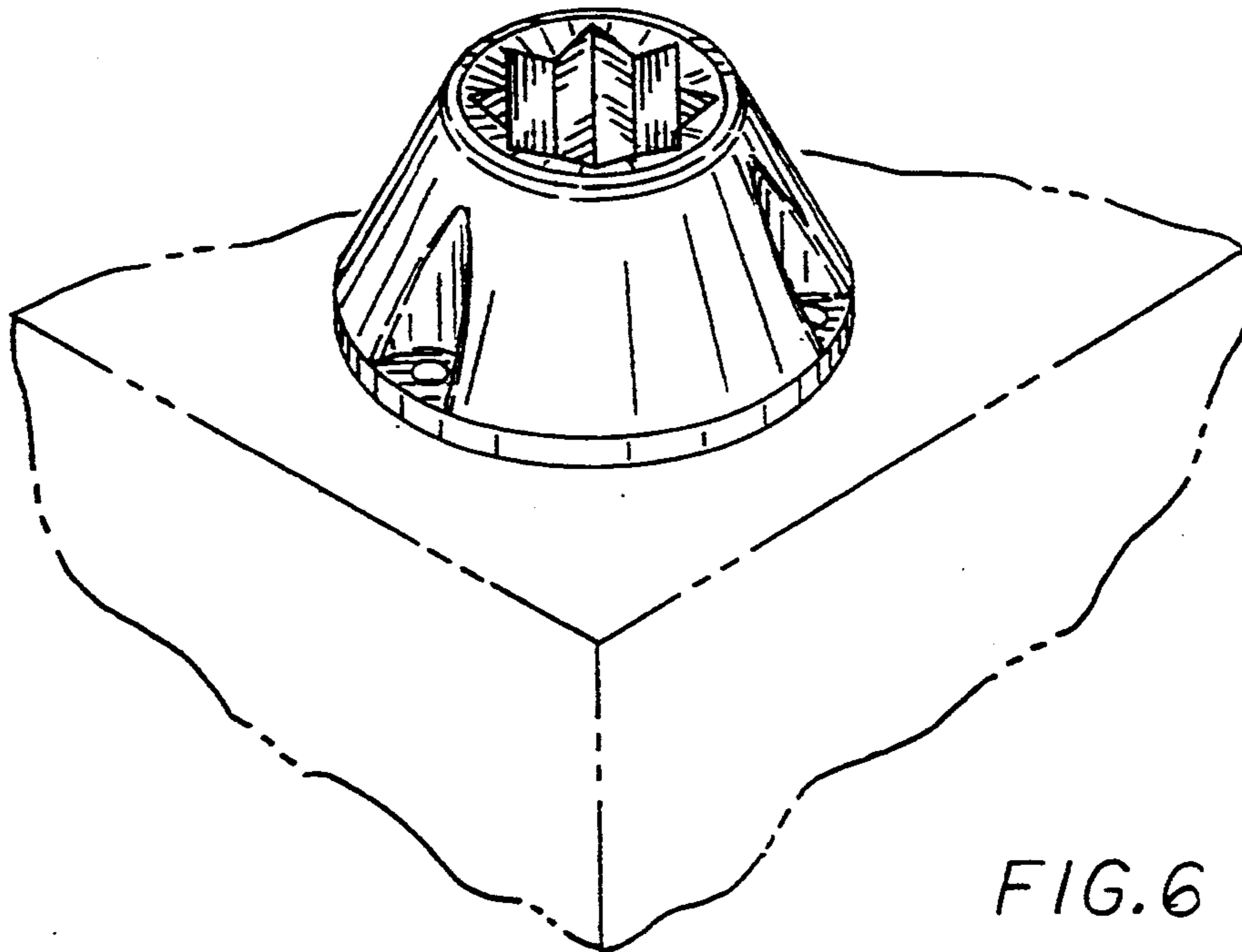


FIG. 6

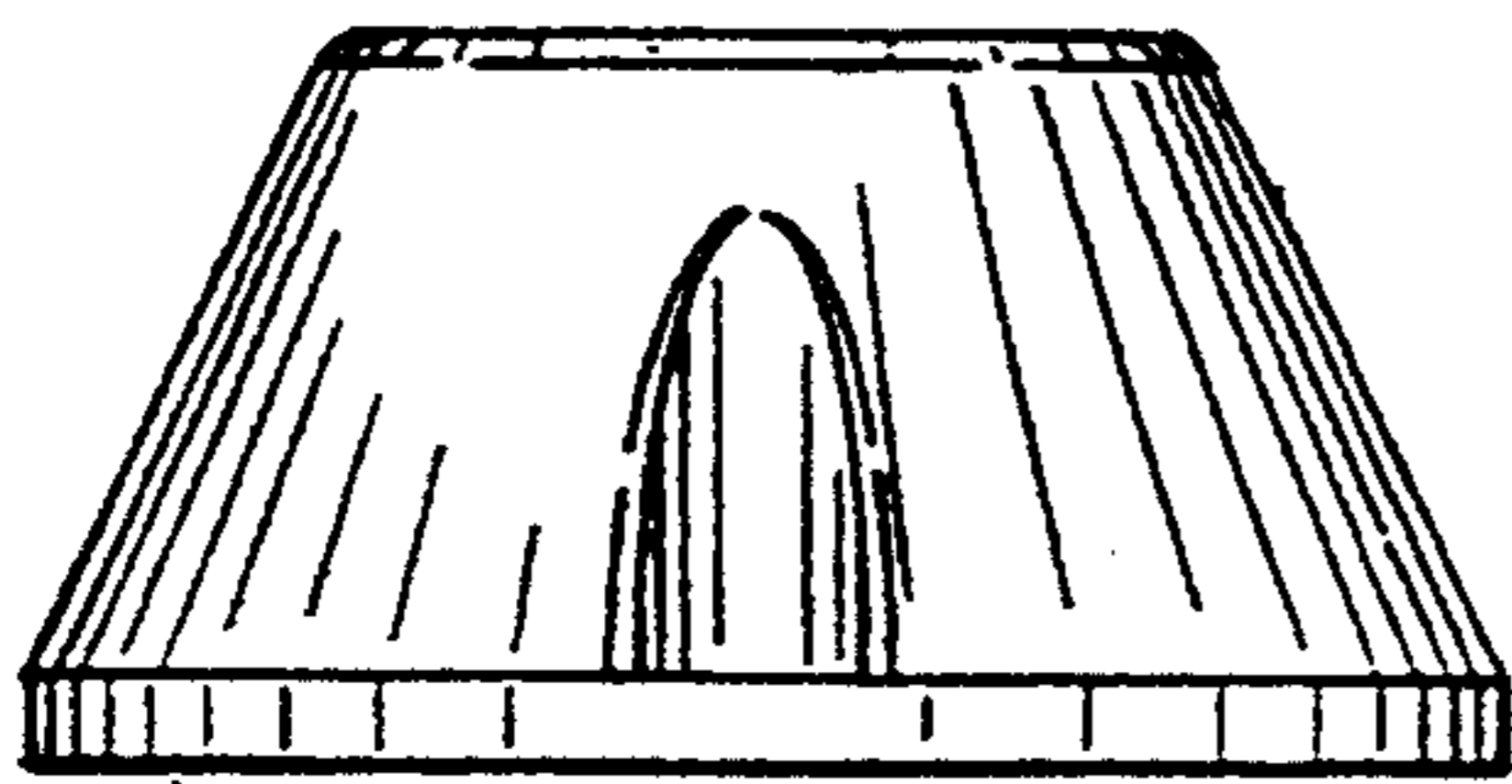


FIG. 7

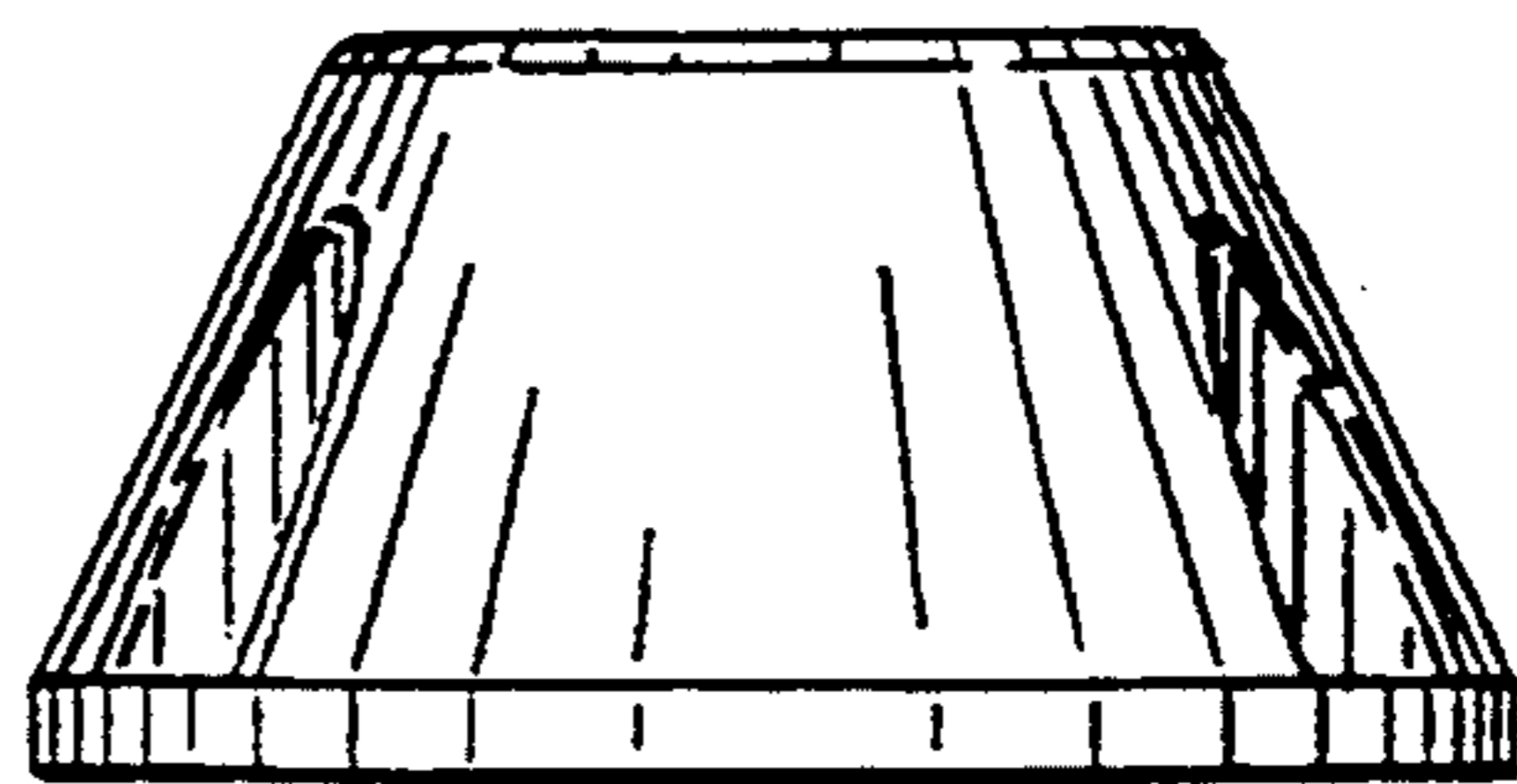


FIG. 8

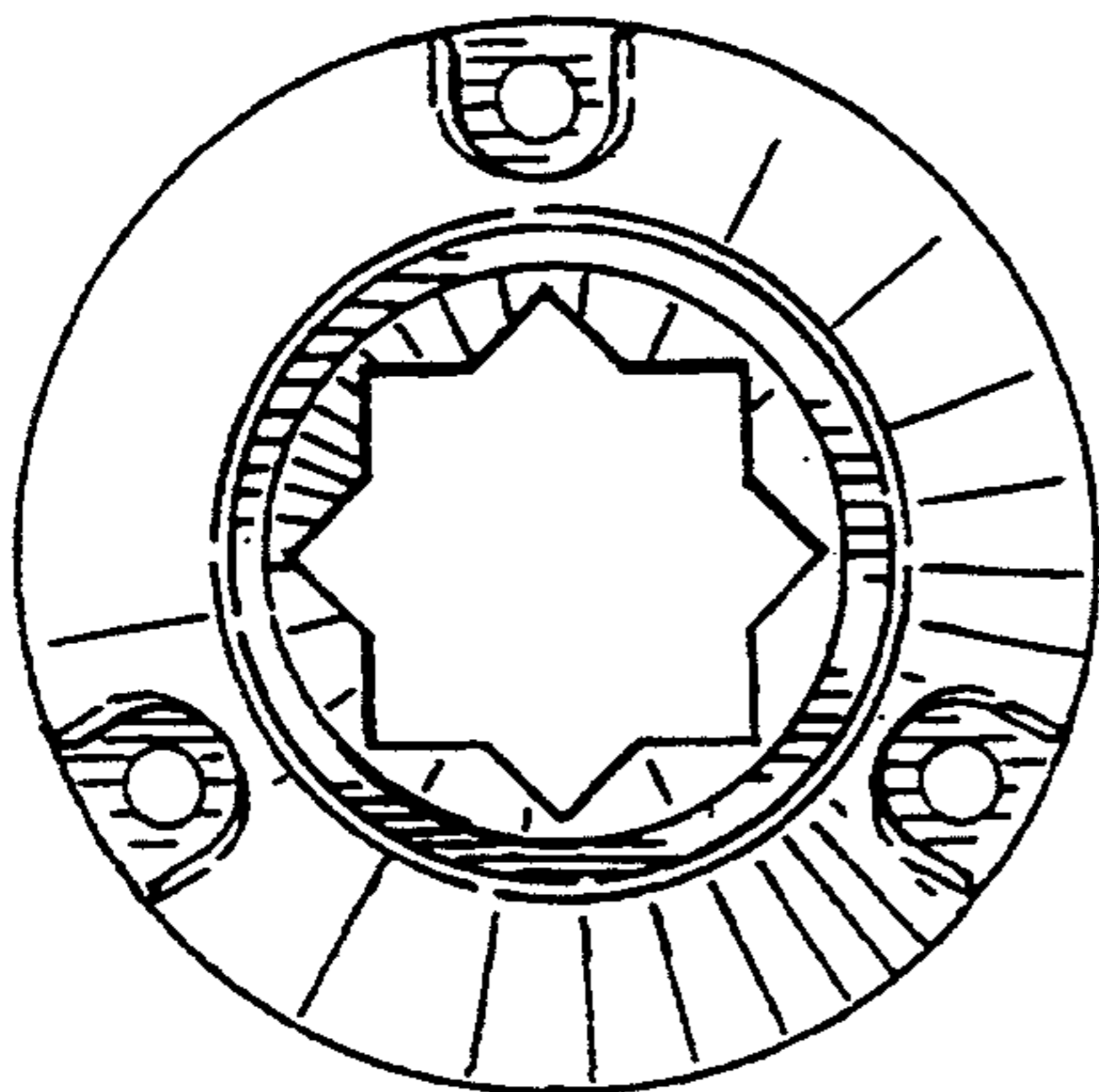


FIG. 9

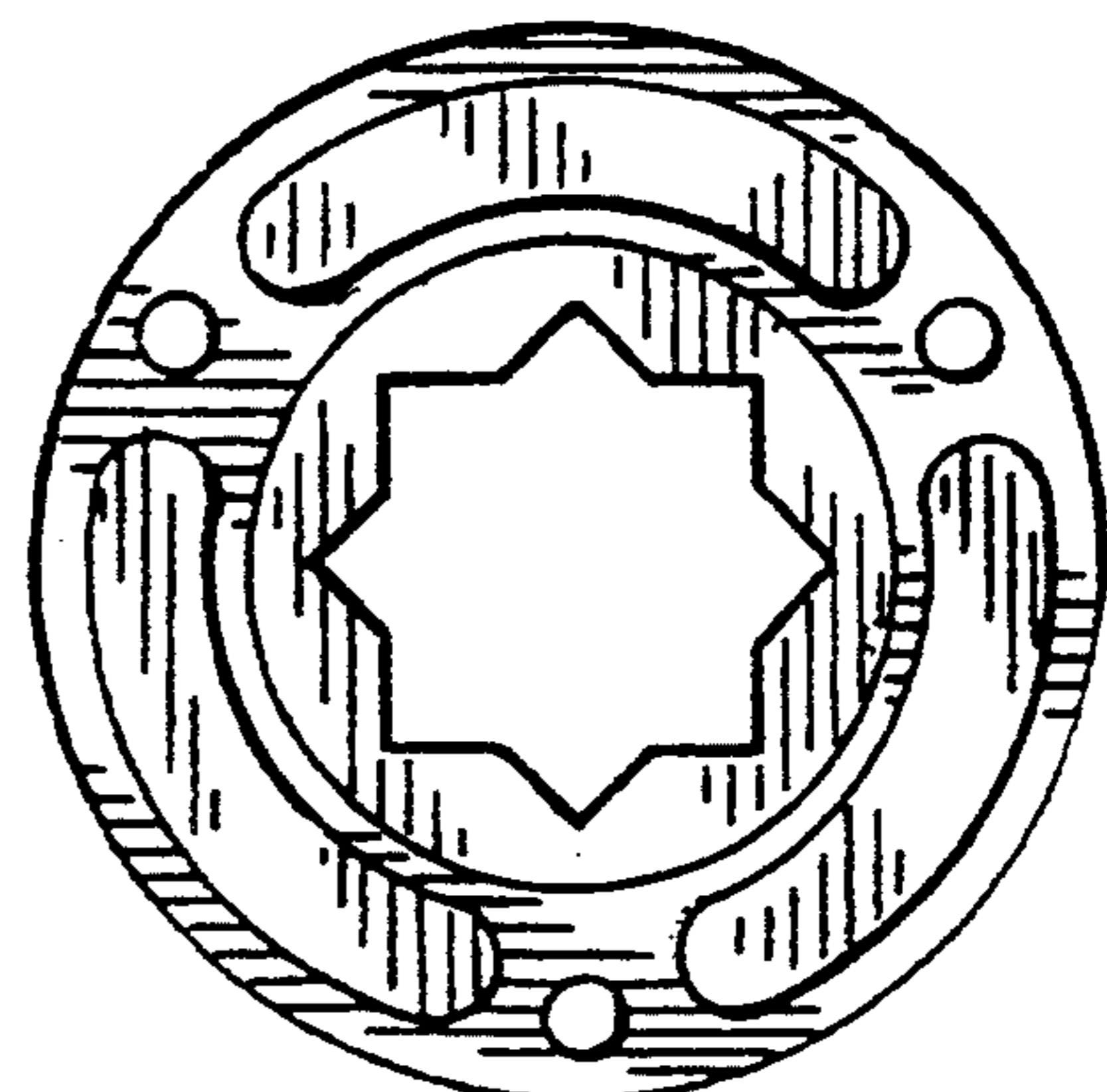


FIG. 10