



US00D356881S

# United States Patent [19]

[11] Patent Number: **Des. 356,881**

Lisowski

[45] Date of Patent: **\*\* Mar. 28, 1995**

[54] **INSERT FOR A HOLDER FOR BOAT WINCH HANDLE**

*Assistant Examiner*—Robin V. Taylor  
*Attorney, Agent, or Firm*—Leydig, Voit & Mayer

[76] Inventor: **Walter E. Lisowski**, 3523 N. Kenton, Chicago, Ill. 60641

[57] **CLAIM**

The ornamental design for an insert for a holder for a boat winch handle, as shown and described.

[\*\*] Term: **14 Years**

[21] Appl. No.: **14,000**

**DESCRIPTION**

[22] Filed: **Oct. 8, 1993**

[52] U.S. Cl. .... **D34/35**

[58] Field of Search ..... D34/33, 35, 37, 28;  
D8/71, 29, 373, 300, 307, 308, 349; 254/369,  
390, 371, 374; 114/160, 249, 253

FIG. 1 is a perspective view of an insert for a holder for a boat winch handle showing my new design, the broken line showing is for illustrative purposes only and forms no part of the claimed design;

FIG. 2 is a side elevational view thereof;

FIG. 3 is an end view thereof;

FIG. 4 is a top plan view thereof;

FIG. 5 is a bottom view thereof;

FIG. 6 is a perspective view of the holder insert within the clamp of FIG. 1;

FIG. 7 is a top plan view of the insert of FIG. 6; and,

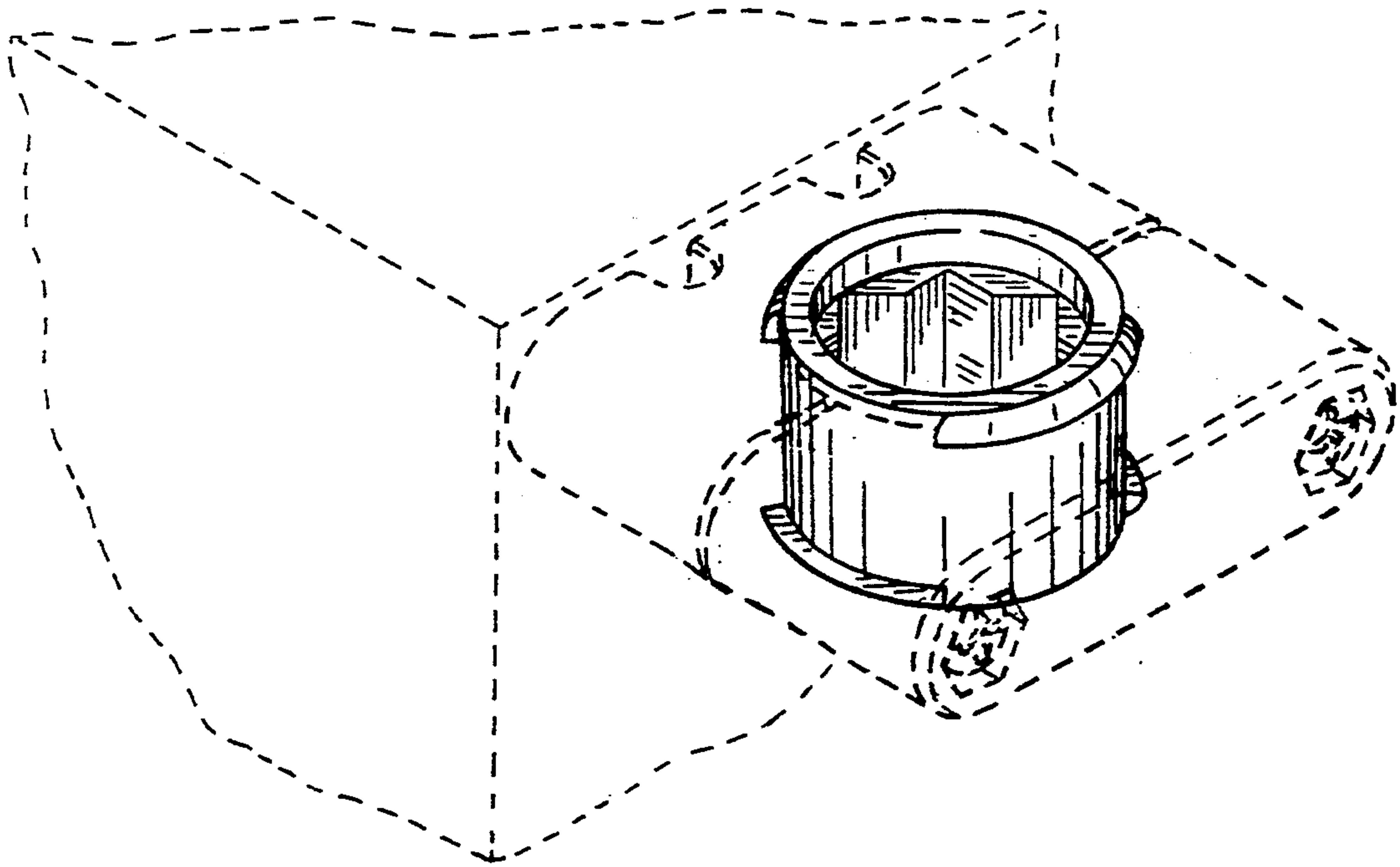
FIG. 8 is a side view of the insert of FIG. 6.

[56] **References Cited**

**U.S. PATENT DOCUMENTS**

D. 292,137 9/1987 Andersen ..... D34/35  
4,523,744 6/1985 Bonassi ..... 254/371

*Primary Examiner*—Wallace R. Burke



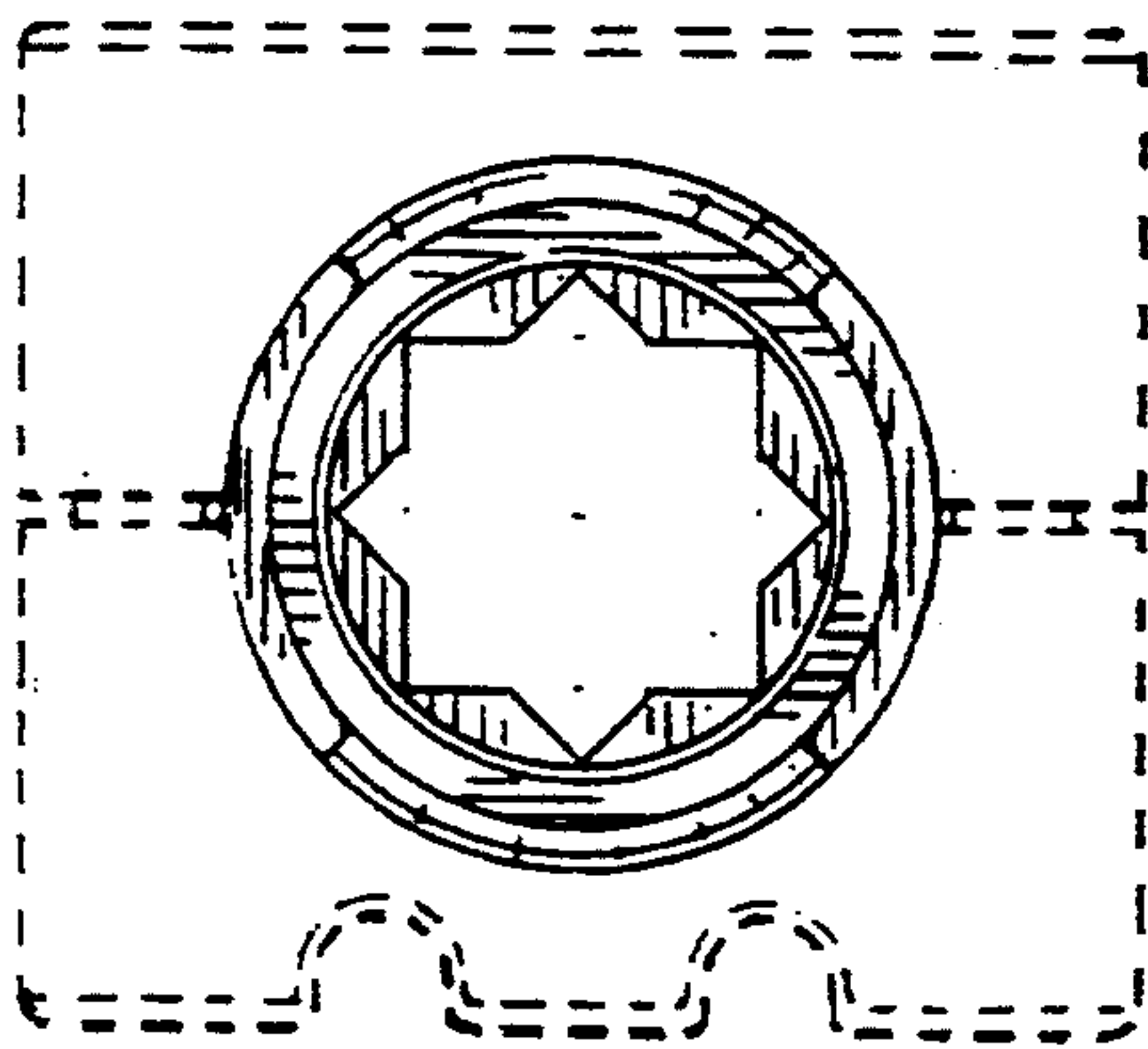
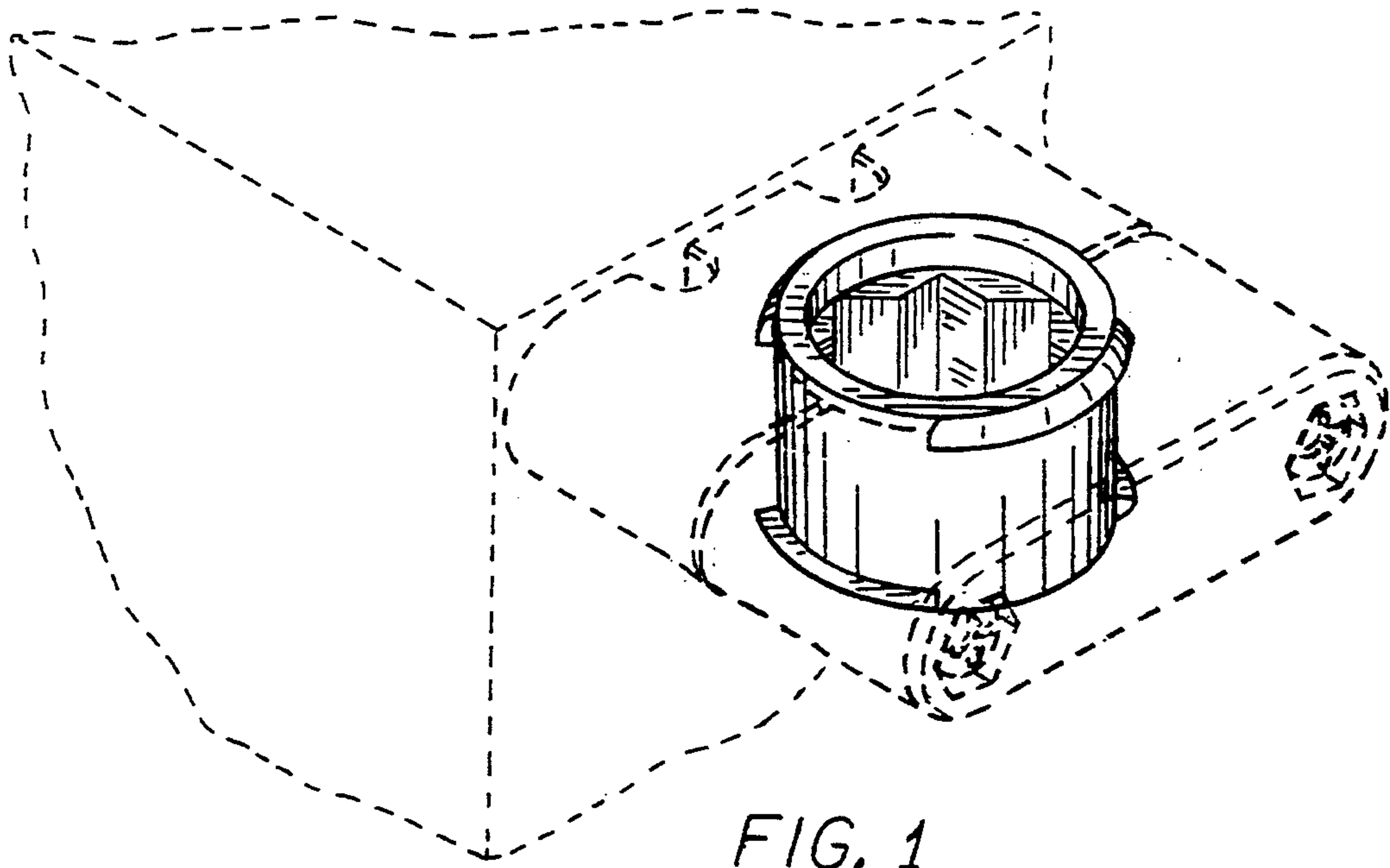


FIG. 2

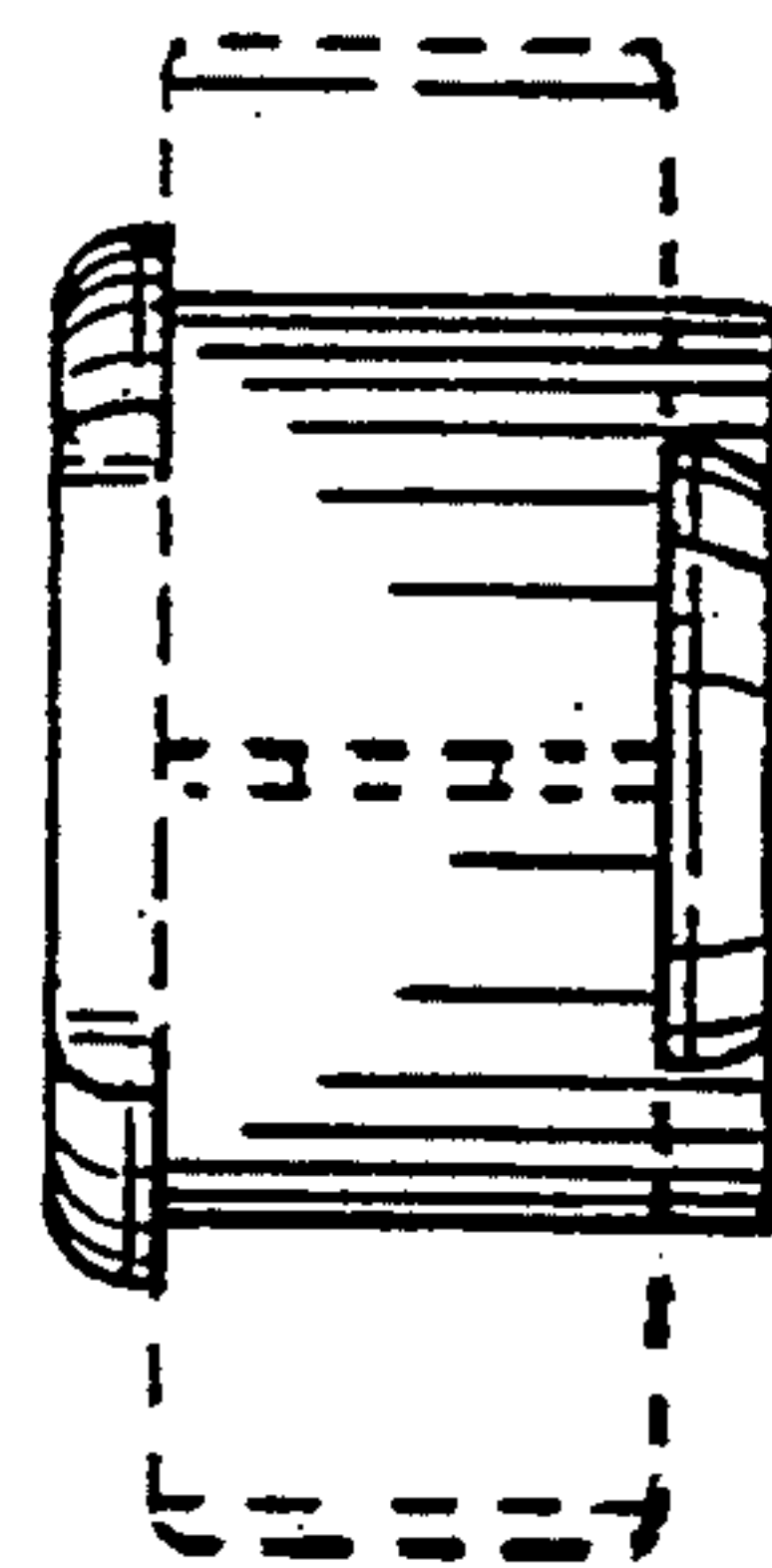


FIG. 3

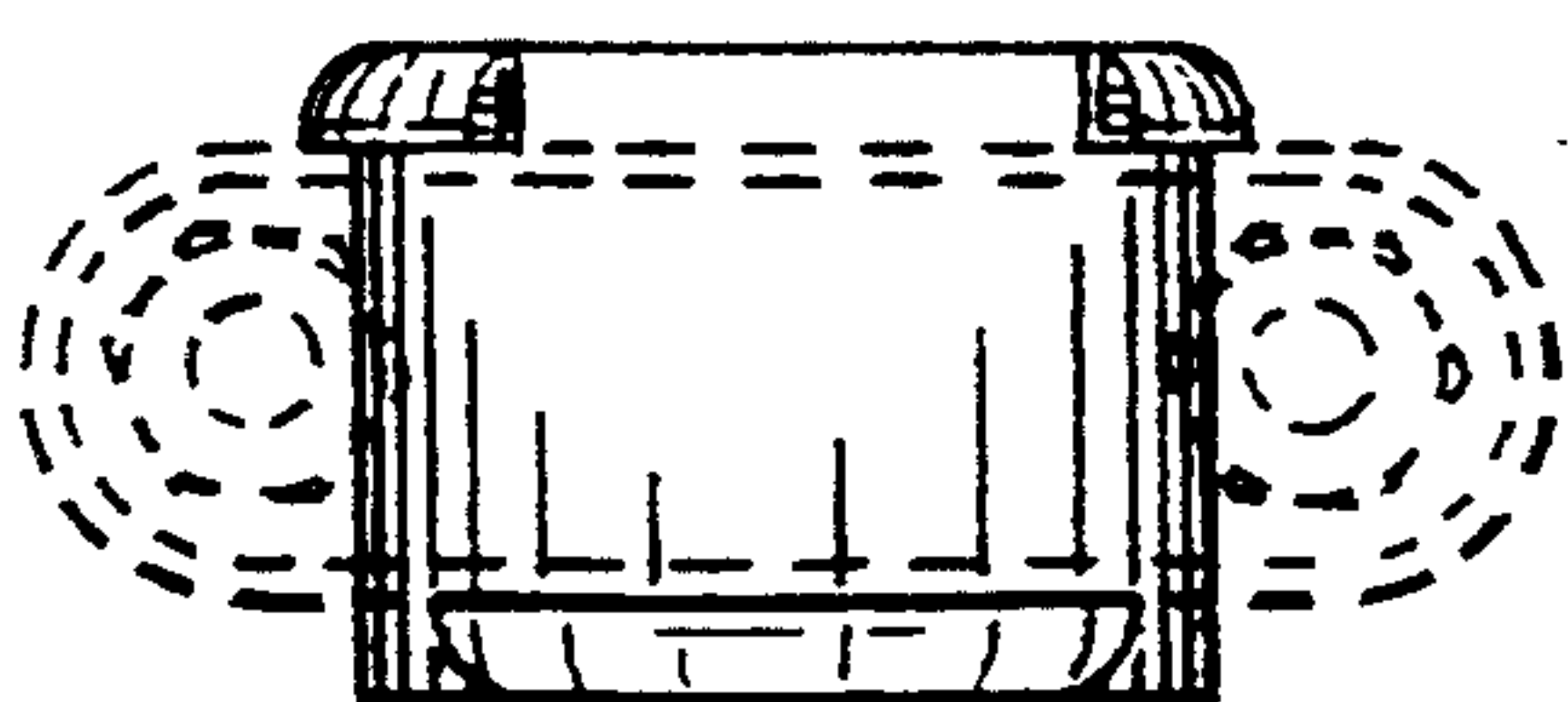


FIG. 4

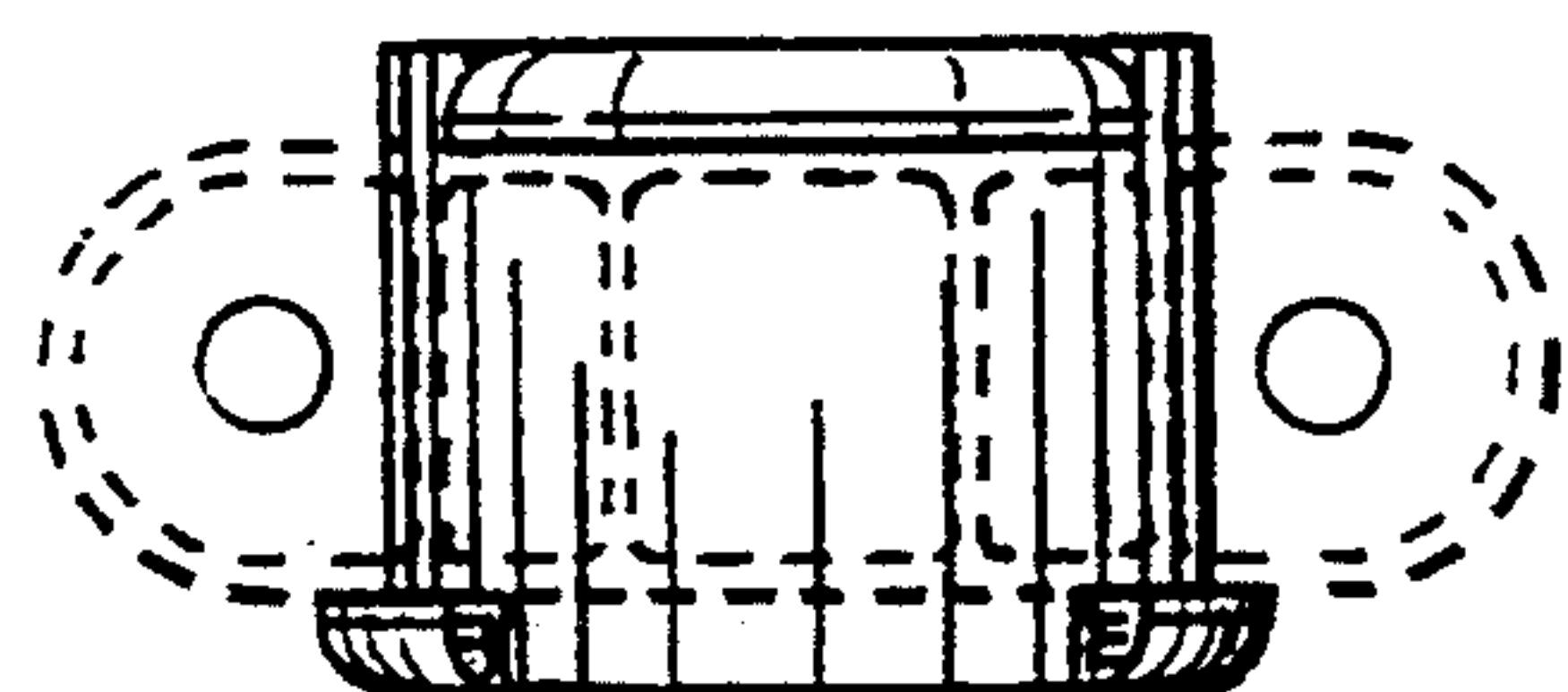


FIG. 5

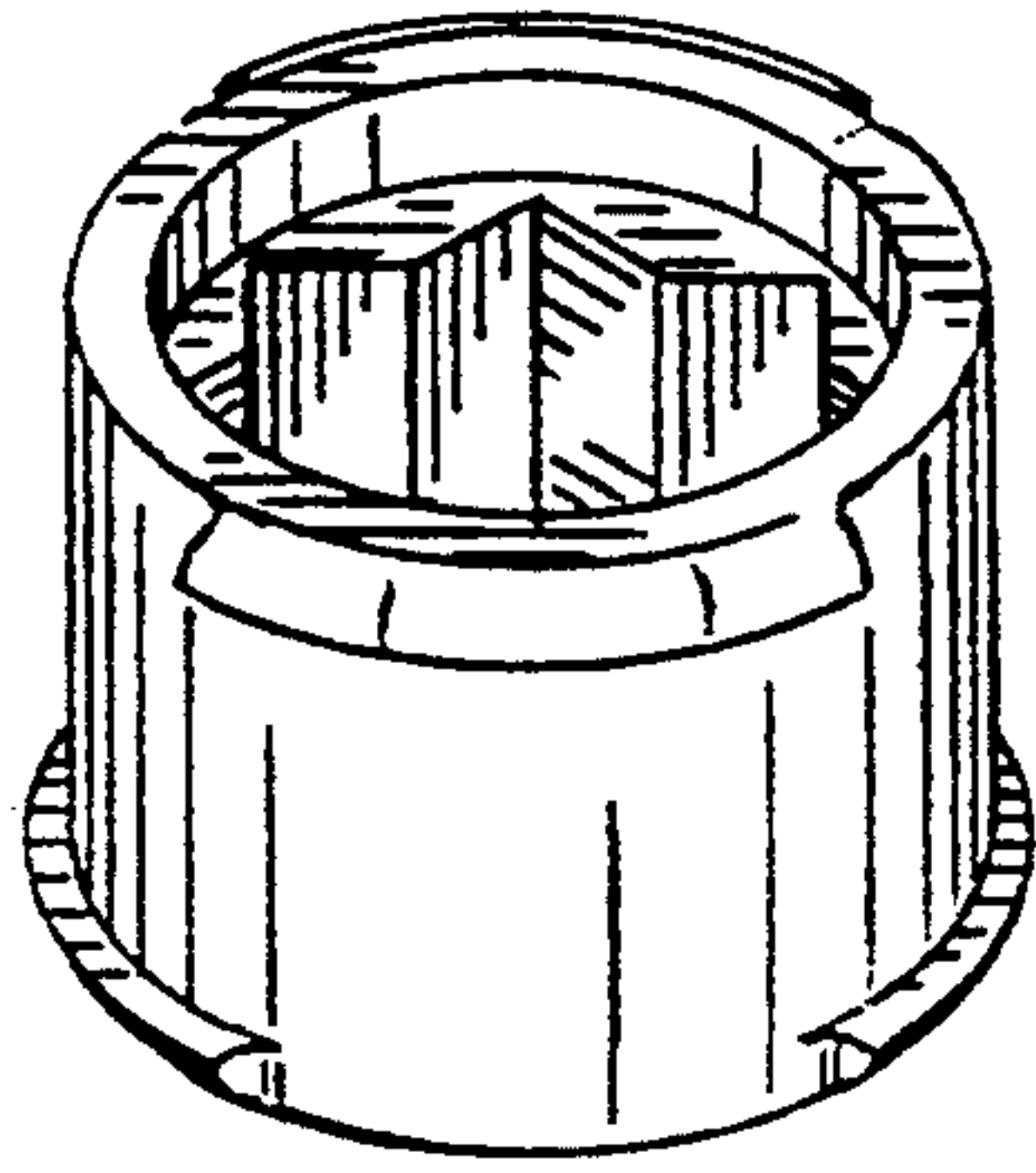


FIG. 6

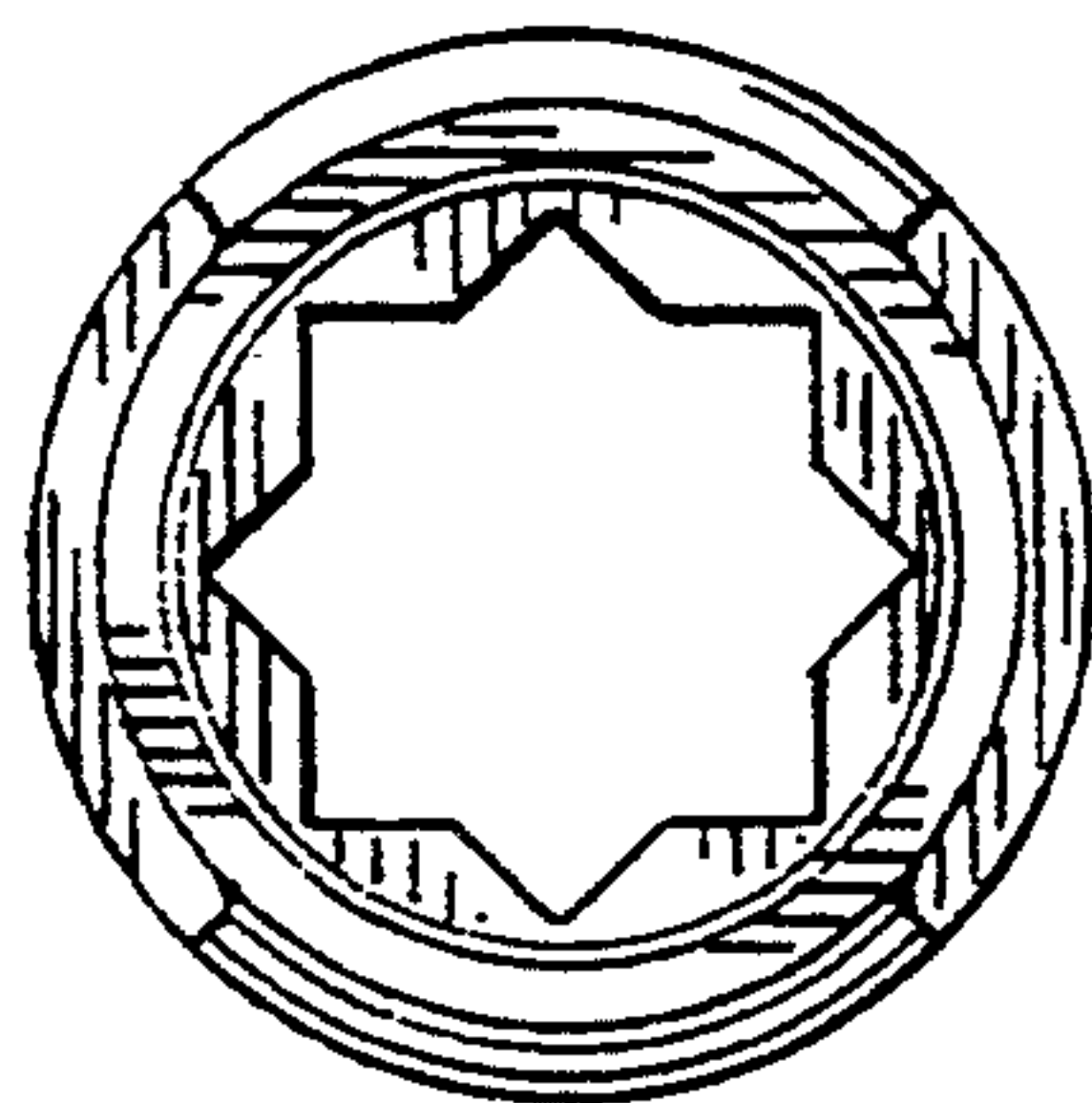


FIG. 7

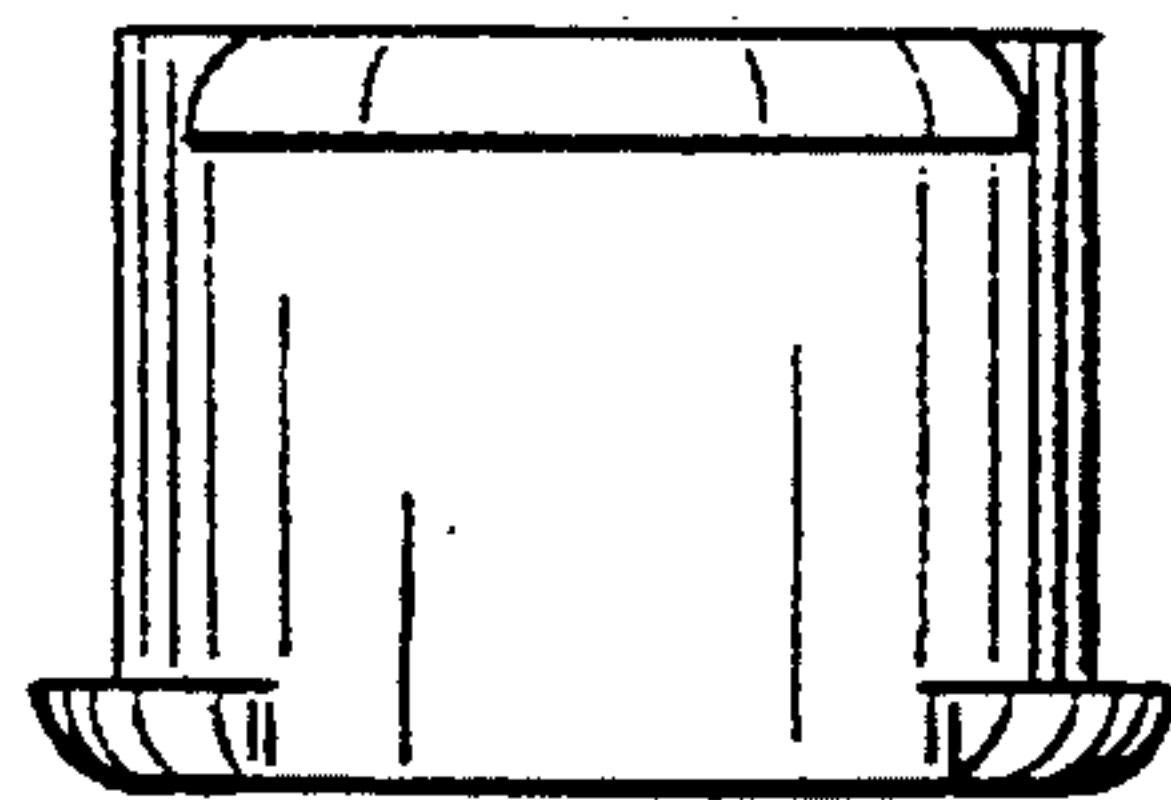


FIG. 8