



US00D356880S

United States Patent [19] Kieft

[11] Patent Number: **Des. 356,880**
[45] Date of Patent: **** Mar. 28, 1995**

[54] **BASE FOR AN UPRIGHT VACUUM CLEANER**
[75] Inventor: **Milton G. Kieft, Canton, Ohio**
[73] Assignee: **The Hoover Company, North Canton, Ohio**
[**] Term: **14 Years**
[21] Appl. No.: **15,611**
[22] Filed: **Nov. 22, 1993**
[52] U.S. Cl. **D32/31**
[58] Field of Search 15/350, 351; D32/15, D32/21-25, 31-33

5,309,601 5/1994 Hampton et al. 15/350

FOREIGN PATENT DOCUMENTS

69550 11/1991 Canada .

OTHER PUBLICATIONS

Photo Royal® Dirt Devil Plus 67 cleaner, Model 6232—Purchased Sep. 29, 1992.
Service Merchandise Catalog; Dec. 20, 1992; p. 38;
Eureka 9730EU Powerline Gold Plus Upright Vacuum Cleaner.

Primary Examiner—Cathy Anne MacCormac

[57] CLAIM

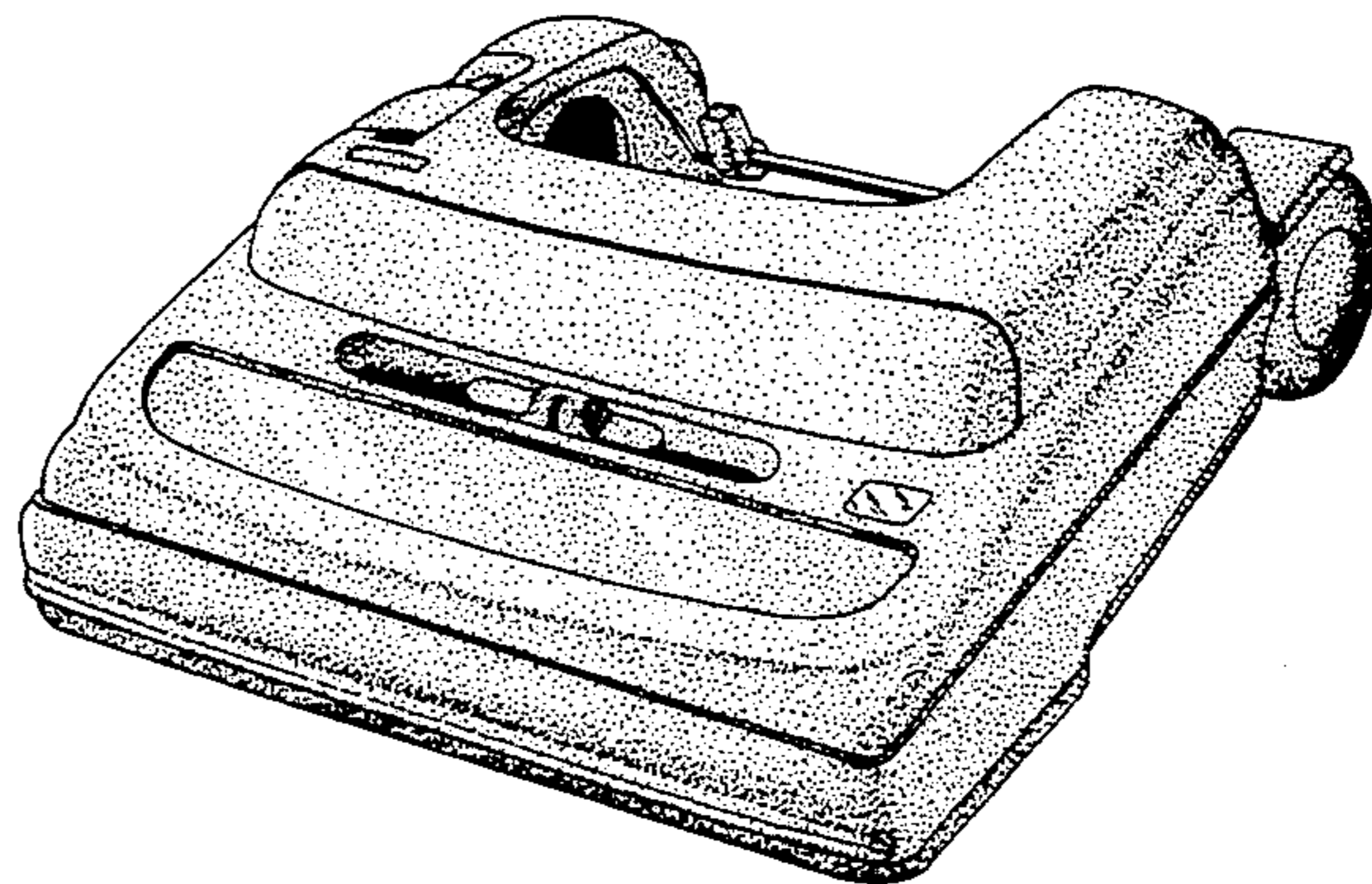
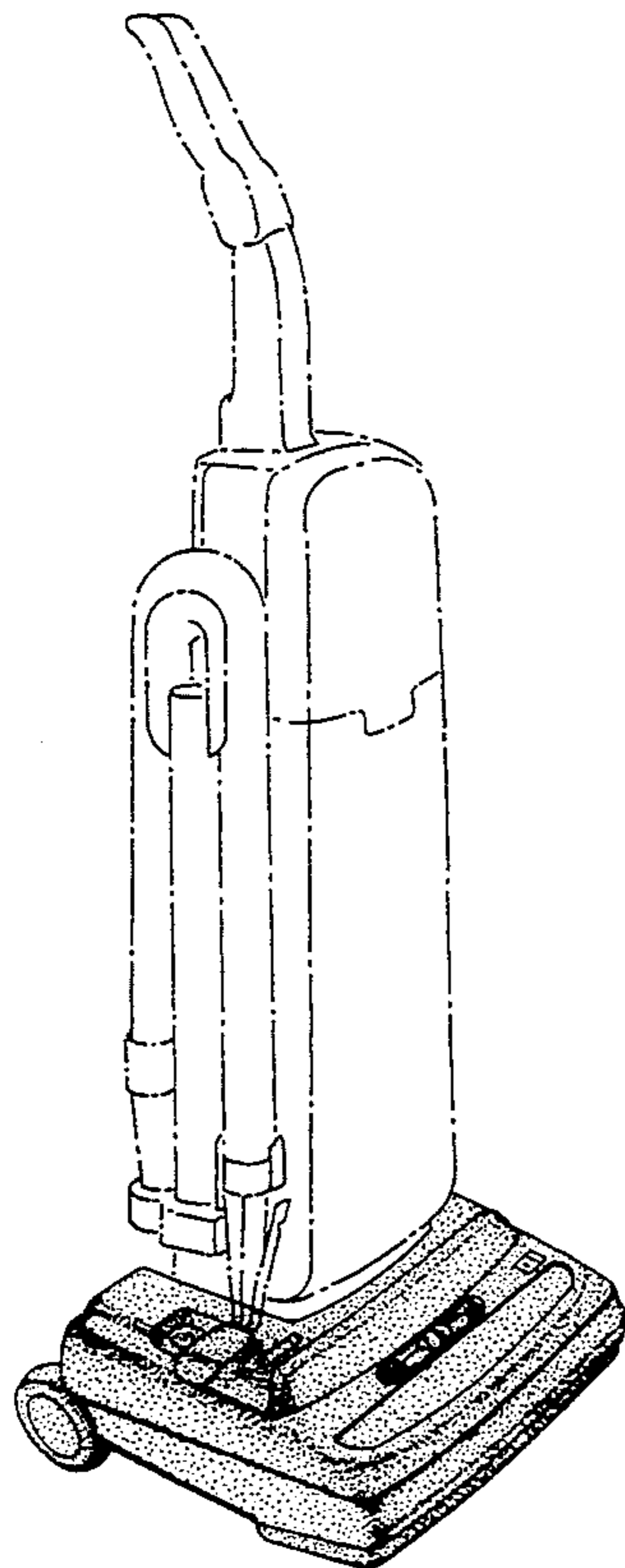
The ornamental design for a base for an upright vacuum cleaner, as shown and described.

DESCRIPTION

FIG. 1 is a top, front and left side perspective view of a base for an upright vacuum cleaner showing my new design;
FIG. 2 is a top, front and right side perspective view thereof;
FIG. 3 is a top plan view thereof;
FIG. 4 is a front view thereof;
FIG. 5 is a right side elevational view thereof;
FIG. 6 is a left side elevational view thereof;
FIG. 7 is a rear view thereof; and,
FIG. 8 is a bottom view thereof.
The portion of the vacuum cleaner shown in broken lines in FIG. 1 is for illustrative purposes only and forms no part of the claimed design.

[56] References Cited U.S. PATENT DOCUMENTS

D. 146,124	12/1946	Walker	D9/2
D. 180,394	6/1957	Dreyfuss	D9/2
D. 249,349	9/1978	Wareham	D15/63
D. 263,235	3/1982	Akita	D15/5
D. 305,169	12/1989	Essex et al.	D32/31
D. 314,072	1/1991	Shinozaki et al.	D32/22
D. 314,264	1/1991	Kim	D32/33
D. 314,265	1/1991	Hong	D32/33
D. 326,006	5/1992	Moine	D32/32
D. 329,513	9/1992	Kieft et al.	D32/32
D. 333,892	3/1993	Wareham	D32/32
D. 343,483	1/1994	Hoshino	D32/31
D. 349,371	8/1994	Furcron et al.	D32/31
3,031,710	5/1962	Huening, Jr.	15/350
3,634,905	1/1972	Boyd	15/350
4,364,146	12/1982	Bowerman	15/351
5,283,939	2/1994	Saunders et al.	15/351



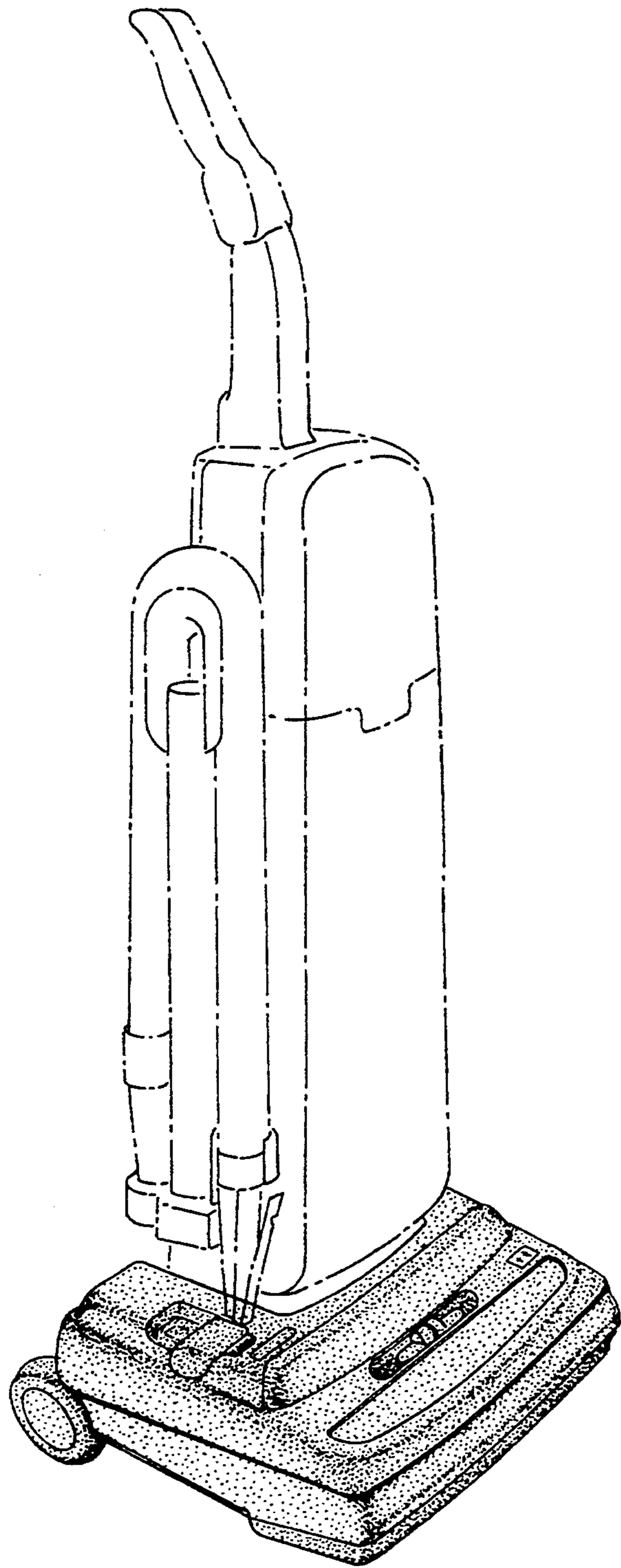


FIG.-1

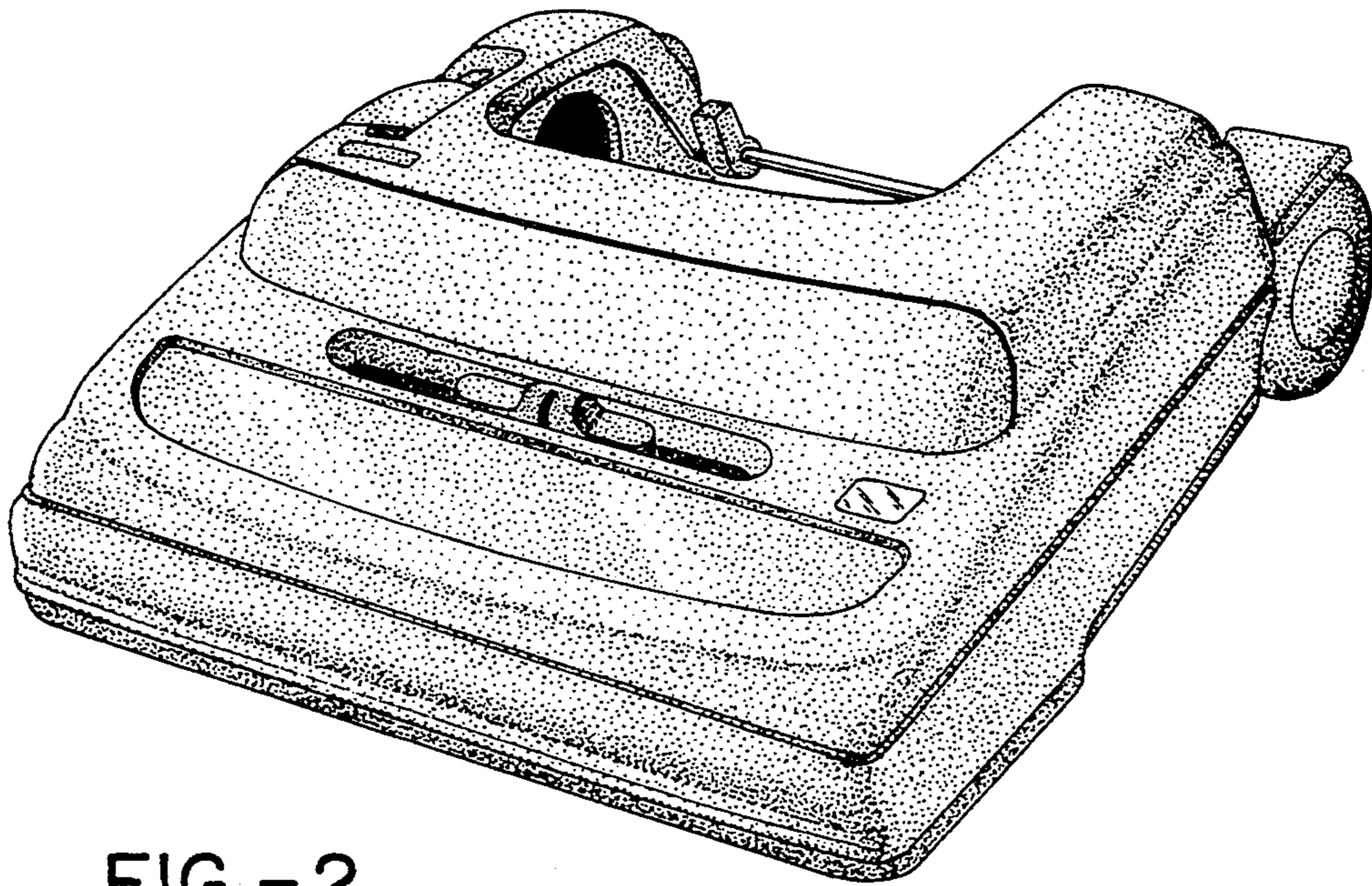


FIG. -2

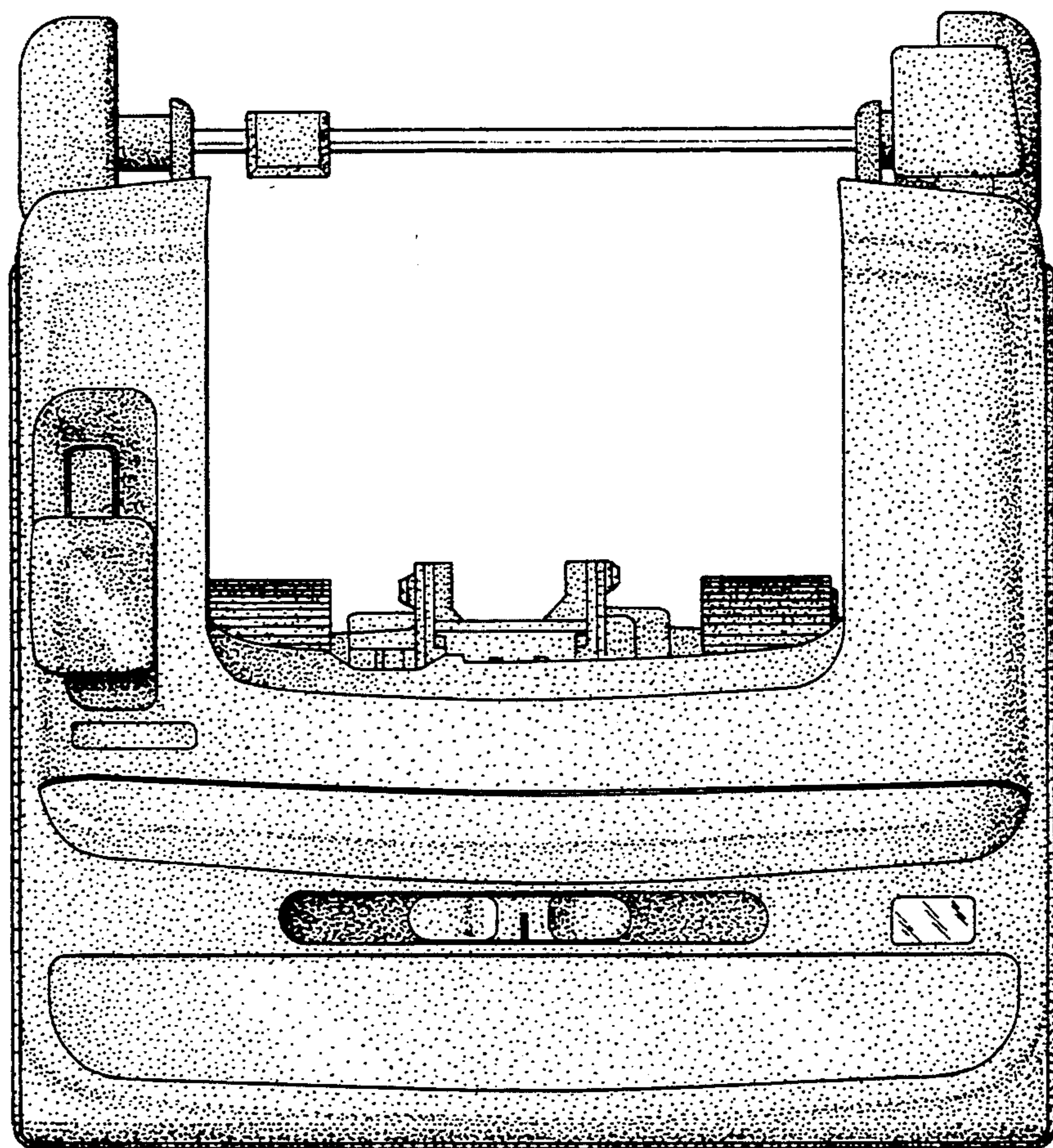


FIG. -3

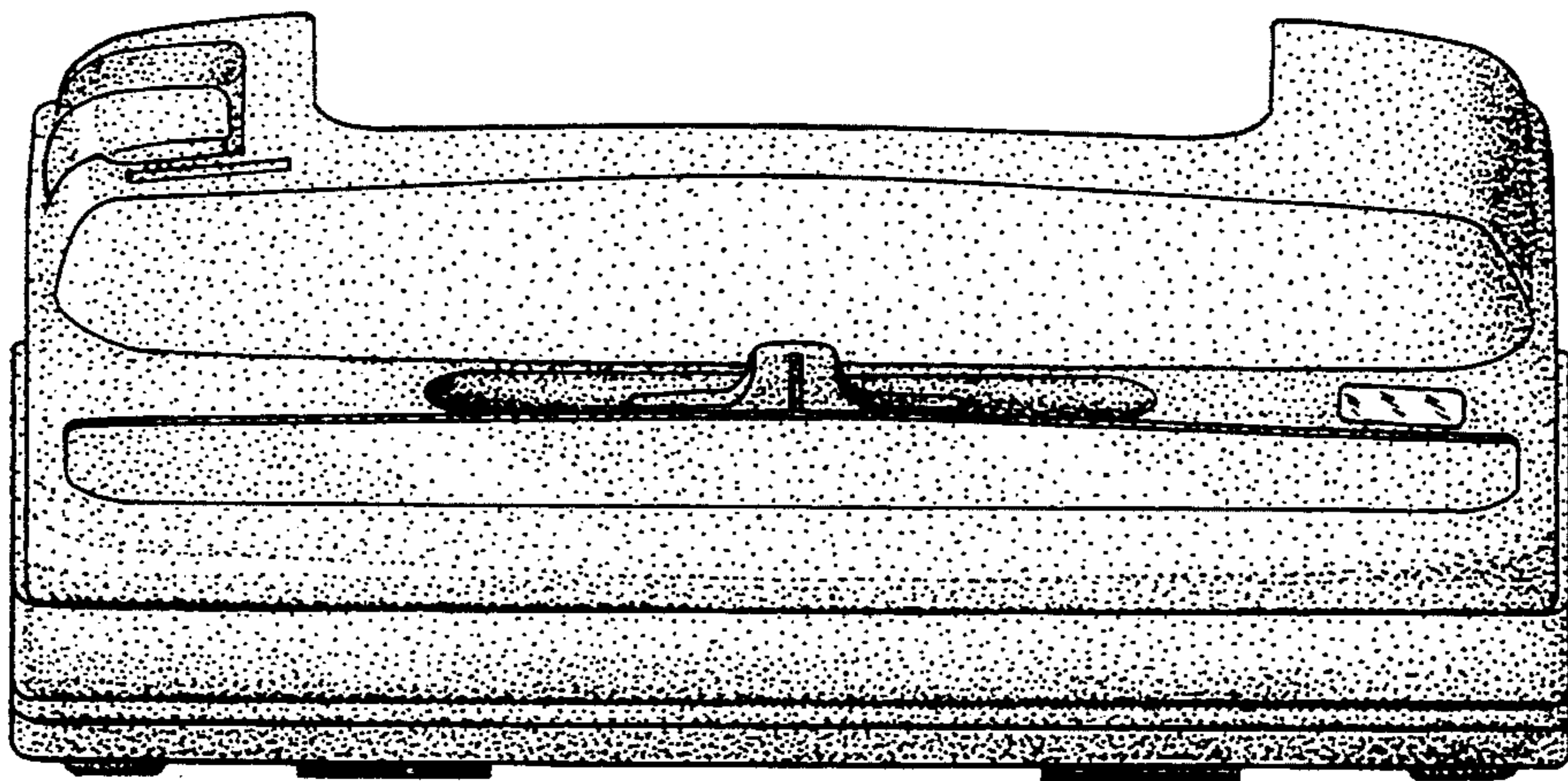


FIG.-4

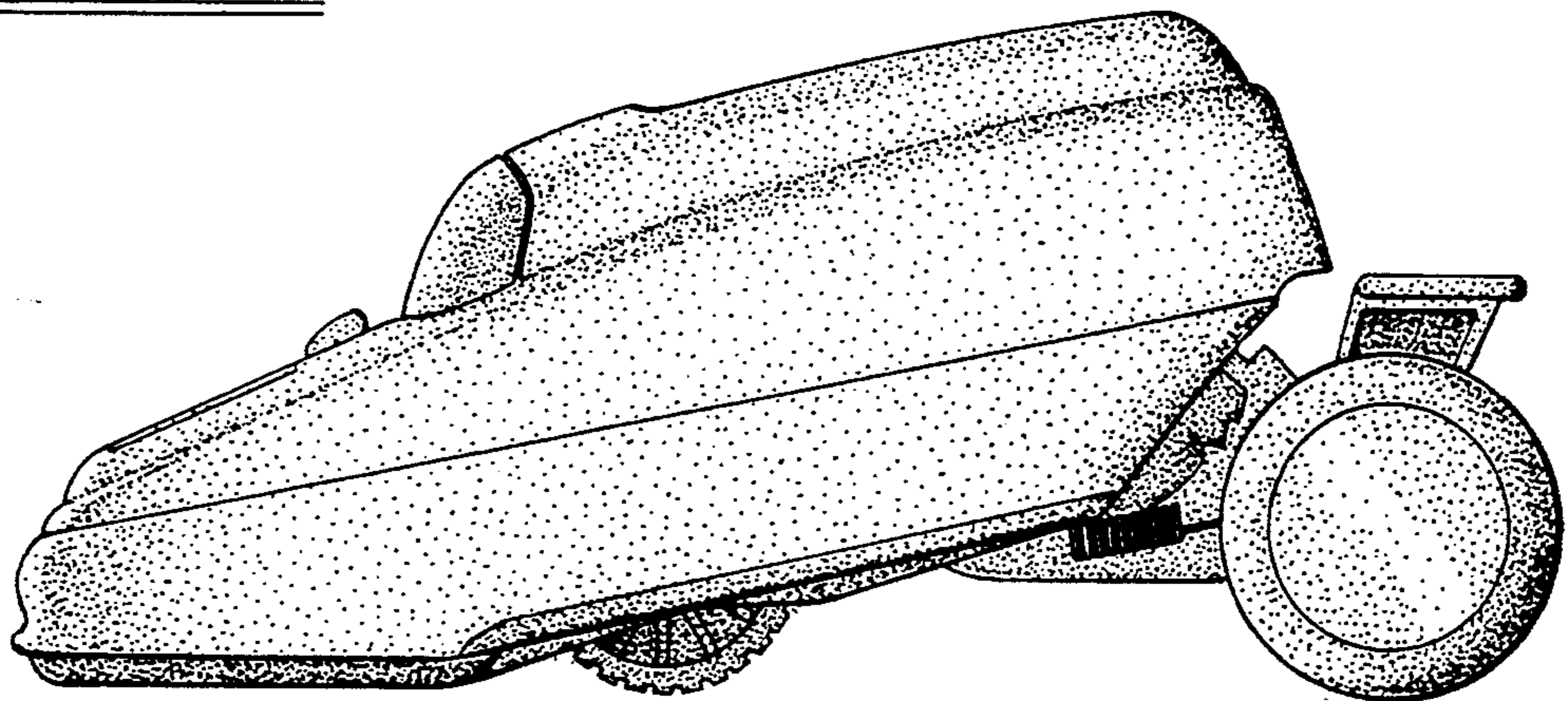


FIG.-5

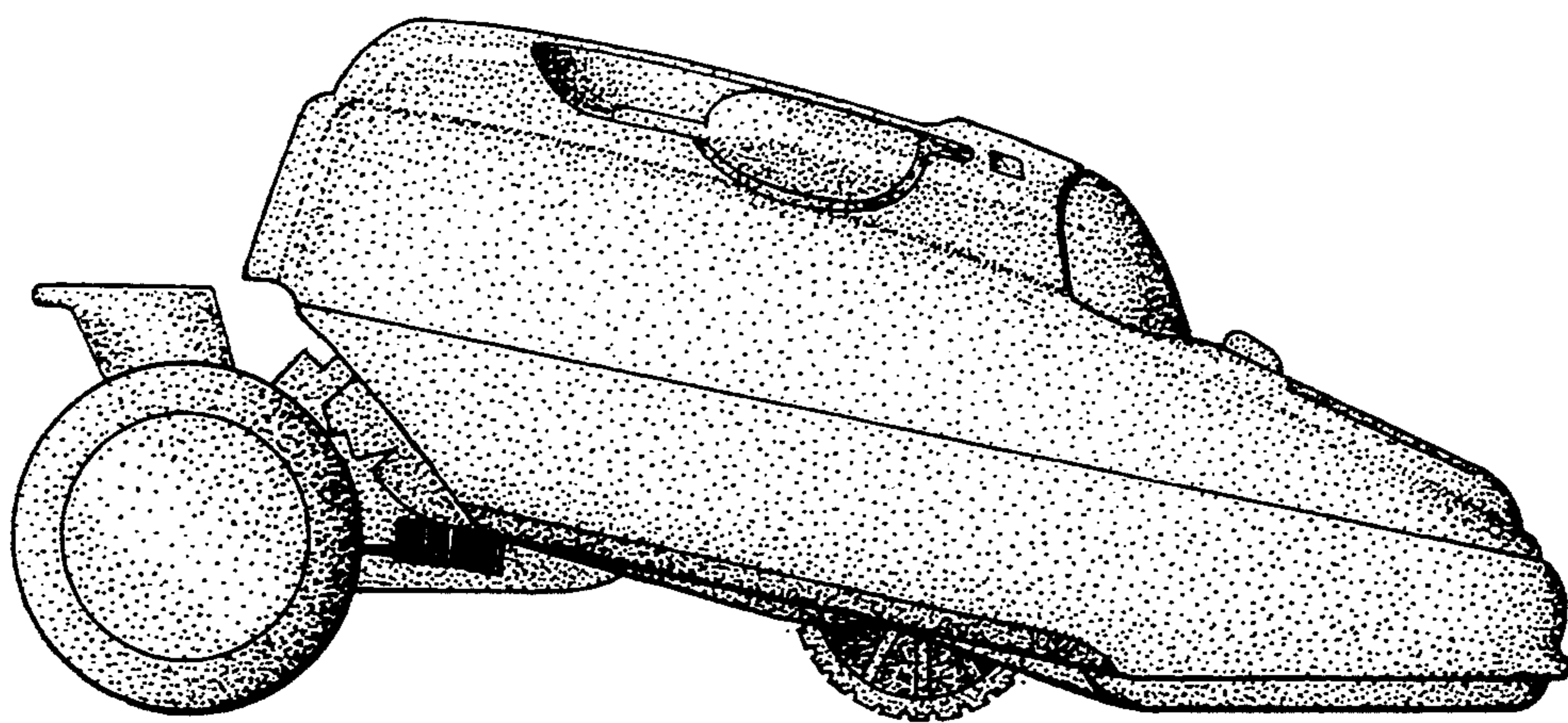


FIG.-6

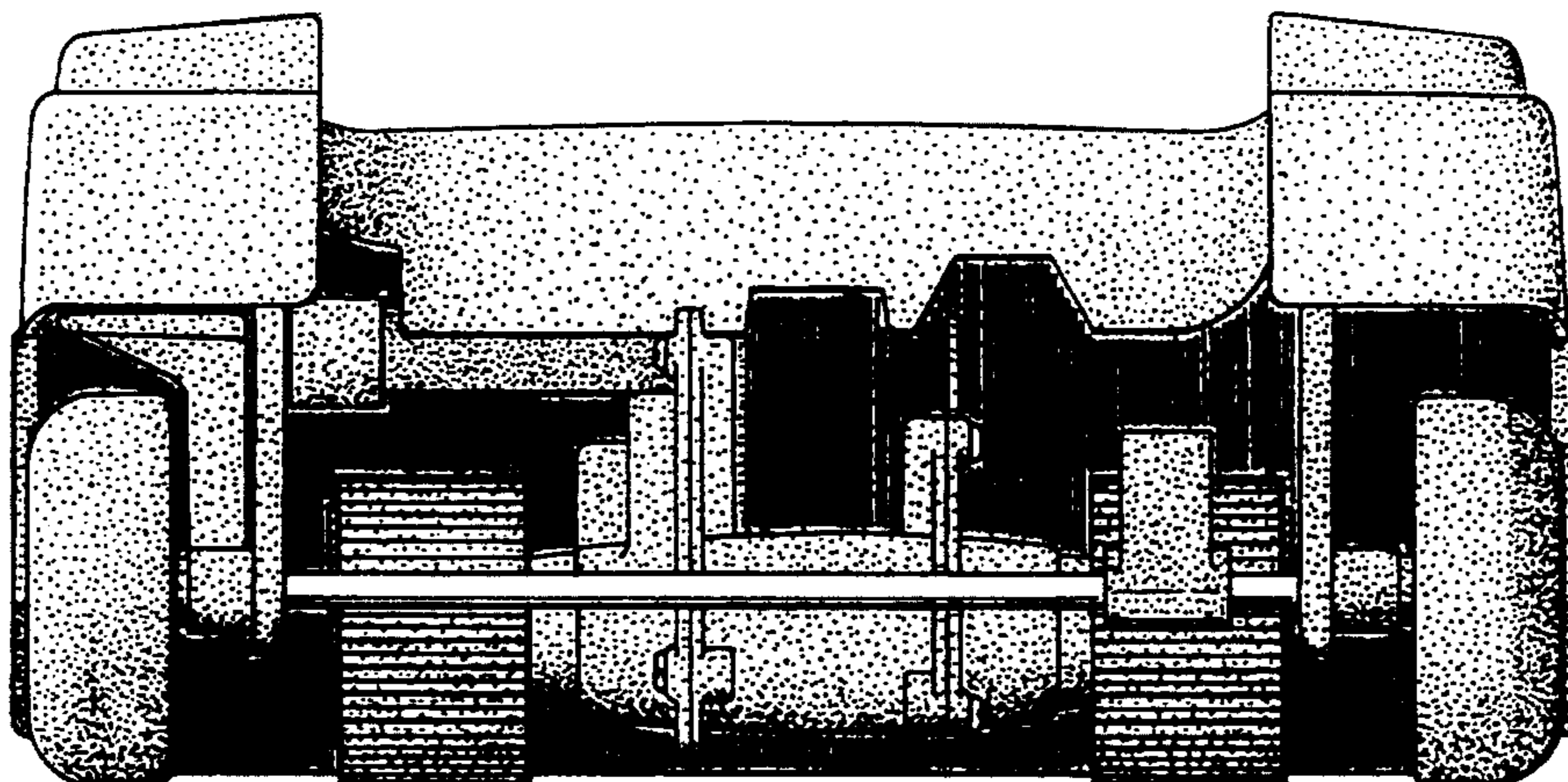


FIG.-7

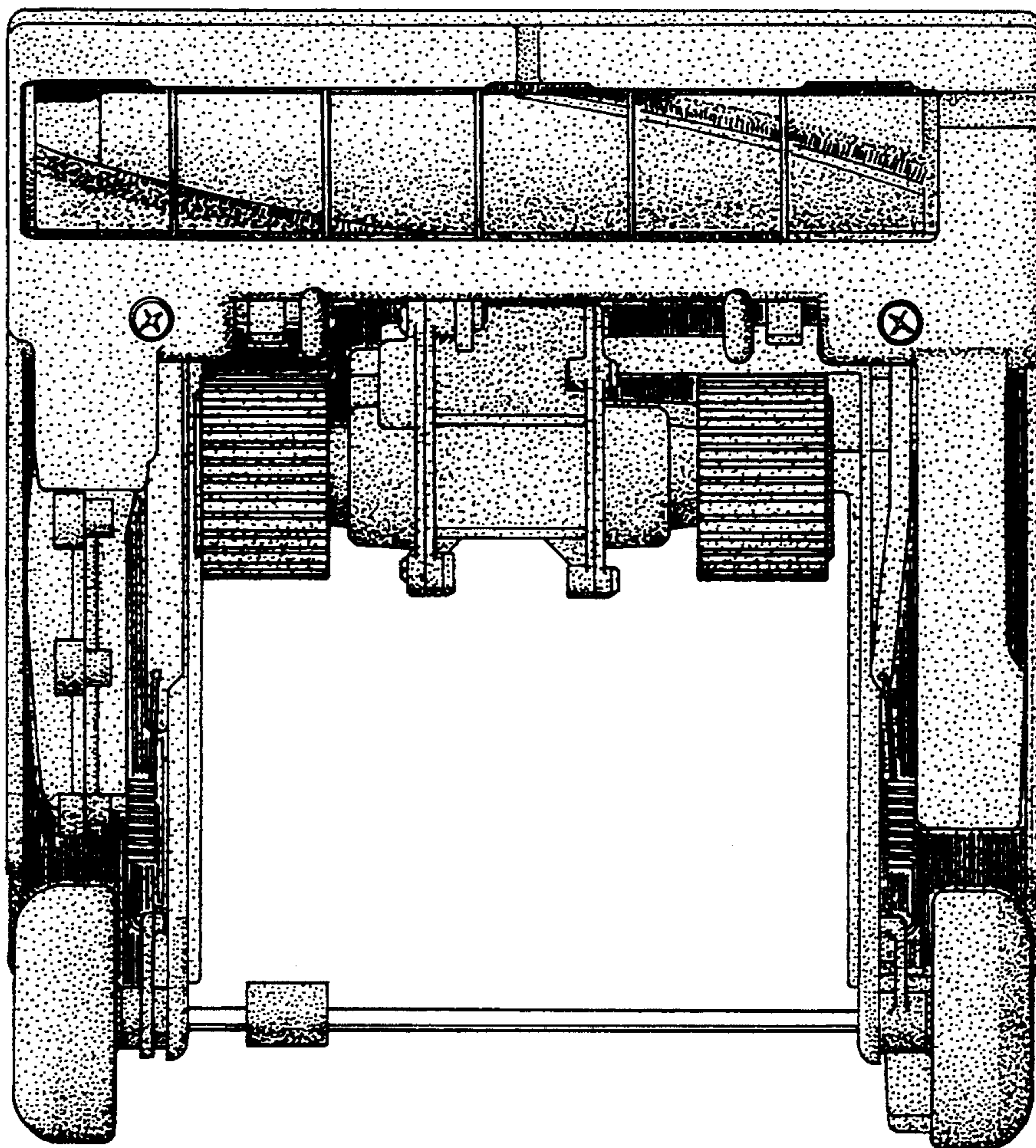


FIG.-8