



US00D356876S

United States Patent [19]

[11] Patent Number: **Des. 356,876**

Waldmann

[45] Date of Patent: **** Mar. 28, 1995**

[54] INDIRECT LIGHTING UNIT

[75] Inventor: **Herbert Waldmann**, Bad Dür rheim, Germany

[73] Assignee: **Herbert Waldmann GmbH & Co.**, Villingen-Schwenningen, Germany

[**] Term: **14 Years**

[21] Appl. No.: **11,802**

[22] Filed: **Aug. 13, 1993**

[30] Foreign Application Priority Data

Feb. 13, 1990 [DE] Germany 93 01 216.0

[52] U.S. Cl. **D26/107; D26/72**

[58] Field of Search **D26/93, 102-112, D26/72; 362/410-414, 431, 33, 240, 242, 249, 342**

[56] References Cited

U.S. PATENT DOCUMENTS

D. 321,407	11/1991	Heidman	D26/72
3,389,246	6/1968	Shemitz	362/342 X
3,700,877	10/1972	Wilson	362/324 X
4,849,864	7/1989	Forrest	362/250 X
5,276,597	1/1994	Herst et al.	362/414 X

Primary Examiner—Susan J. Lucas

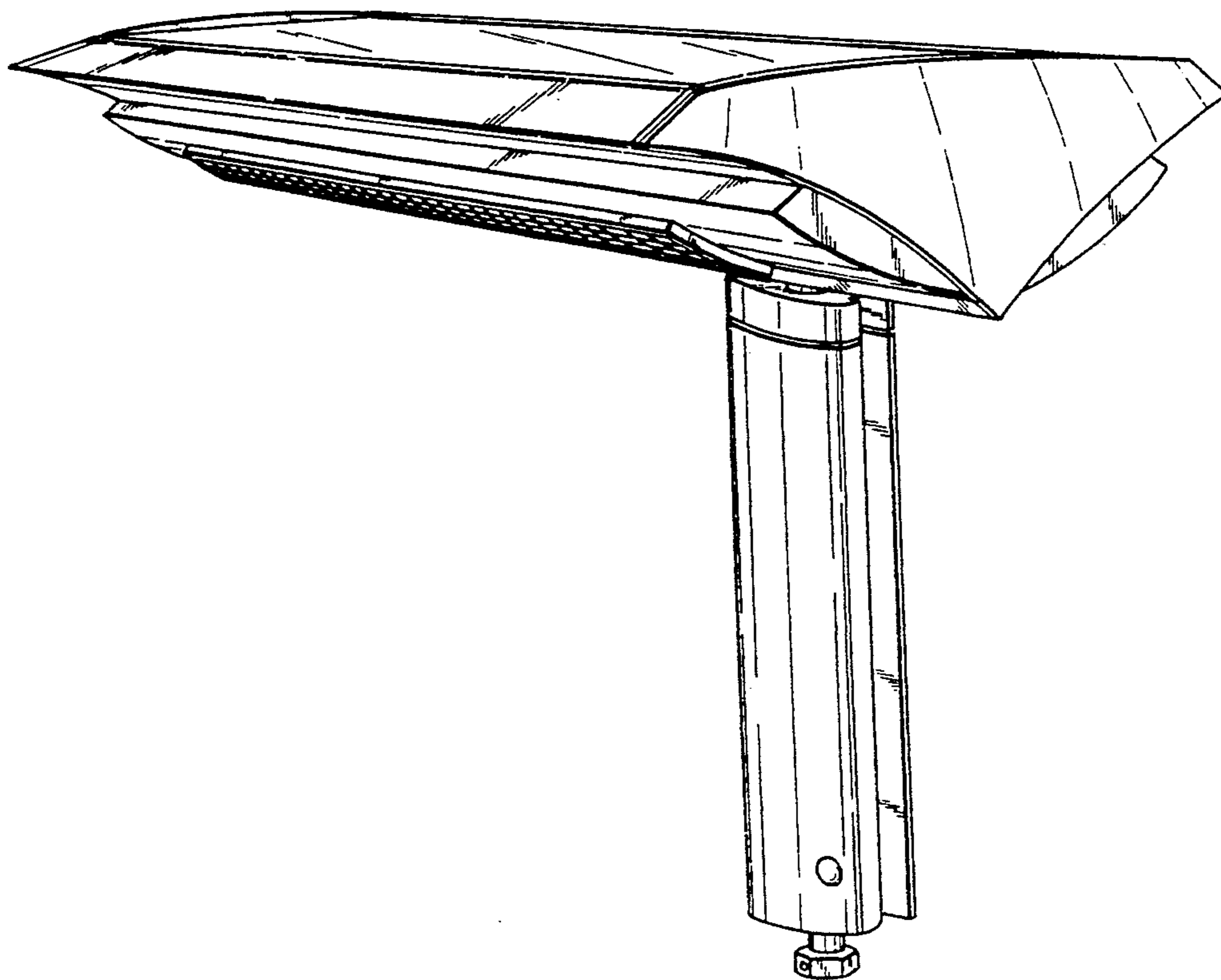
Attorney, Agent, or Firm—Eugene E. Renz, Jr.

[57] CLAIM

The ornamental design for indirect lighting unit, as shown and described.

DESCRIPTION

FIG. 1 is a perspective view of my design for an indirect lighting unit all in accordance with the invention; FIG. 2 is a side elevational view of the side opposite the side viewed in FIG. 1; FIG. 3 is a side elevational view of the indirect lighting unit shown in FIG. 1; FIG. 4 is a bottom plan view of FIG. 2; FIG. 5 is a top plan view of FIGS. 2 or 3; FIG. 6 is an end elevational view of the indirect lighting unit shown in FIG. 1, the opposite end elevational view being the same due to the symmetrical design of the indirect lighting unit; FIG. 7 is a side elevational view similar to FIG. 2 but showing a modification to the design in that the downwardly directed light grid has been removed from both sides of the indirect lighting unit and replaced by a smooth panel; FIG. 8 is a side elevational view of the modified indirect lighting unit as viewed from the opposite side of FIG. 7; FIG. 9 is a bottom plan view of FIG. 7 it is to be noted that the top plan view of the modified indirect lighting unit has a top plan view exactly the as shown in FIG. 5 of the drawings; and, FIG. 10 is an end elevational view as viewed from the right hand side of FIG. 8, the left hand side elevational view is the same.



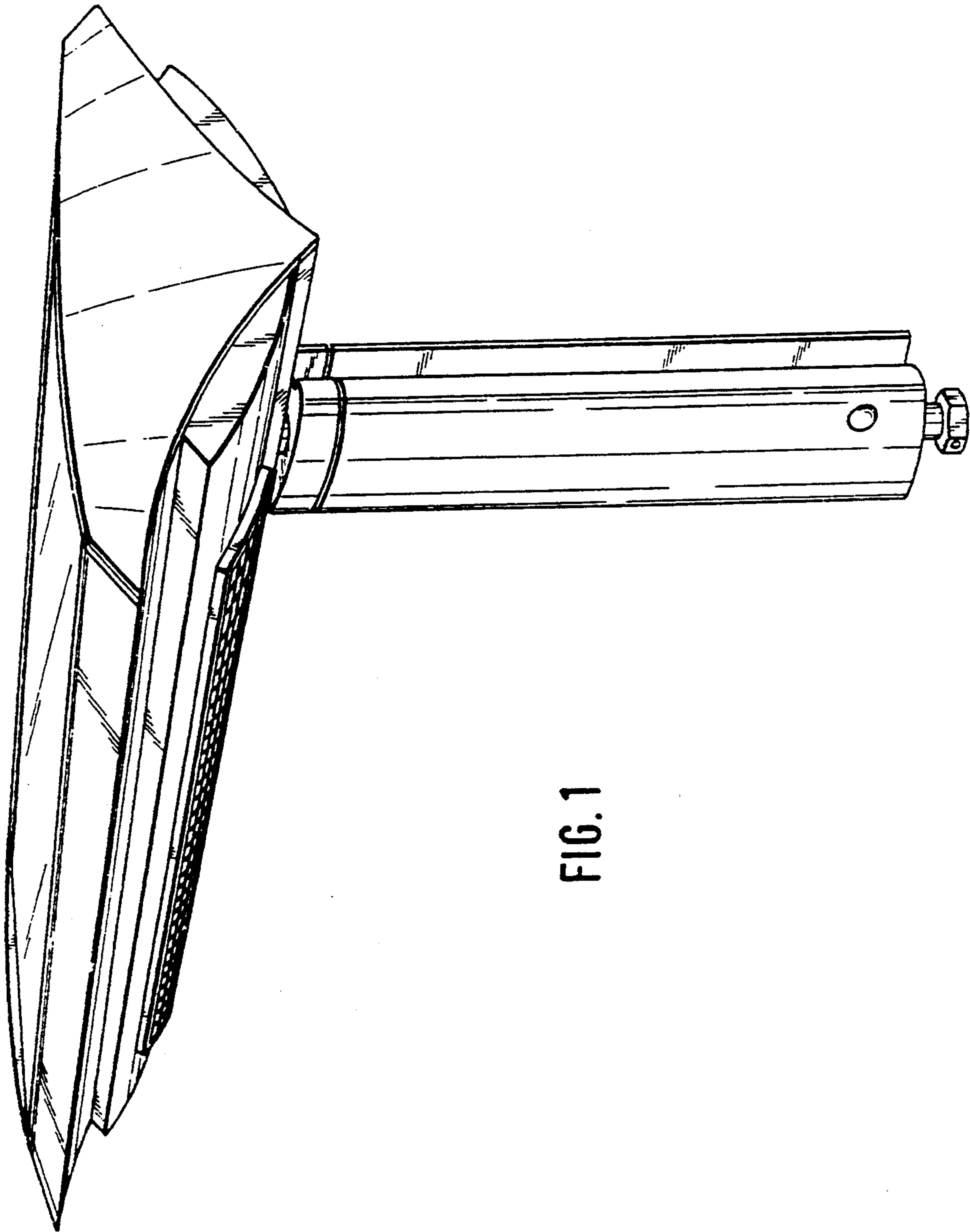


FIG. 1

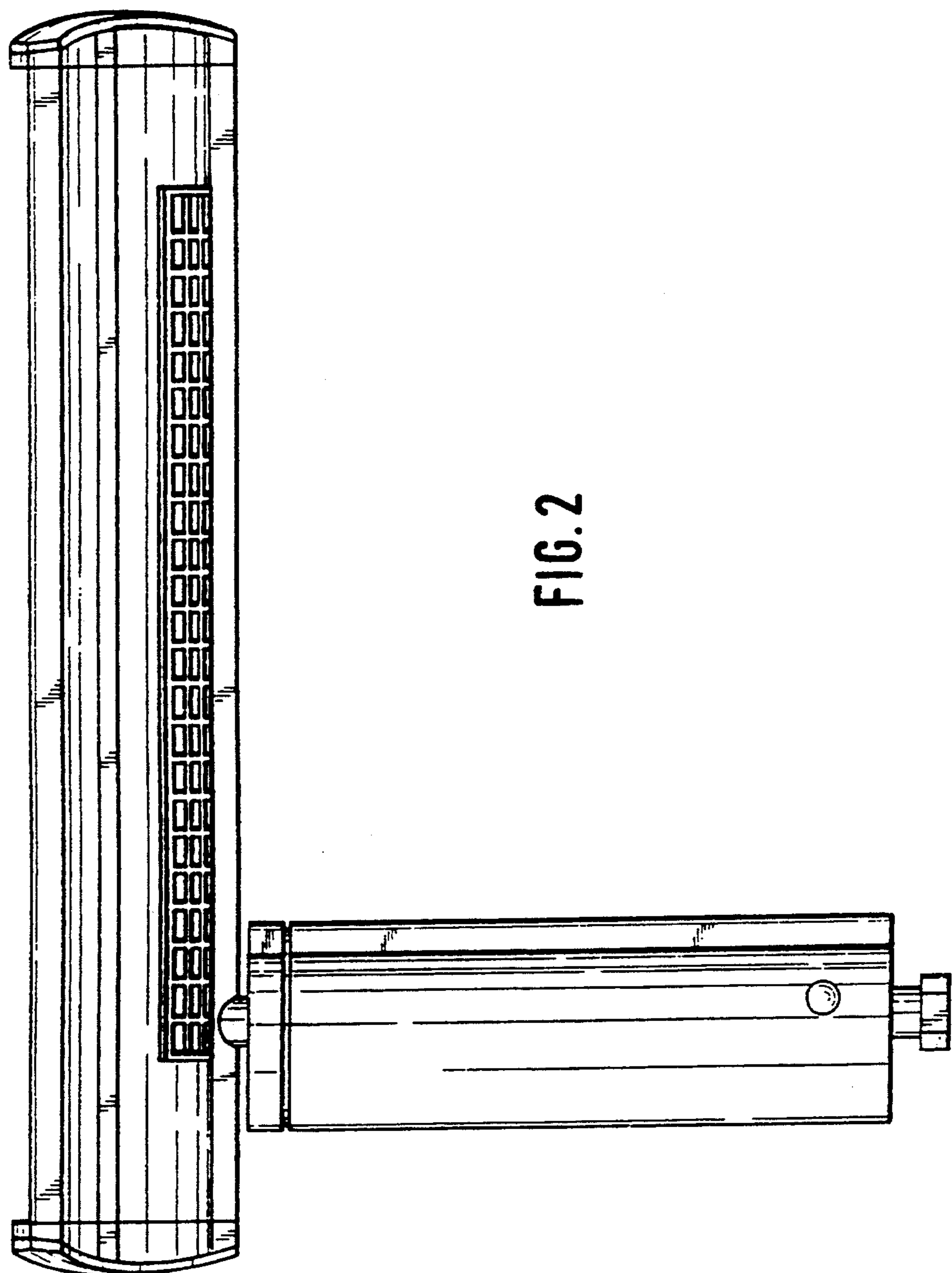


FIG. 2

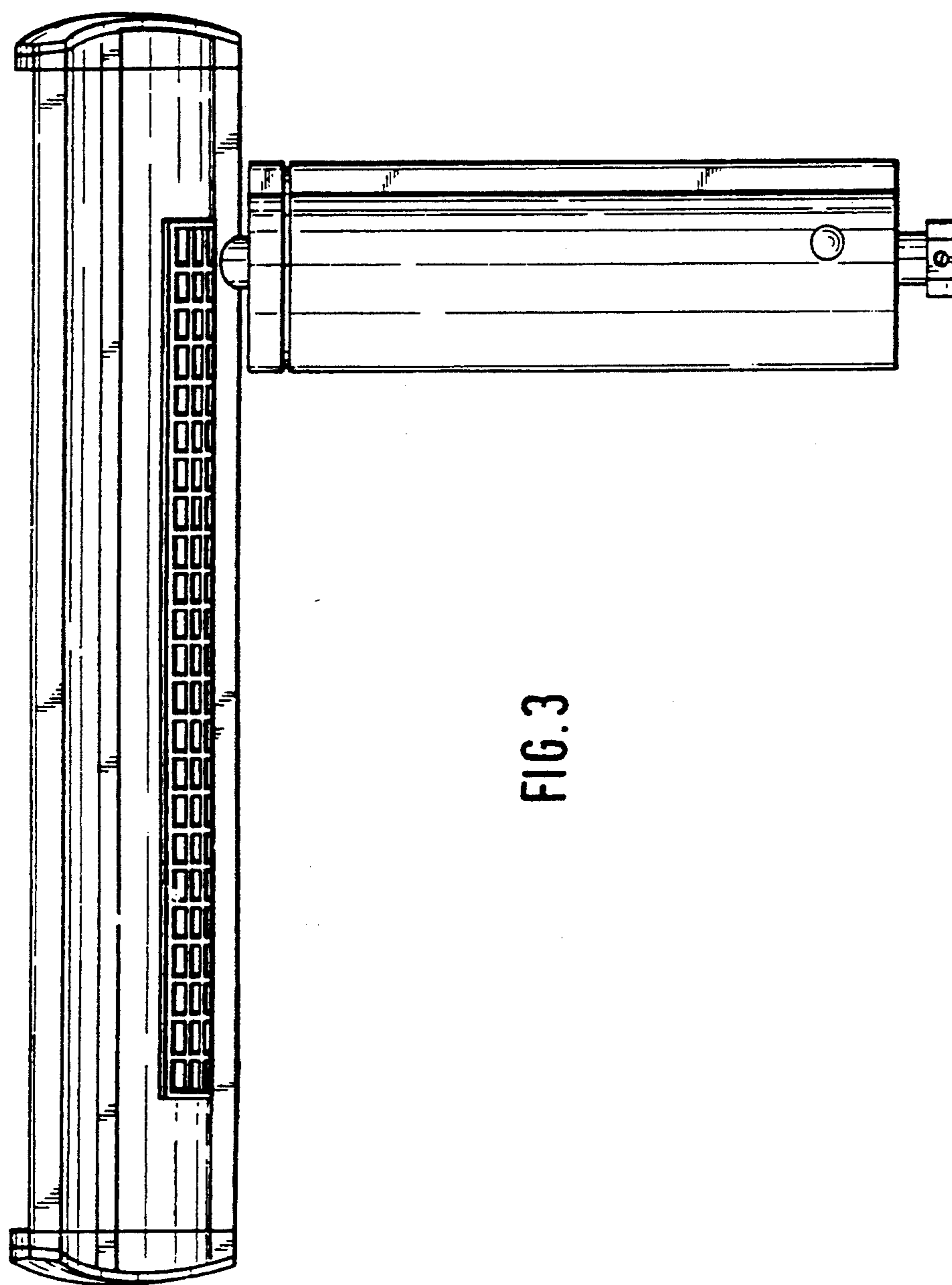


FIG. 3

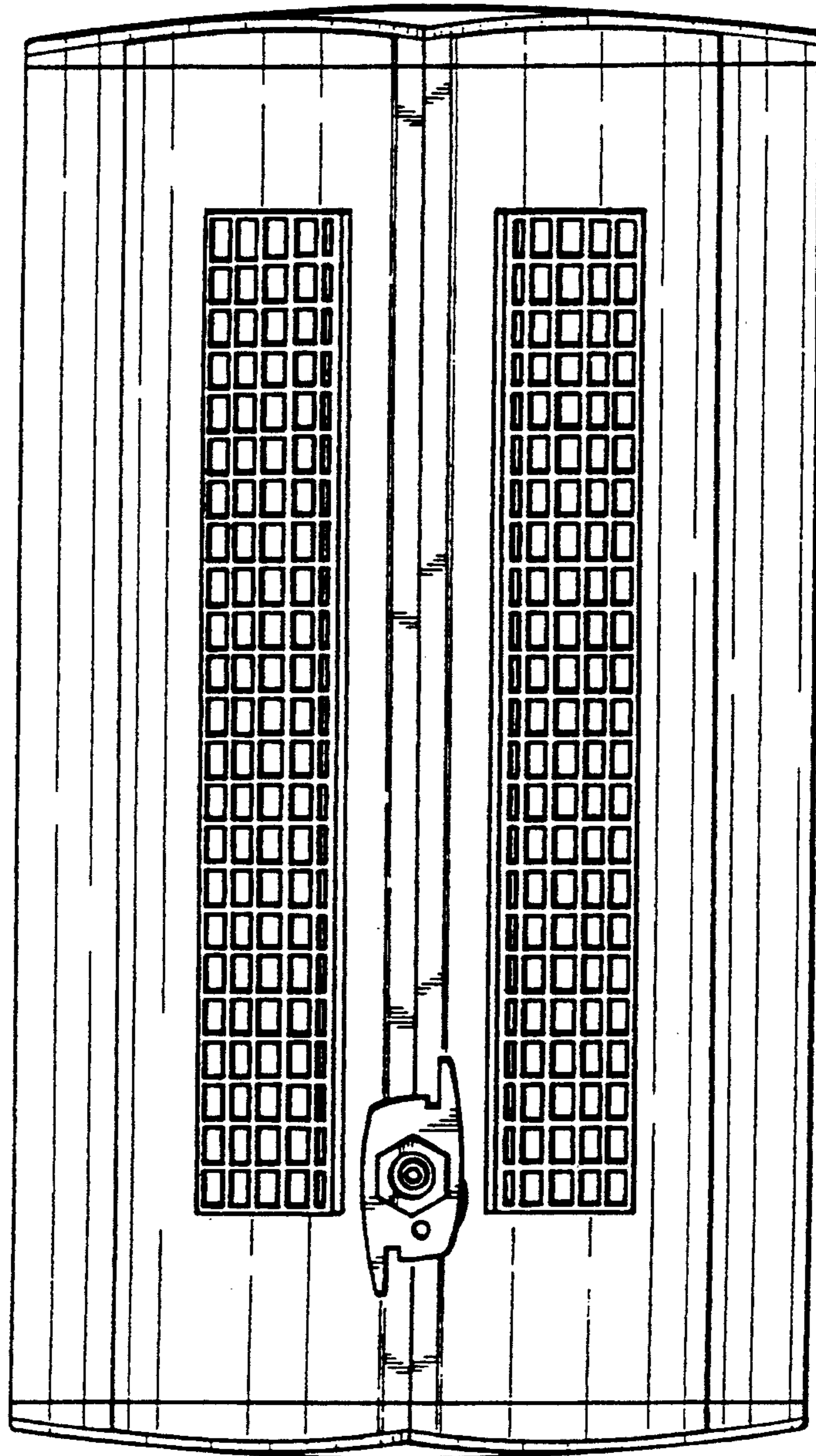


FIG. 4

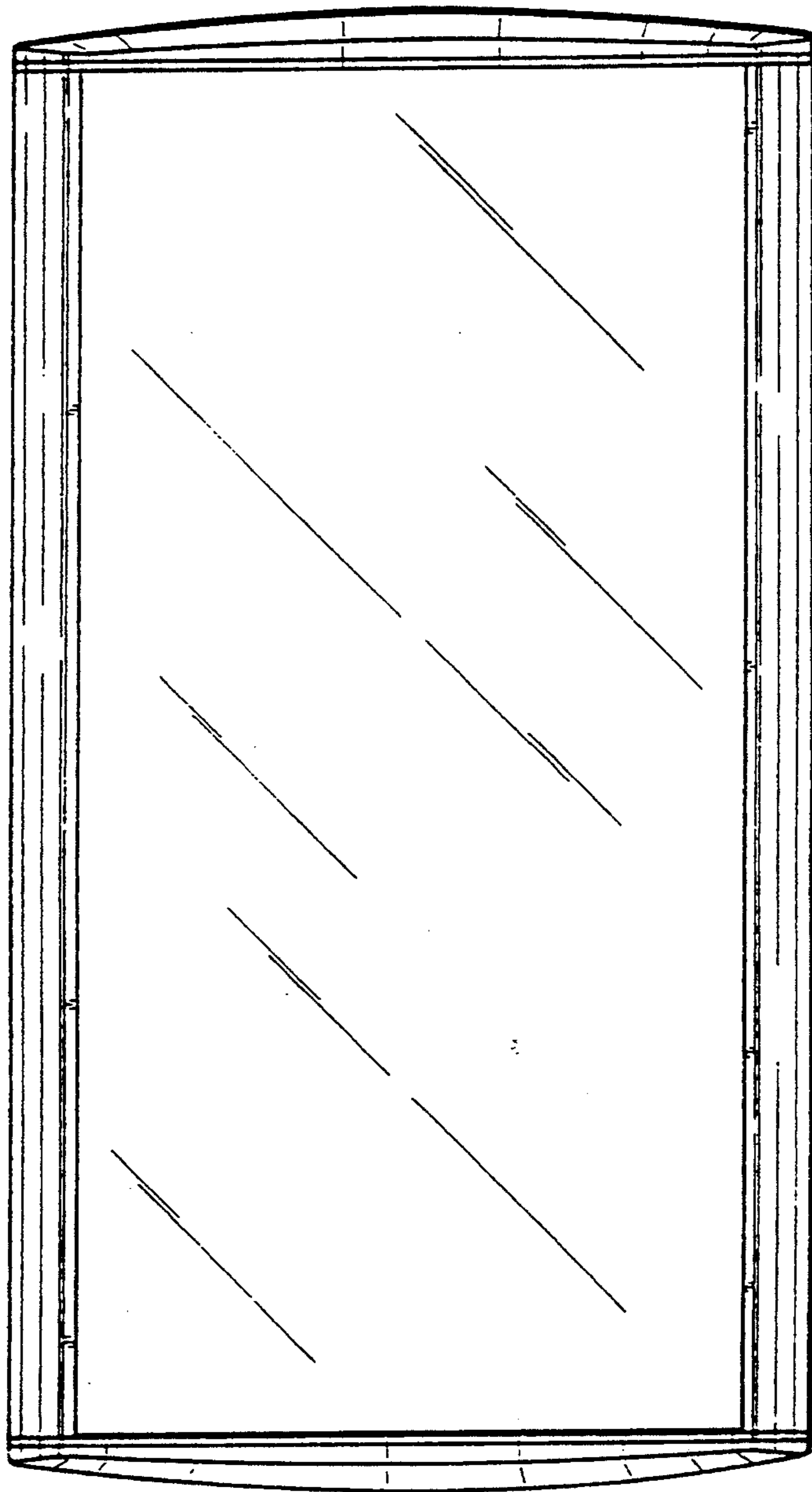


FIG. 5

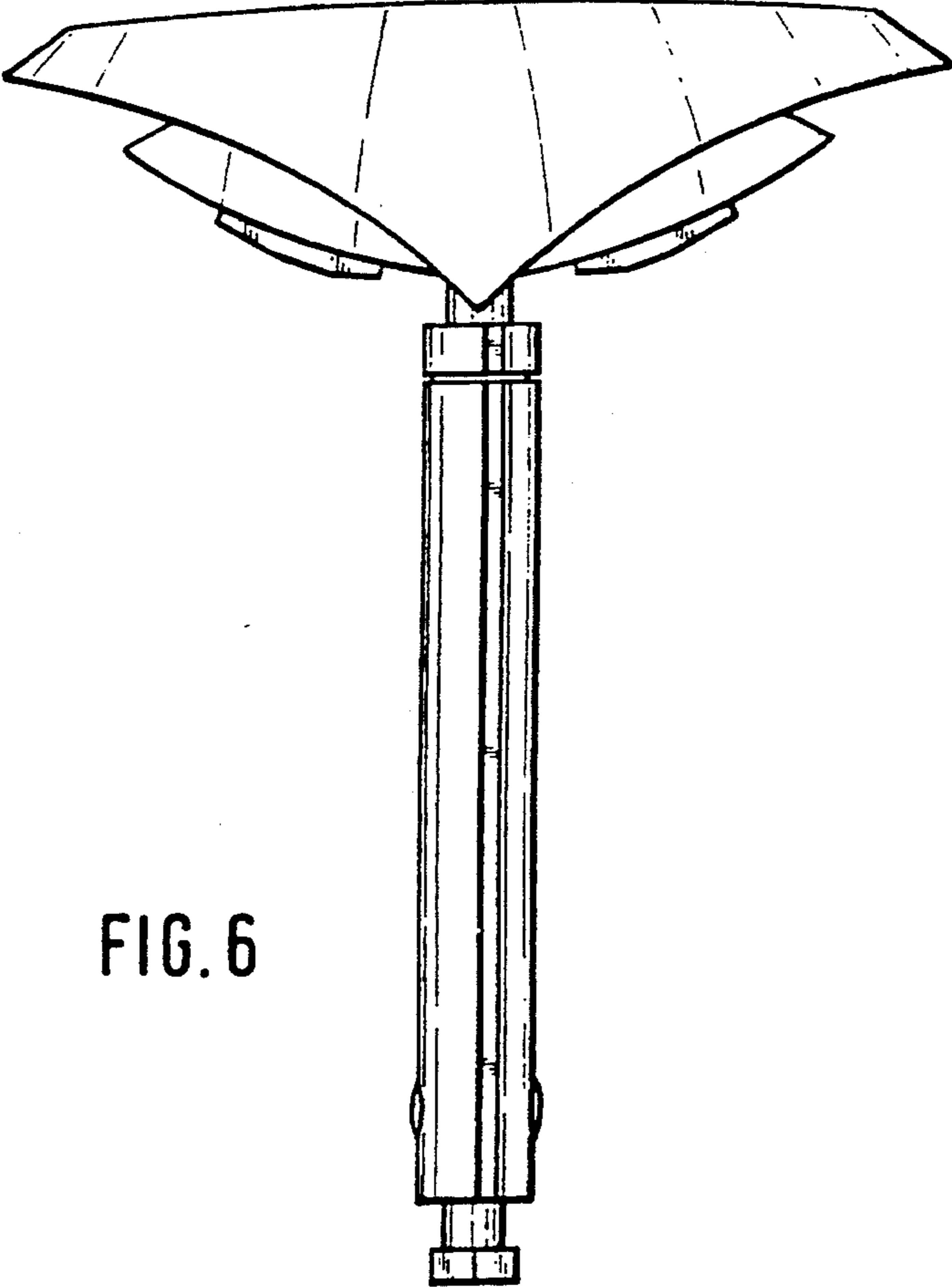


FIG. 6

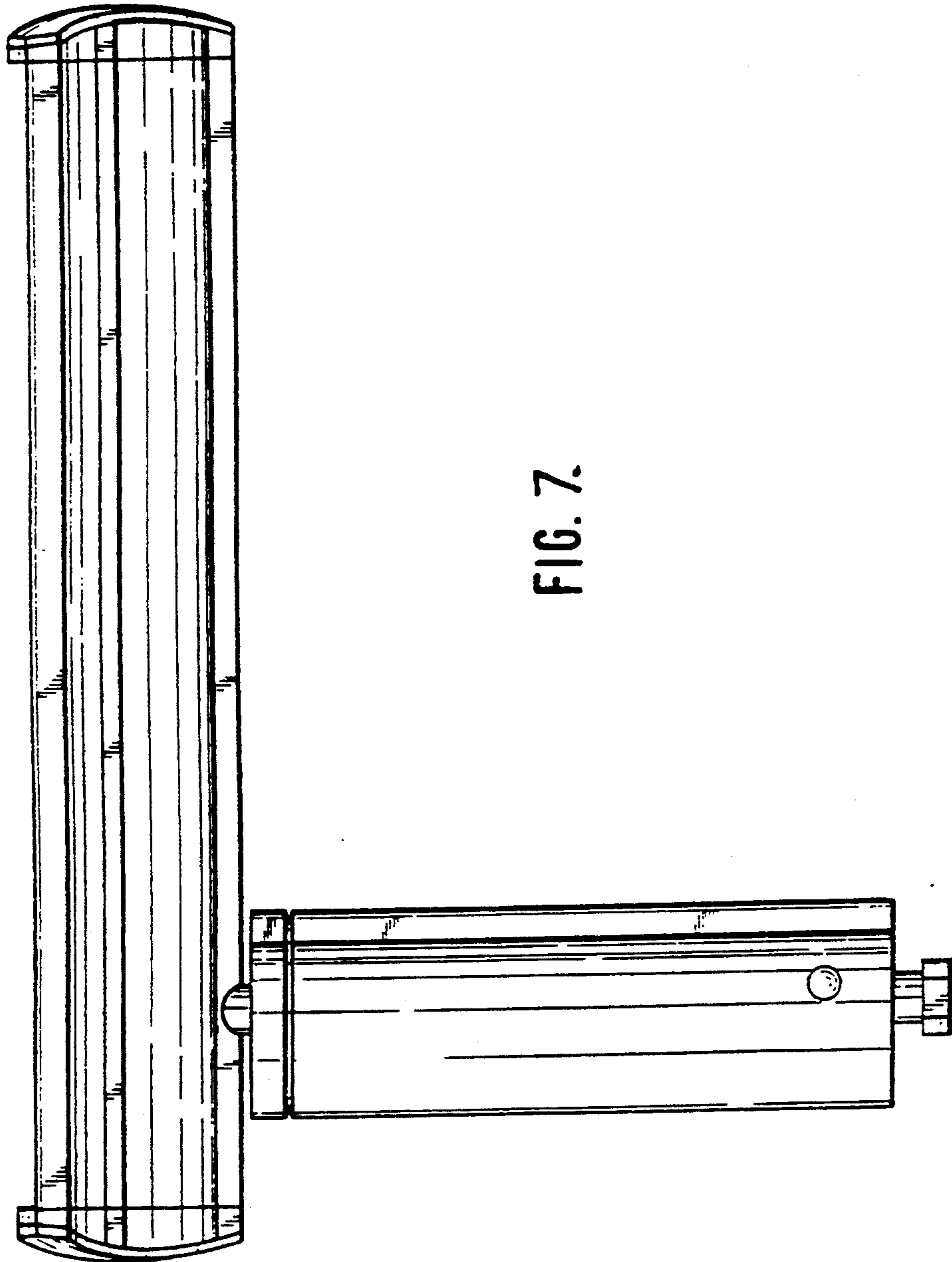


FIG. 7.

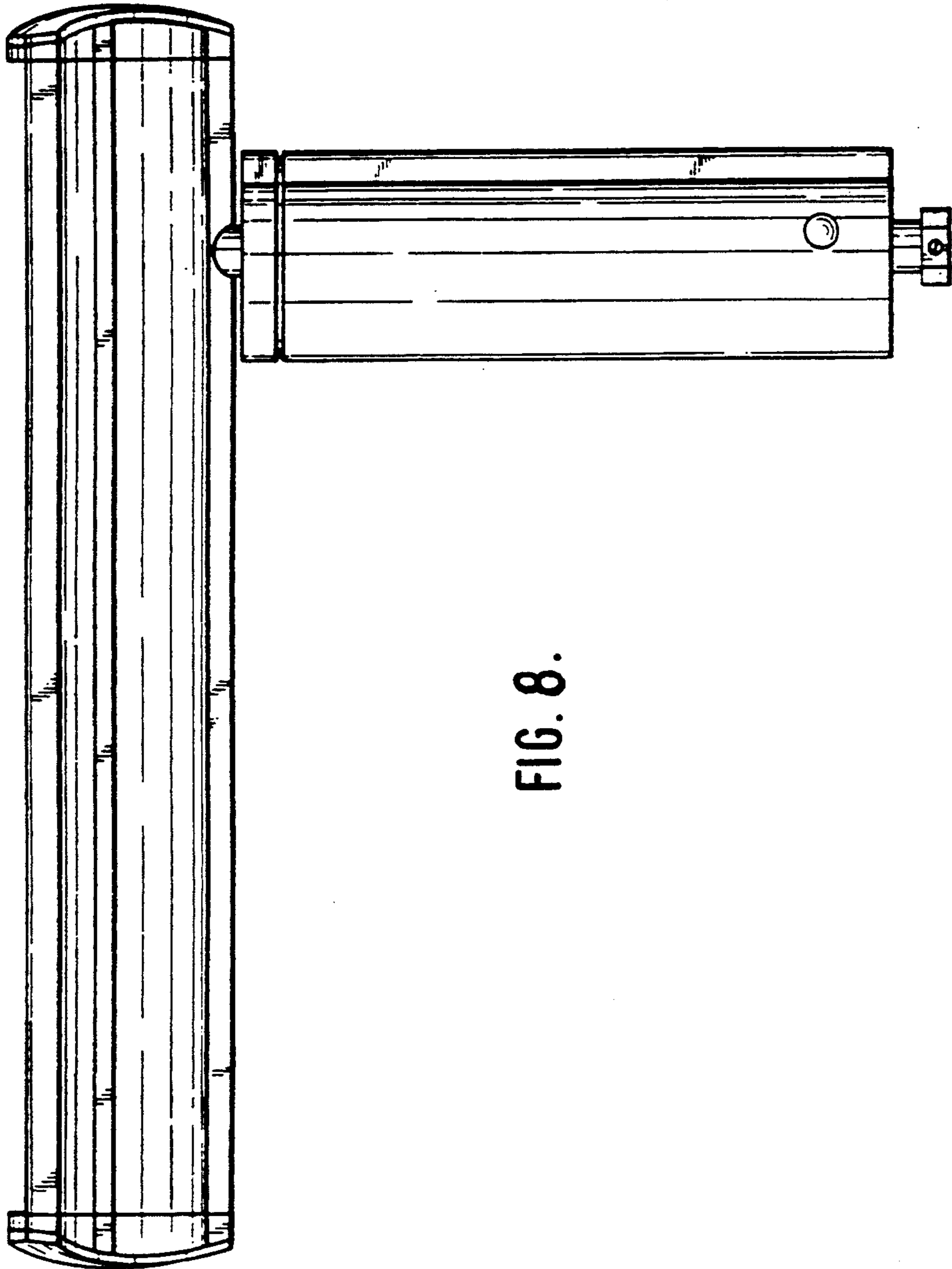


FIG. 8.

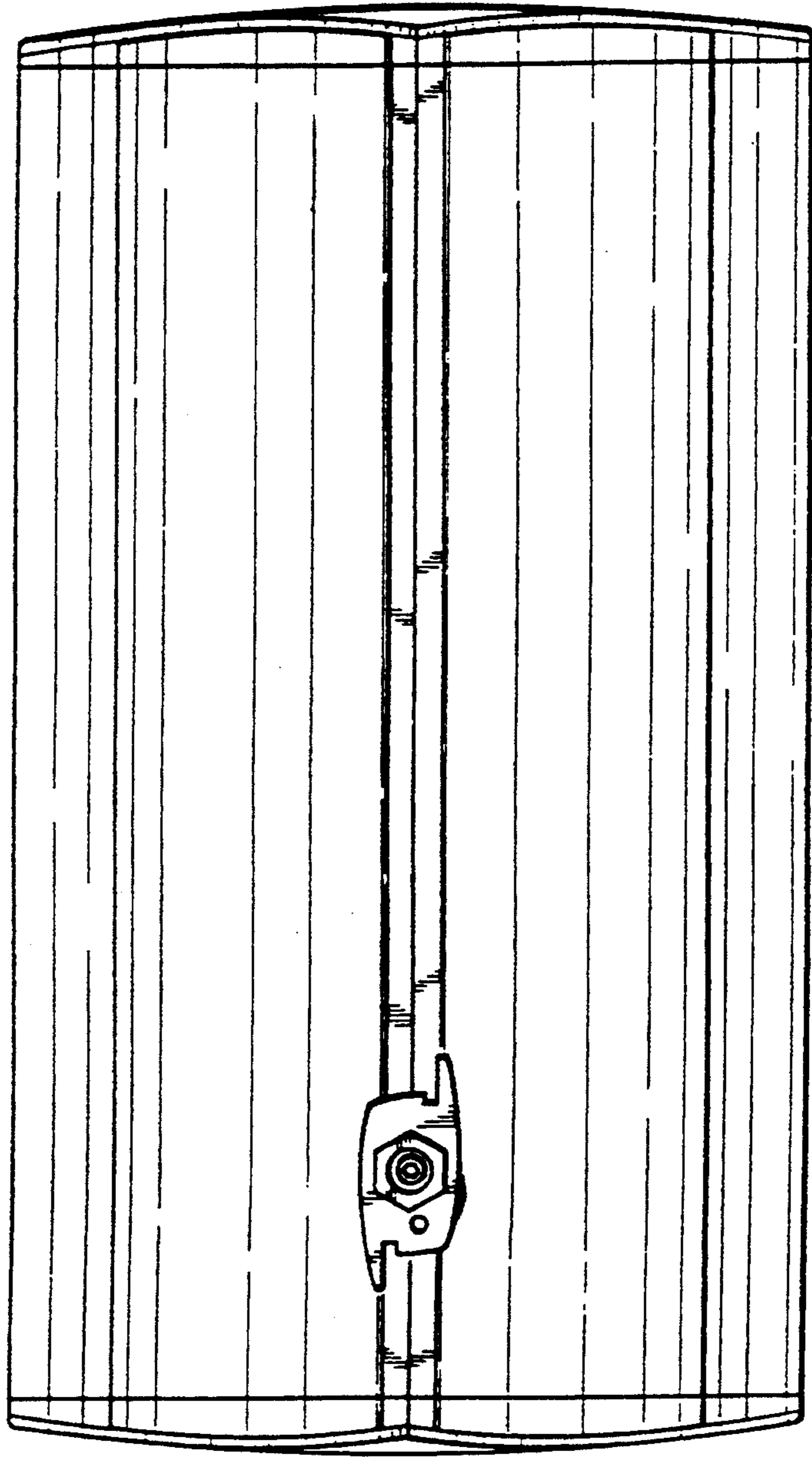


FIG. 9.

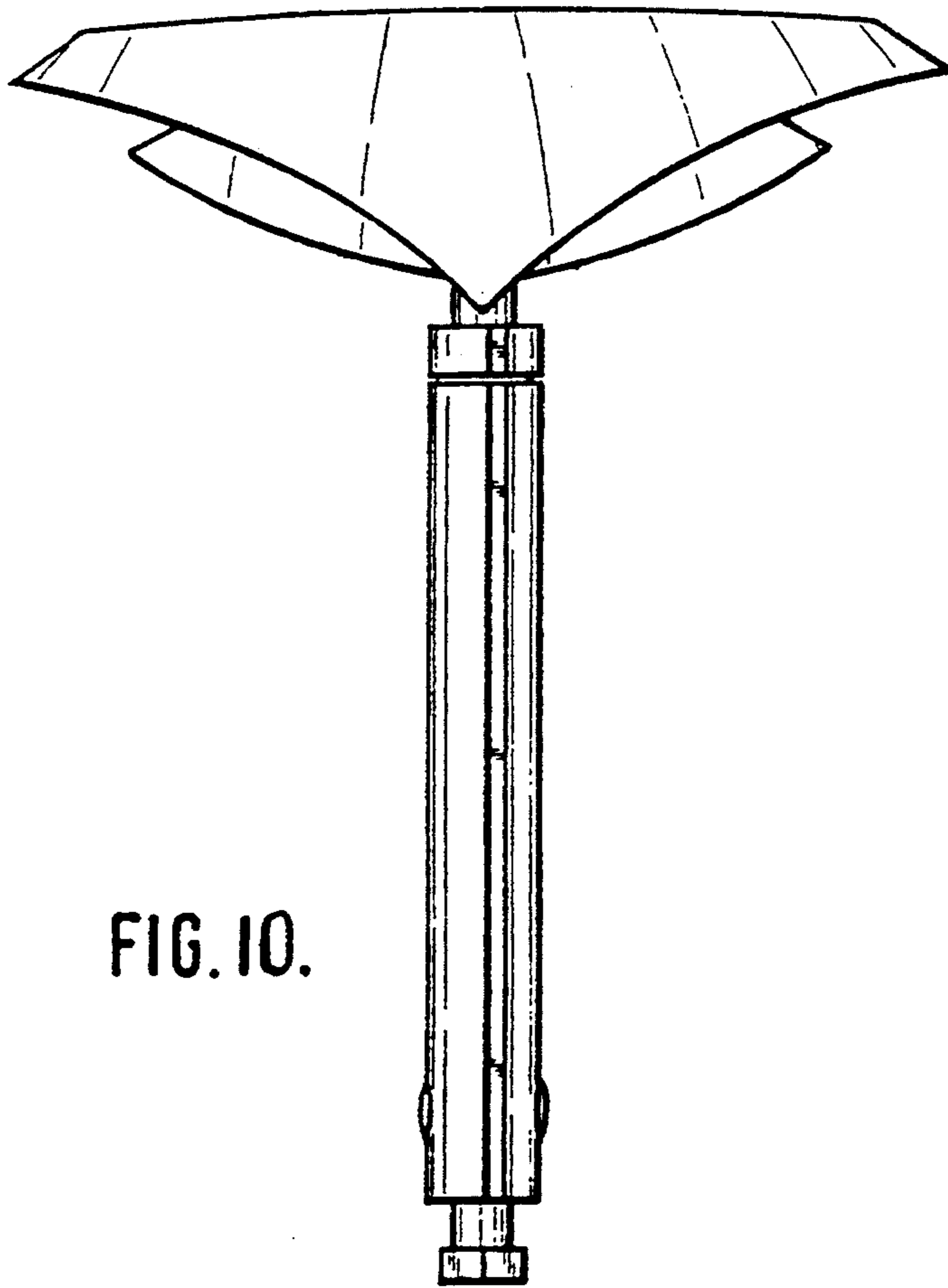


FIG. 10.