



US00D356875S

United States Patent [19]

[11] Patent Number: **Des. 356,875**

Zelina, Jr.

[45] Date of Patent: **** Mar. 28, 1995**

[54] COMBINED SPOTLIGHT AND RECHARGER BASE THEREFOR

[75] Inventor: **Thomas Zelina, Jr., Erie, Pa.**

[73] Assignee: **Lectro Science, Inc., Erie, Pa.**

[**] Term: **14 Years**

[21] Appl. No.: **8,482**

[22] Filed: **May 18, 1993**

[52] U.S. Cl. **D26/38; D26/45**

[58] Field of Search **D26/37-50; 362/157, 158, 183, 184, 188-203; D13/108; 320/2**

[56] References Cited

U.S. PATENT DOCUMENTS

D. 278,084	3/1985	Parker et al.	D26/45
D. 307,058	4/1990	Yuen	D26/38
3,517,185	6/1970	Moore et al.	362/183
3,521,050	7/1970	Shagena, Jr.	320/2
4,354,092	10/1982	Manabe et al.	320/2
4,605,993	8/1986	Zelina, Jr.	362/184 X

FOREIGN PATENT DOCUMENTS

2208135	3/1989	United Kingdom	362/183
---------	--------	----------------------	---------

OTHER PUBLICATIONS

Optronics, Inc. Brochure, Jan. 1989, high intensity lights.

Optronics, Inc. Brochure, 1987, Nightblaster® Million SPotlight.

HFD-Retail Home Furnishings, Jan. 1981, Sanyo lighting products

Coleman Co. Inc. Brochure, 1990, pp. 54 & 55, Spotlights.

Primary Examiner—Susan J. Lucas

Attorney, Agent, or Firm—Robert E. Browne; Thomas C. McDonough

[57] CLAIM

The ornamental design for a combined spotlight and recharger base therefor, as shown and described.

DESCRIPTION

FIG. 1 is a front perspective view of the combined spotlight and recharger base therefor according to my new design;

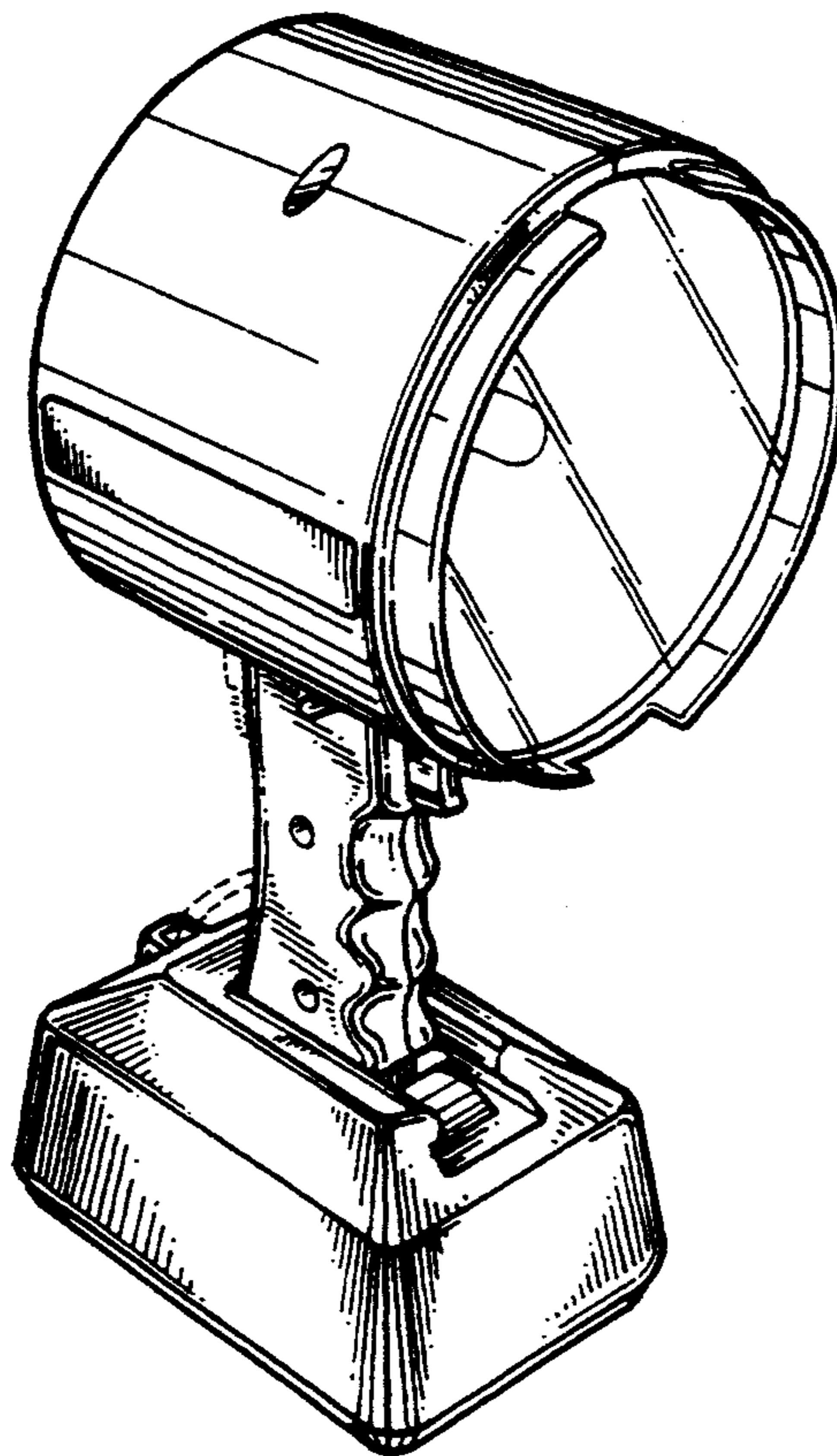
FIG. 2 is a rear perspective view of the spotlight and base shown in FIG. 1;

FIG. 3 is an enlarged plan view of the base shown in FIG. 1;

FIG. 4 is a front elevational view thereof; and,

FIG. 5 is a side elevational view thereof.

The broken lines are shown for illustrative purposes only and form no part of the claimed design.



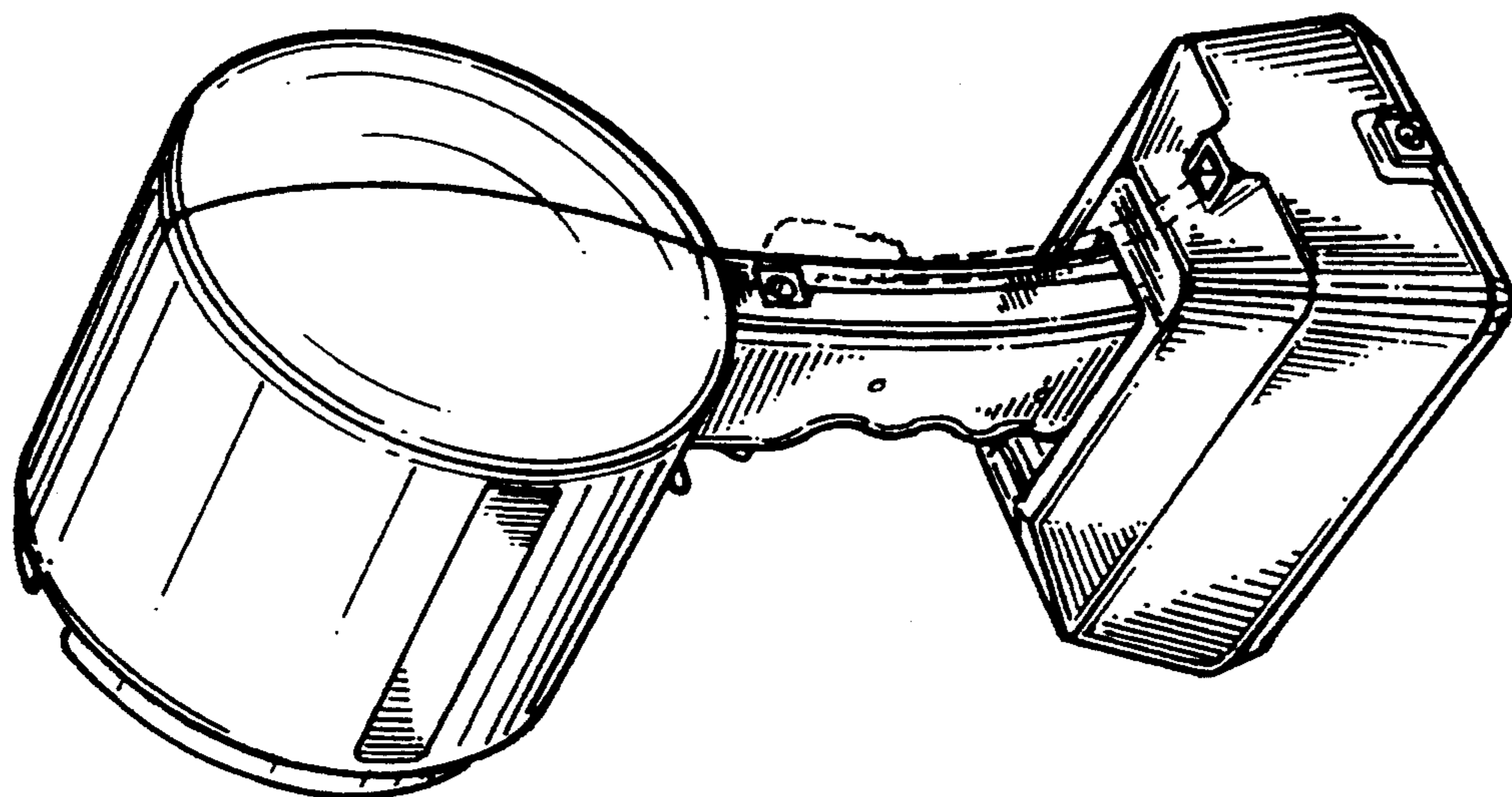


FIG. 2

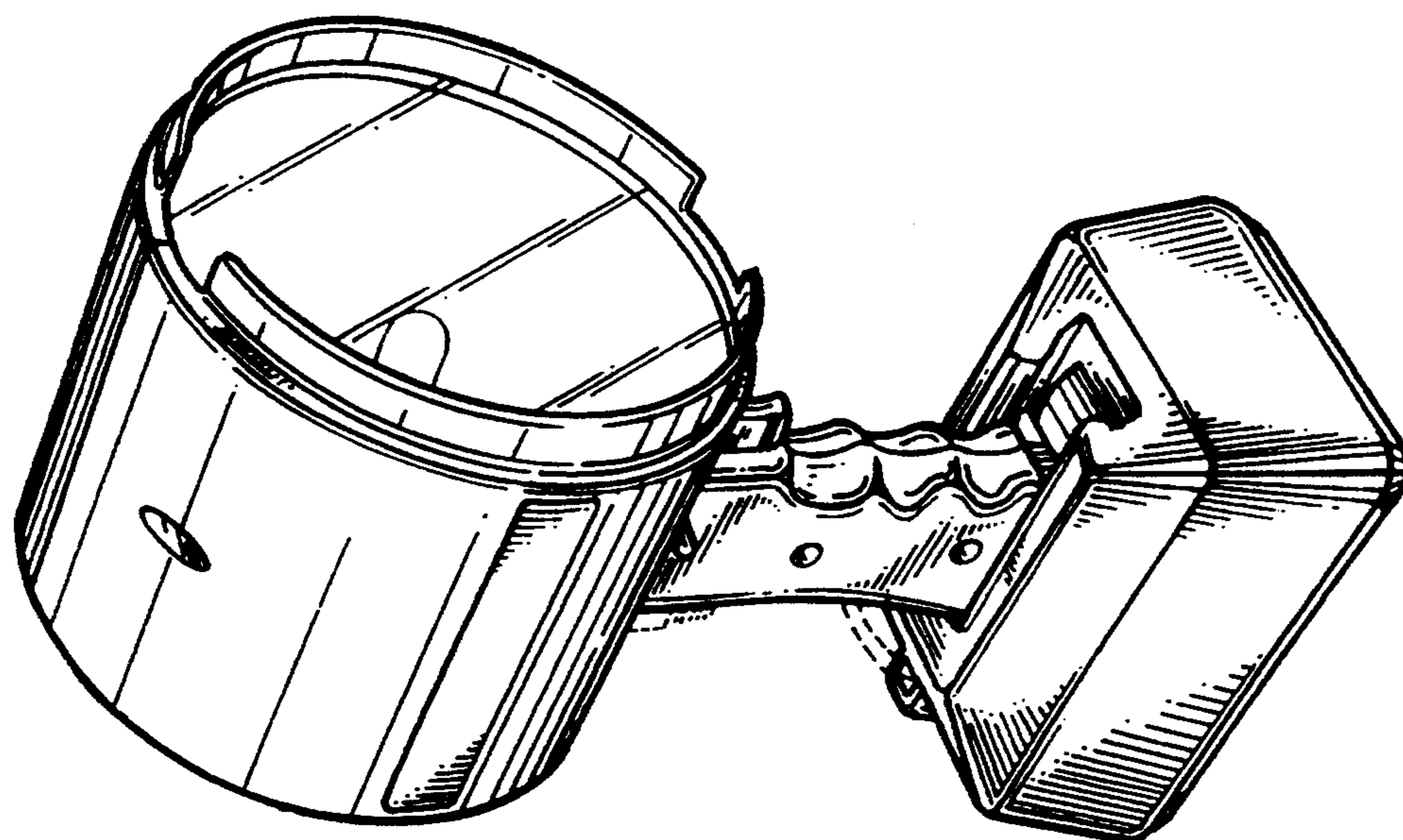


FIG. 1

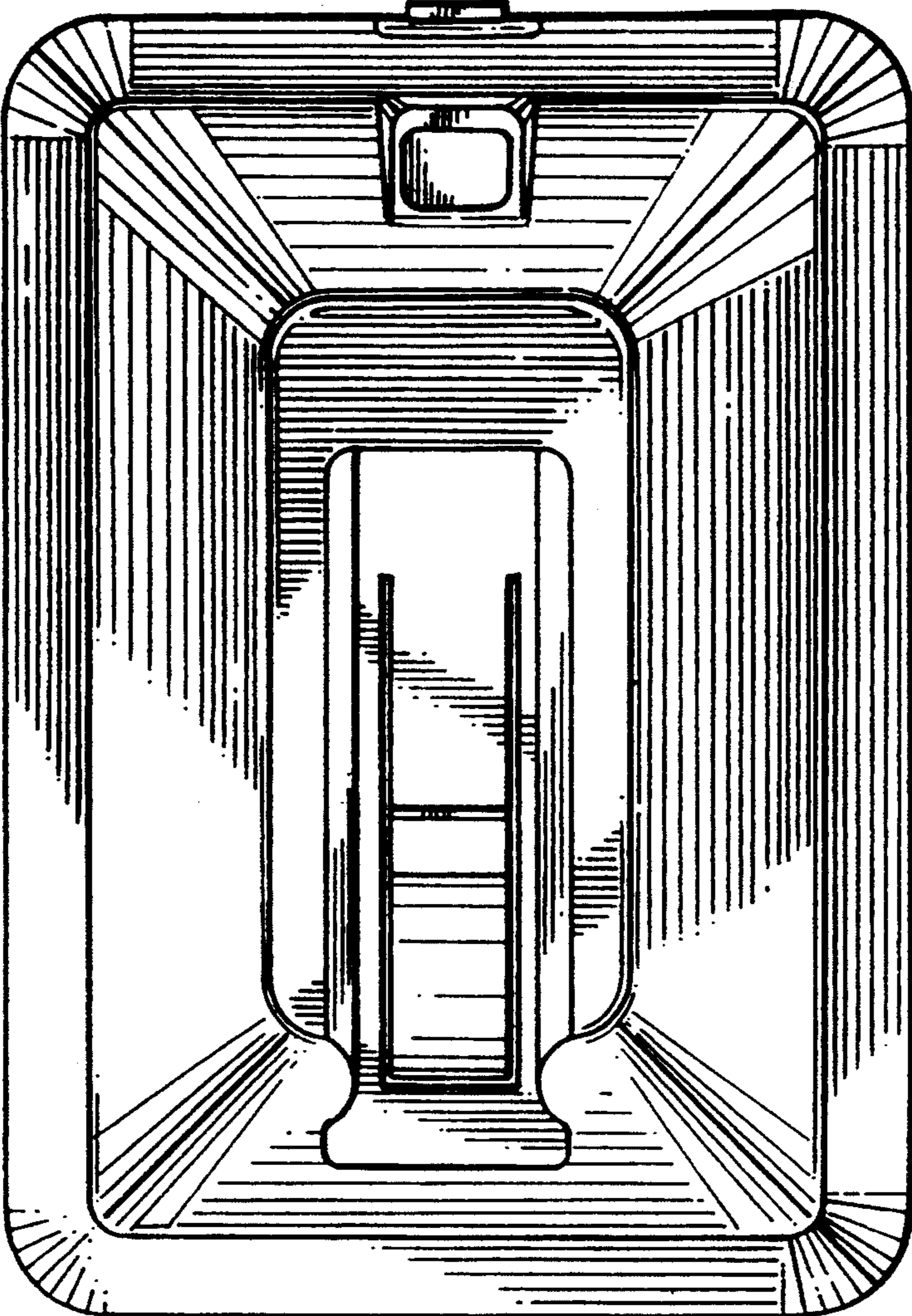


FIG. 3

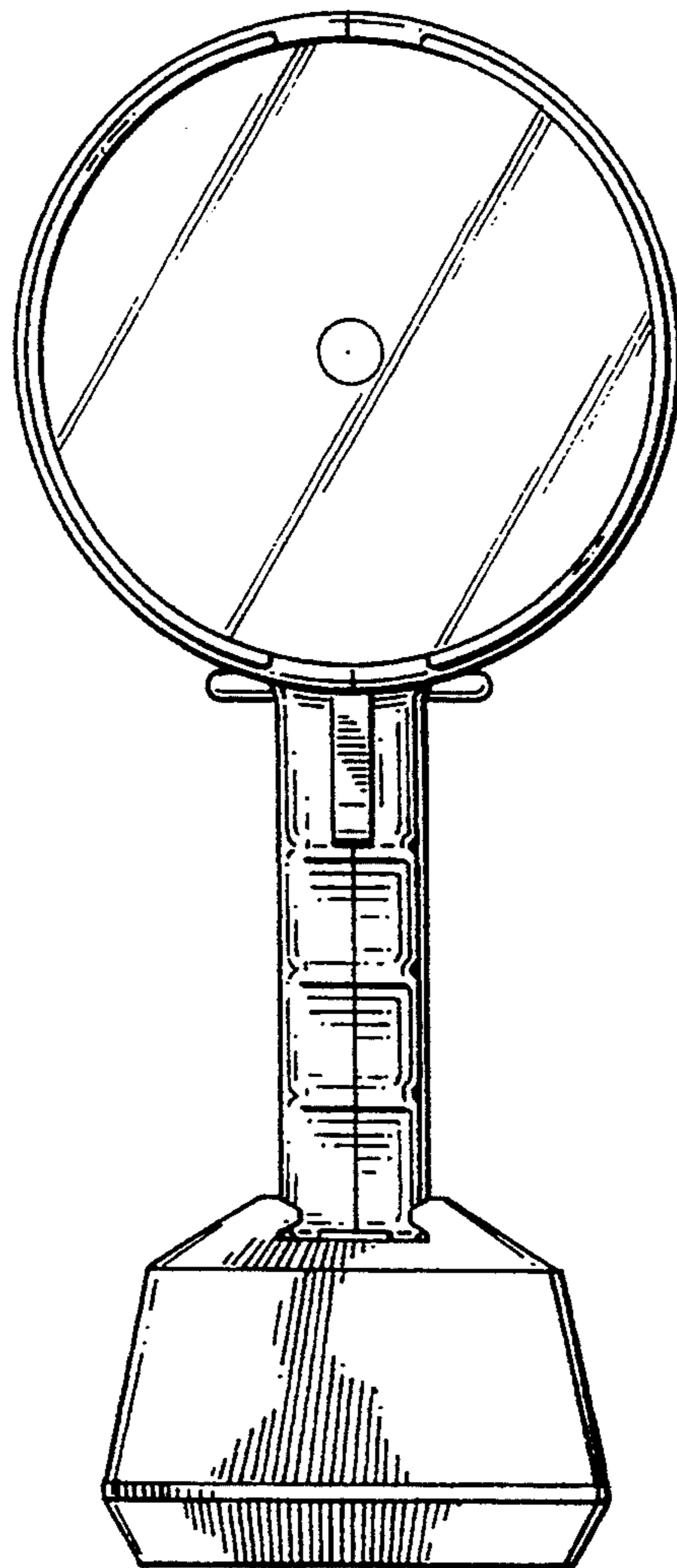


FIG. 4

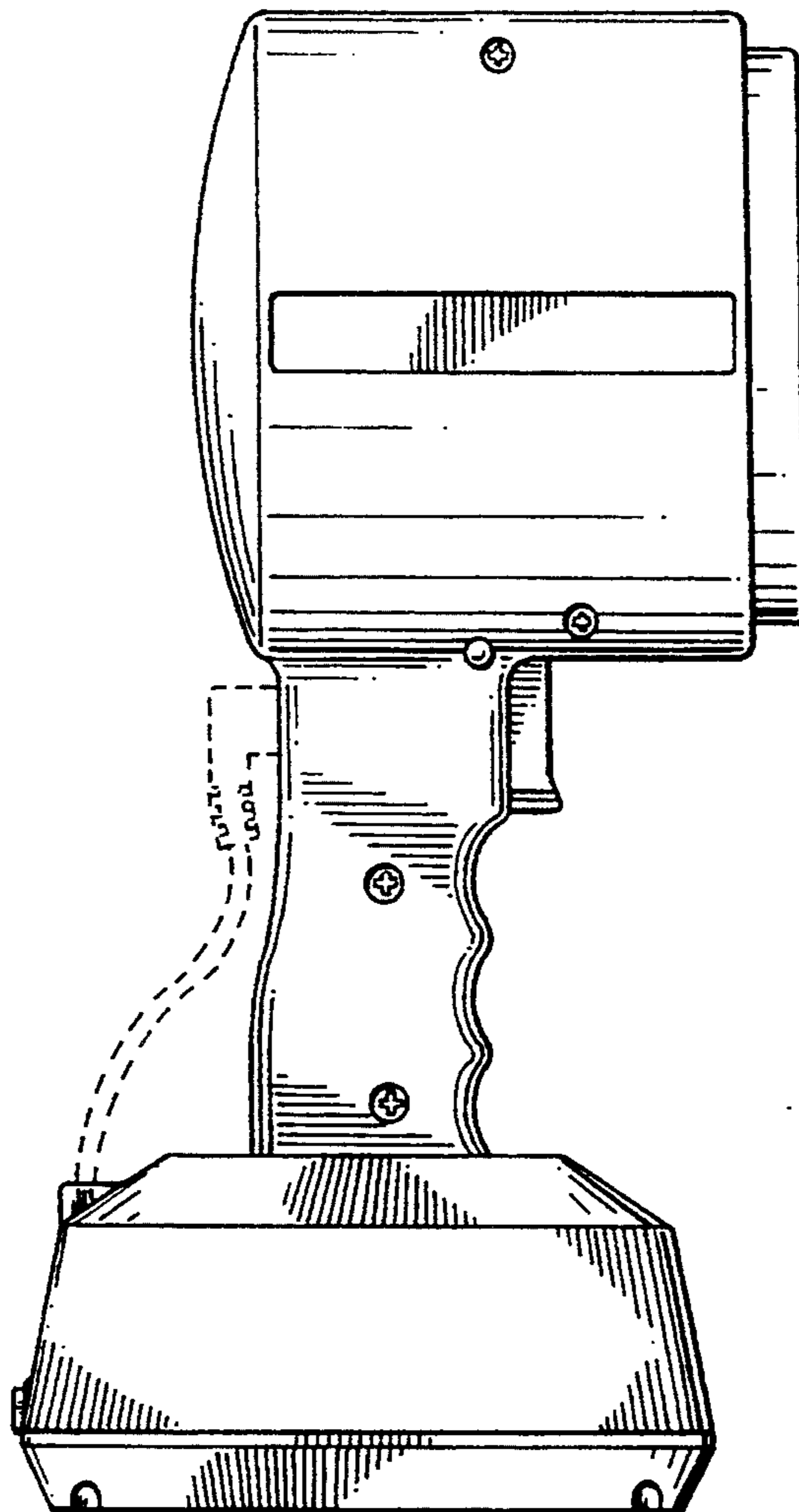


FIG. 5