



US00D356870S

United States Patent [19]

[11] Patent Number: **Des. 356,870**

Ivers et al.

[45] Date of Patent: **** Mar. 28, 1995**

[54] **PULSE OXIMETRY SENSOR**

[75] Inventors: **David L. Ivers**, Jupiter; **Stanley R. Mach**, Palm Beach Gardens, both of Fla.

[73] Assignee: **Marquette Electronics, Inc.**, Milwaukee, Wis.

[**] Term: **14 Years**

[21] Appl. No.: **8,884**

[22] Filed: **May 26, 1993**

[52] U.S. Cl. **D24/164**

[58] Field of Search **D24/165, 167, 169; 128/633, 632**

4,964,408 10/1990 Hink et al. 128/633
 5,035,243 7/1991 Muz 128/633
 5,080,098 1/1992 Willett et al. 128/633
 5,249,576 10/1993 Goldberger et al. 128/632

Primary Examiner—Stella Reid
Attorney, Agent, or Firm—Michael, Best & Friedrich

[57] CLAIM

The ornamental design for a pulse oximetry sensor, as shown and described.

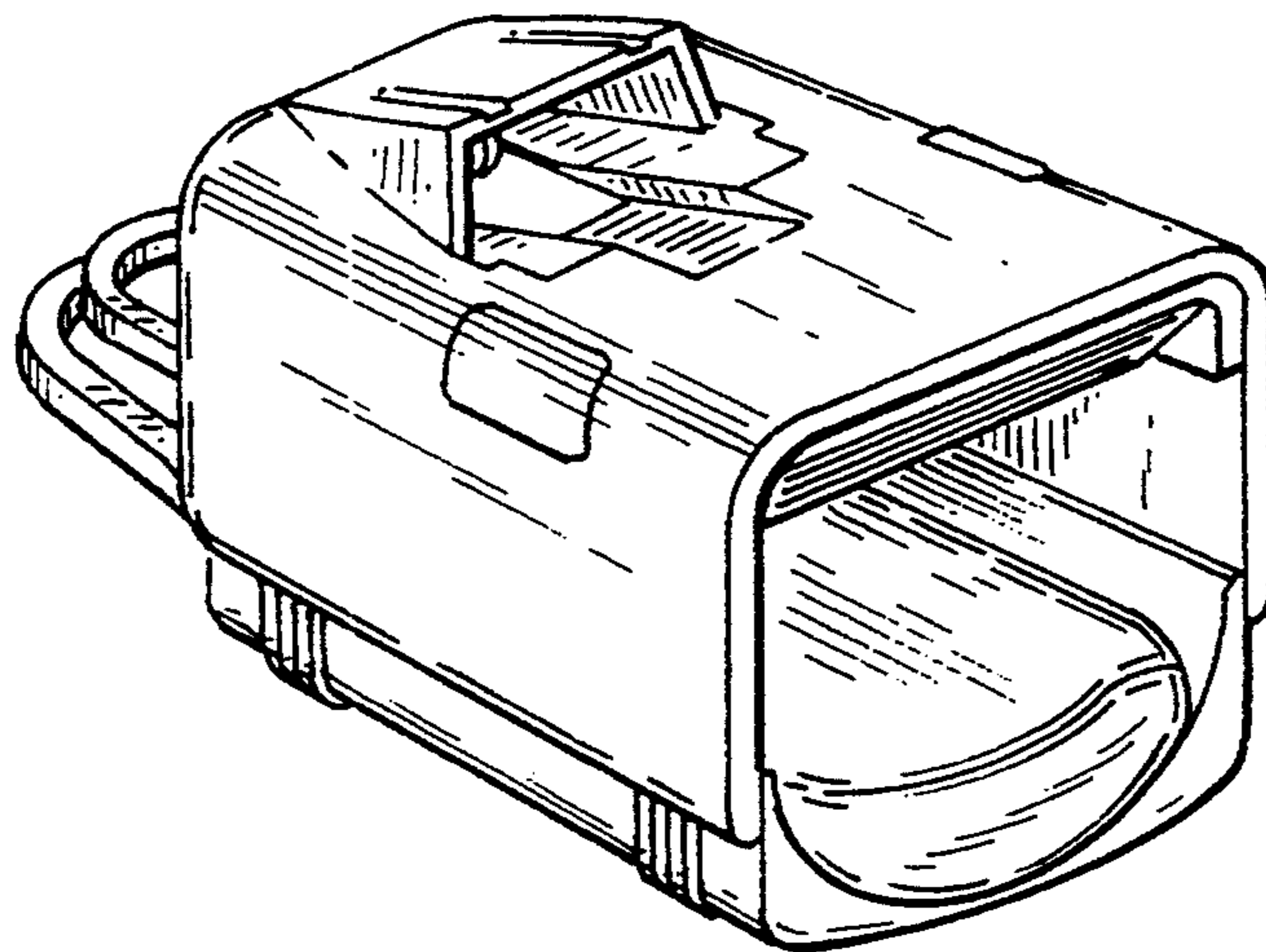
DESCRIPTION

FIG. 1 is a perspective view of a pulse oximetry sensor illustrating our invention;
 FIG. 2 is a right side view thereof, the left side being a mirror image of the right side;
 FIG. 3 is a front view thereof;
 FIG. 4 is a rear view thereof;
 FIG. 5 is a top view thereof;
 FIG. 6 is a bottom view thereof;
 FIG. 7 is a perspective view of an alternate embodiment of the invention which is identical in all respects to the embodiment of FIGS. 1-6 except for the front end; and,
 FIG. 8 is a bottom view of the embodiment of FIG. 7.

[56] References Cited

U.S. PATENT DOCUMENTS

D. 326,715	6/1992	Schmidt	D24/164
4,685,464	8/1987	Goldberger et al.	128/633
4,825,879	5/1989	Tan et al.	128/633
4,867,165	9/1989	Noller et al.	128/633
4,883,055	11/1989	Merrick	128/633
4,913,150	4/1990	Cheung et al.	128/633



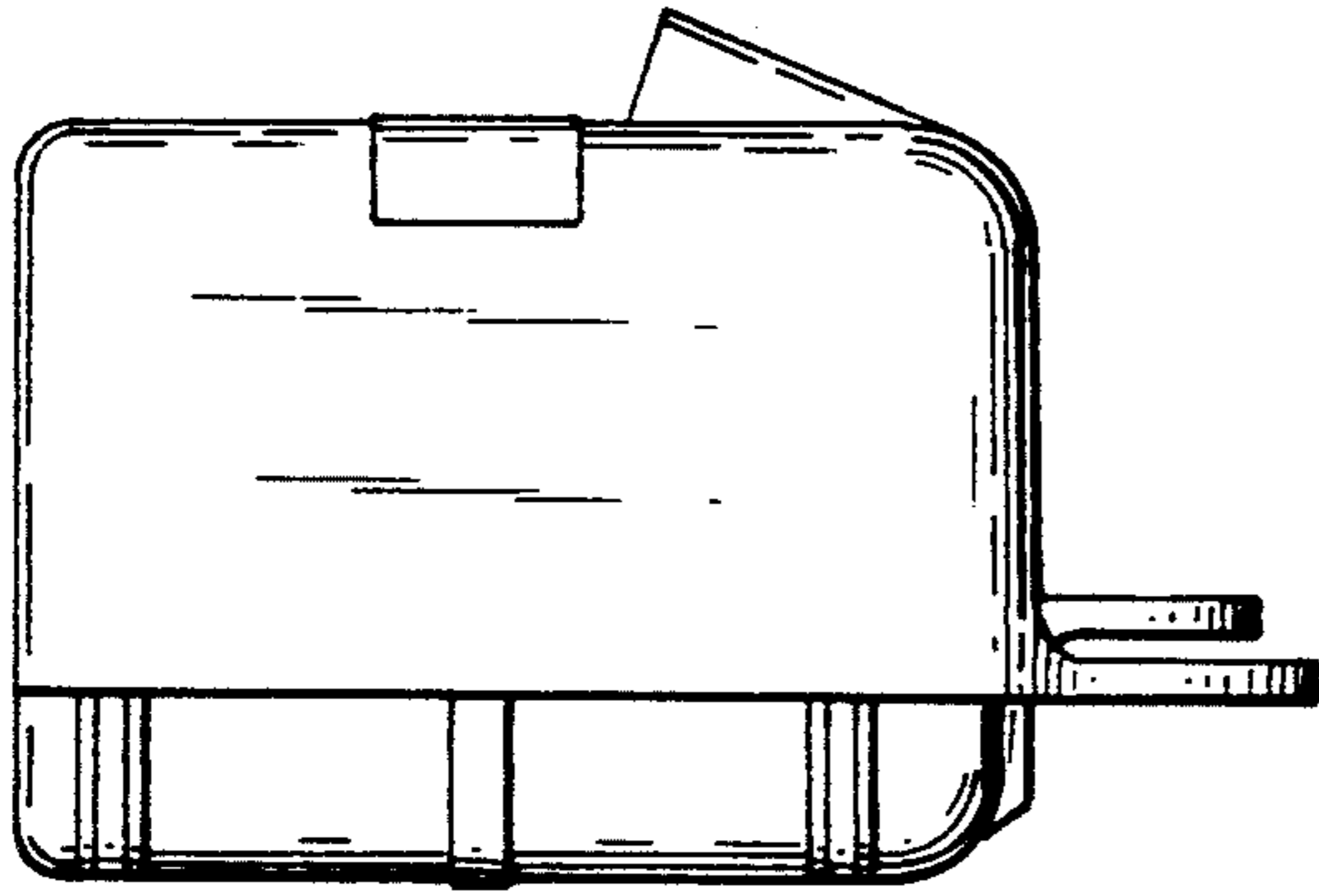
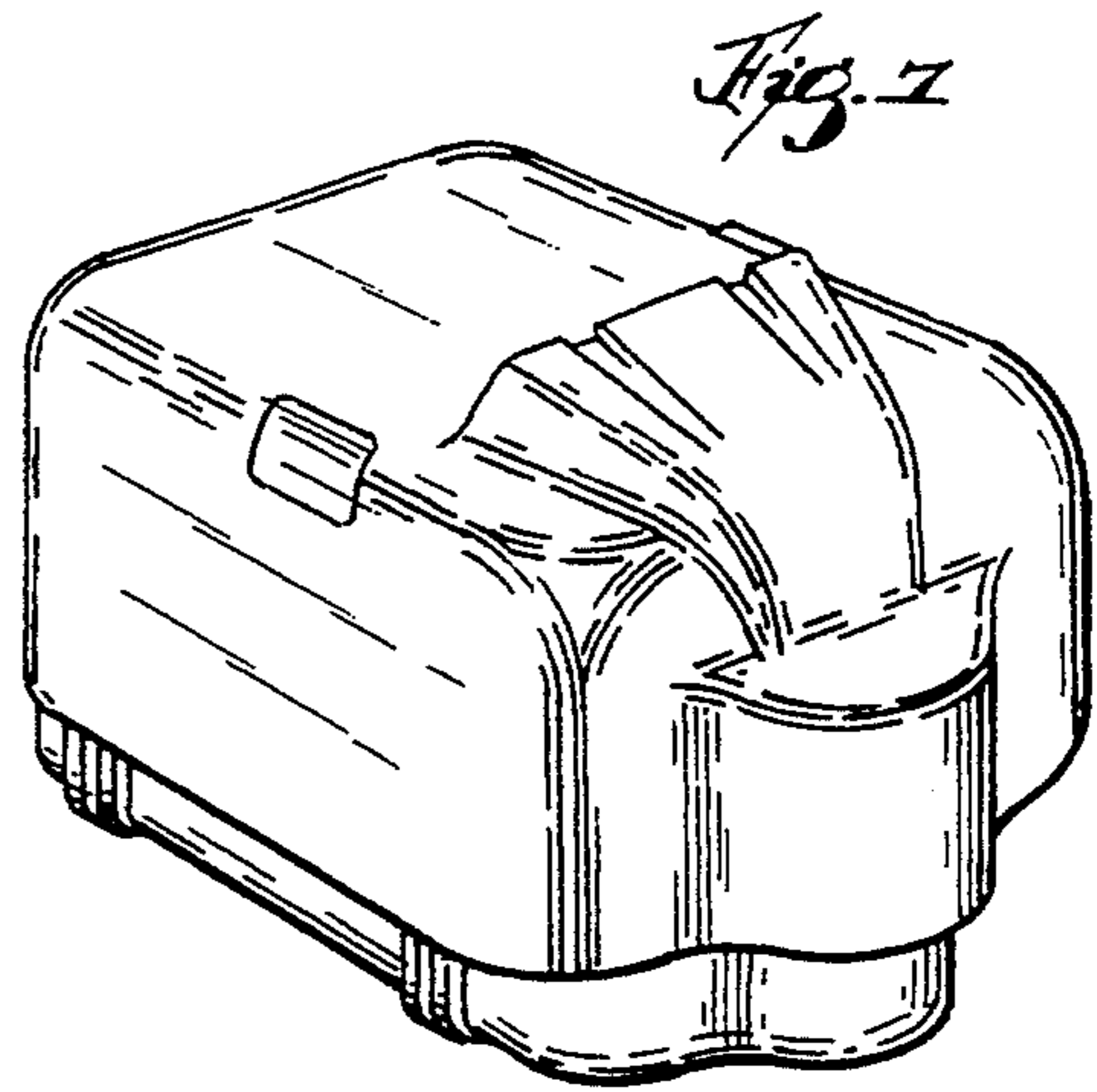
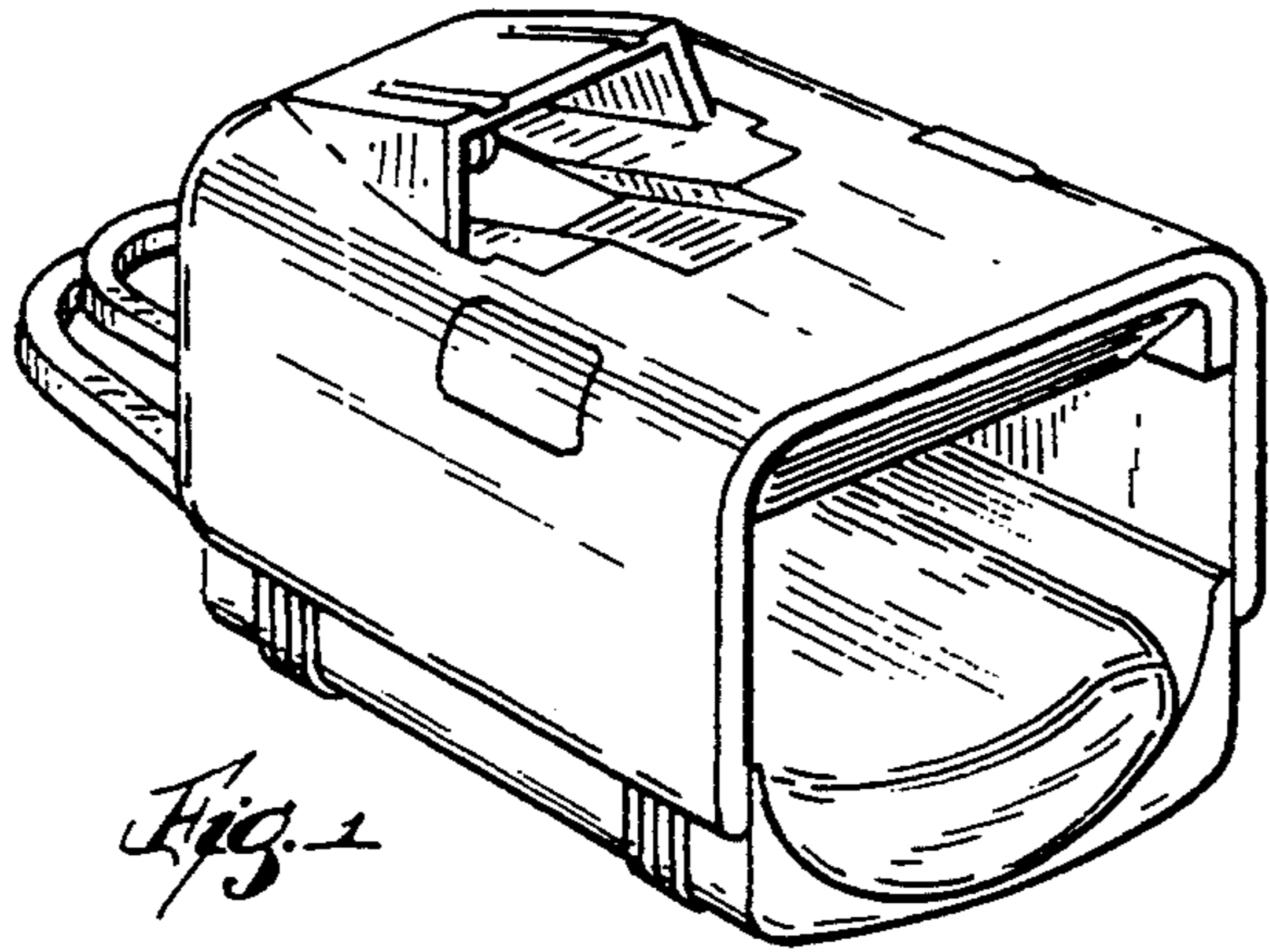


Fig. 3

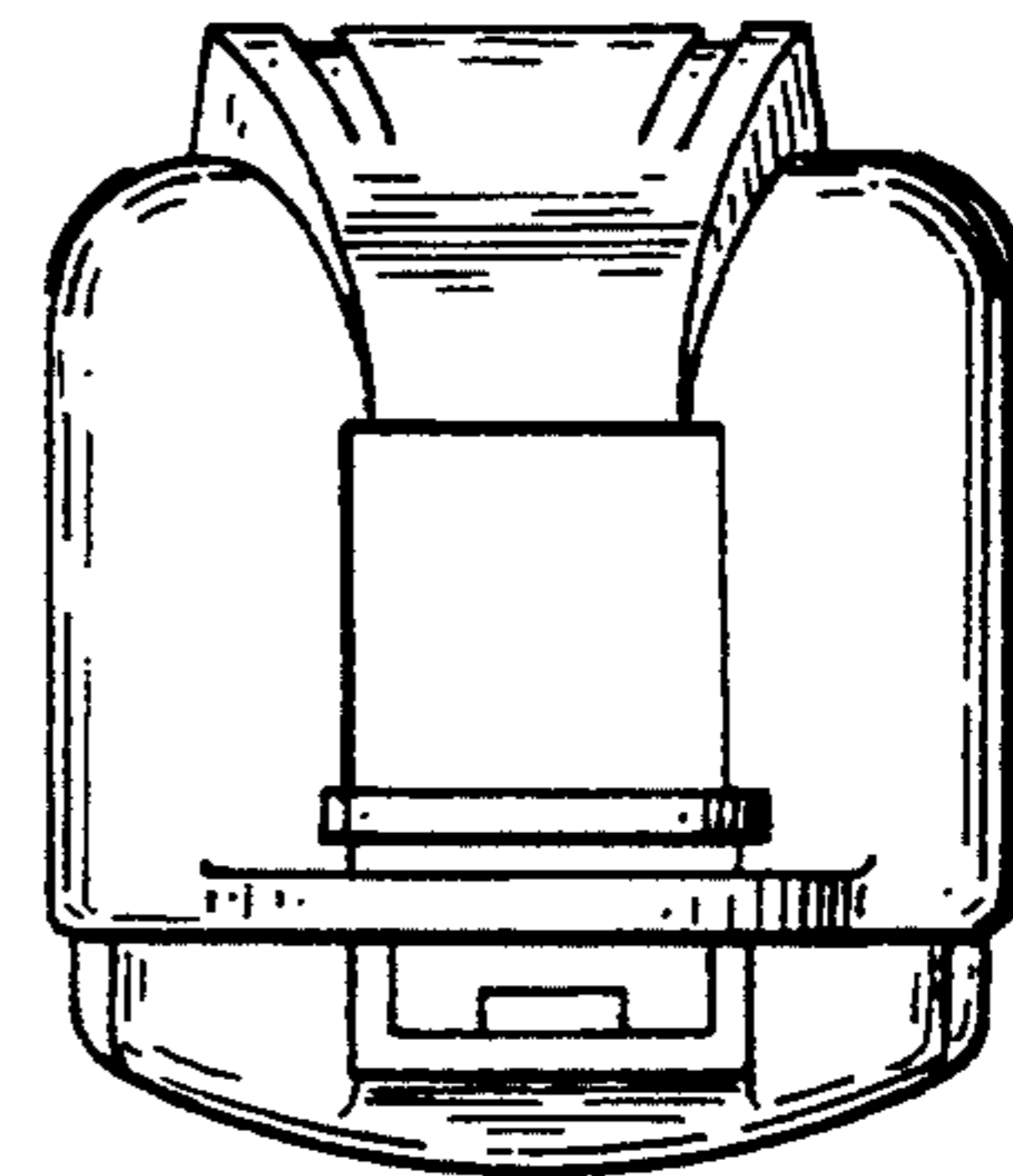
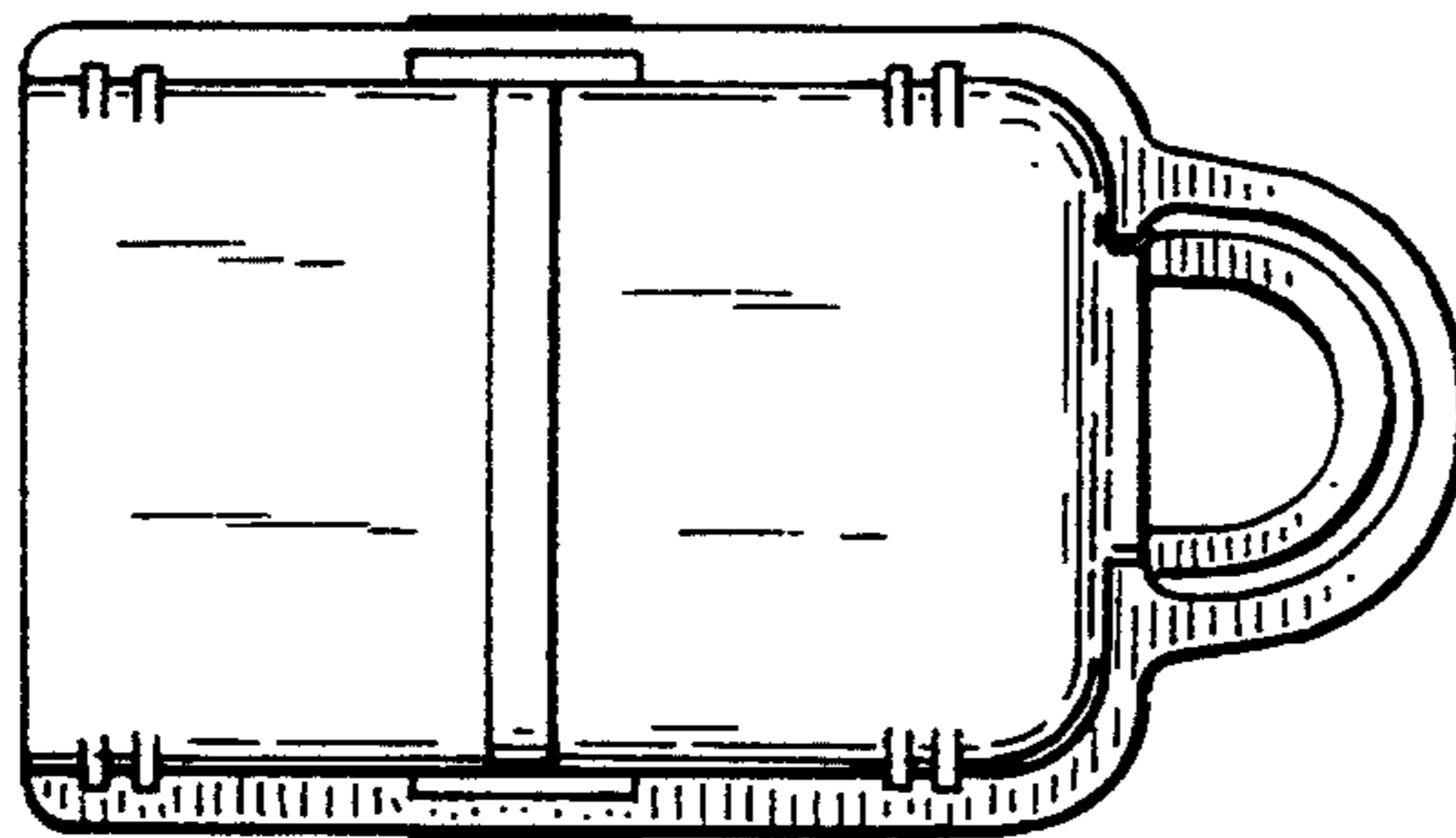
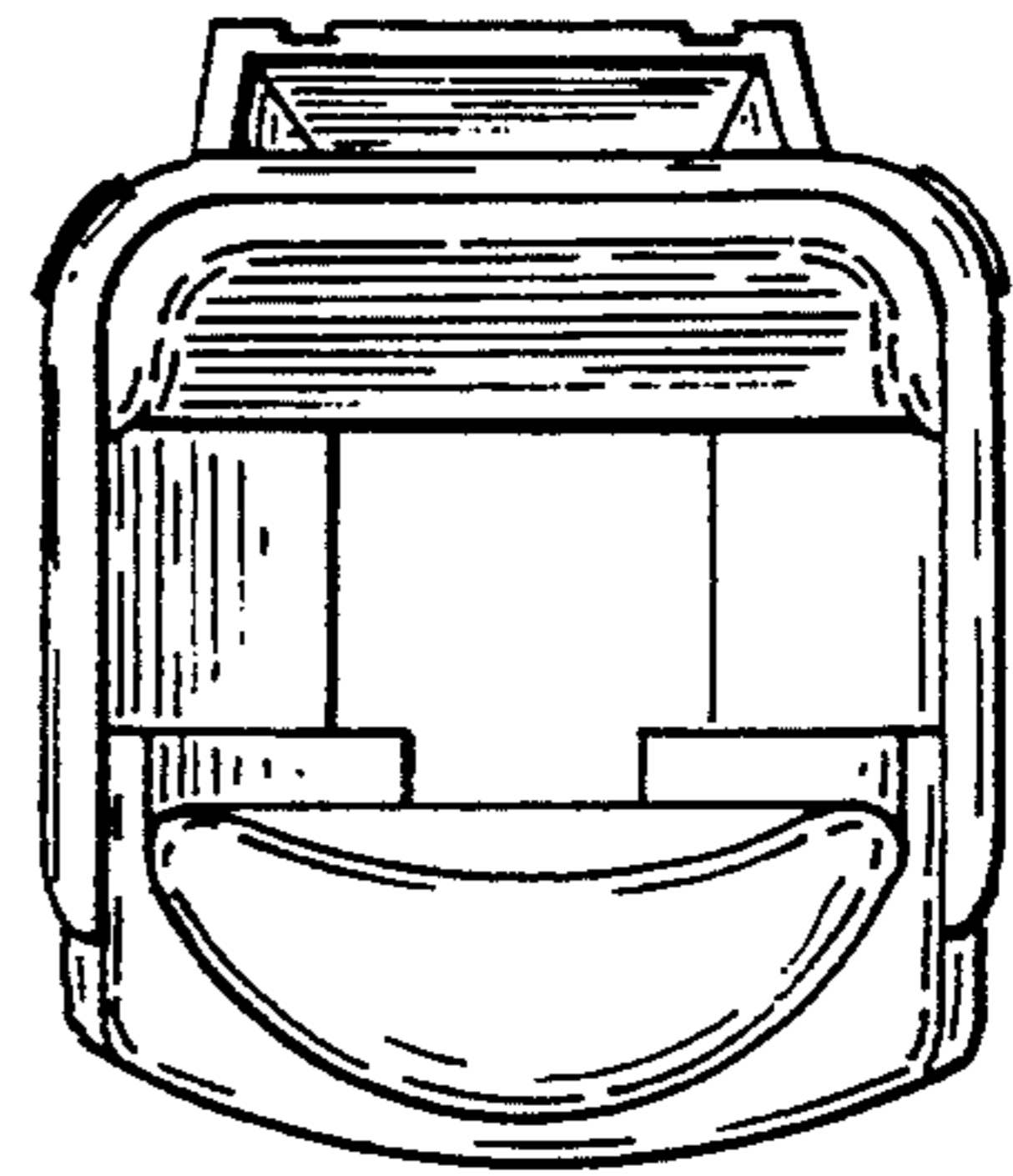
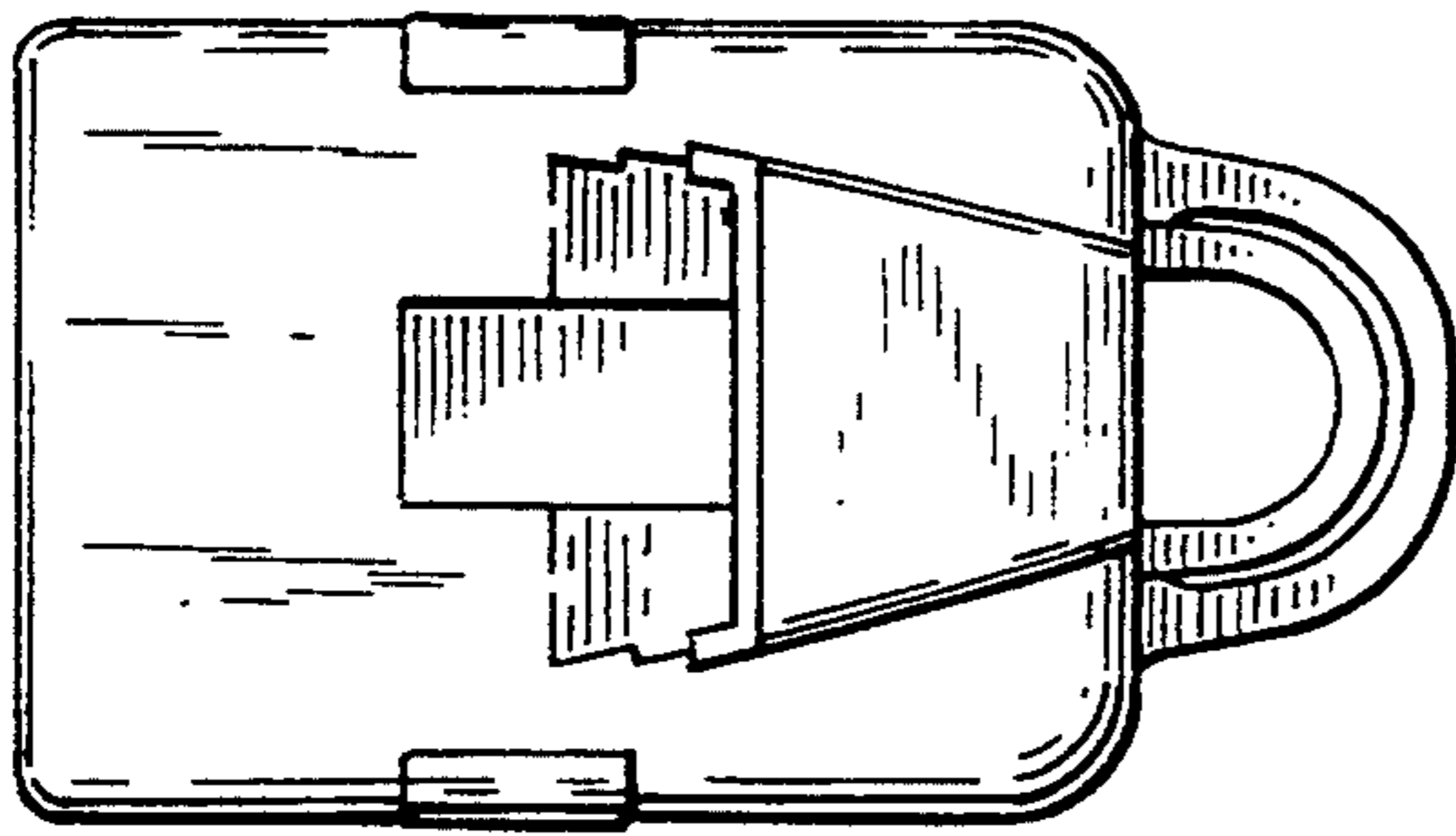


Fig. 6

Fig. 4

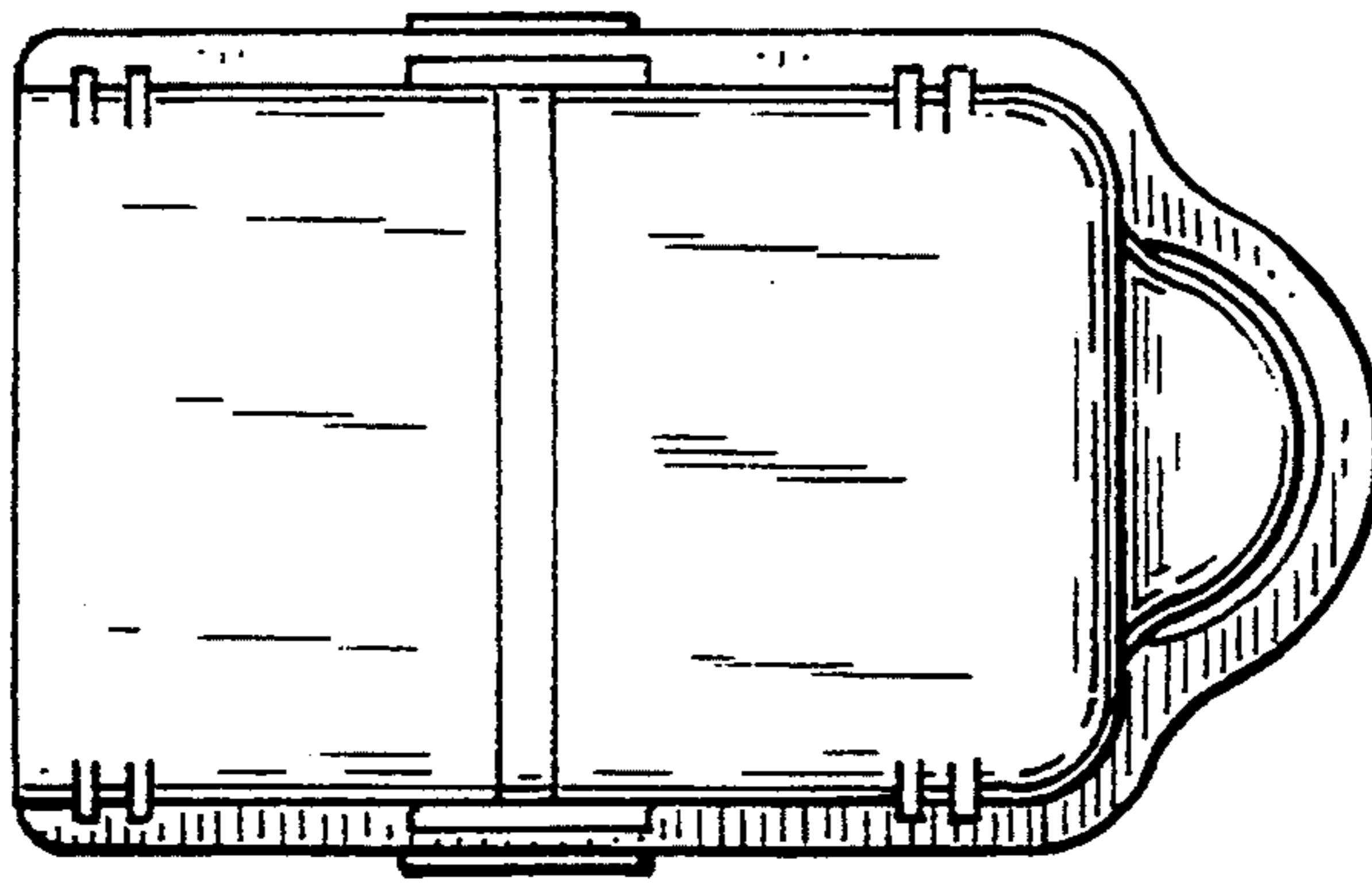


Fig. 8