



US00D356867S

United States Patent [19]

[11] Patent Number: **Des. 356,867**

Krupin

[45] Date of Patent: **** Mar. 28, 1995**

[54] **DEVICE FOR CONTROLLING
INTRAOCULAR FLUID PRESSURE**

[56] **References Cited**

[75] Inventor: **Theodore Krupin, Winnetka, Ill.**

U.S. PATENT DOCUMENTS

4,750,901	6/1988	Molteno	604/8
4,841,984	6/1989	Armeniades et al.	128/748
4,922,913	5/1990	Waters, Jr. et al.	128/645
5,047,009	9/1991	Morris et al.	604/118 X

[73] Assignee: **Hood Laboratories, Pembroke, Mass.**

Primary Examiner—Stella Reid
Attorney, Agent, or Firm—Kane, Dalsimer, Sullivan,
Kurucz, Levy, Eisele and Richard

[**] Term: **14 Years**

[57] **CLAIM**

[21] Appl. No.: **5,750**

The ornamental design for an implant for controlling intraocular pressure, as shown and described.

[22] Filed: **Mar. 10, 1993**

DESCRIPTION

Related U.S. Application Data

[63] Continuation of Ser. No. 669,193, Apr. 9, 1991, abandoned.

[52] U.S. Cl. **D24/155**

[58] Field of Search D24/155, 157, 150;
604/8, 9, 23, 93, 247, 257, 289, 290, 294, 327,
328, 118, 119; 606/107; 128/645, 646, 748, 675;
623/4, 5

FIG. 1 is a top plan view of an implant for controlling intraocular pressure, showing my new design;
FIG. 2 is a cross-sectional view along line 2—2 of FIG. 1;
FIG. 3 is a cross-sectional view along line 3—3 of FIG. 1;
FIG. 4 is a bottom plan view thereof; and,
FIG. 5 is a perspective view thereof, the broken line showing of the sclera and eyeball is for illustrative purposes only and forms no part of the claimed design.

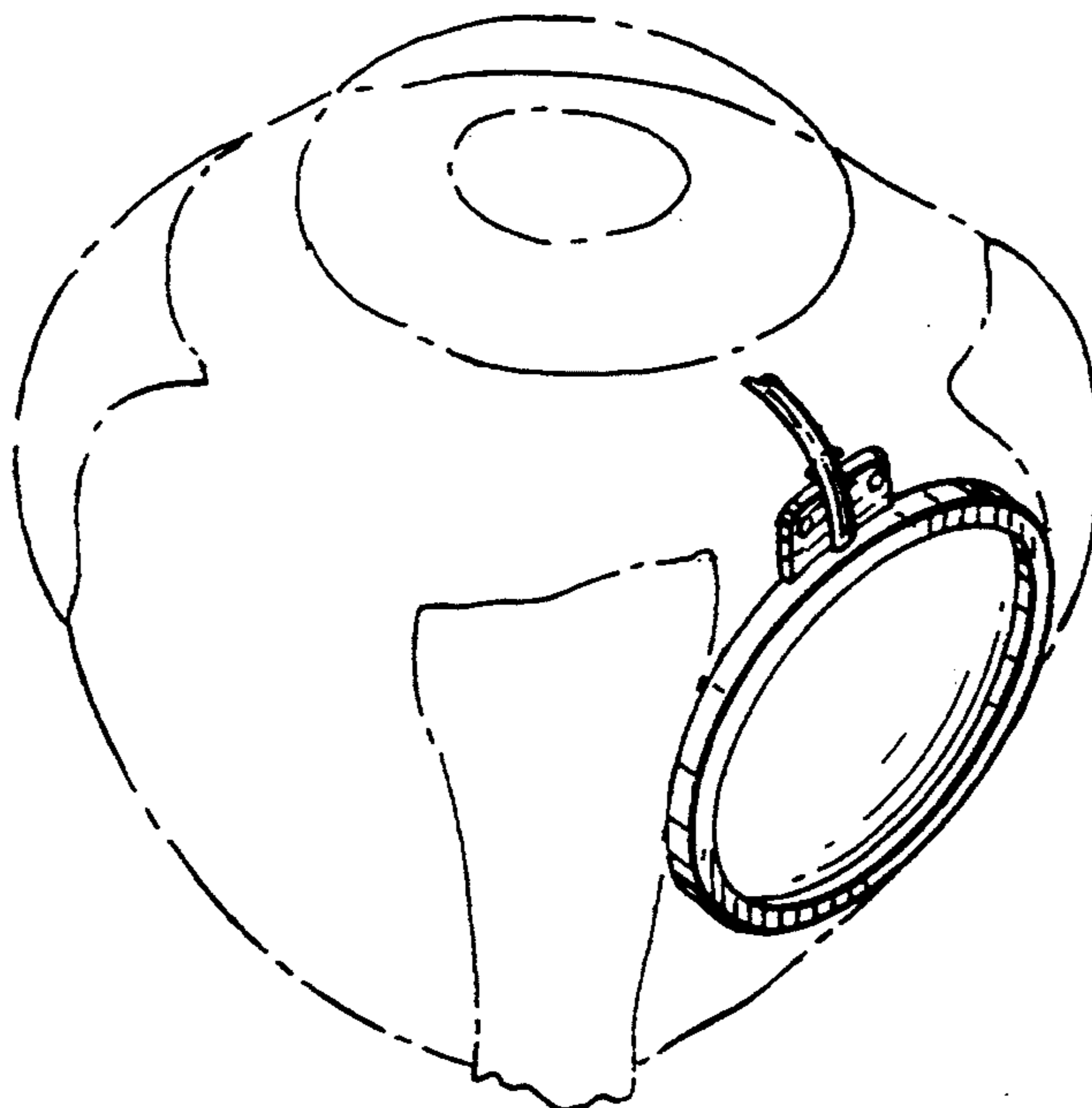




FIG. 3

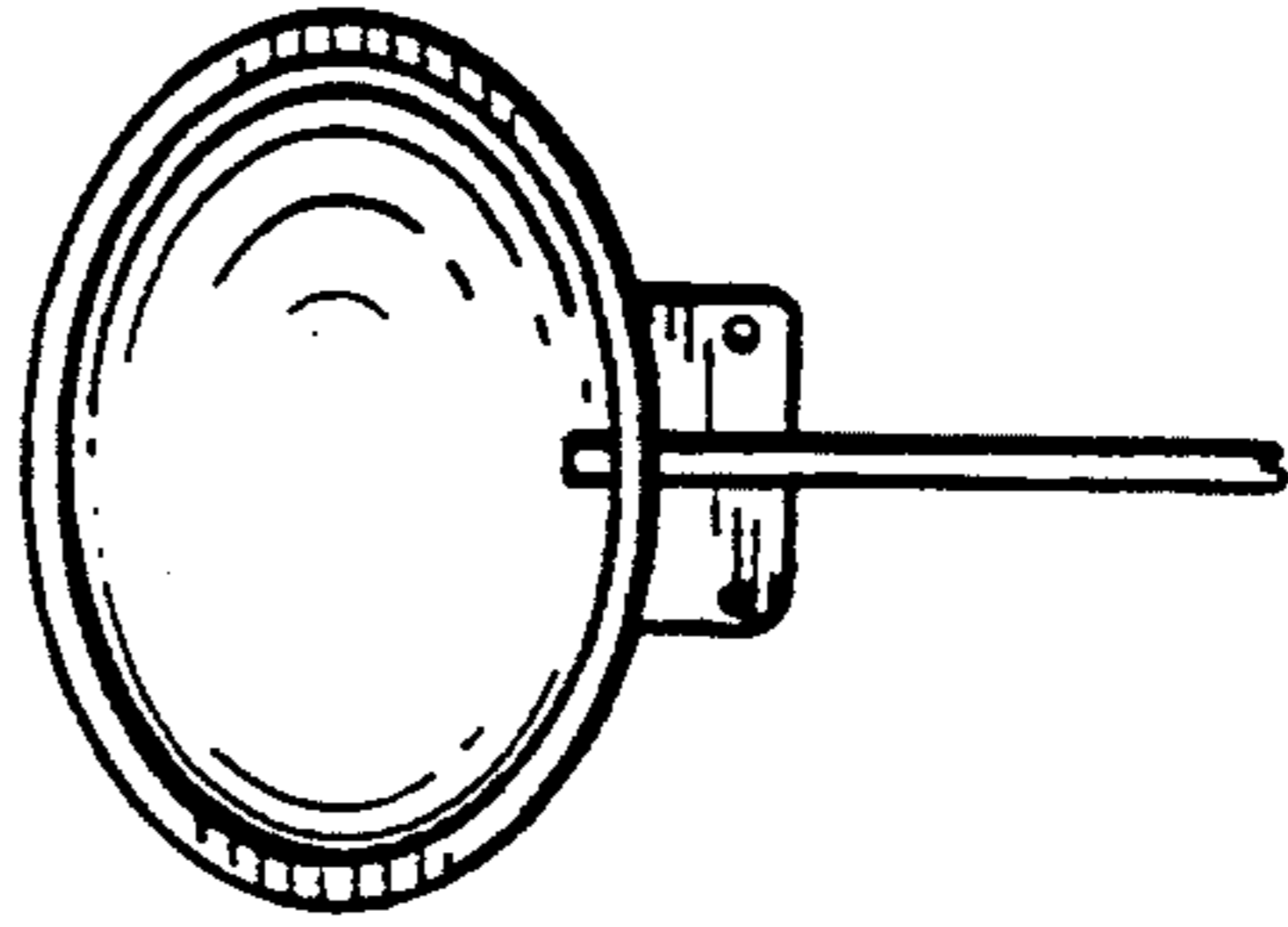


FIG. 4

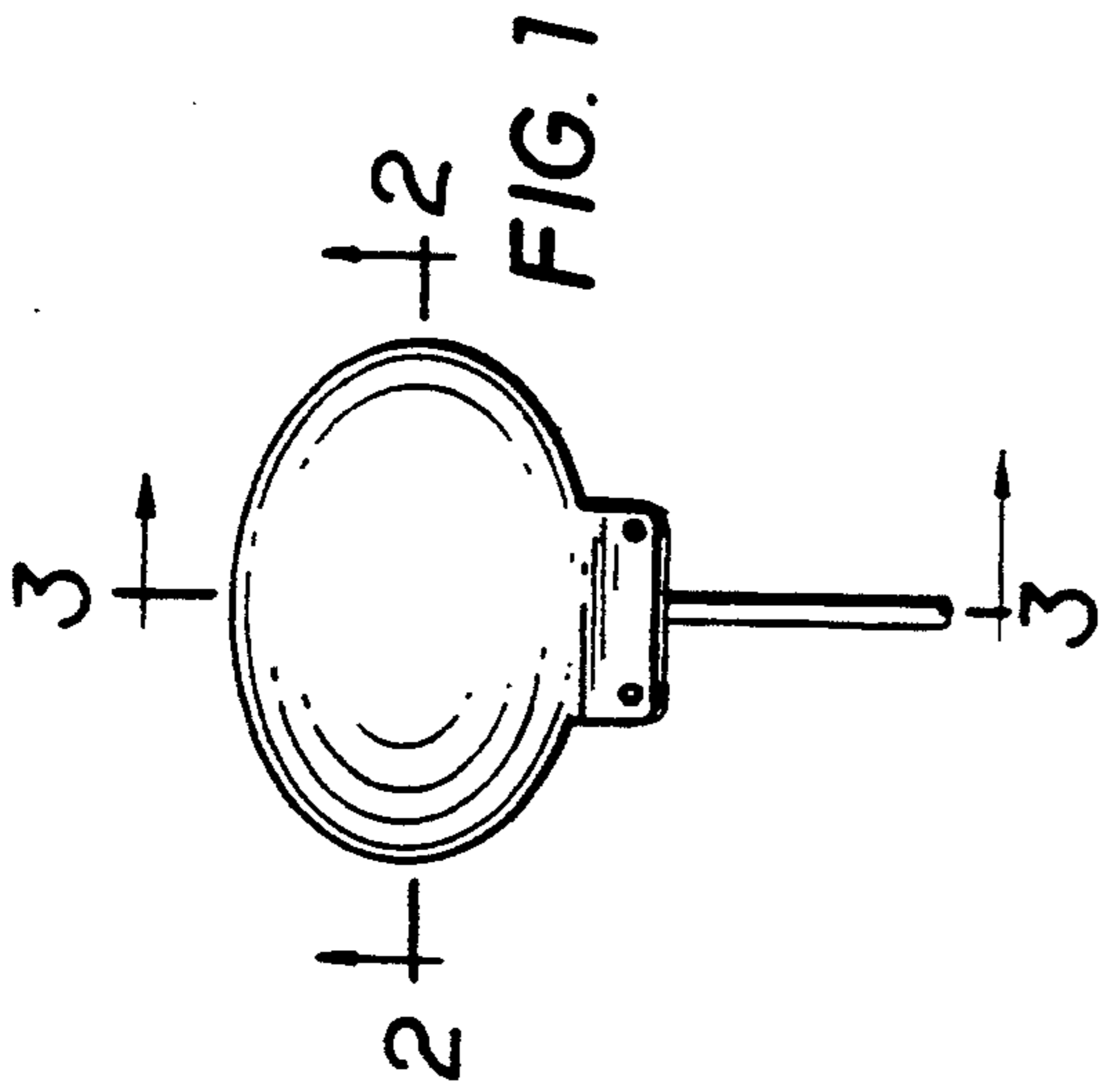


FIG. 7



FIG. 2

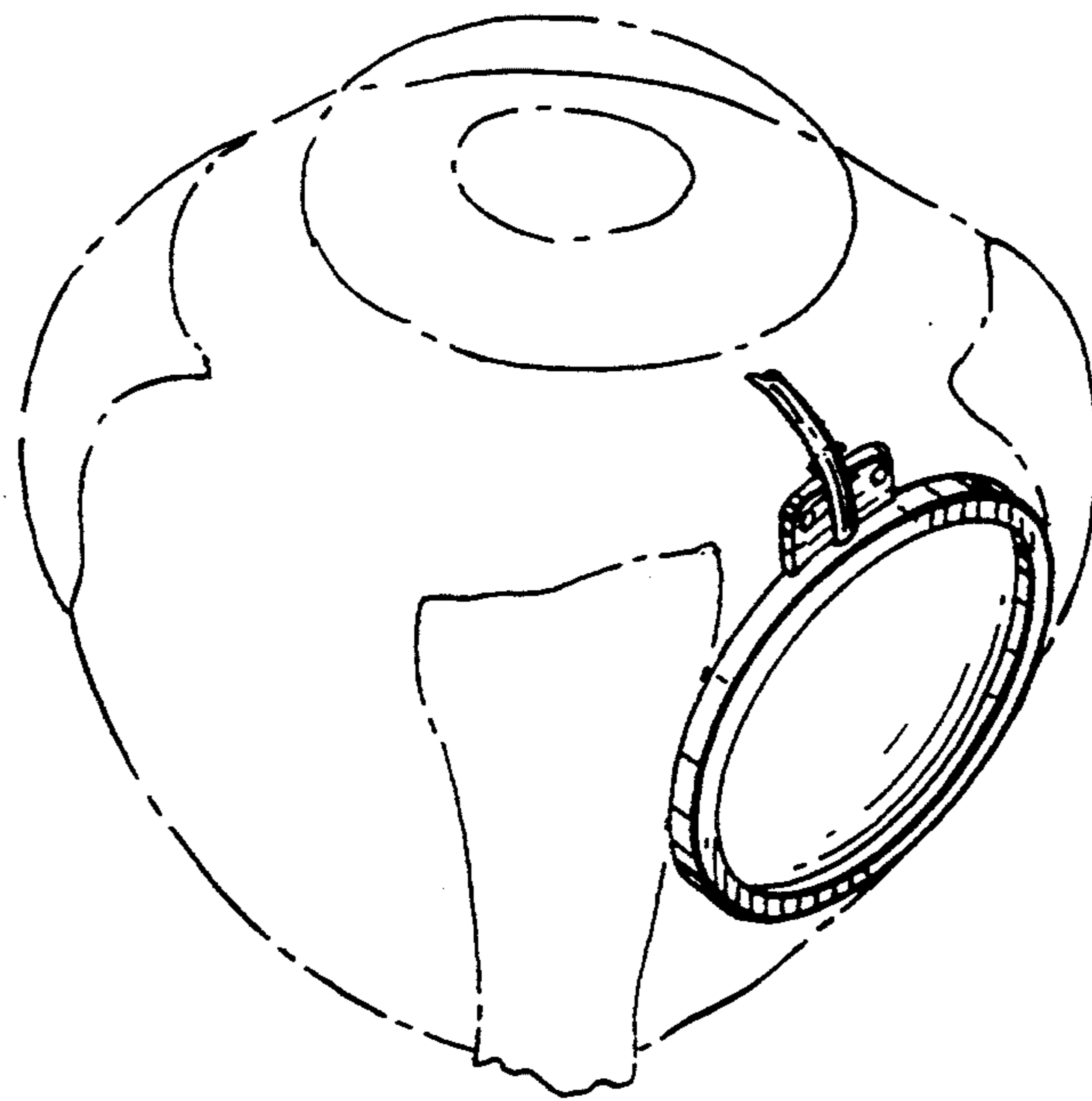


FIG. 5