



US00D356861S

United States Patent [19] Busalt

[11] Patent Number: **Des. 356,861**

[45] Date of Patent: **** Mar. 28, 1995**

[54] **ONCE-THROUGH HEATER**

[75] Inventor: **Gerhard Busalt**, Traunreut, Germany

[73] Assignee: **Bosch-Siemens Hausgeraete GmbH**,
Munich, Germany

[**] Term: **14 Years**

[21] Appl. No.: **18,076**

[22] Filed: **Jan. 28, 1994**

[30] **Foreign Application Priority Data**

Jul. 28, 1993 [DE] Germany 93 06 016.5

[52] U.S. Cl. **D23/318**

[58] Field of Search D23/318; 392/479-482;
126/350 D; 122/494

[56] **References Cited**

U.S. PATENT DOCUMENTS

4,680,445 7/1987 Ogawa 392/479

5,216,743 6/1993 Seitz 392/490

FOREIGN PATENT DOCUMENTS

261831 11/1987 Japan 126/350 D

Primary Examiner—Lisa P. Lichtenstein
Attorney, Agent, or Firm—Herbert L. Lerner; Laurence
A. Greenberg

[57] **CLAIM**

The ornamental design for a once-through heater, as shown and described.

DESCRIPTION

FIG. 1 is a perspective view of a once-through heater showing my new design;

FIG. 2 is a top-plan view thereof, it being understood that the orientation is arbitrarily chosen;

FIG. 3 is a right-side elevational view thereof;

FIG. 4 is a left-side elevational view thereof;

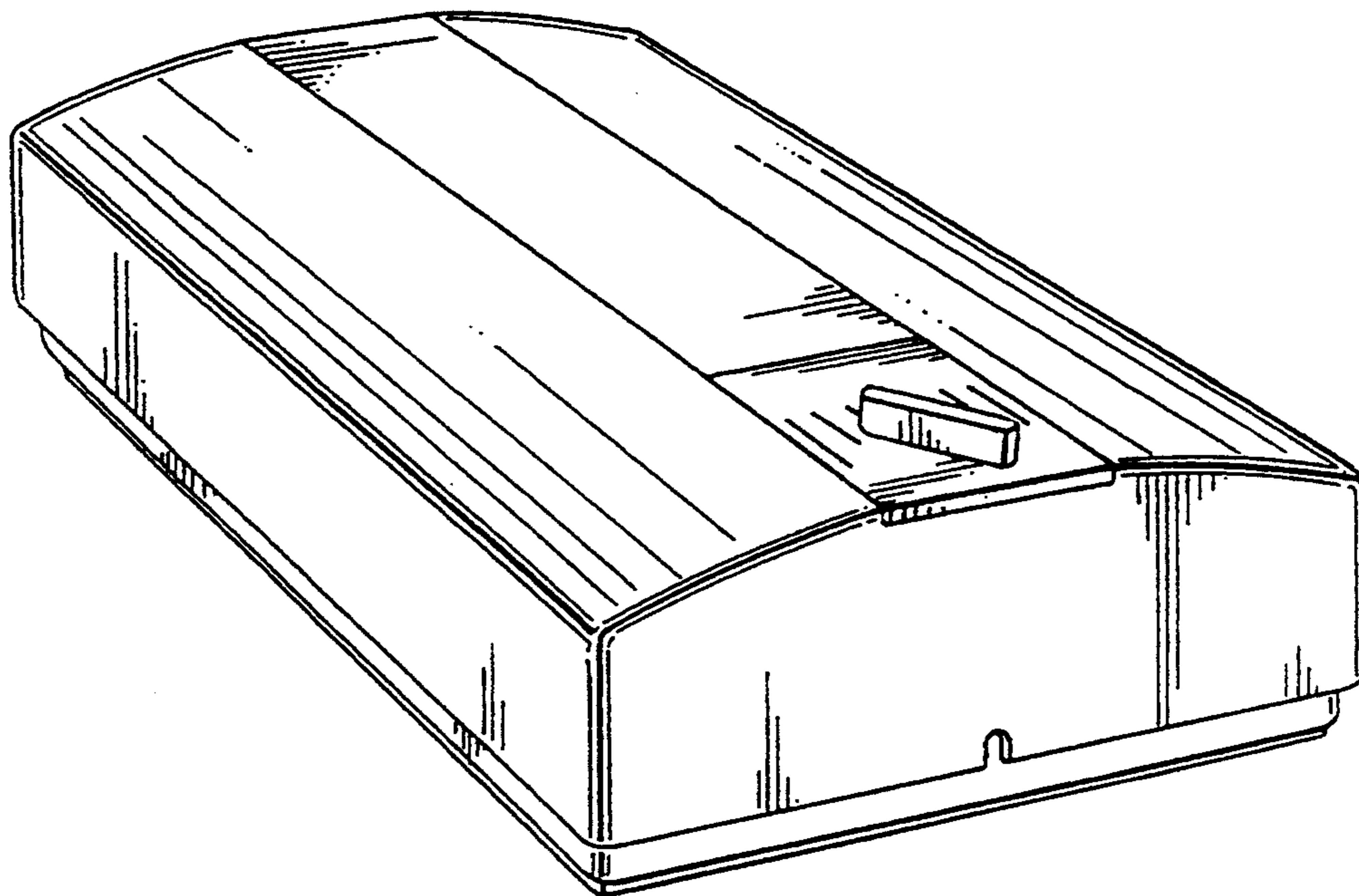
FIG. 5 is a front elevational view thereof;

FIG. 6 is a rear elevational view thereof;

FIG. 7 is a bottom plan view thereof;

FIG. 8 is a view similar to FIG. 1 of a second embodiment of the invention; and,

FIG. 9 is a view similar to FIG. 2 of the second embodiment, it being understood that all further views of the second embodiment would be identical to FIGS. 3-7.



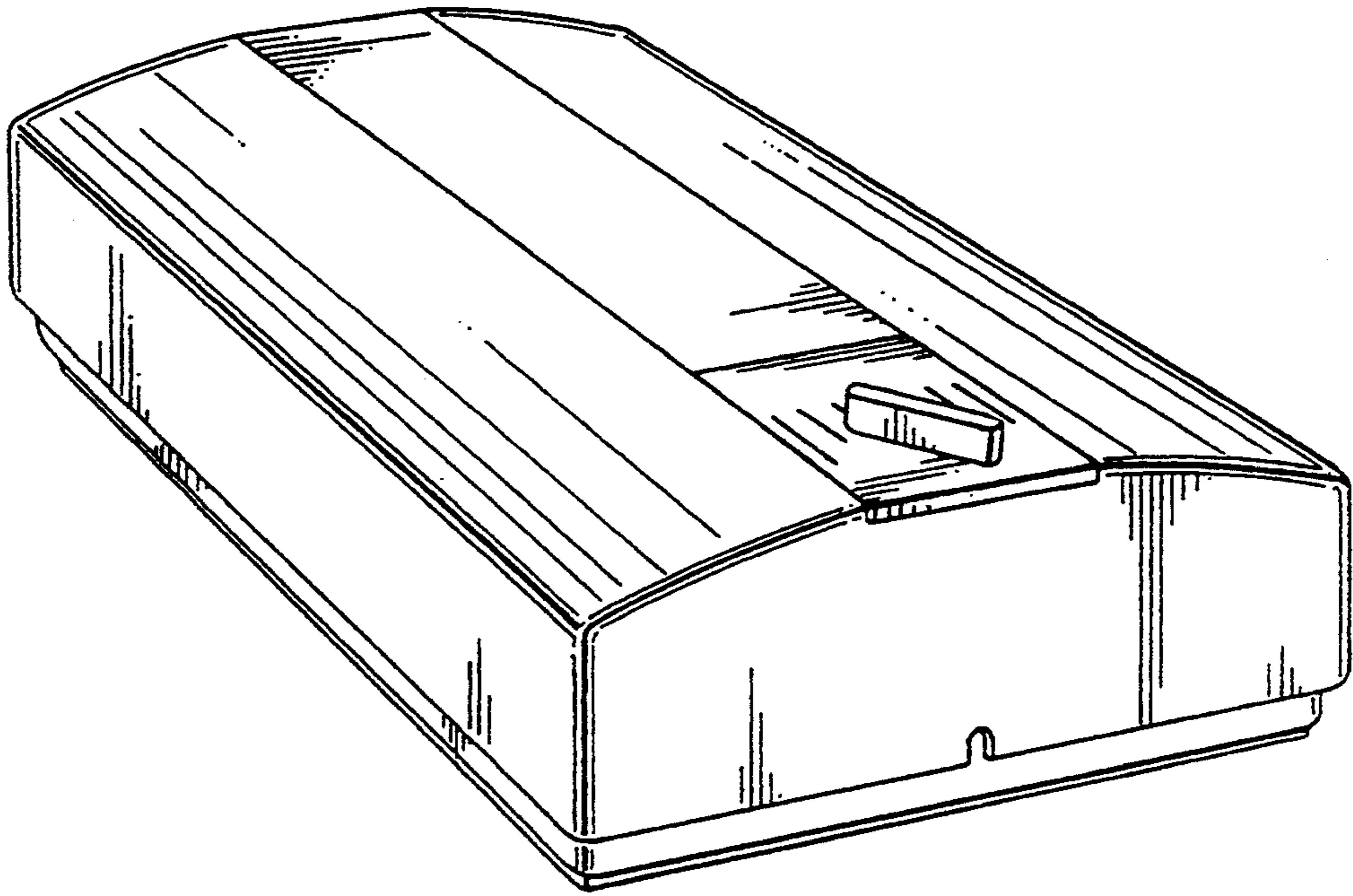


Fig. 1

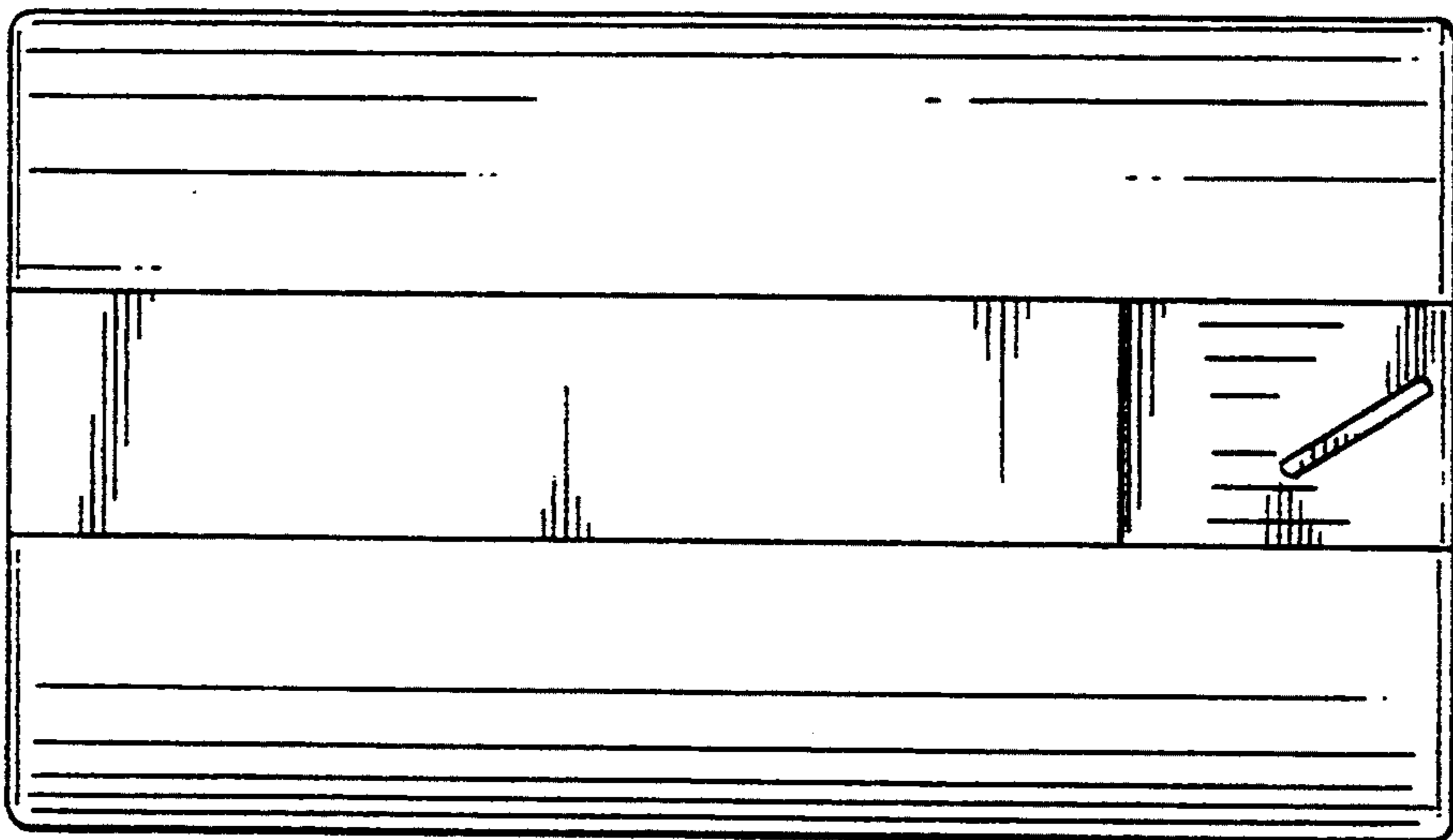


Fig. 2

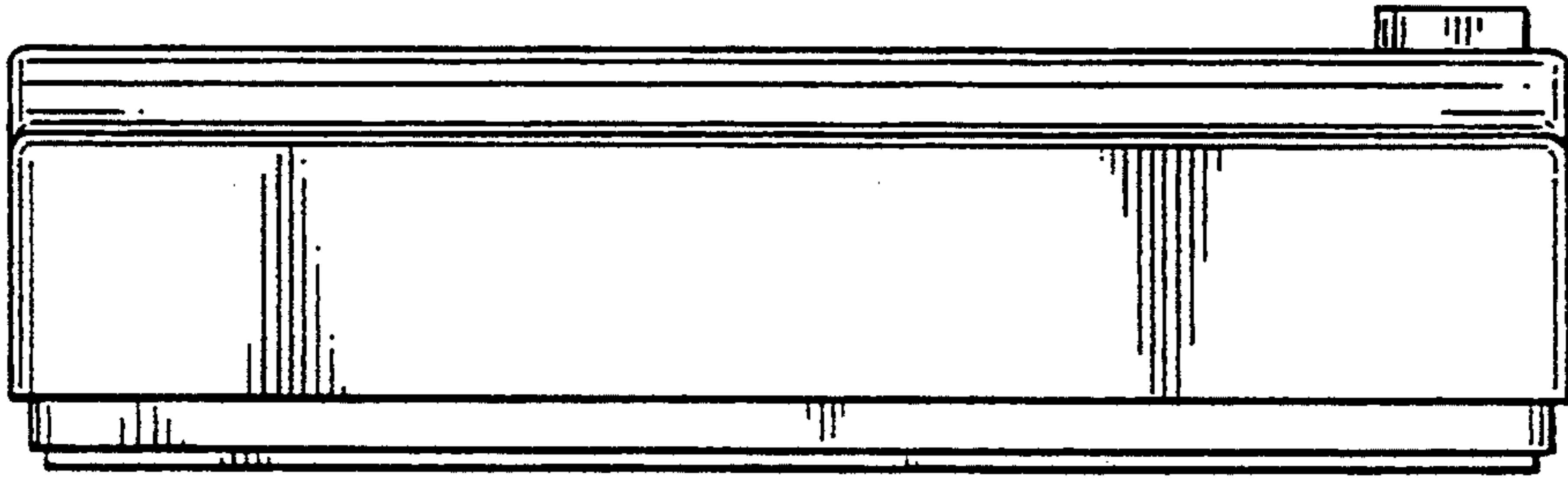


Fig. 3

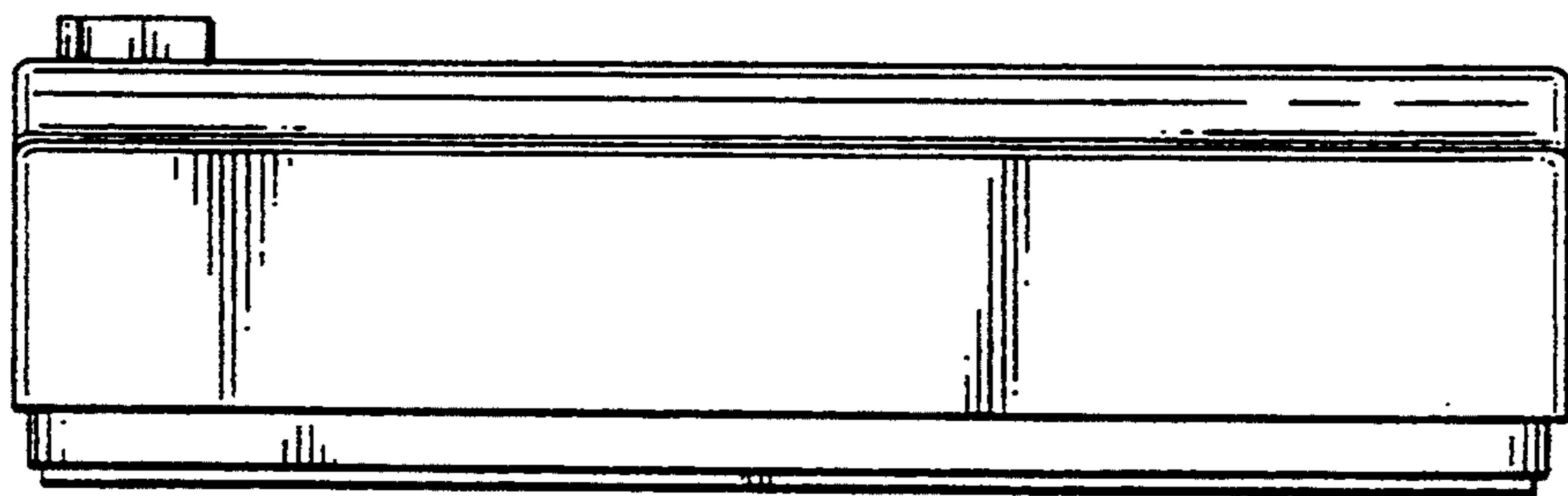


Fig. 4

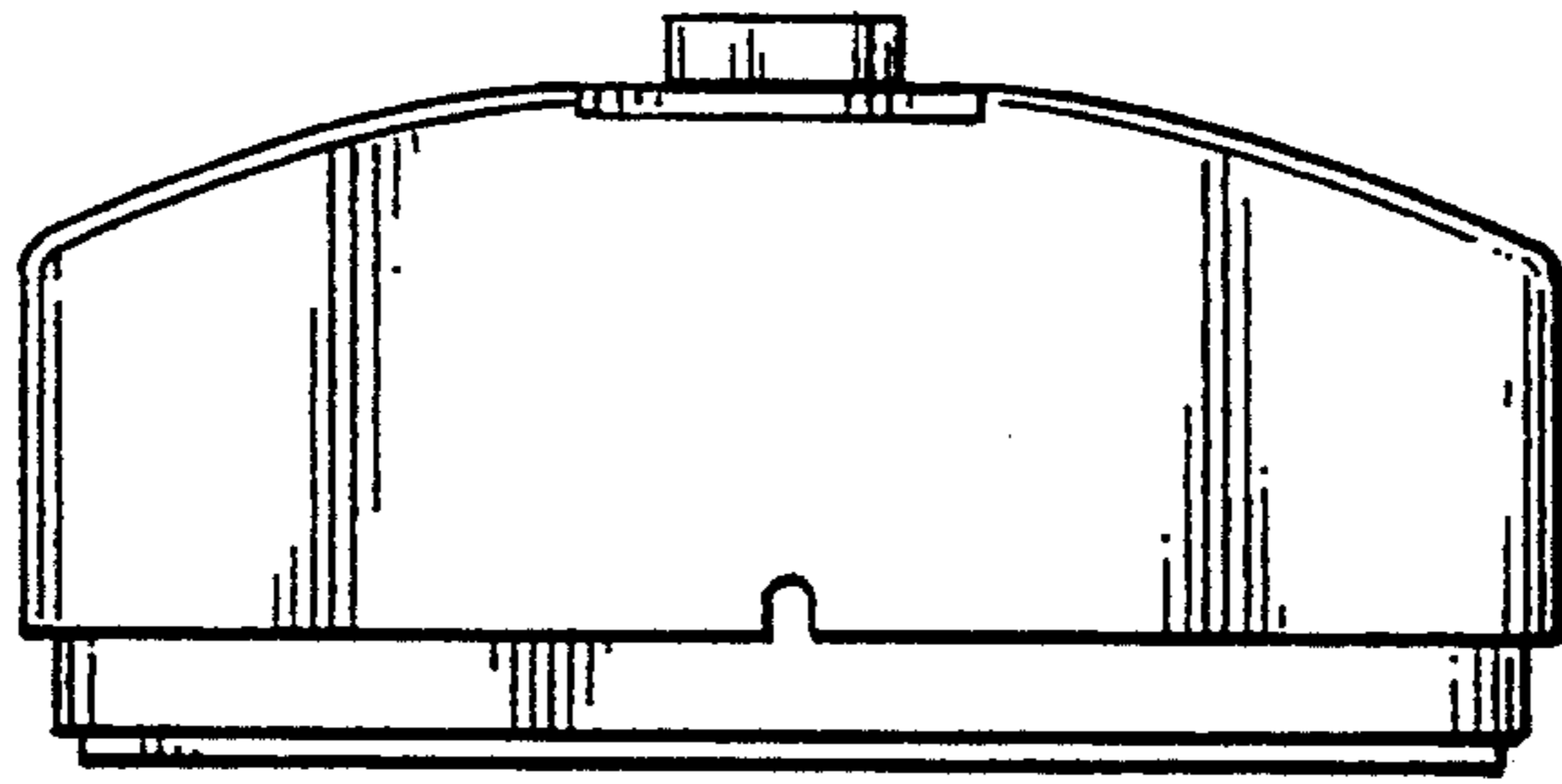


Fig. 5

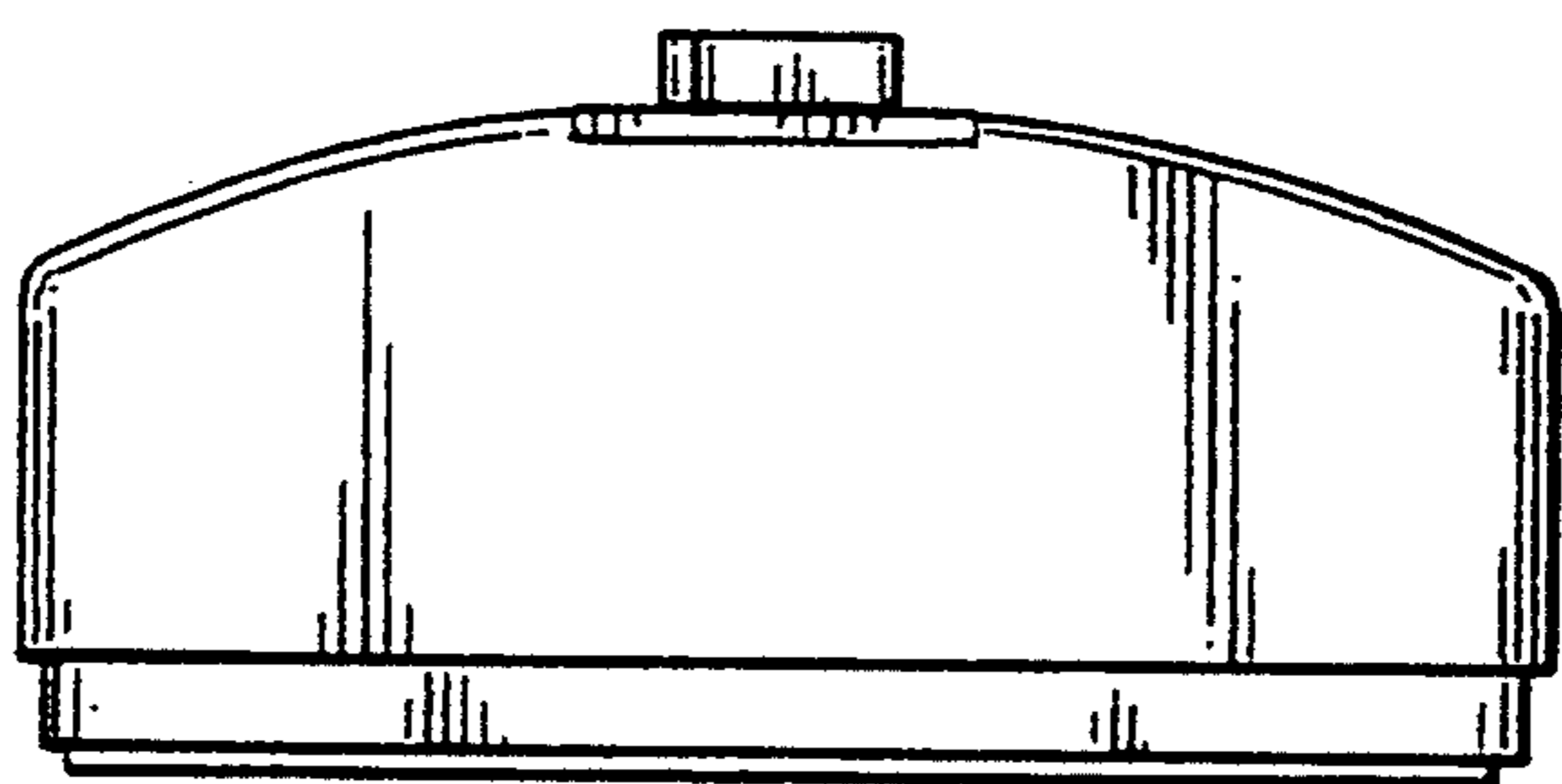


Fig. 6

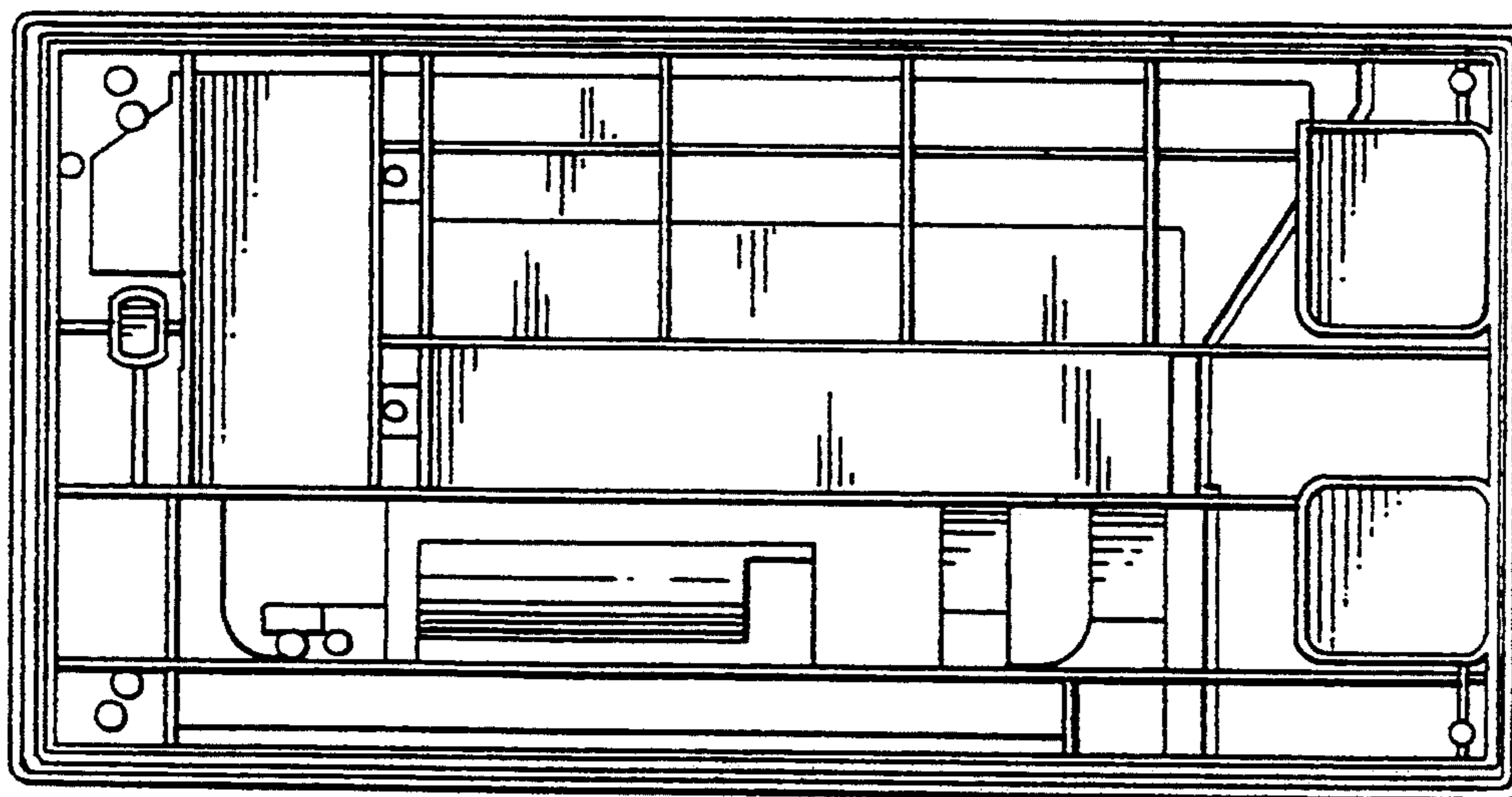


Fig. 7

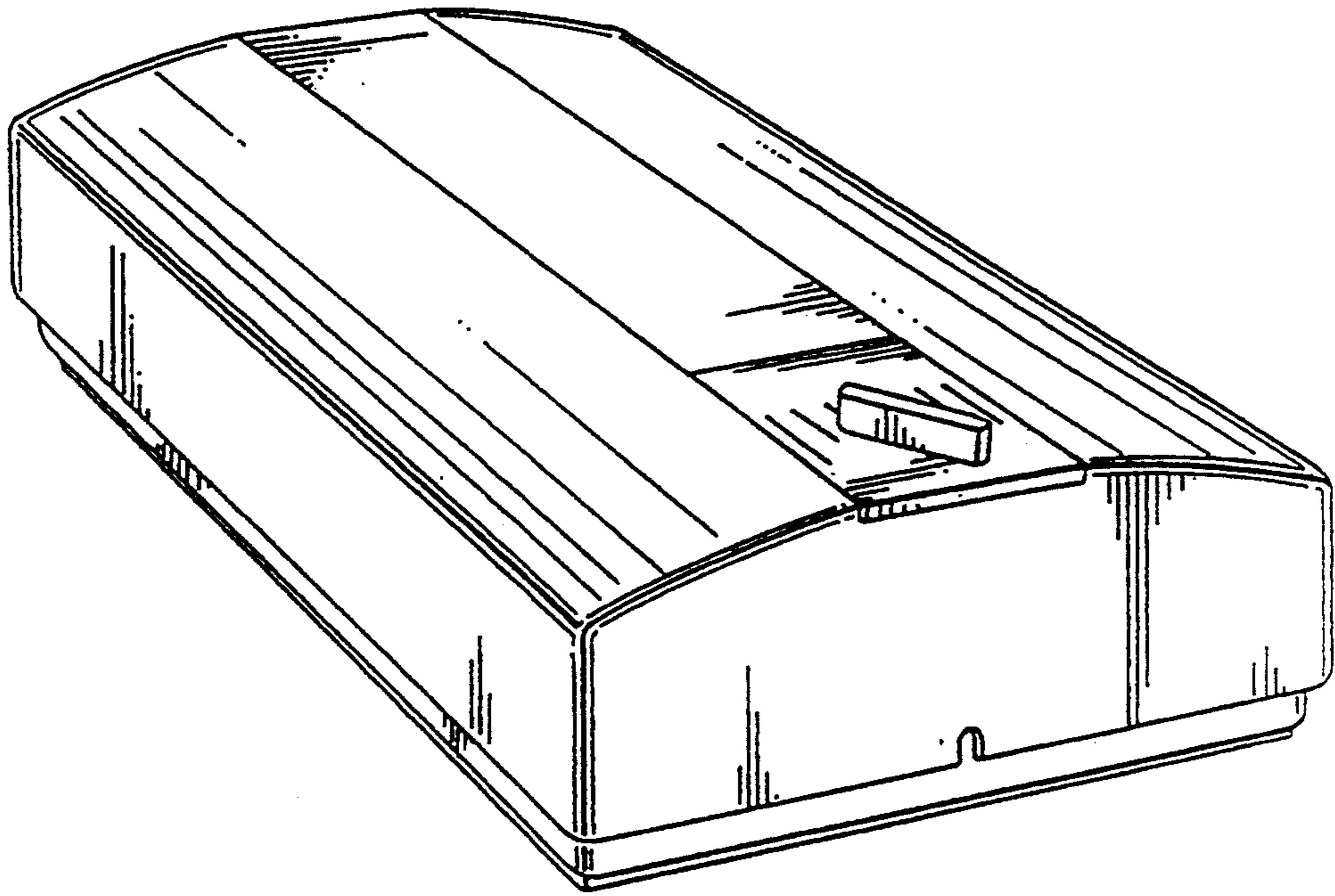


Fig. 8

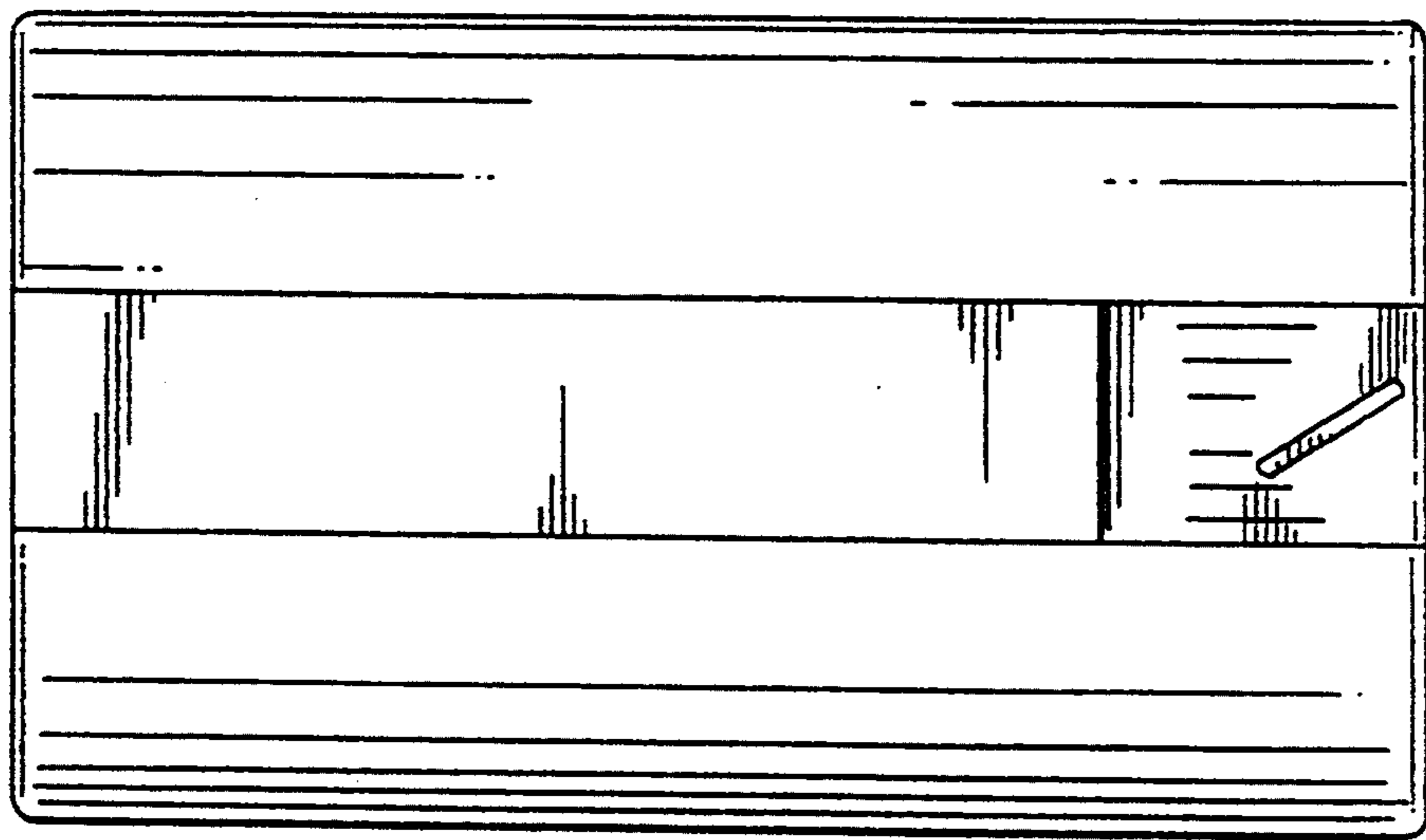


Fig. 9