



US00D356859S

United States Patent [19]

[11] Patent Number: **Des. 356,859**

Formgren

[45] Date of Patent: **** Mar. 28, 1995**

[54] SINK

[75] Inventor: **Anna-Pia K. Formgren**, Paris, France

[73] Assignee: **Jacob Delafon**, Paris, France

[**] Term: **14 Years**

[21] Appl. No.: **15,070**

[22] Filed: **Nov. 5, 1993**

[52] U.S. Cl. **D23/287**

[58] Field of Search **D23/284, 287, 289, 290, D23/293, 294, 619, 625, 629, 638-642, 646, 656**

[56] **References Cited**

U.S. PATENT DOCUMENTS

D. 83,246	2/1931	Brotz	4/637	X
D. 114,641	5/1939	Morgan	D23/287	
1,916,910	7/1933	Stanitz	4/635	
2,273,606	2/1942	Webber	D23/287	X

Primary Examiner—A. Hugo Word

Assistant Examiner—Eric Watterson
Attorney, Agent, or Firm—Quarles & Brady

[57] **CLAIM**

The ornamental design for a sink, as shown and described.

DESCRIPTION

FIG. 1 is a perspective view taken from the top, front and left side of a sink embodying my new design;

FIG. 2 is a top plan view thereof;

FIG. 3 is a cross-sectional view taken on line 3—3 of FIG. 2;

FIG. 4 is a cross-sectional view taken on line 4—4 of FIG. 2; and,

FIG. 5 is a cross-sectional view taken of line 5—5 of FIG. 2.

The fragmentary broken line representations of mounting holes in FIGS. 1 and 2, an overflow hole in FIGS. 1 and 3 and a countertop in FIG. 1 are for the purpose of illustration only, and form no part of the claimed design.

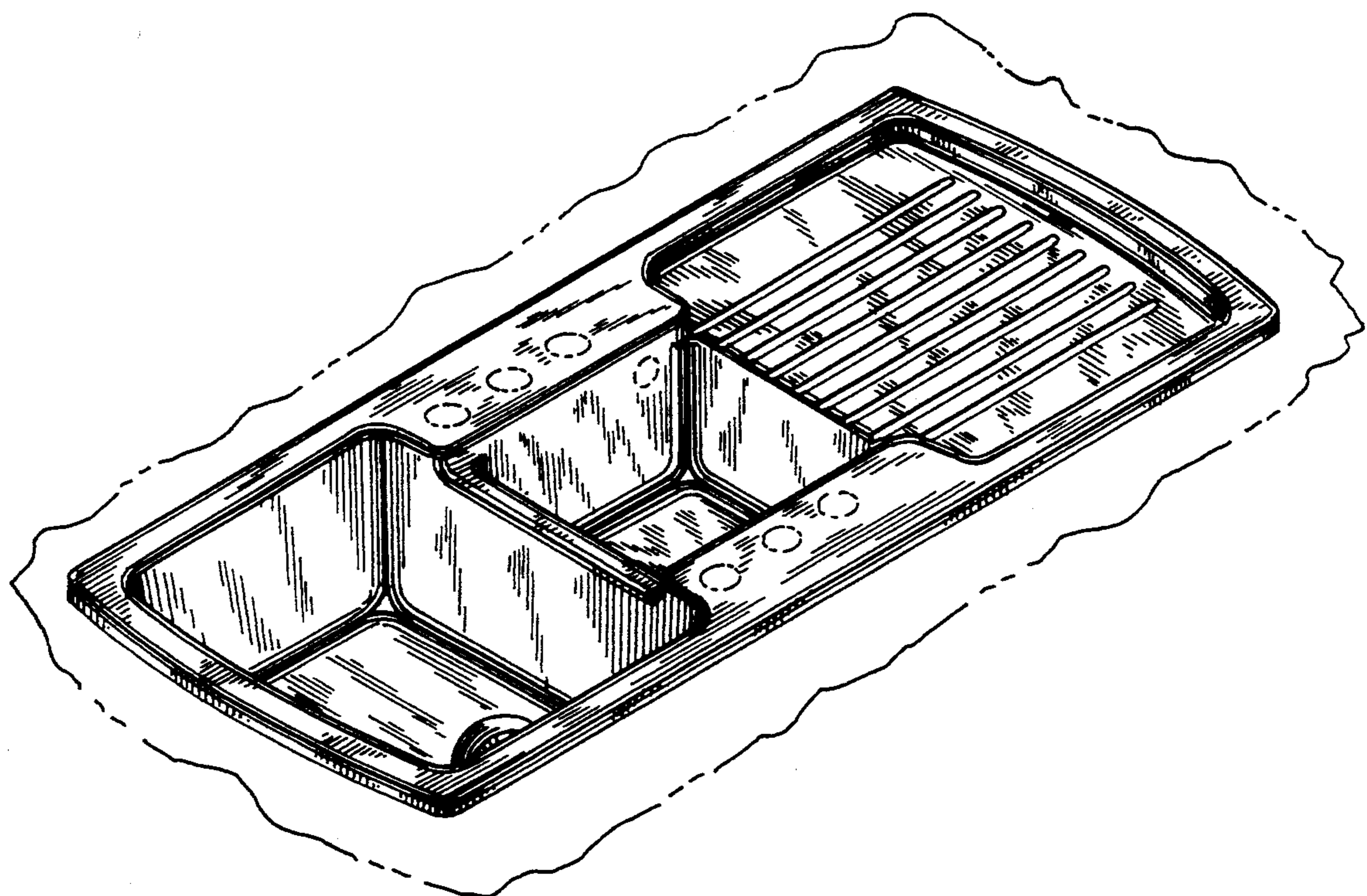


FIG. 1

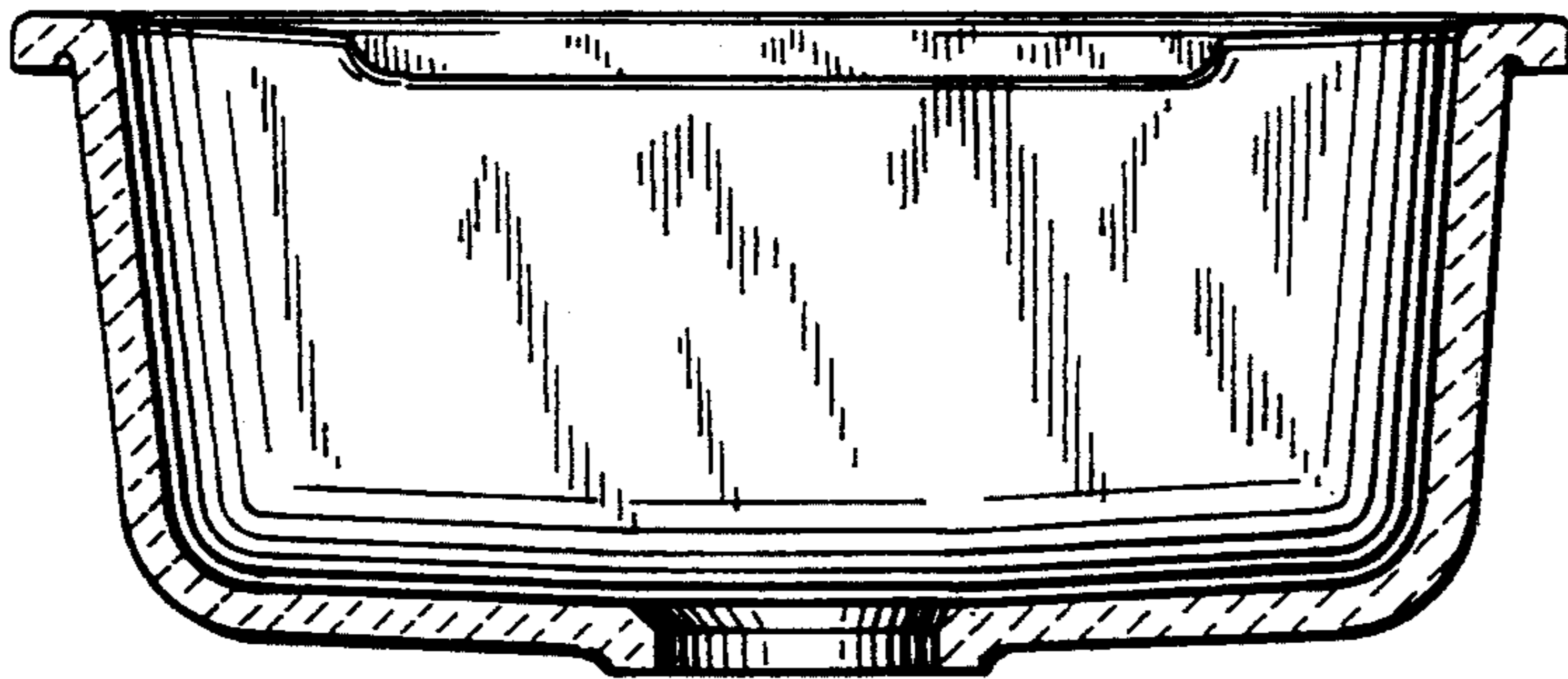
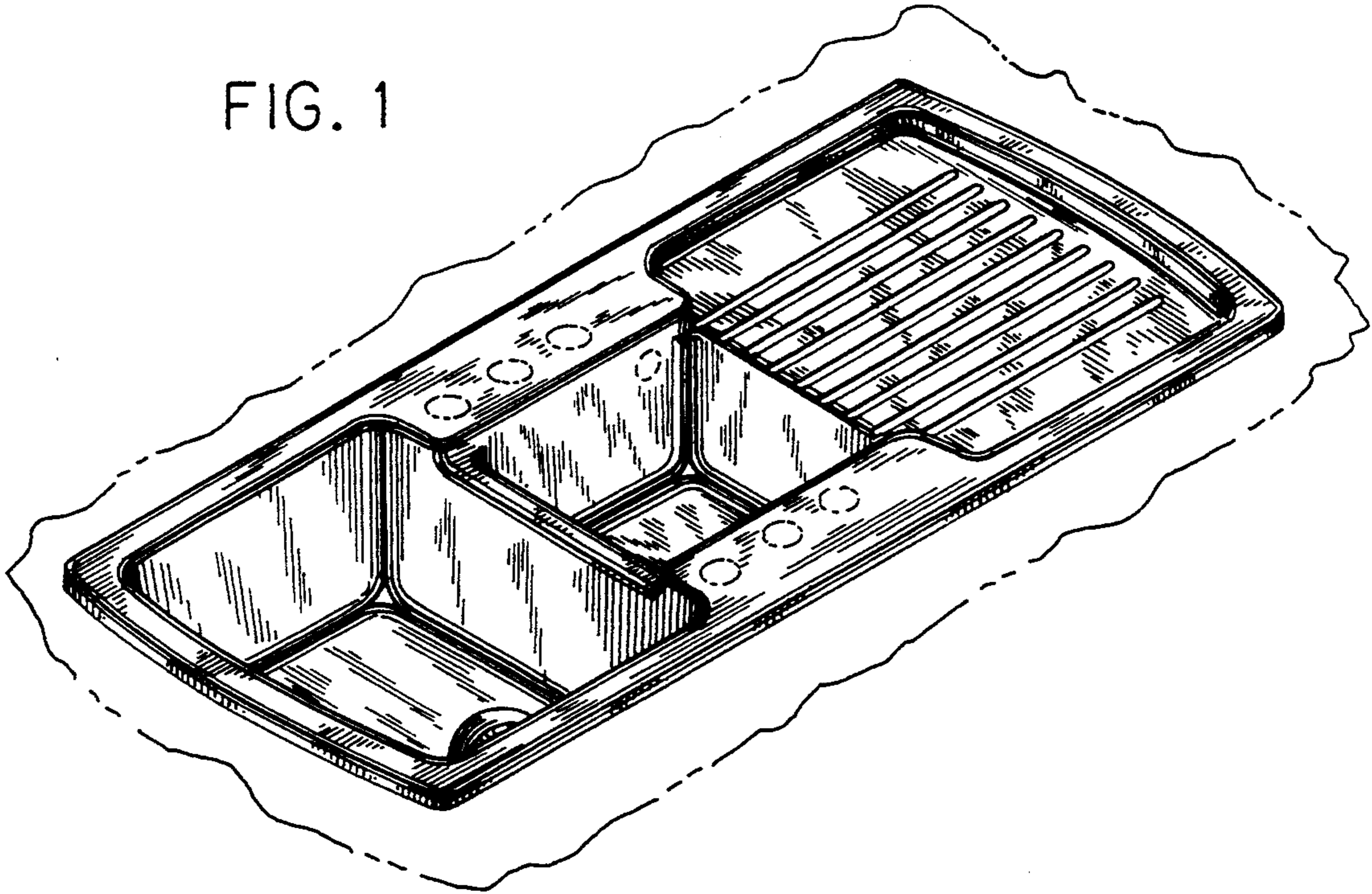


FIG. 4

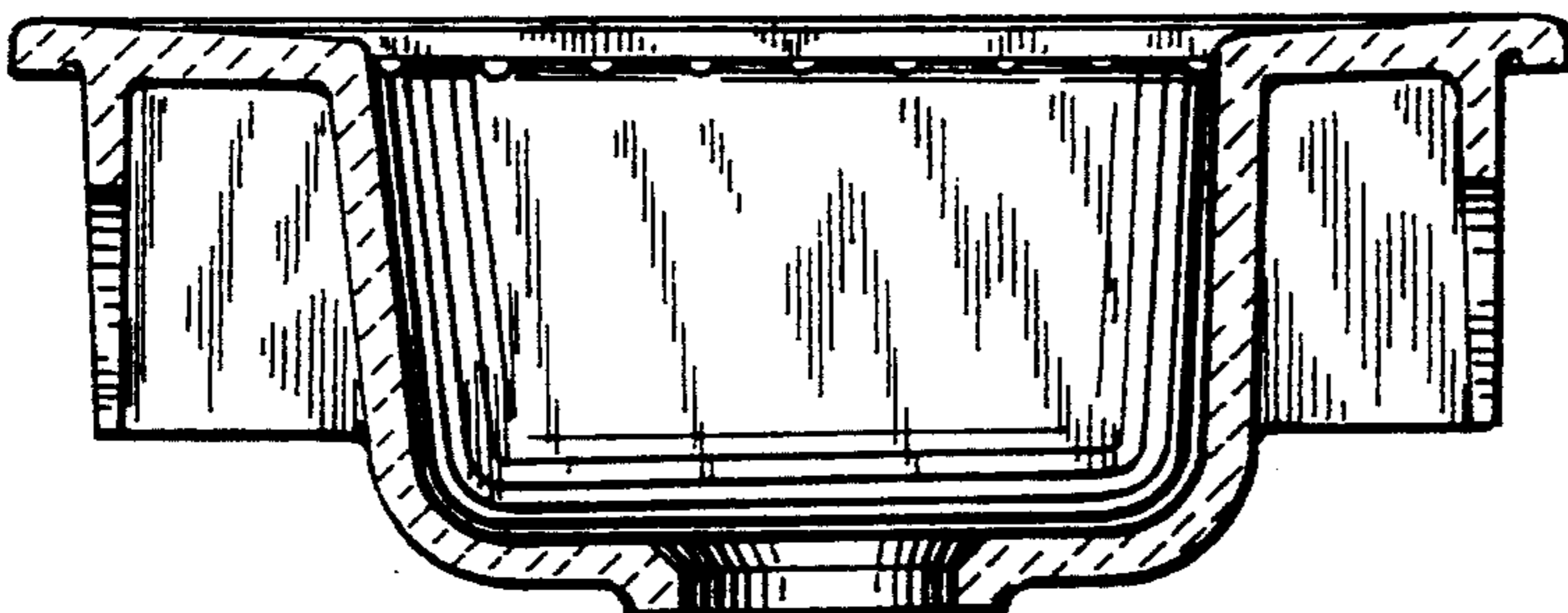


FIG. 5

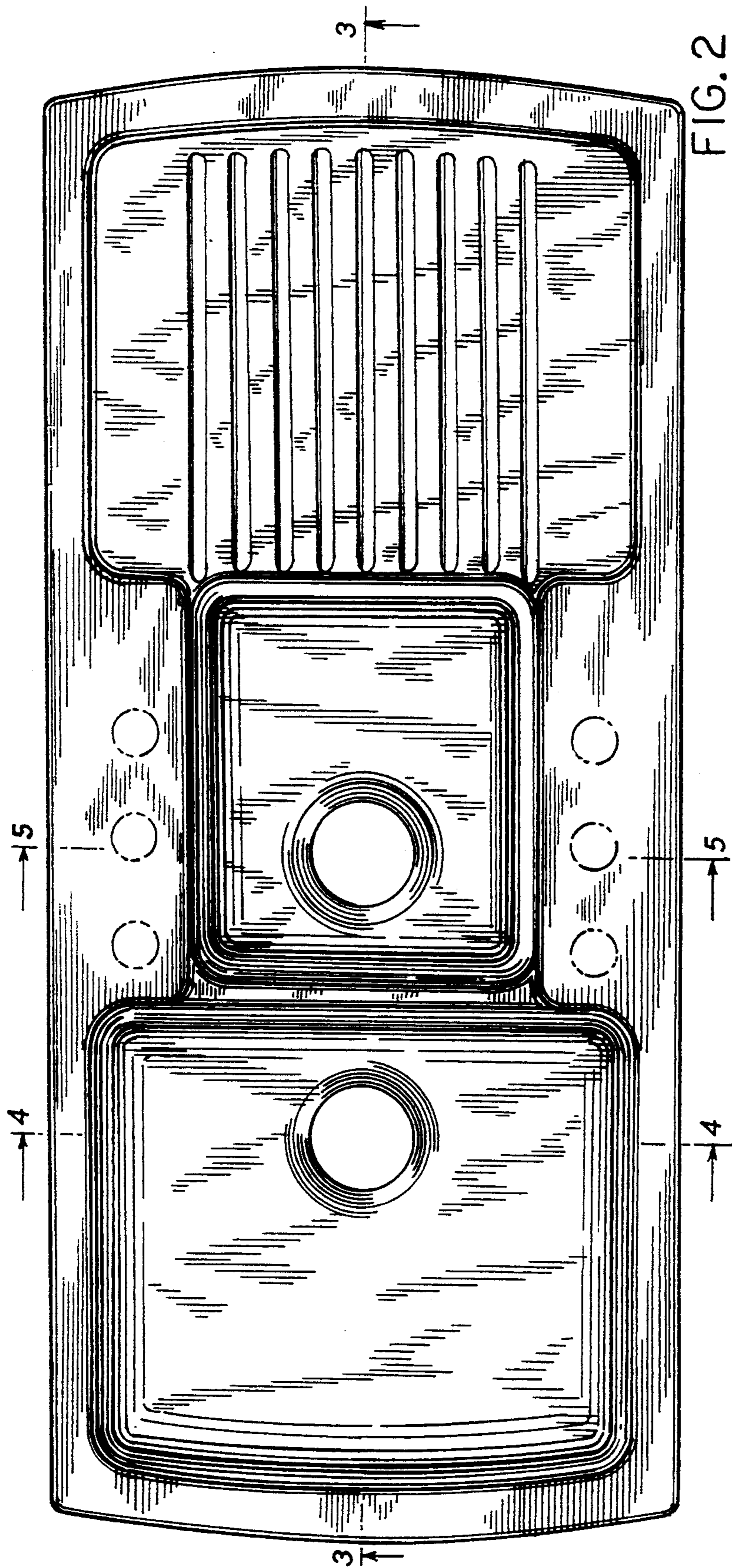


FIG. 2

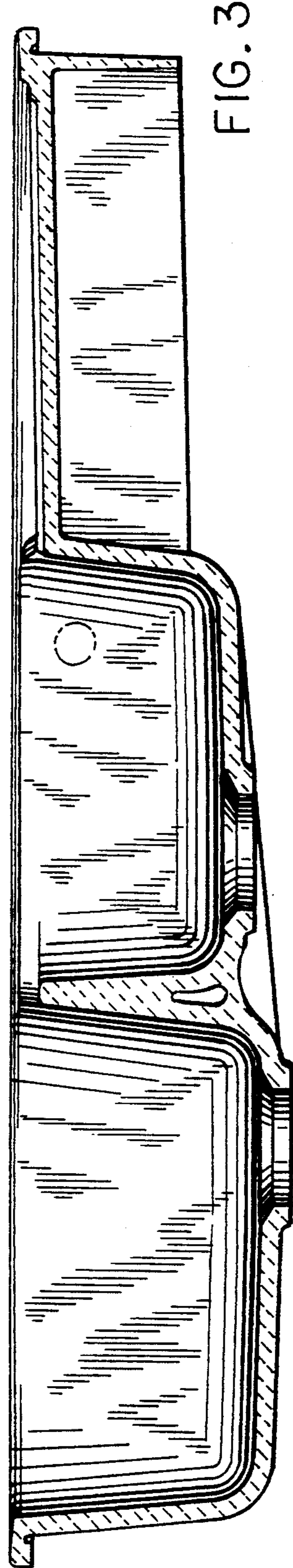


FIG. 3