



US00D356854S

United States Patent [19] Hsieh

[11] Patent Number: **Des. 356,854**

[45] Date of Patent: **** Mar. 28, 1995**

[54] **SHOWER HEAD**

[75] Inventor: **Elvis Hsieh**, Taichung, Taiwan,
Prov. of China

[73] Assignee: **Maxflo Inc.**, Taichung, Taiwan,
Prov. of China

[**] Term: **14 Years**

[21] Appl. No.: **24,045**

[22] Filed: **Jun. 6, 1994**

[52] U.S. Cl. **D23/213**

[58] Field of Search D23/213, 223-230;
239/300-302, 280-283, 288.5, 276, 456-460,
394, 525-528, 332-333

[56] **References Cited**

U.S. PATENT DOCUMENTS

- D. 282,199 1/1986 Shames et al. D23/230
- D. 314,608 2/1991 Presman D23/213

- D. 315,191 3/1991 Mikol D23/213
- D. 323,545 1/1992 Ward D23/213

Primary Examiner—James M. Gandy

Assistant Examiner—Robin V. Taylor

Attorney, Agent, or Firm—Morton J. Rosenberg; David
I. Klein

[57] **CLAIM**

The ornamental design for a shower head, as shown and described.

DESCRIPTION

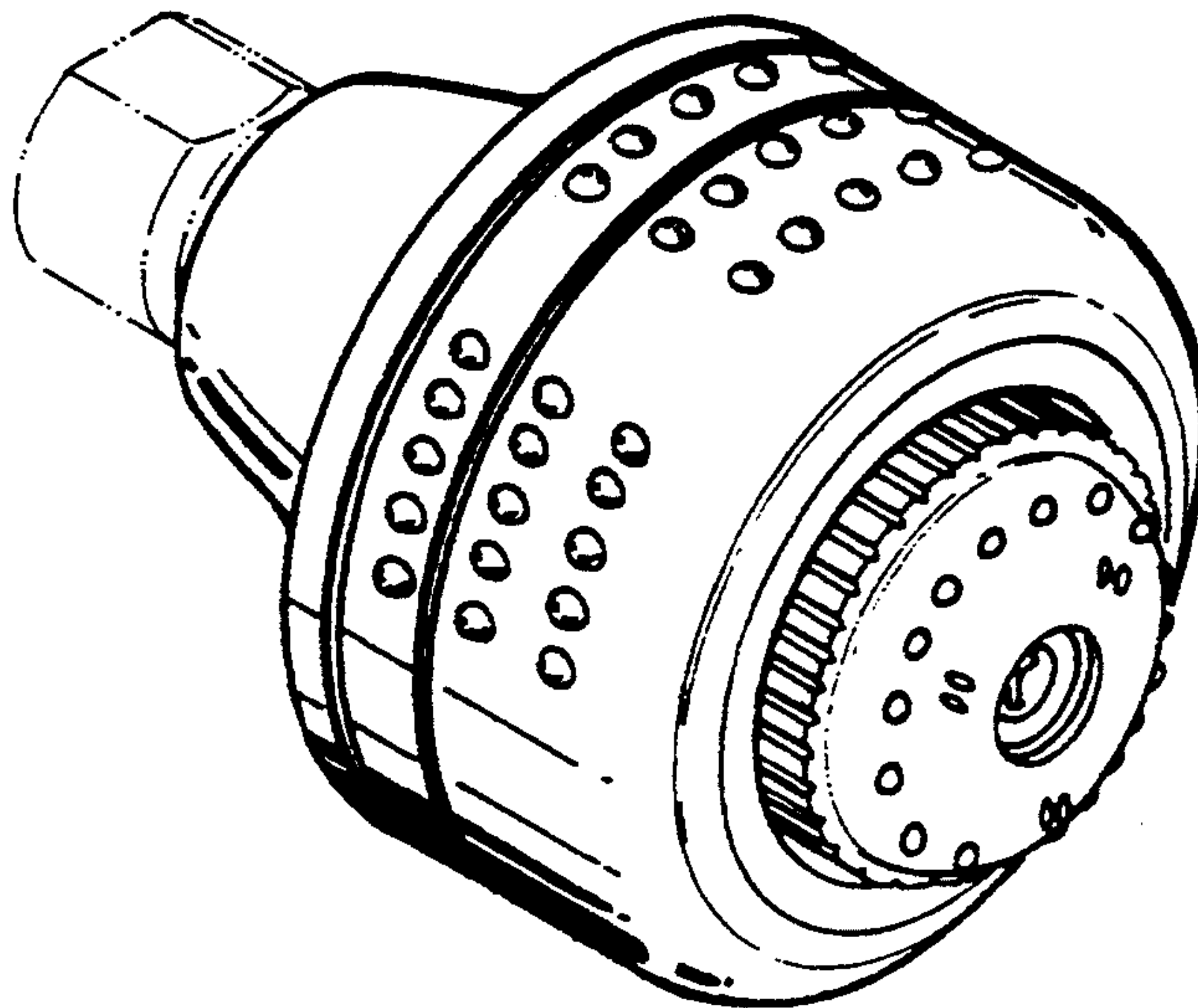
FIG. 1 is a perspective view of a shower head showing my new design;

FIG. 2 is a side view thereof, the other side being a mirror image;

FIG. 3 is a top view thereof; and,

FIG. 4 is a bottom view thereof.

The broken line showing is for illustrative purposes only and forms no part of the claimed design.



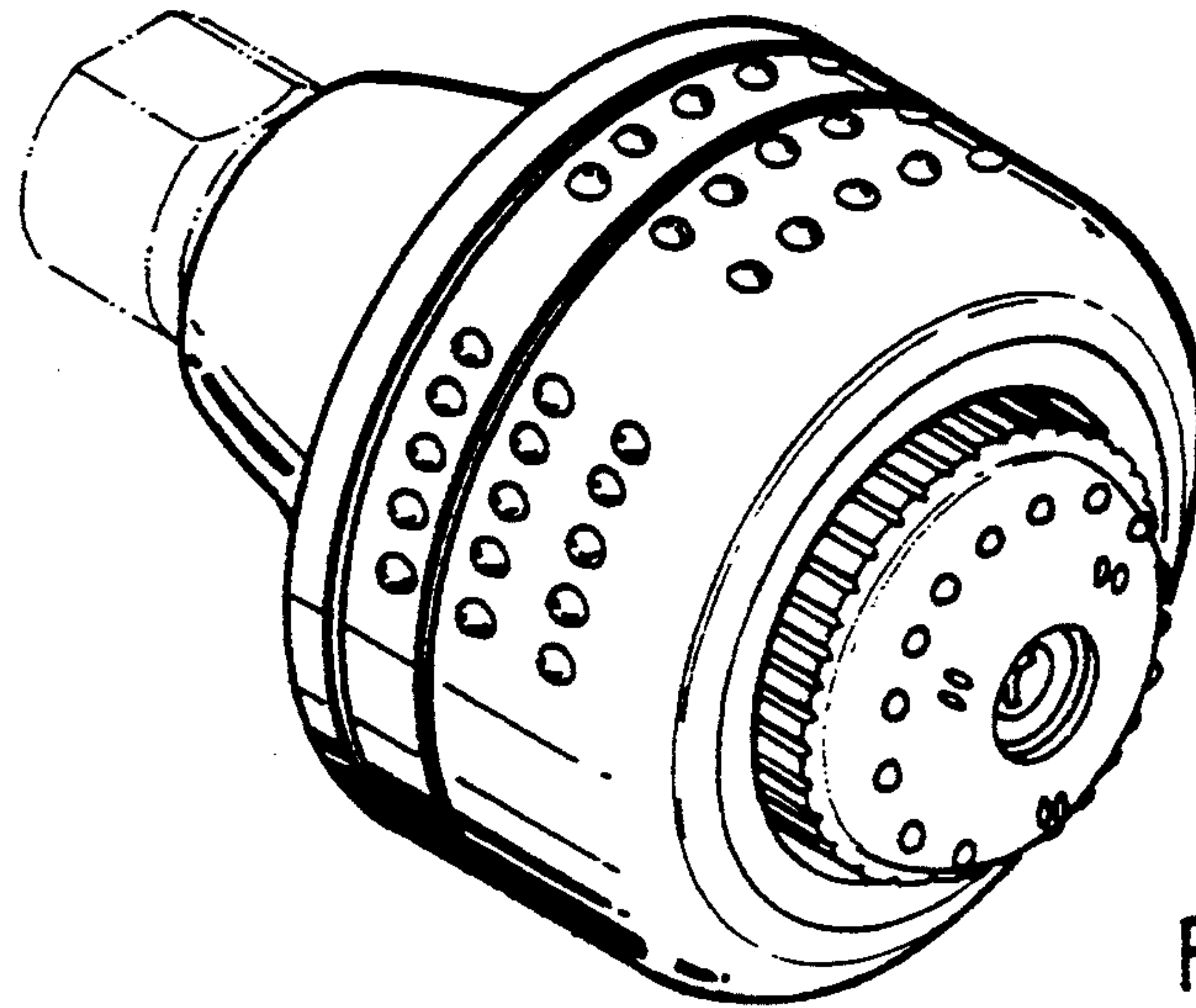


FIG. 1

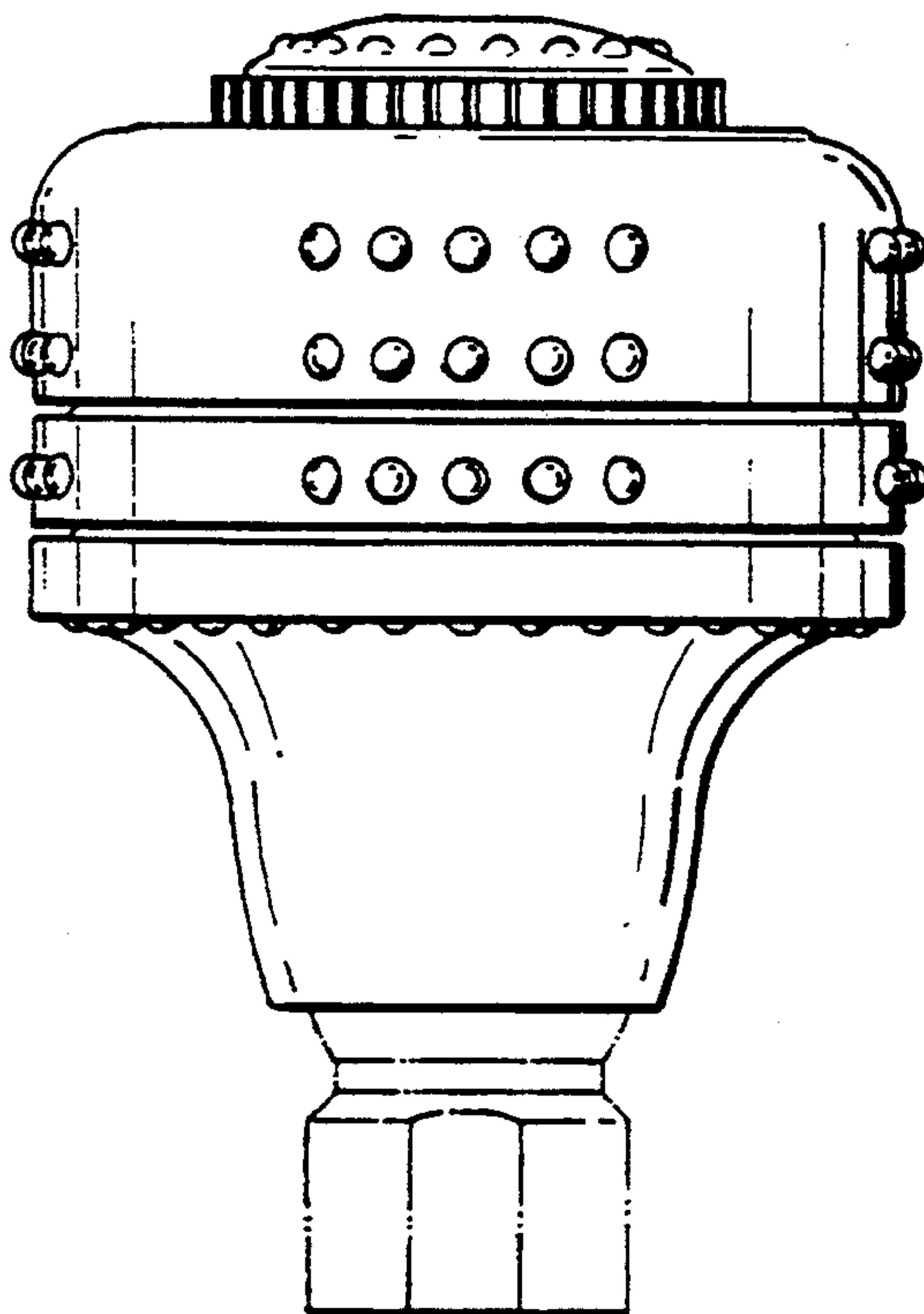


FIG. 2

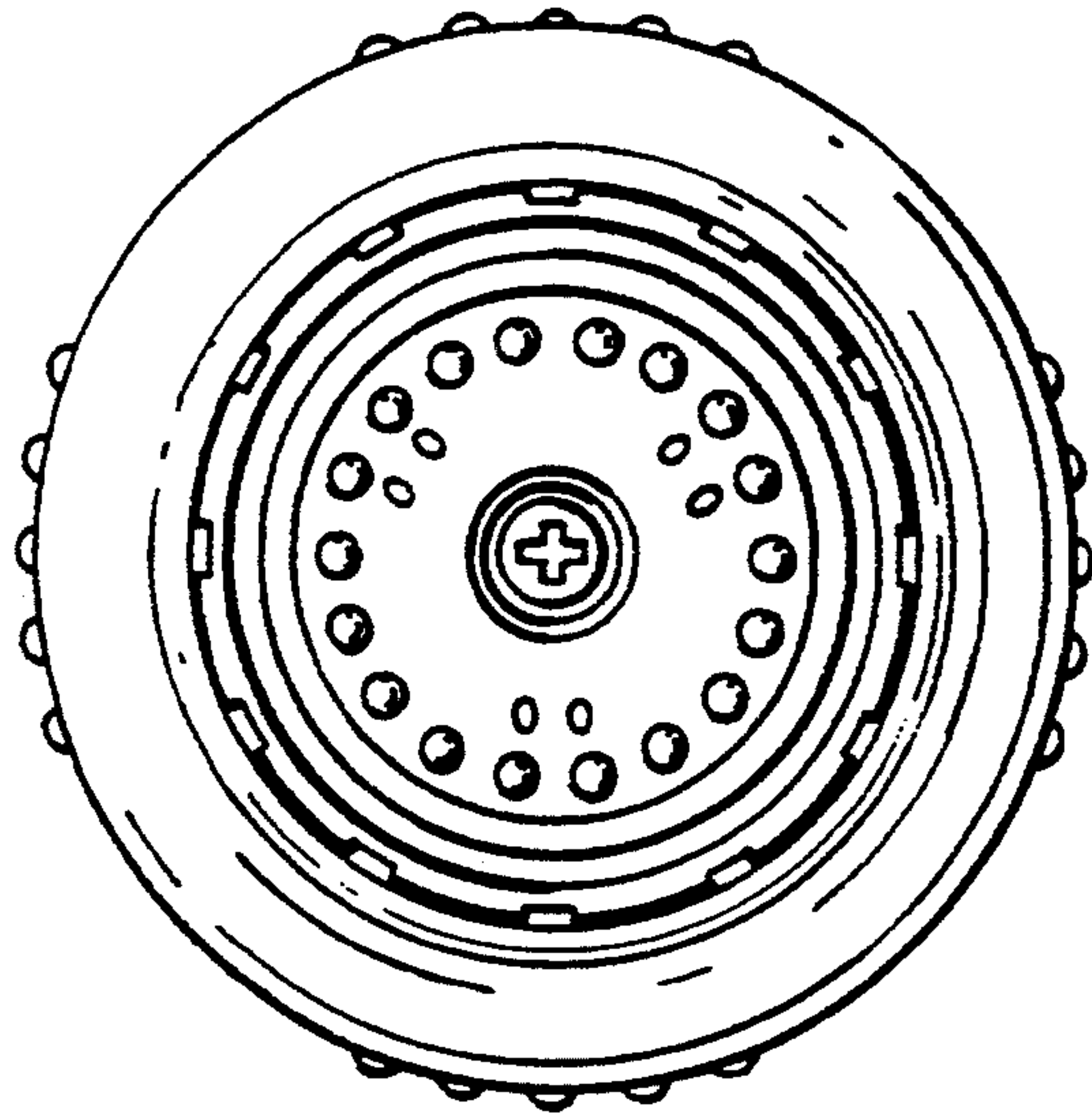


FIG. 3

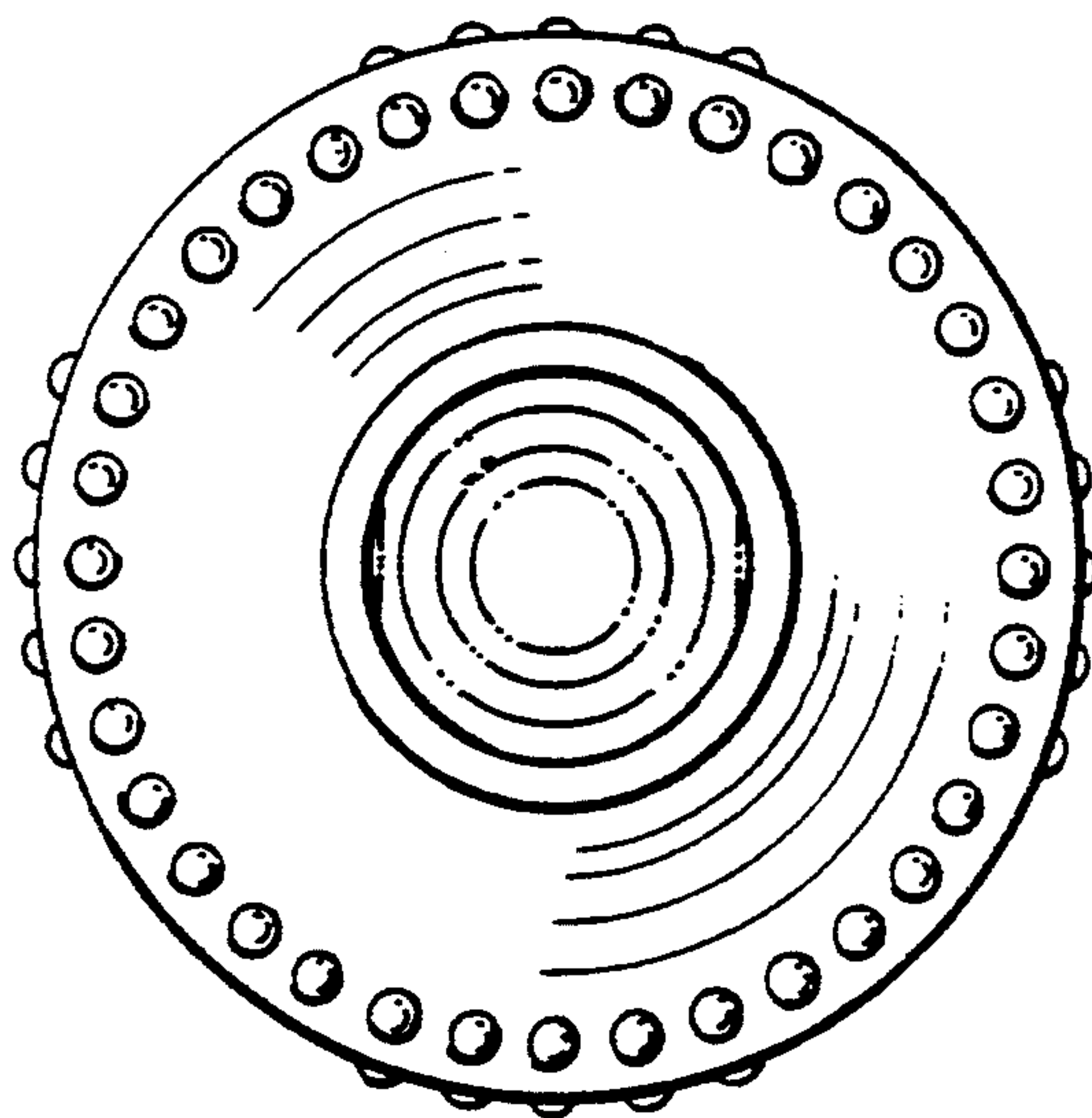


FIG. 4