



US00D356849S

United States Patent [19]

[11] Patent Number: **Des. 356,849**

Butler et al.

[45] Date of Patent: **** Mar. 28, 1995**

[54] **TESTER FOR INSECT ATTRACTANCY AND REPELLENCY**

[75] Inventors: **Jerry F. Butler, Gainesville, Fla.;
Craig B. Warren, Rumson, N.J.**

[73] Assignees: **International Flavors & Fragrances Inc., New York, N.Y.; The University of Florida, Gainesville, Fla.**

[**] Term: **14 Years**

[21] Appl. No.: **15,742**

[22] Filed: **Nov. 26, 1993**

3,487,577	1/1970	Sexton	43/113
4,366,562	12/1982	McGinty	D22/120
4,366,643	1/1983	Boaz	43/113
4,506,473	3/1985	Waters, Jr.	43/107
4,694,604	9/1987	Mitchell	43/122 X
5,205,065	4/1993	Wilson et al.	43/107 X
5,228,233	7/1993	Butler et al.	43/113
5,327,675	7/1994	Butler et al.	43/113

Primary Examiner—Stella Reid
Assistant Examiner—Doris V. Coles
Attorney, Agent, or Firm—Arthur L. Liberman

[57] CLAIM

The ornamental design for a tester for insect attractancy and repellency, as shown and described.

DESCRIPTION

FIG. 1 is a perspective view of a tester for insect attractancy and repellency, showing our new design;
FIG. 2 is a front elevational view with part of the top central pipe cut away for the convenience of illustration, the rear being a mirror image thereof;
FIG. 3 is a top plan view;
FIG. 4 is a bottom plan view;
FIG. 5 is a front elevational view of a second embodiment, with part of the top central pipe cut away for the convenience of illustration, the rear being a mirror image thereof;
FIG. 6 is a top plan view; and,
FIG. 7 is a bottom plan view.

Related U.S. Application Data

[63] Continuation-in-part of Ser. No. 7,287, Jan. 21, 1993, Pat. No. 5,327,675, which is a continuation-in-part of Ser. No. 887,138, May 22, 1992, Pat. No. 5,228,233.

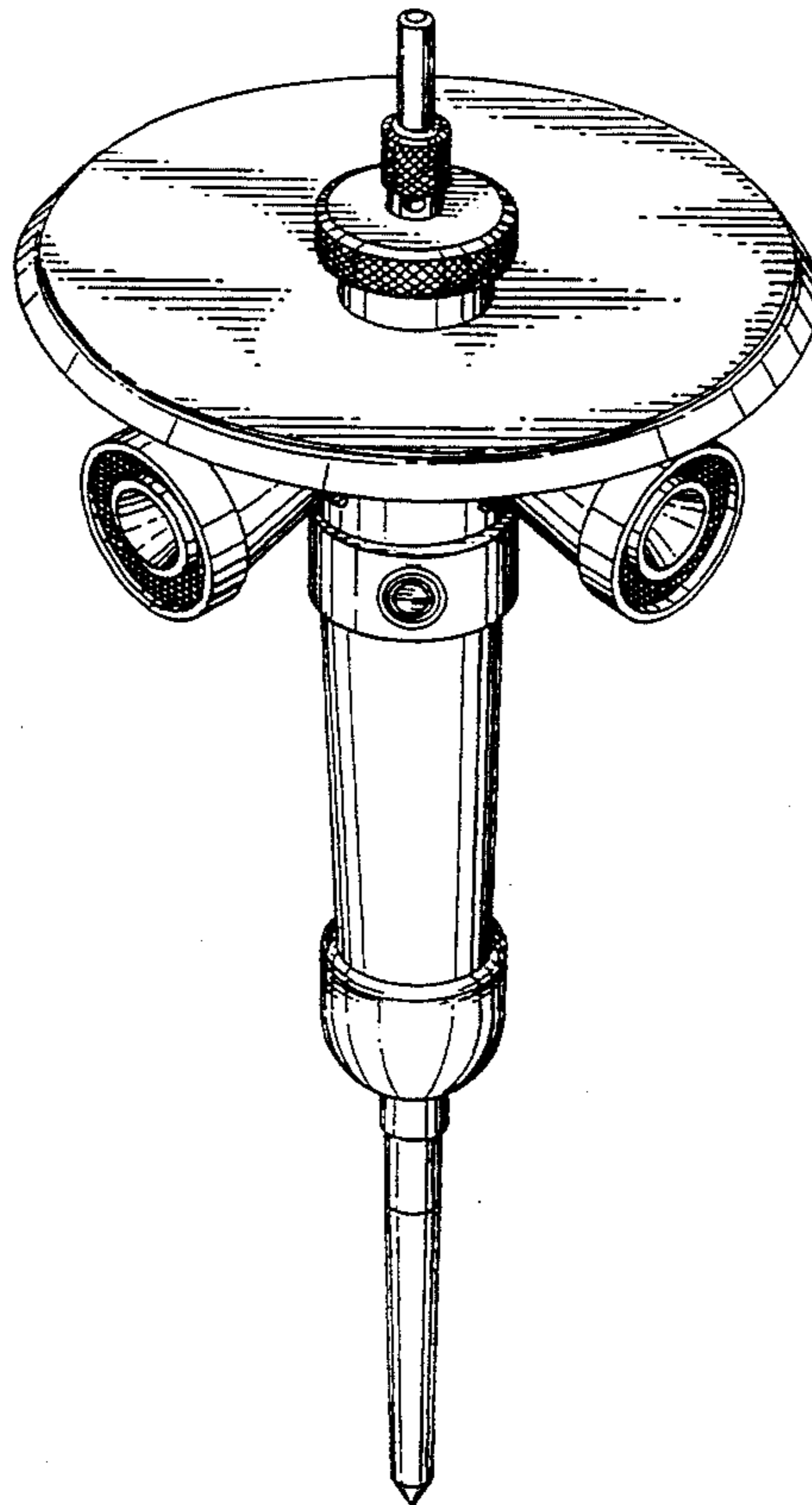
[52] U.S. Cl. **D22/120**

[58] Field of Search D22/119, 120, 122;
43/107, 113, 122, 124, 132.1, 139

[56] References Cited

U.S. PATENT DOCUMENTS

720,990	2/1903	Williams	43/113
723,446	3/1903	Dull	43/113
1,488,178	3/1924	Thomas et al.	43/113



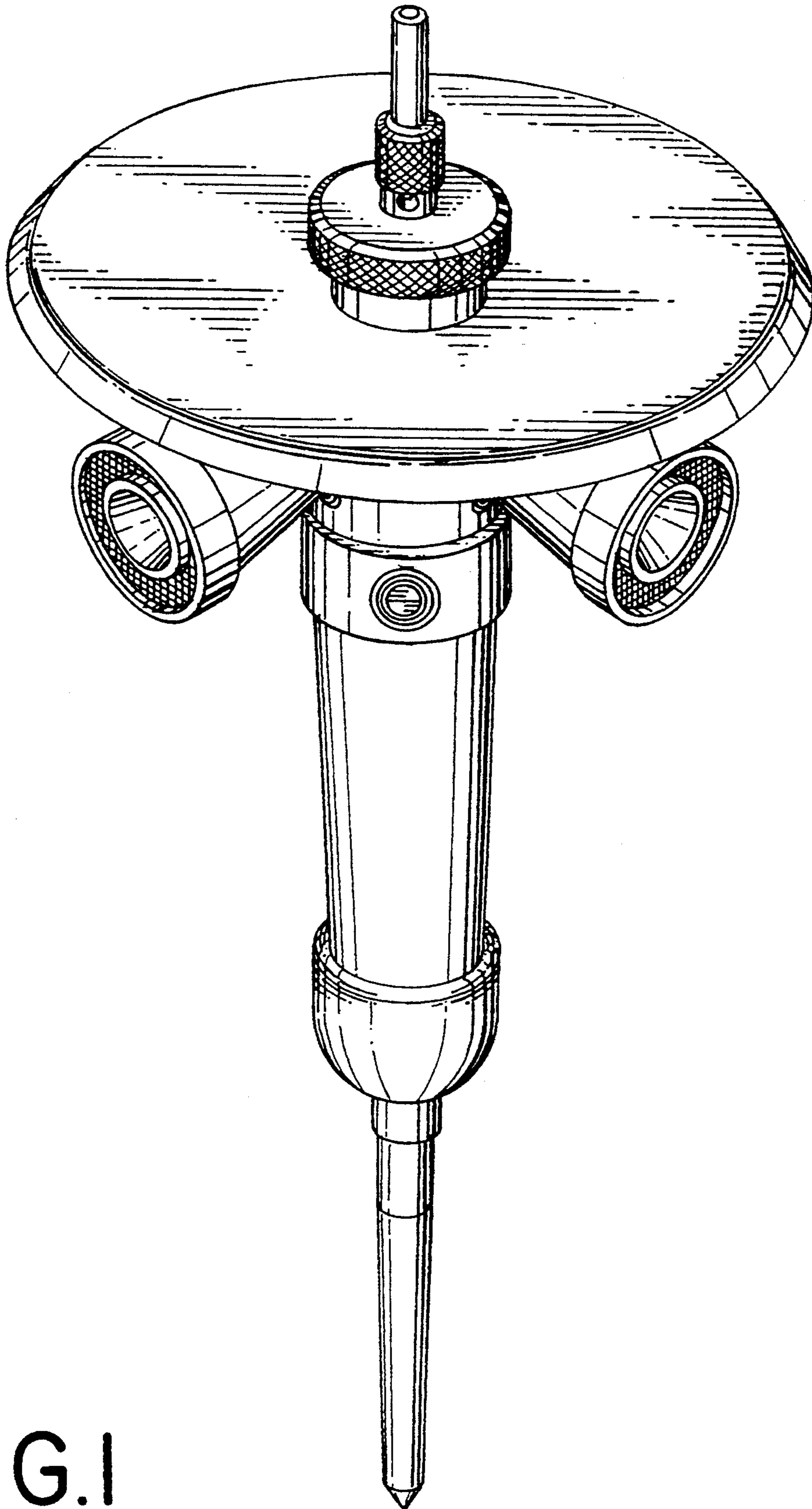


FIG. 1

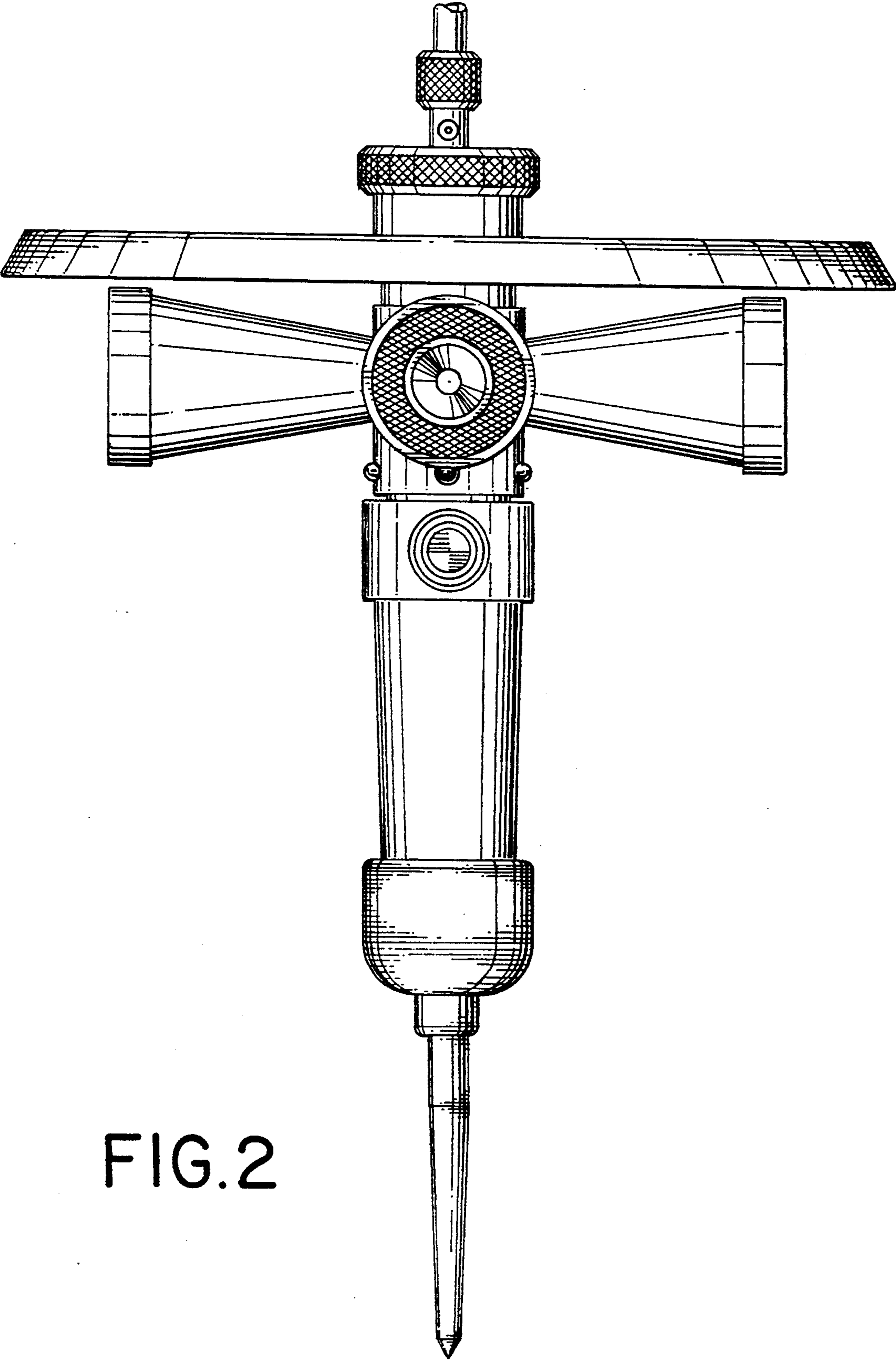
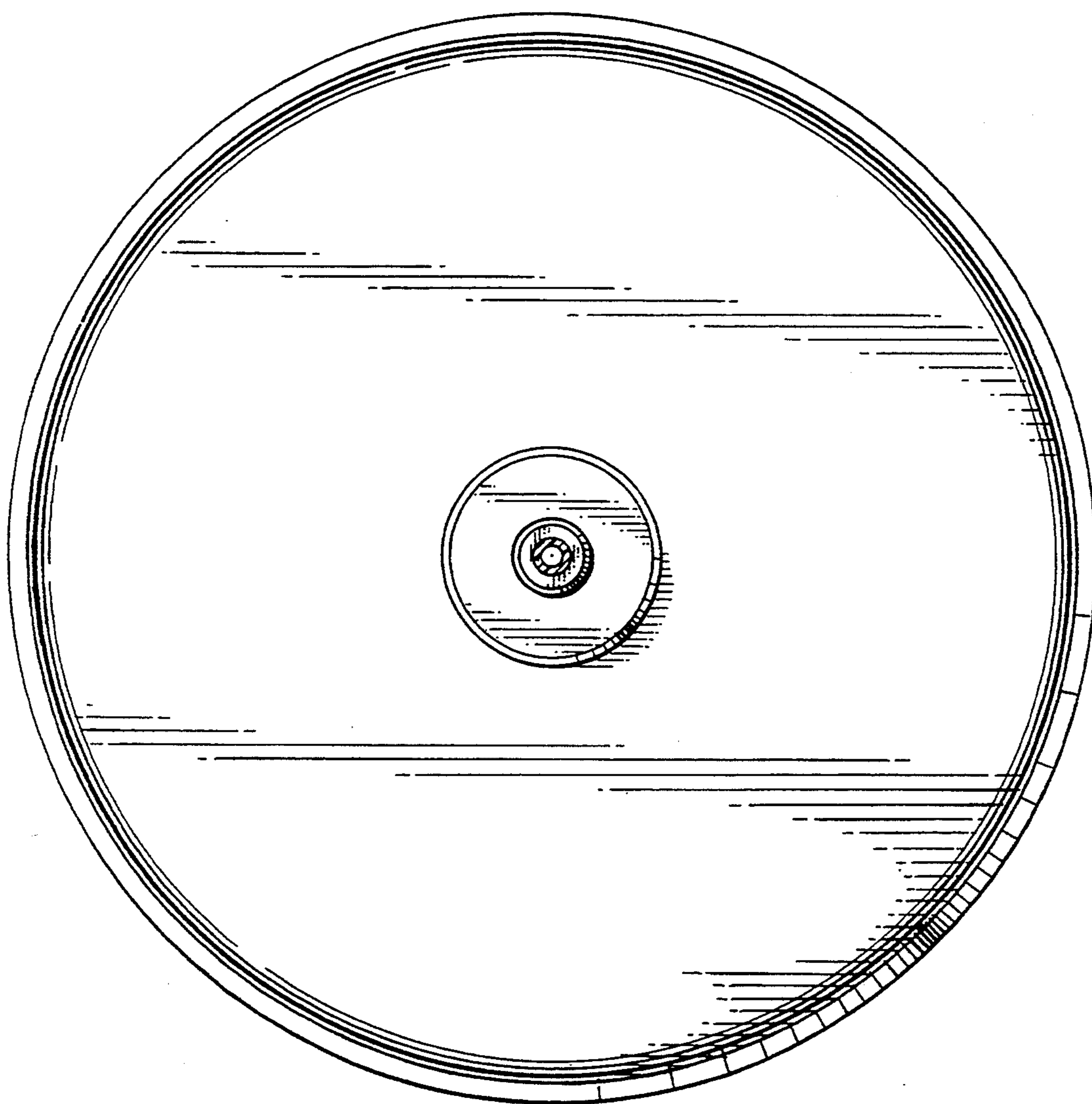


FIG.2

FIG. 3



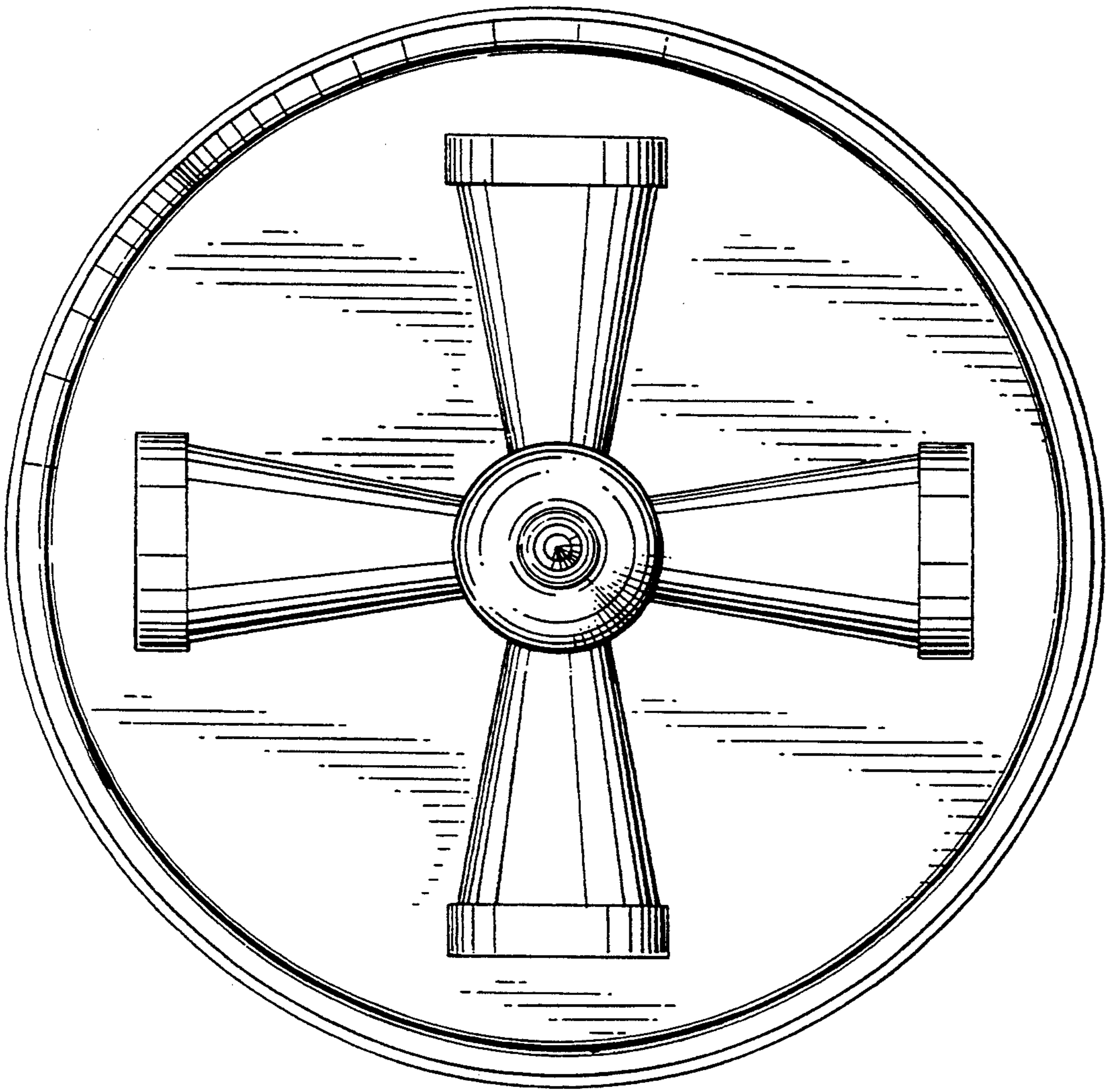


FIG. 4

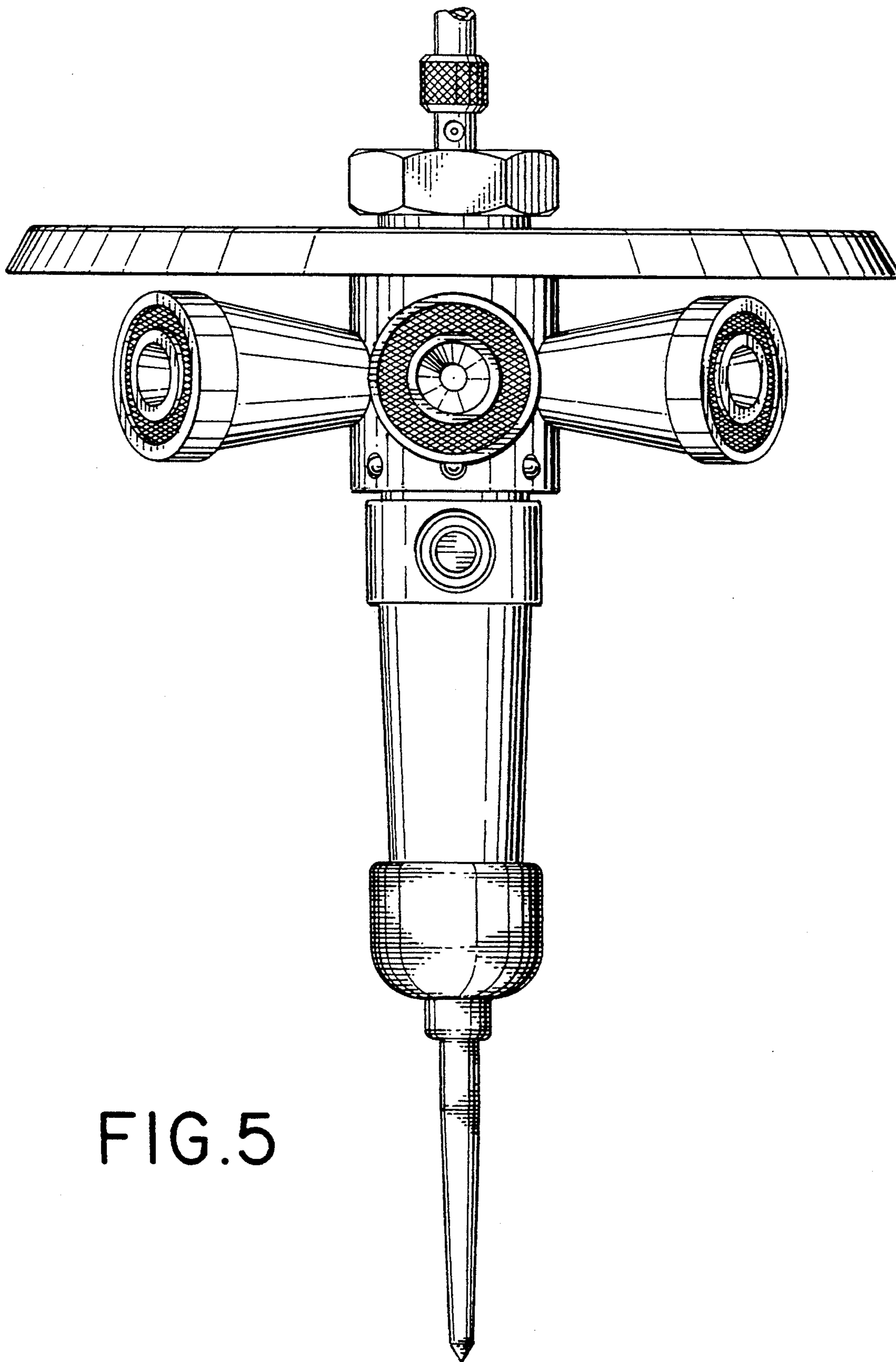


FIG. 5

FIG. 6

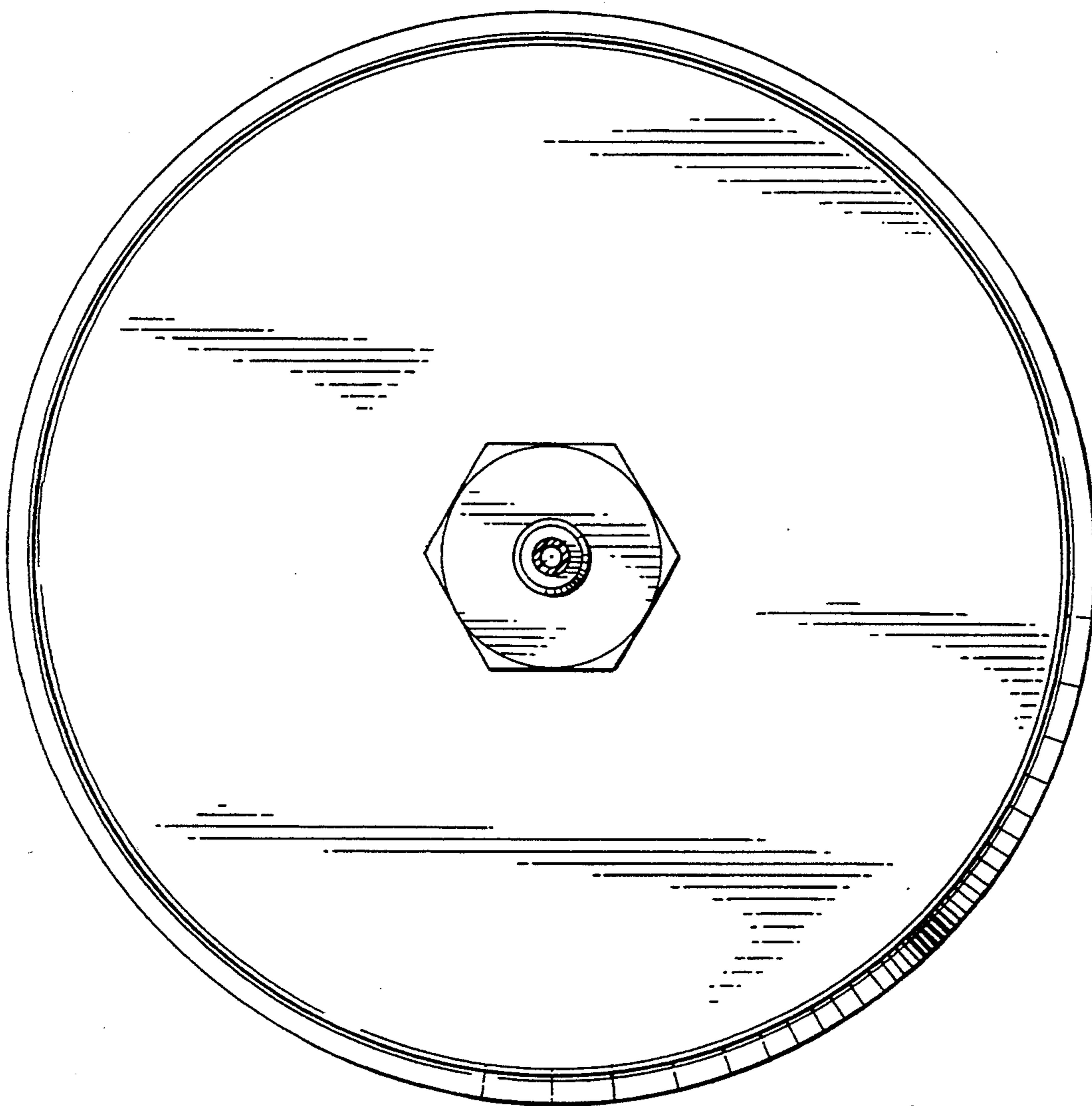


FIG. 7

