



US00D356848S

# United States Patent [19]

[11] Patent Number: **Des. 356,848**

Pinch et al.

[45] Date of Patent: **\*\* Mar. 28, 1995**

[54] CHILD SWING MOTOR HOUSING	4,181,299	1/1980	Foster .....	472/119
[75] Inventors: Daniel R. Pinch, Hope; Dennis M. Turner, Scipio, both of Ind.	4,323,233	4/1982	Gebhard .	
	4,448,410	5/1984	Kosoff .....	472/119
	4,452,445	6/1984	Saint .	
[73] Assignee: Cosco, Inc., Columbus, Ind.	4,589,657	5/1986	Saint .	
[**] Term: 14 Years	4,616,824	10/1986	Quinlan, Jr. et al. .	
	4,807,872	2/1989	Spilman et al. .	
[21] Appl. No.: 17,751	5,083,733	1/1992	Saint .	
[22] Filed: Jan. 21, 1994	5,139,462	8/1992	Gabe .	

### Related U.S. Application Data

- [62] Division of Ser. No. 941,933, Sep. 15, 1992, Pat. No. D. 345,777.
- [52] U.S. Cl. .... **D21/246; D6/344**
- [58] Field of Search ..... **D21/246-250, D21/244; 472/118-125, 137; D6/344-348**

### References Cited

#### U.S. PATENT DOCUMENTS

D. 264,148	5/1982	Gebhard .	
D. 298,187	10/1988	Lacewell .	
2,564,547	8/1951	Schrougham .....	472/119
2,975,866	3/1961	Worthington .	
3,071,339	1/1963	Saint .....	472/119 X
3,256,016	6/1966	Berlin .	
3,667,756	6/1972	Barrett .	
3,804,407	4/1974	Saint .....	472/119
4,165,872	8/1979	Saint .	

### OTHER PUBLICATIONS

Gym-Dandy Sesame Street Indoor/Outdoor Fun Center® No. 752, Best Products Buyer Book No. 117, 1974, p. 372, Items A through C.

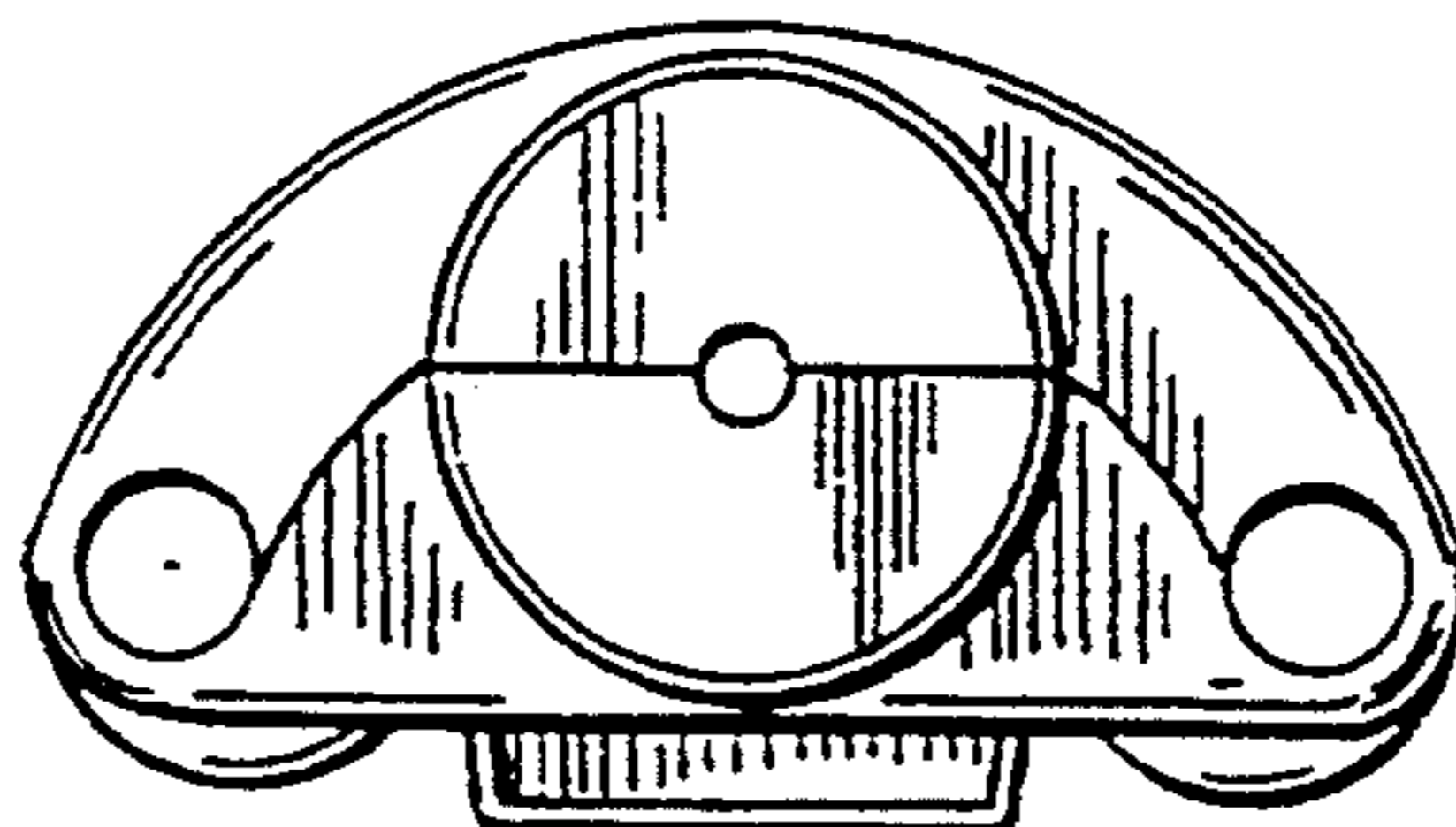
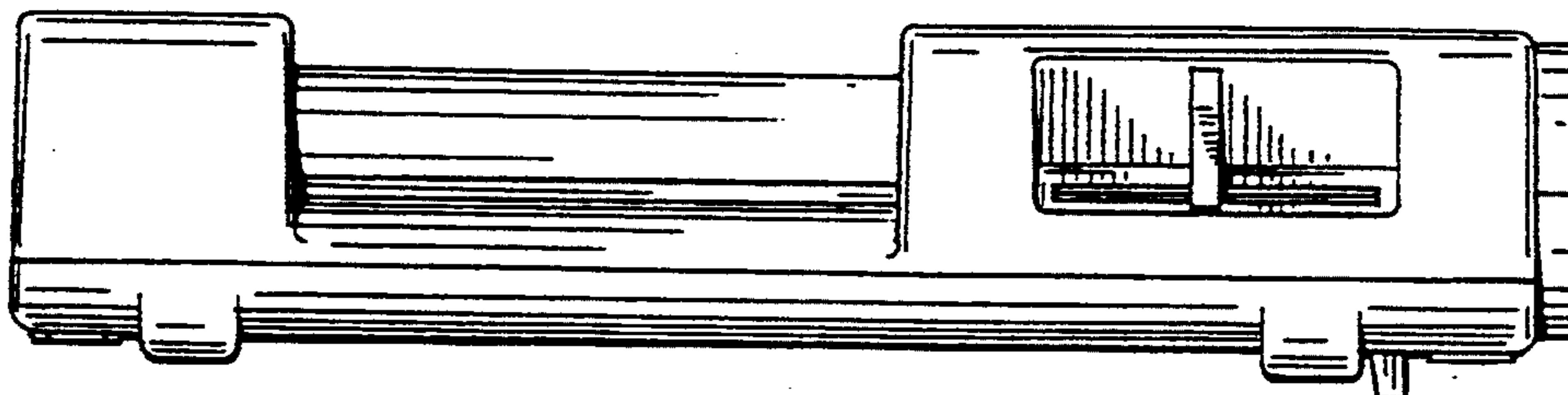
Primary Examiner—Prabhakar G. Deshmukh  
Attorney, Agent, or Firm—Barnes & Thornburg

### [57] CLAIM

The ornamental design for a child swing motor housing, as shown and described.

### DESCRIPTION

FIG. 1 is a front elevational view of the child swing motor housing showing our new design; FIG. 2 is a rear elevational view thereof; FIG. 3 is a left-side elevational view thereof; FIG. 4 is a right-side elevational view thereof; FIG. 5 is a bottom plan view thereof; and, FIG. 6 is a top plan view thereof.



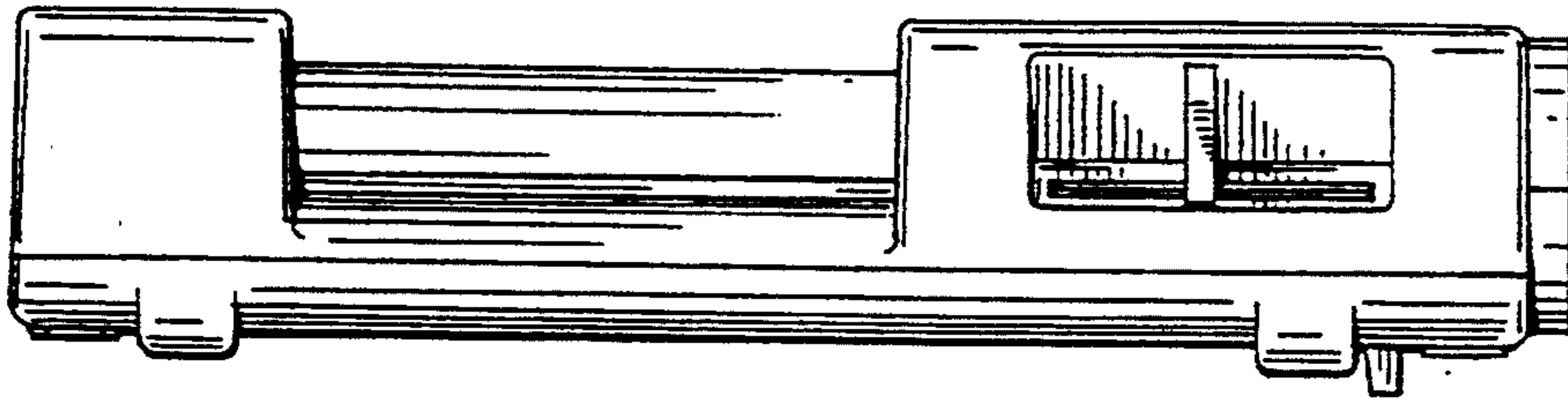


FIG. 1

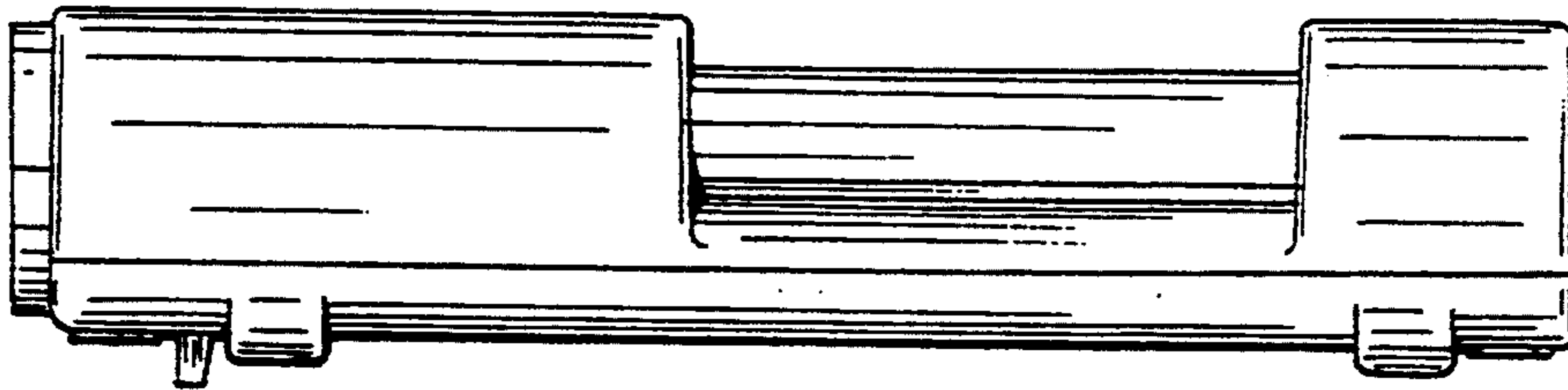


FIG. 2

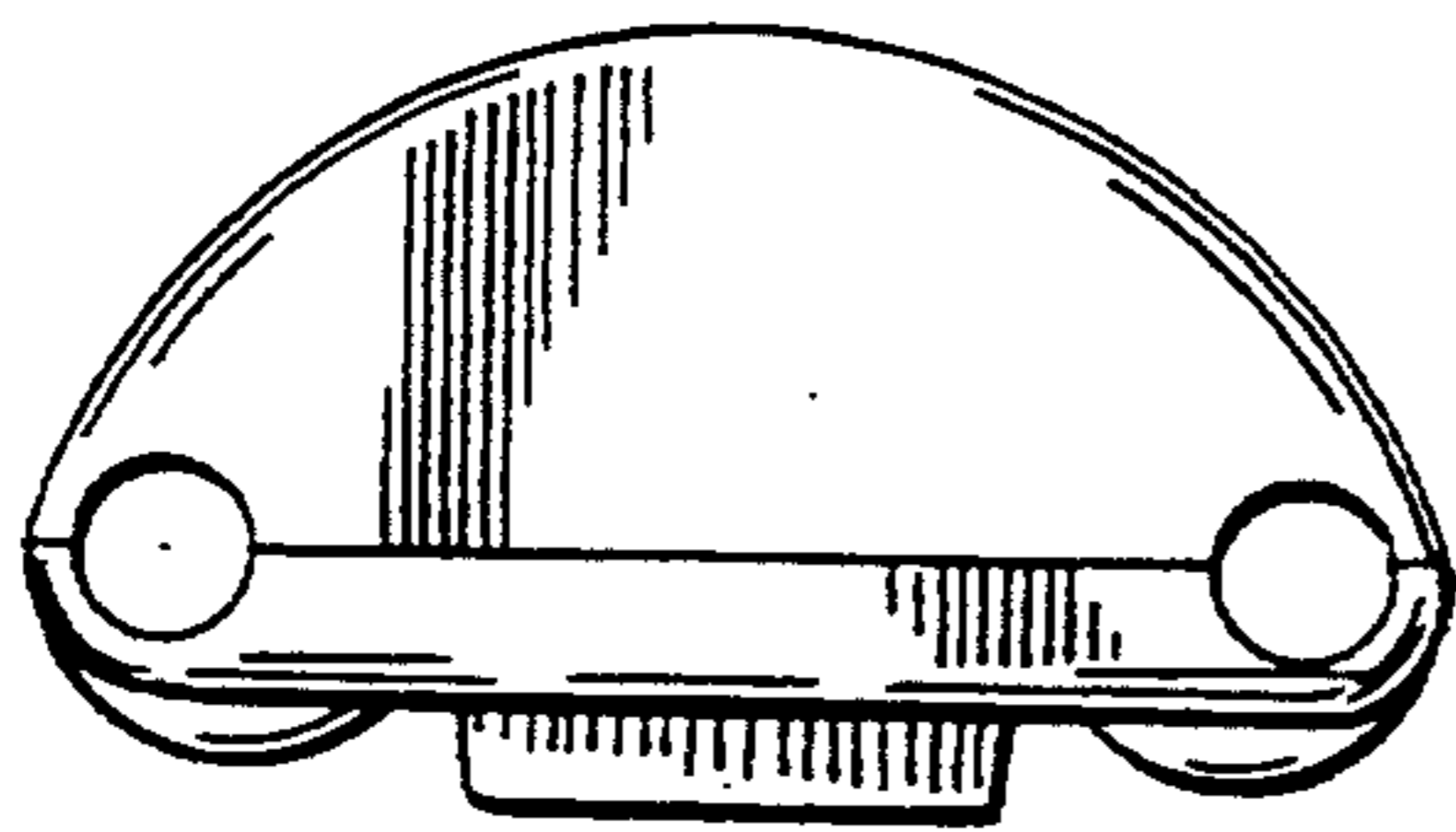


FIG. 3

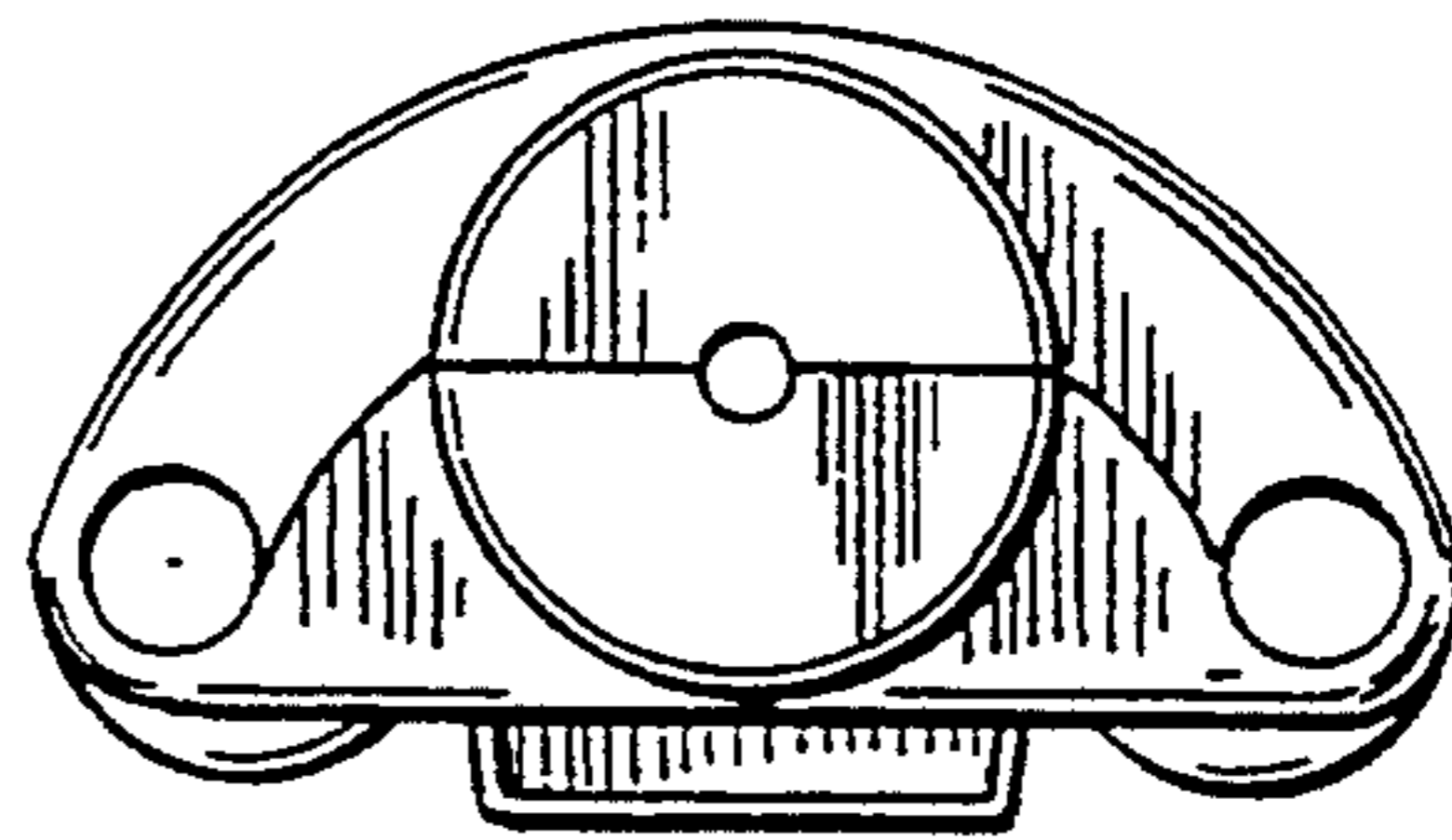


FIG. 4

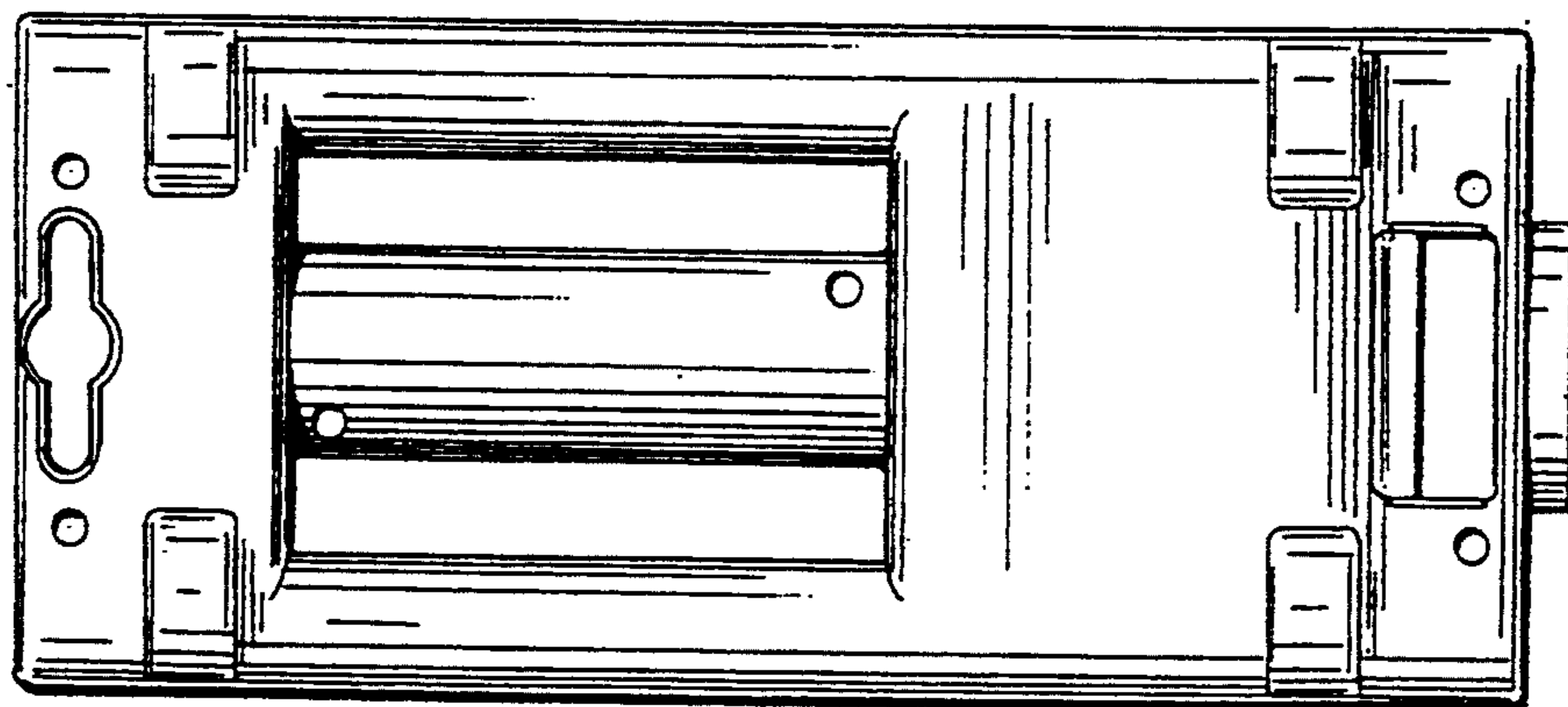
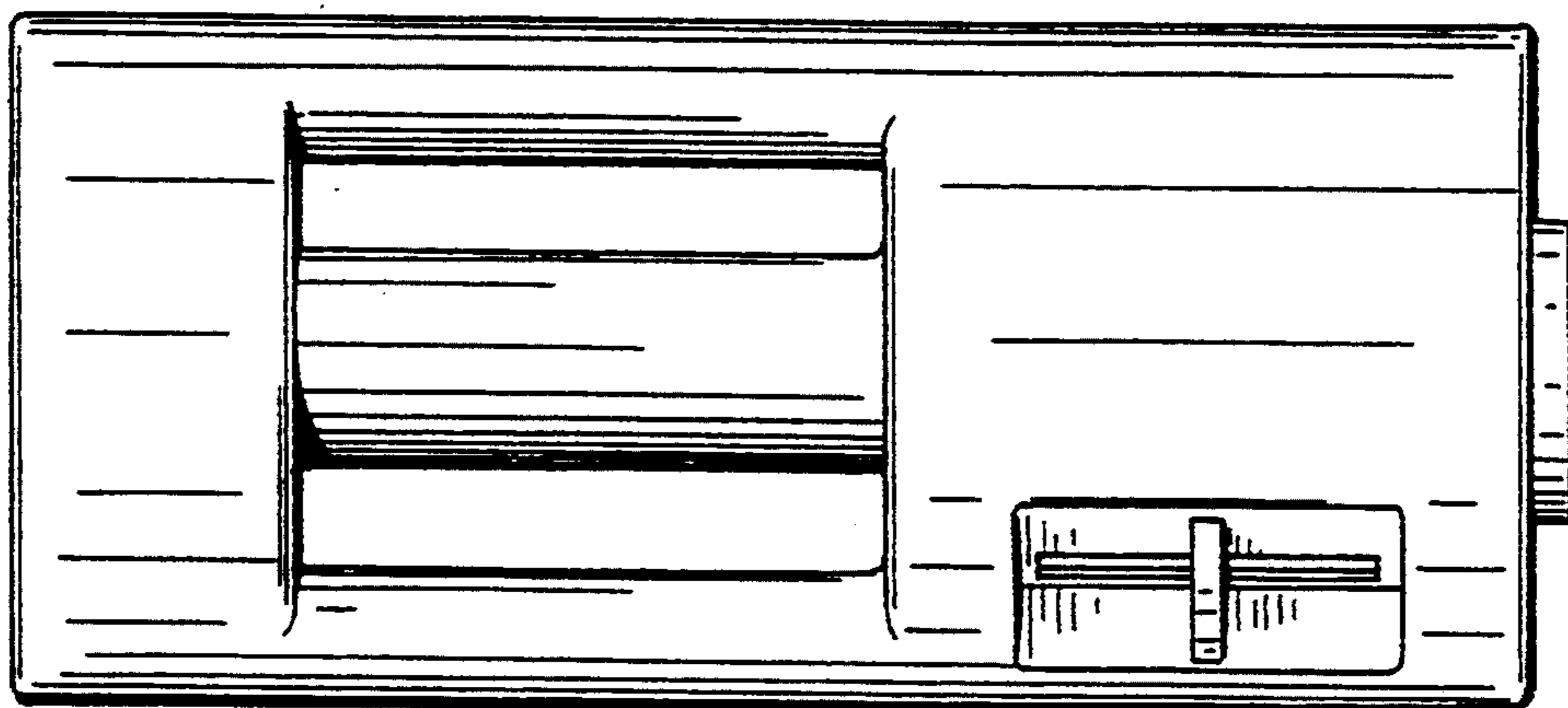


FIG. 5



*FIG. 6*