



US00D356847S

United States Patent [19]

[11] Patent Number: **Des. 356,847**

Woodruff

[45] Date of Patent: **** Mar. 28, 1995**

[54] GOLF PUTTER HEAD

[75] Inventor: **Dwayne K. Woodruff**, Grand Prairie, Tex.

[73] Assignee: **K J Manufacturing, Inc.**, Duncanville, Tex.

[**] Term: **14 Years**

[21] Appl. No.: **10,468**

[22] Filed: **Jul. 8, 1993**

[52] U.S. Cl. **D21/219**

[58] Field of Search **D21/217-219; 273/164.1, 167-175**

OTHER PUBLICATIONS

Golf World, Jun. 27, 1972, p. 19, bottom left, KLIK putter head.

Golf World, Aug. 1, 1986, p. 13, bottom, Pinnacle Tri-Line putter head.

Primary Examiner—Melvin B. Feifer

Assistant Examiner—Mitchell I. Siegel

Attorney, Agent, or Firm—Ross, Howison, Clapp & Korn

[57] CLAIM

The ornamental design for a golf putter head, as shown and described.

DESCRIPTION

FIG. 1 is a perspective view of a golf putter head showing my new design;

FIG. 2 is a top plan view thereof;

FIG. 3 is a left side elevational view thereof;

FIG. 4 is a rear elevational view thereof;

FIG. 5 is a right side elevation view thereof;

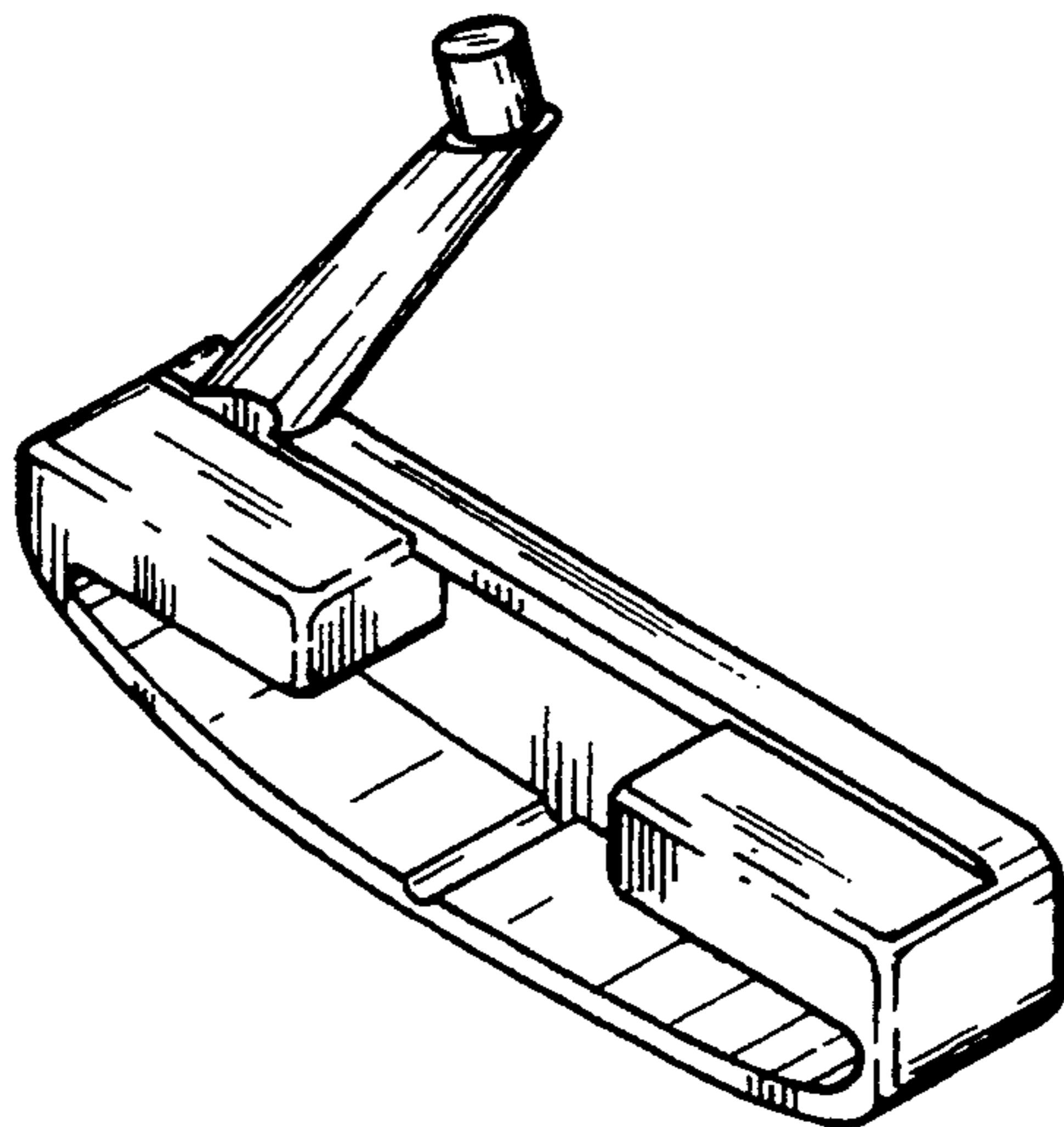
FIG. 6 is a front elevational view thereof; and,

FIG. 7 is a bottom plan view thereof.

[56] References Cited

U.S. PATENT DOCUMENTS

D. 202,715	11/1965	Solheim	D34/5
D. 235,893	7/1975	Becker	D21/217
D. 310,115	8/1990	Linuma	D21/217
D. 326,131	5/1992	Antonious	D21/217
2,503,506	4/1950	Miller	D21/219 X
3,923,308	12/1975	Mills	273/167.6 X



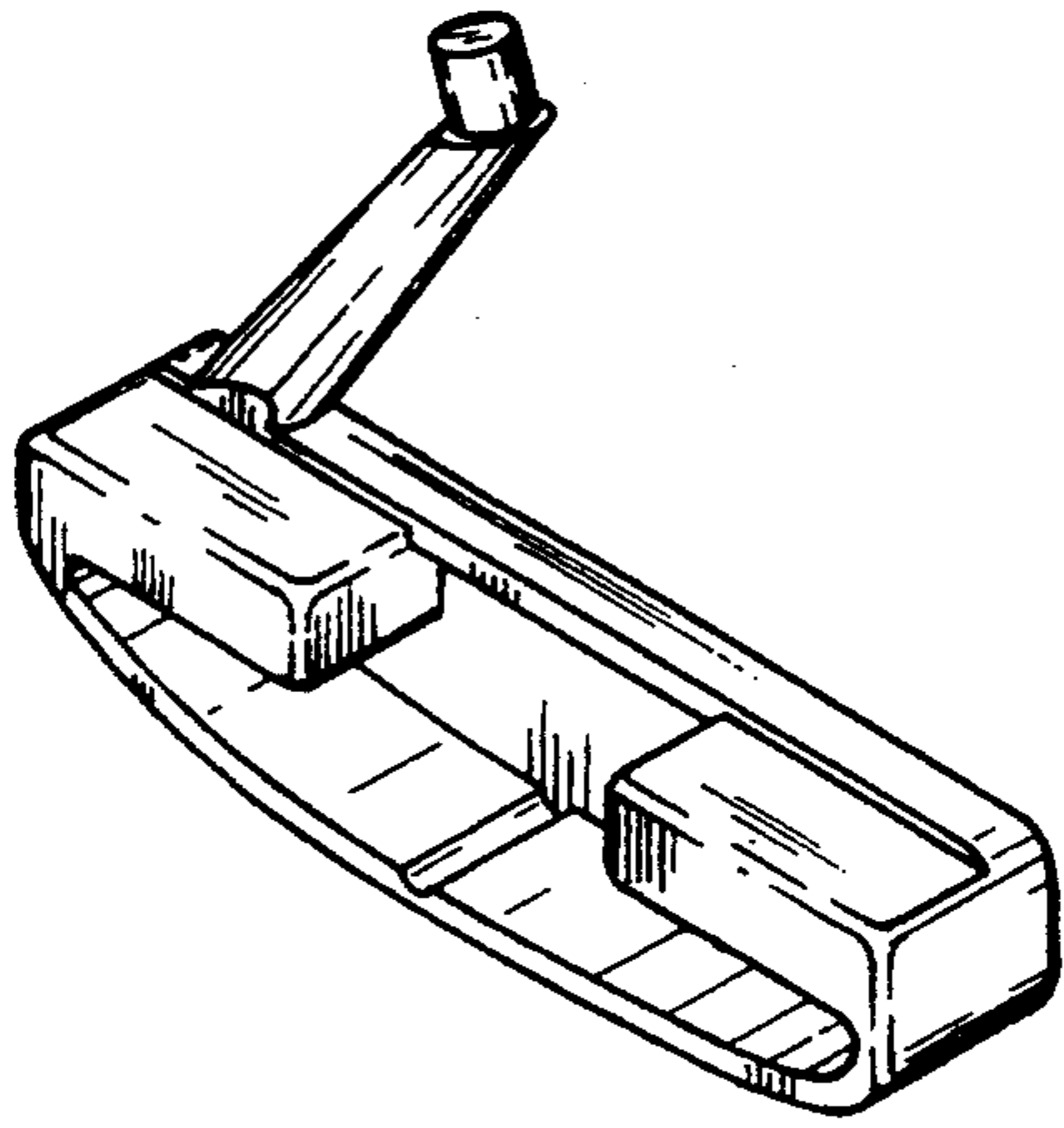


FIG. 1

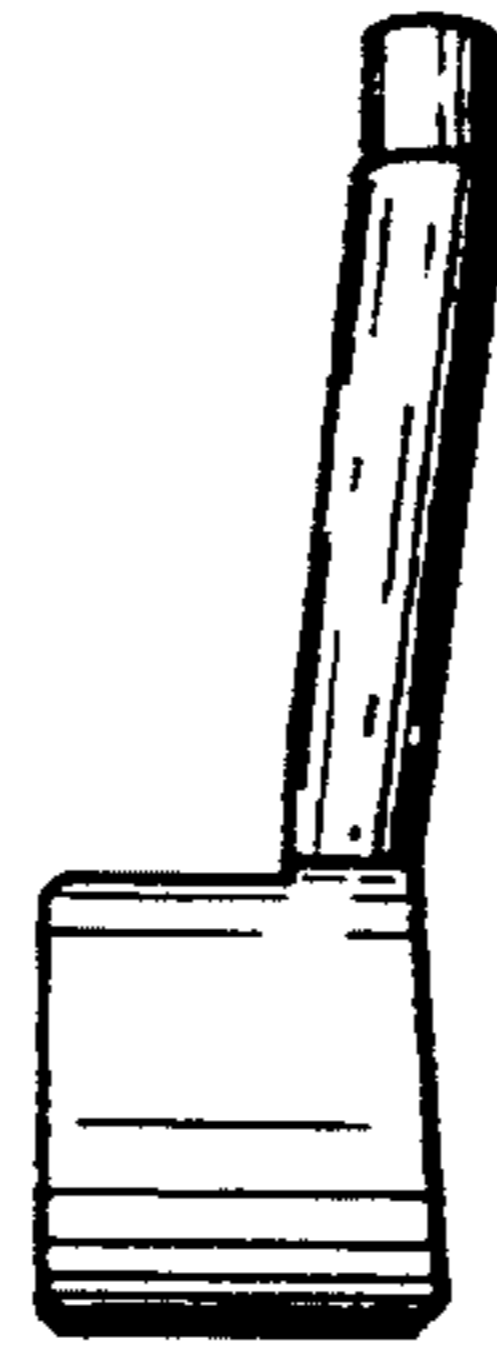


FIG. 5

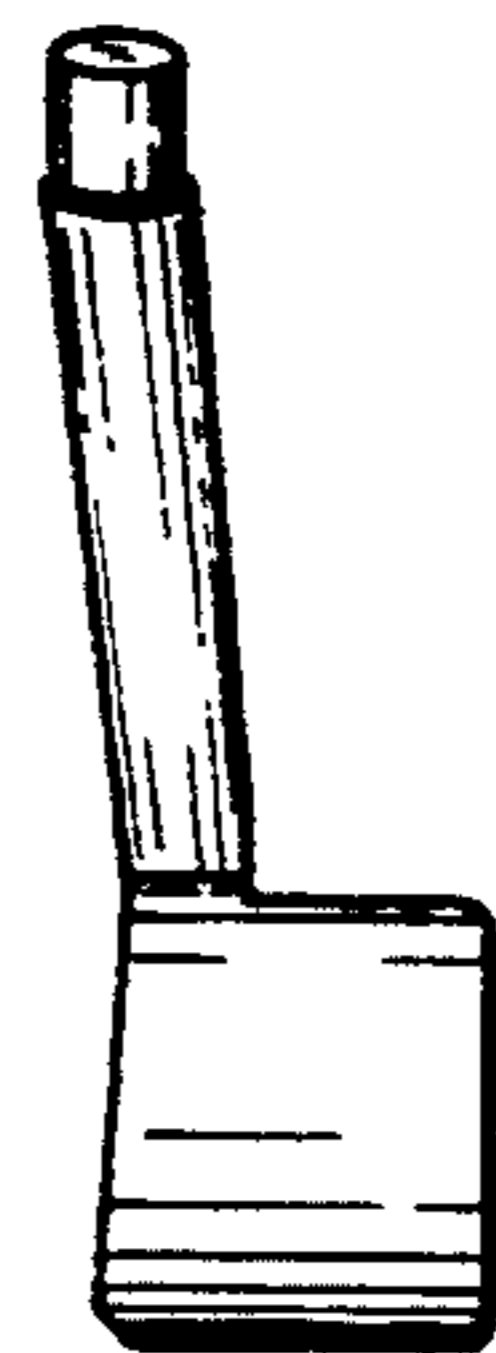


FIG. 3

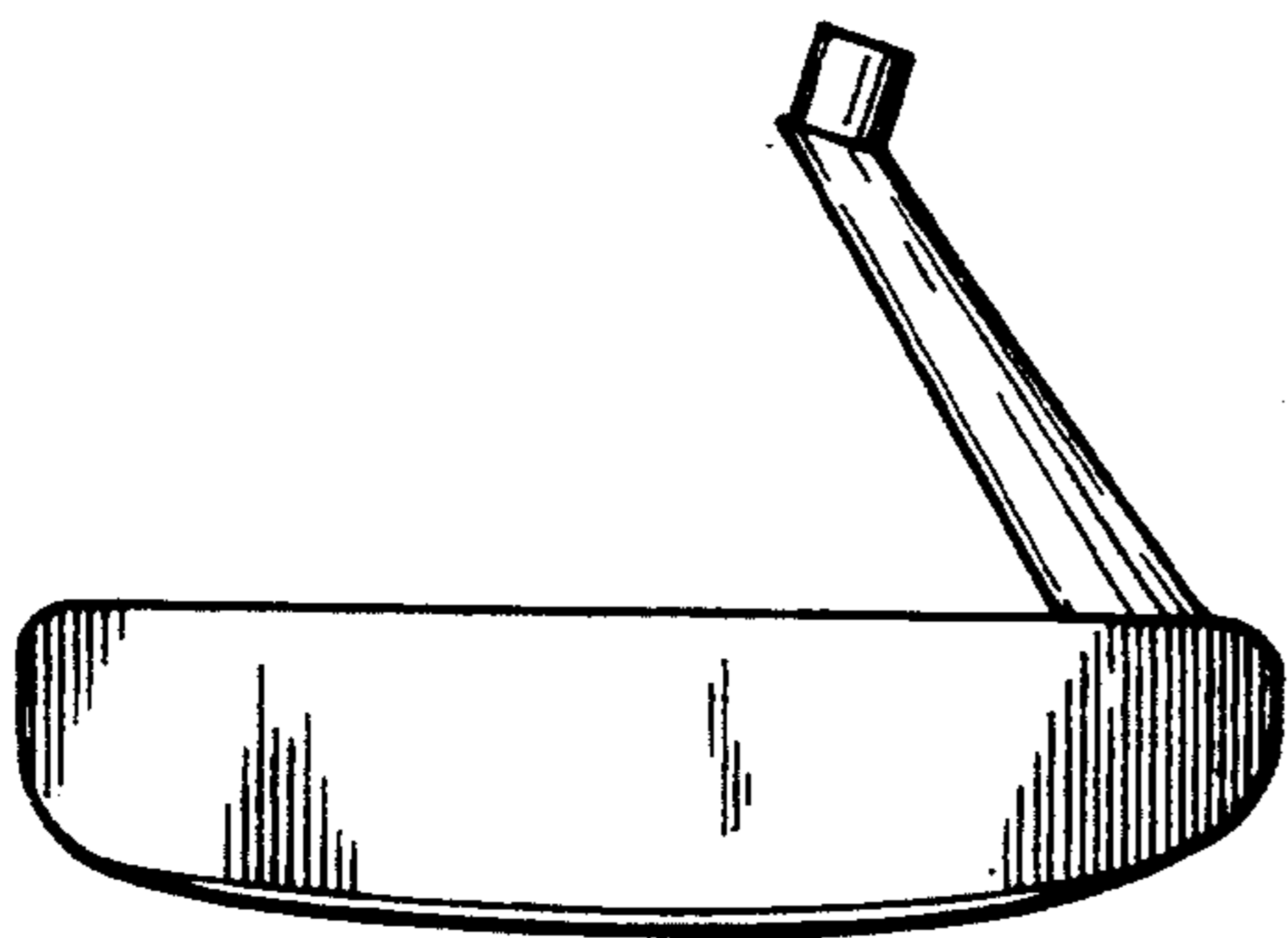


FIG. 4

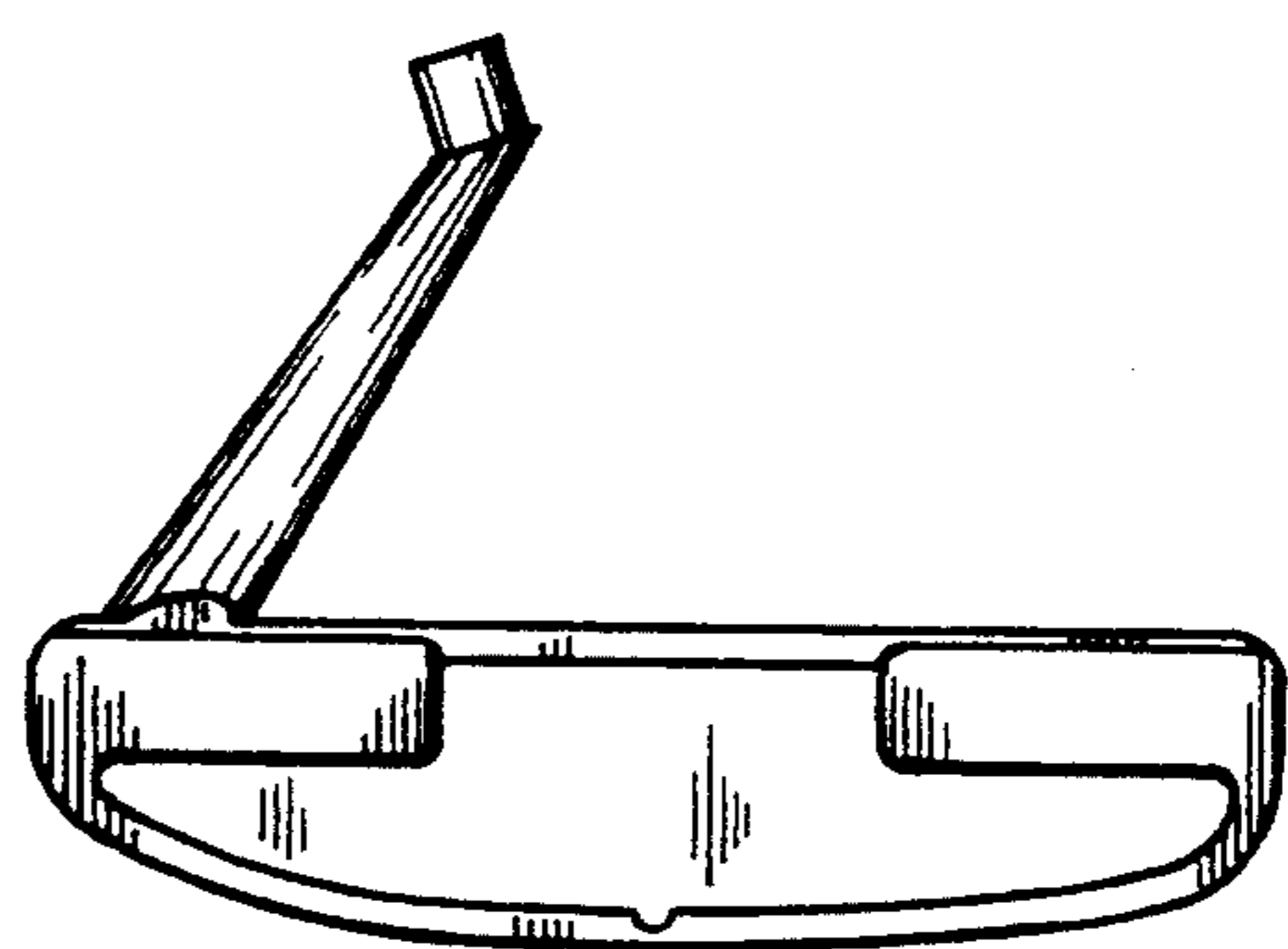


FIG. 6

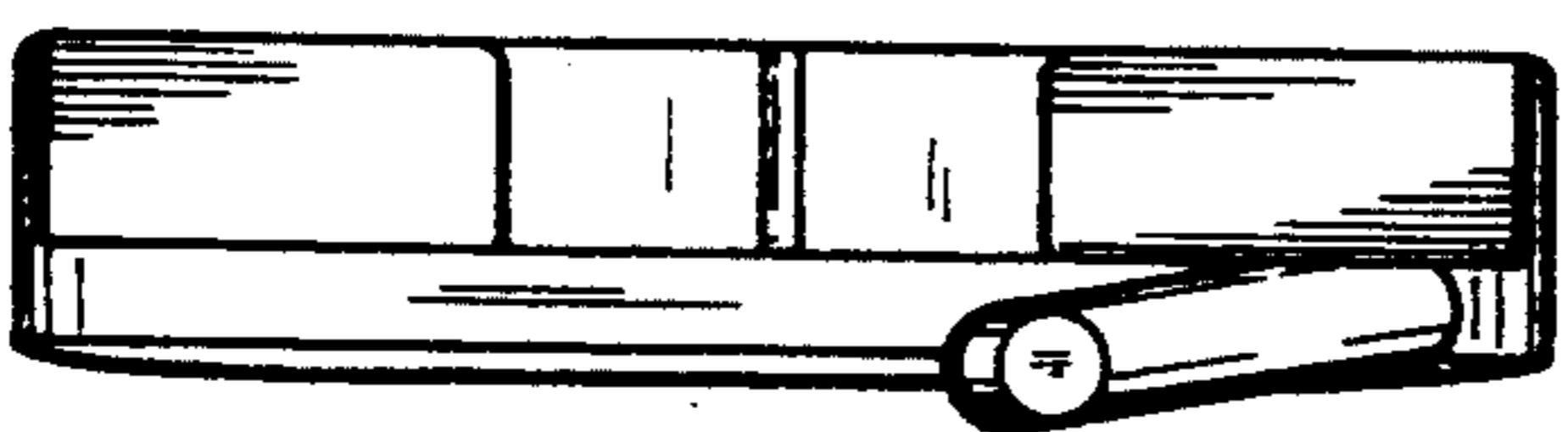


FIG. 2

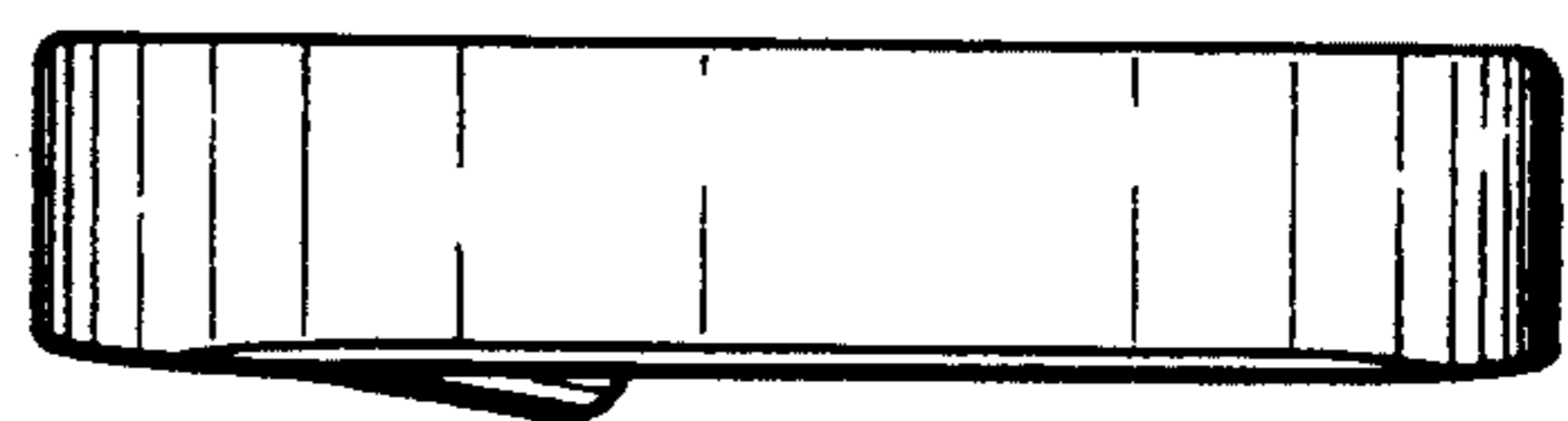


FIG. 7