



US00D356842S

United States Patent [19] Trapp

[11] Patent Number: **Des. 356,842**
[45] Date of Patent: **** Mar. 28, 1995**

[54] **BALL PITCHING MACHINE**
[75] Inventor: **Todd R. Trapp**, Carson City, Nev.
[73] Assignee: **Athletic Training Equipment Company**, Sparks, Nev.
[**] Term: **14 Years**
[21] Appl. No.: **17,034**
[22] Filed: **Jan. 4, 1994**
[52] U.S. Cl. **D21/210**
[58] Field of Search **D21/210, 199, 2; 273/26 D, 26 R; 124/41.1, 49, 55, 56, 60, 79**

4,676,504 6/1987 Ponza 273/26 D
5,046,476 9/1991 Nozato 273/26 D X
5,097,985 3/1992 Jones 124/49 X

Primary Examiner—Theodore M. Shooman
Assistant Examiner—Cheri Cohen
Attorney, Agent, or Firm—Flehr Hohbach Test Albritton & Herbert

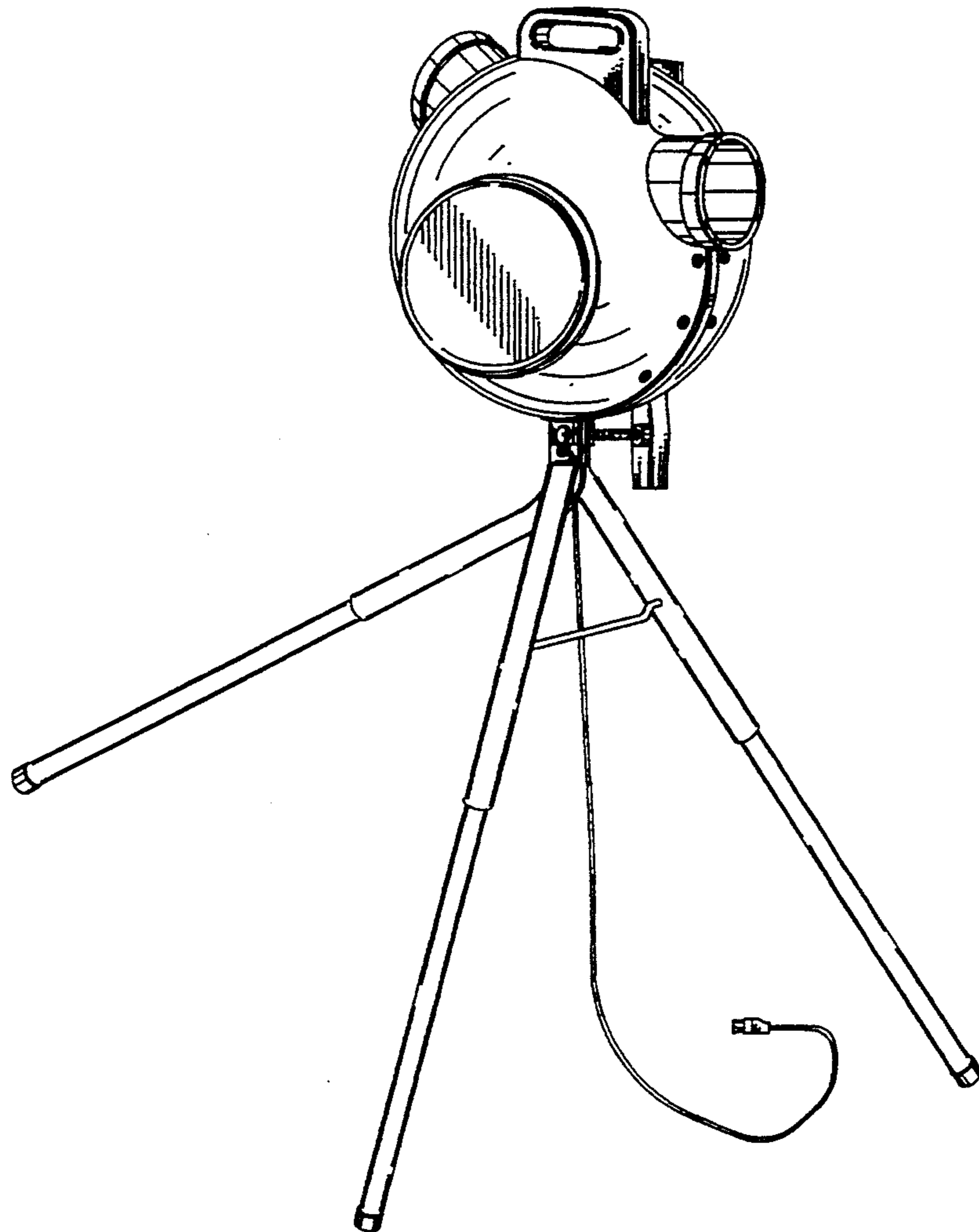
[57] CLAIM

The ornamental design for a ball pitching machine, as shown and described.

DESCRIPTION

FIG. 1 is a perspective view of the ball pitching machine showing my new design;
FIG. 2 is a front elevational view thereof;
FIG. 3 is a rear elevational view thereof;
FIG. 4 is a right side elevational view thereof;
FIG. 5 is a left side elevational view thereof;
FIG. 6 is a top plan view thereof; and,
FIG. 7 is a bottom plan view thereof.

[56] **References Cited**
U.S. PATENT DOCUMENTS
D. 212,769 11/1968 Samuels D21/210
D. 235,153 5/1975 Conde D21/210
D. 312,288 11/1990 Jefferson D21/210
2,955,823 10/1960 Chanko 273/26 D
3,930,486 1/1976 Kahelin 124/49 X



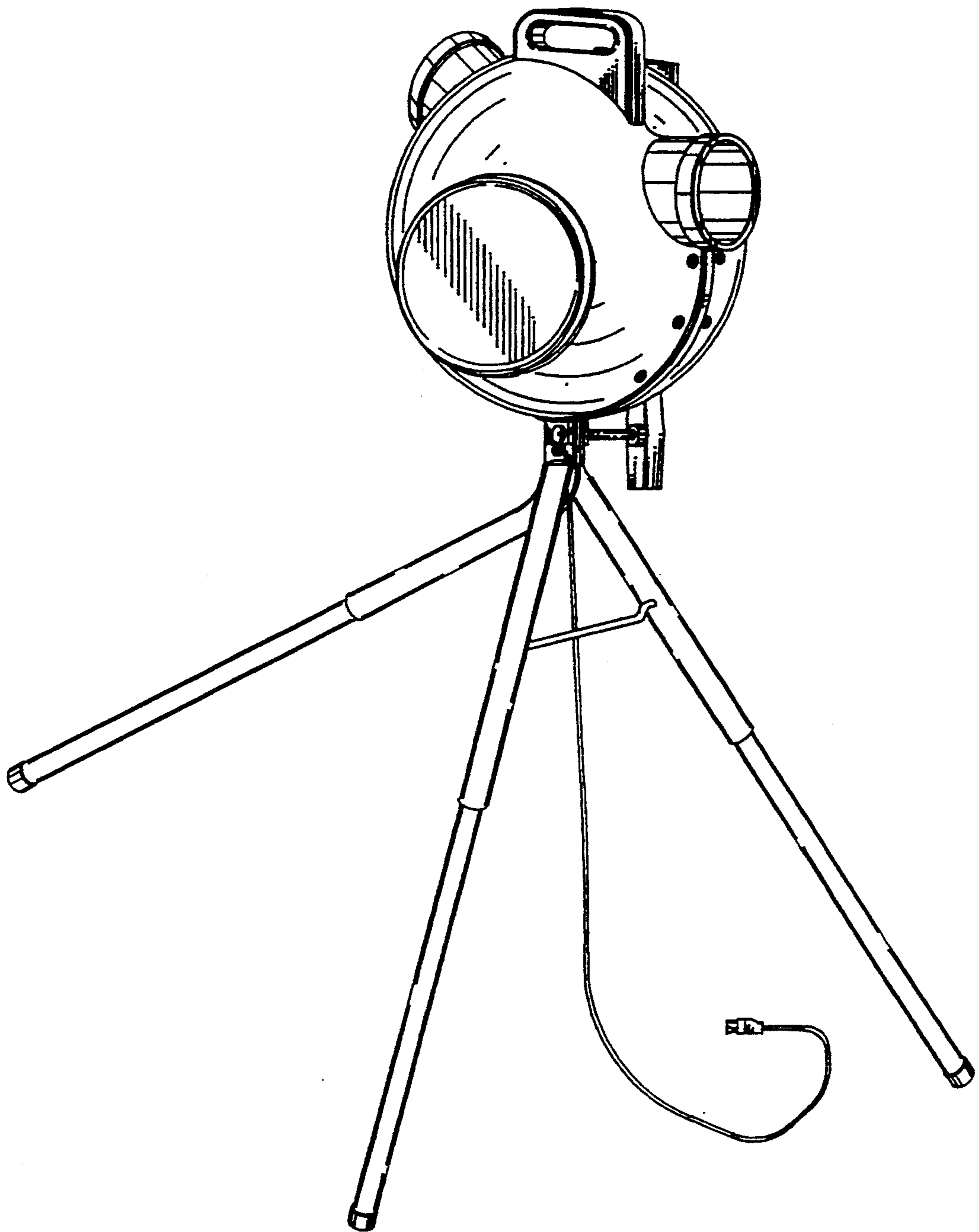


FIG. - 1

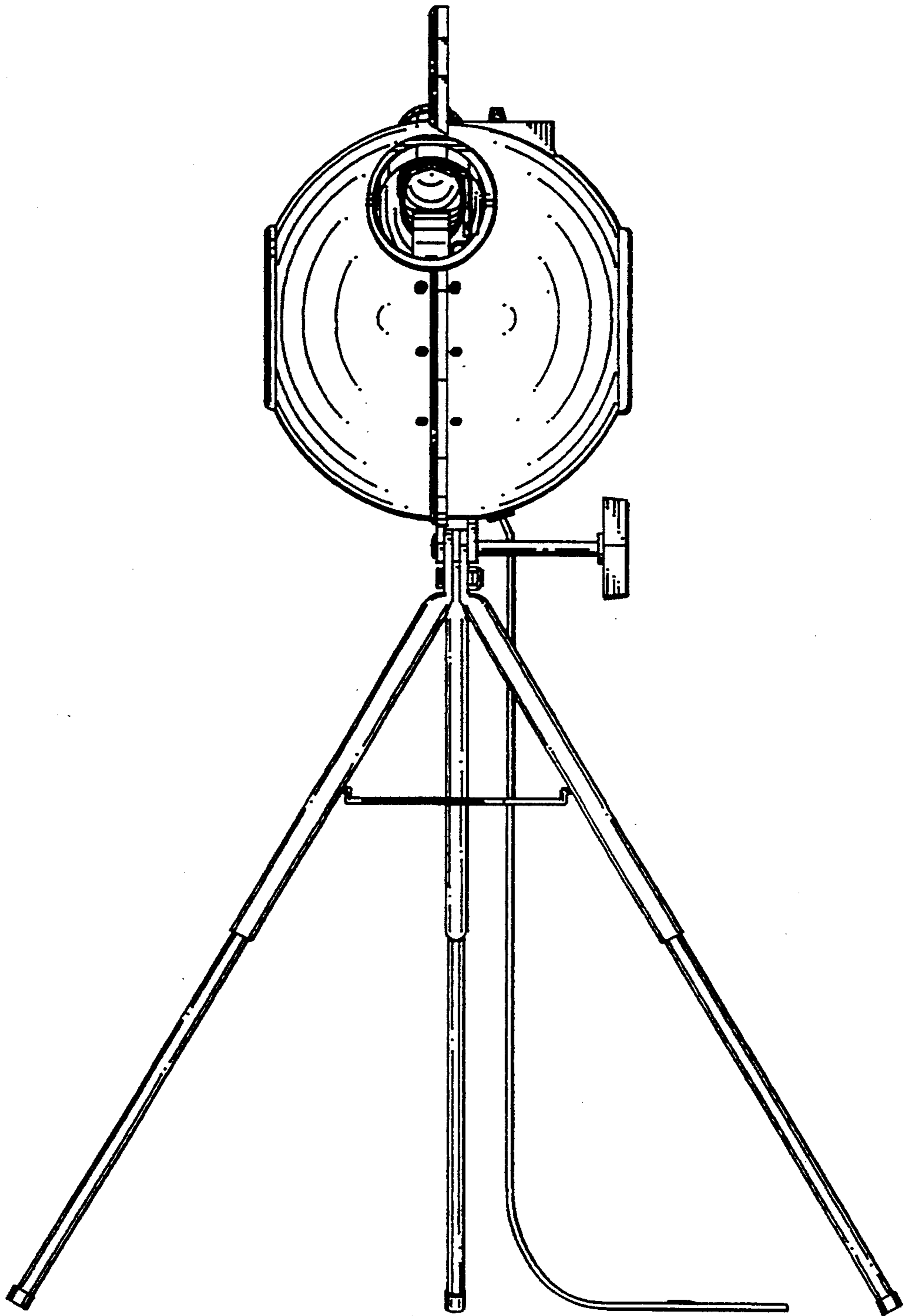


FIG. -2

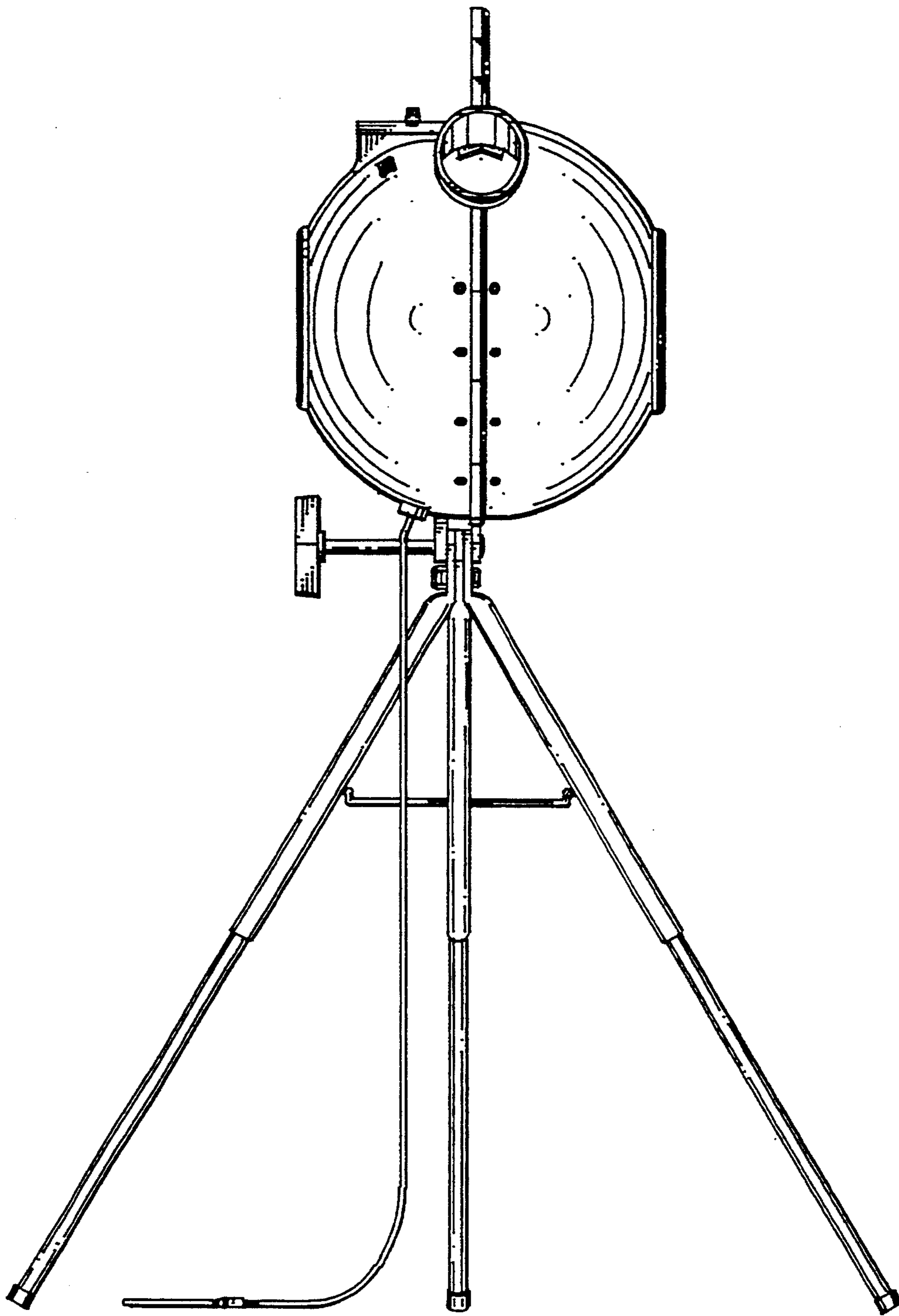


FIG. - 3

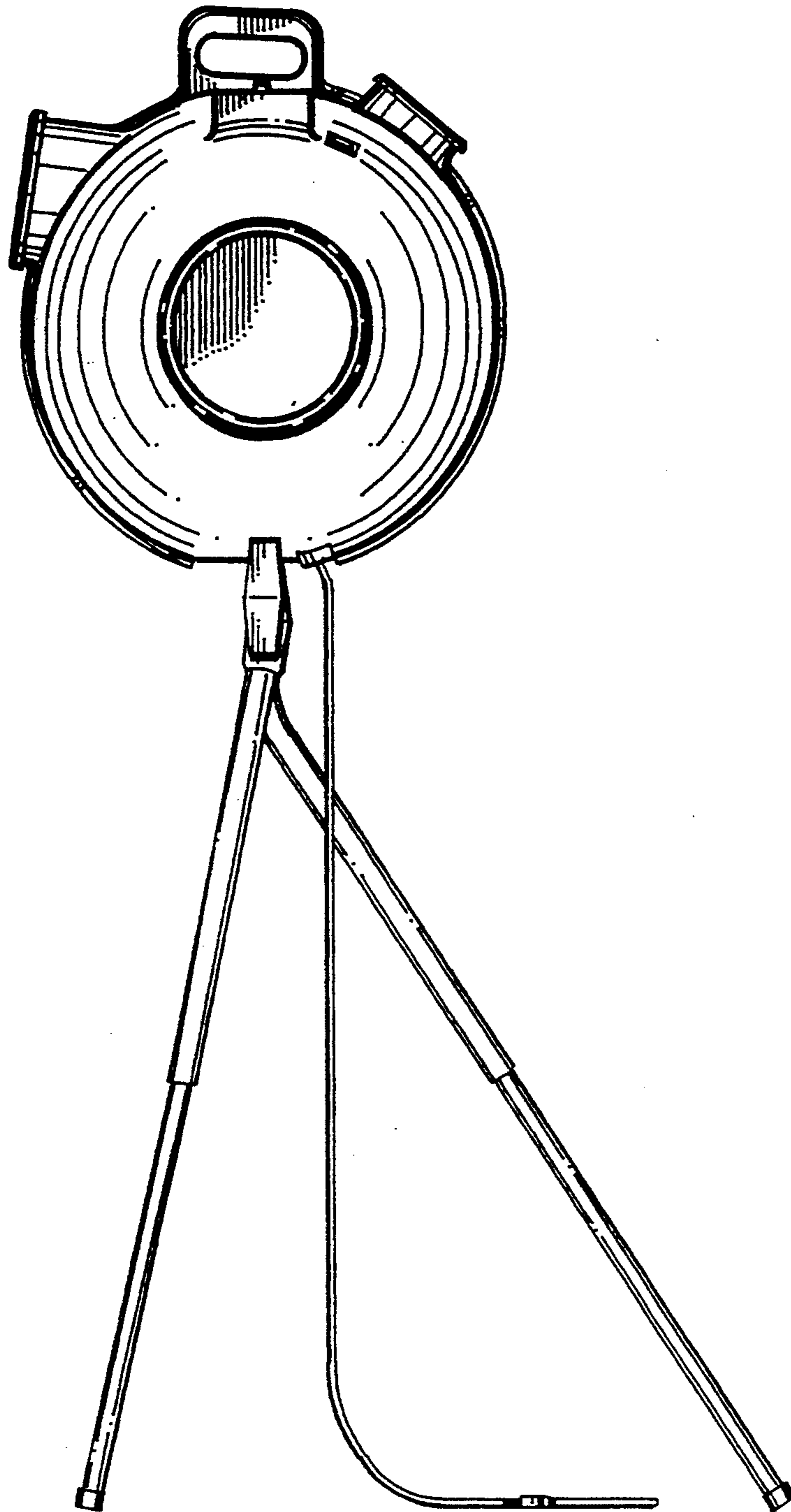


FIG. - 4

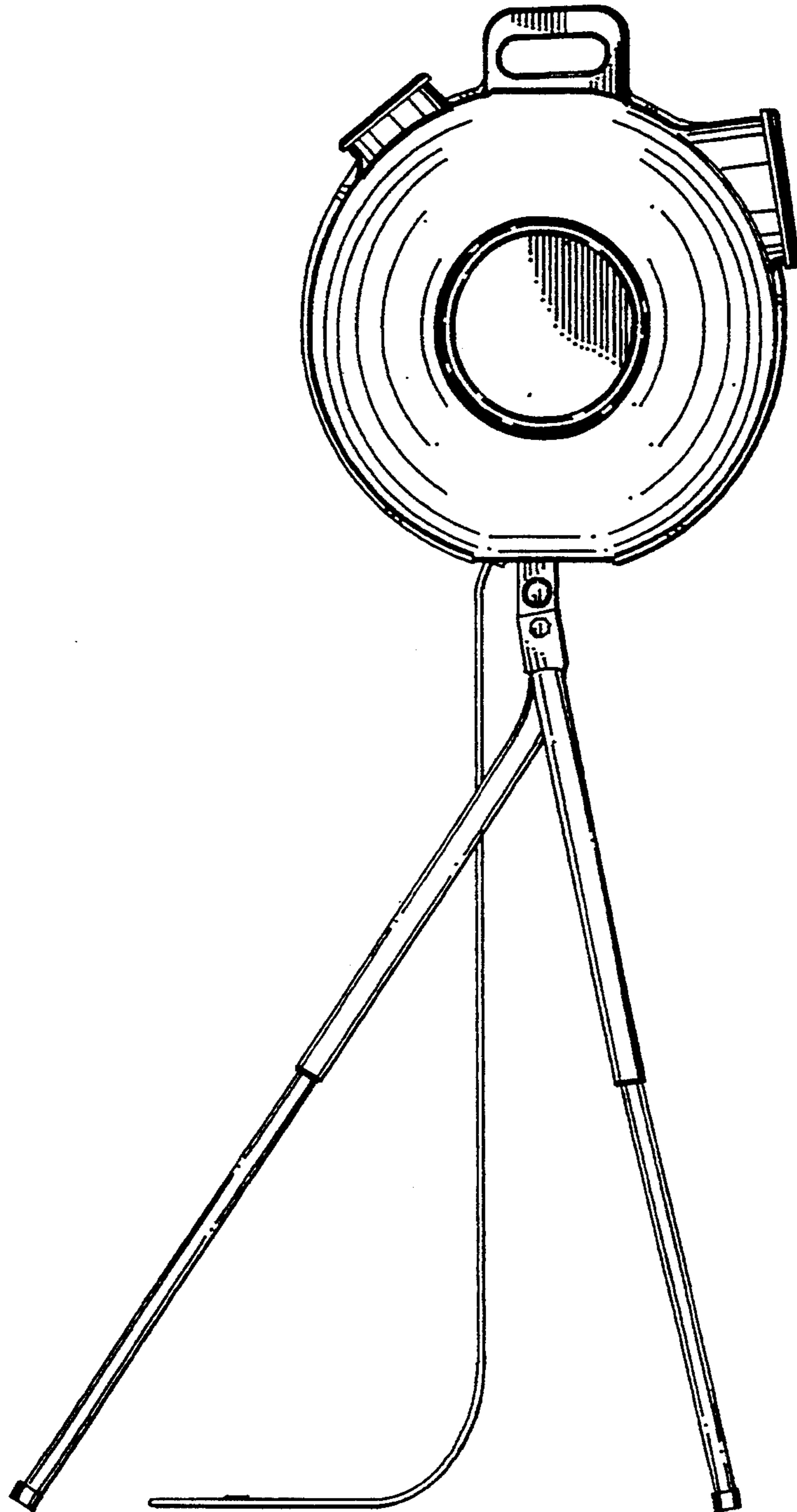


FIG. - 5

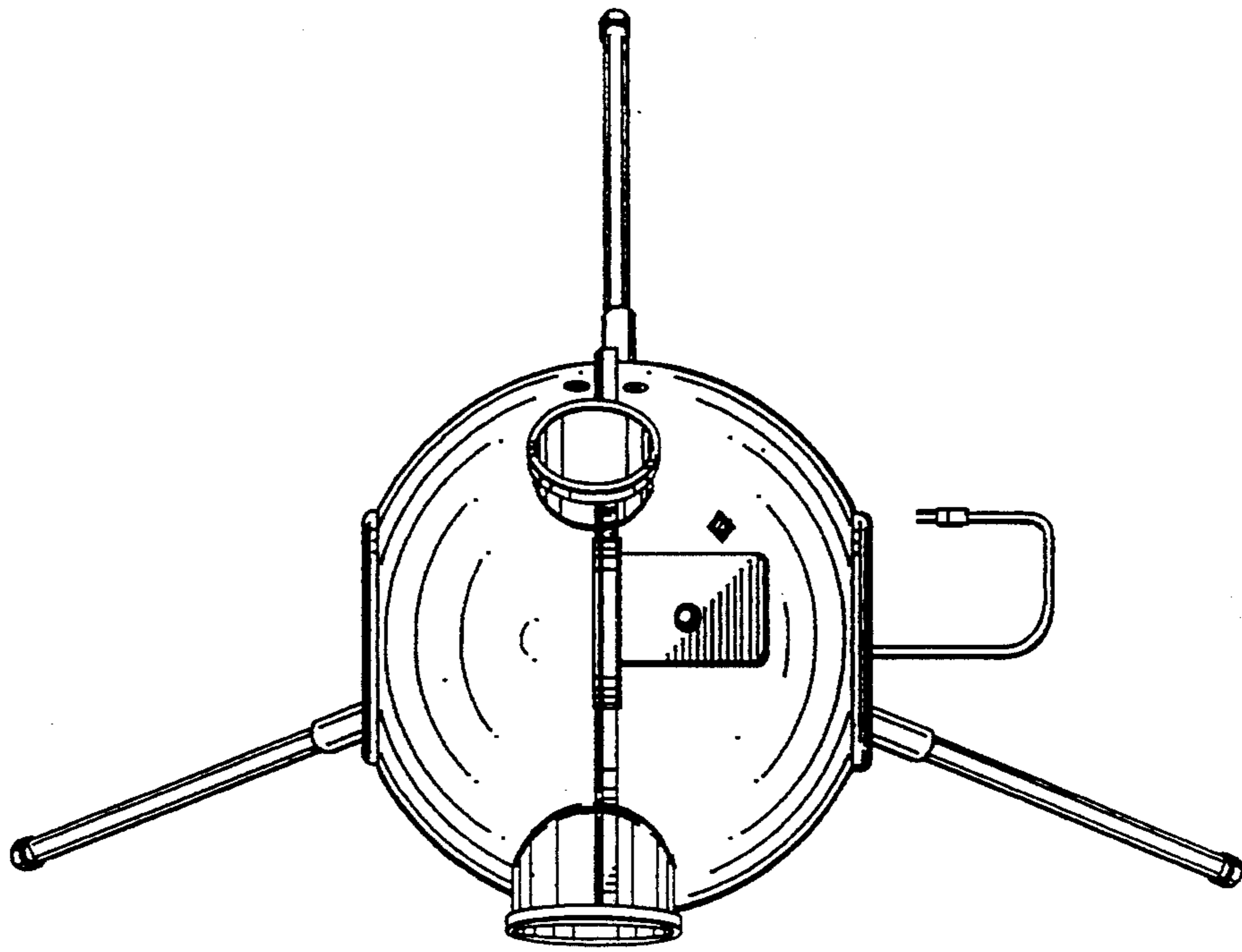


FIG. - 6

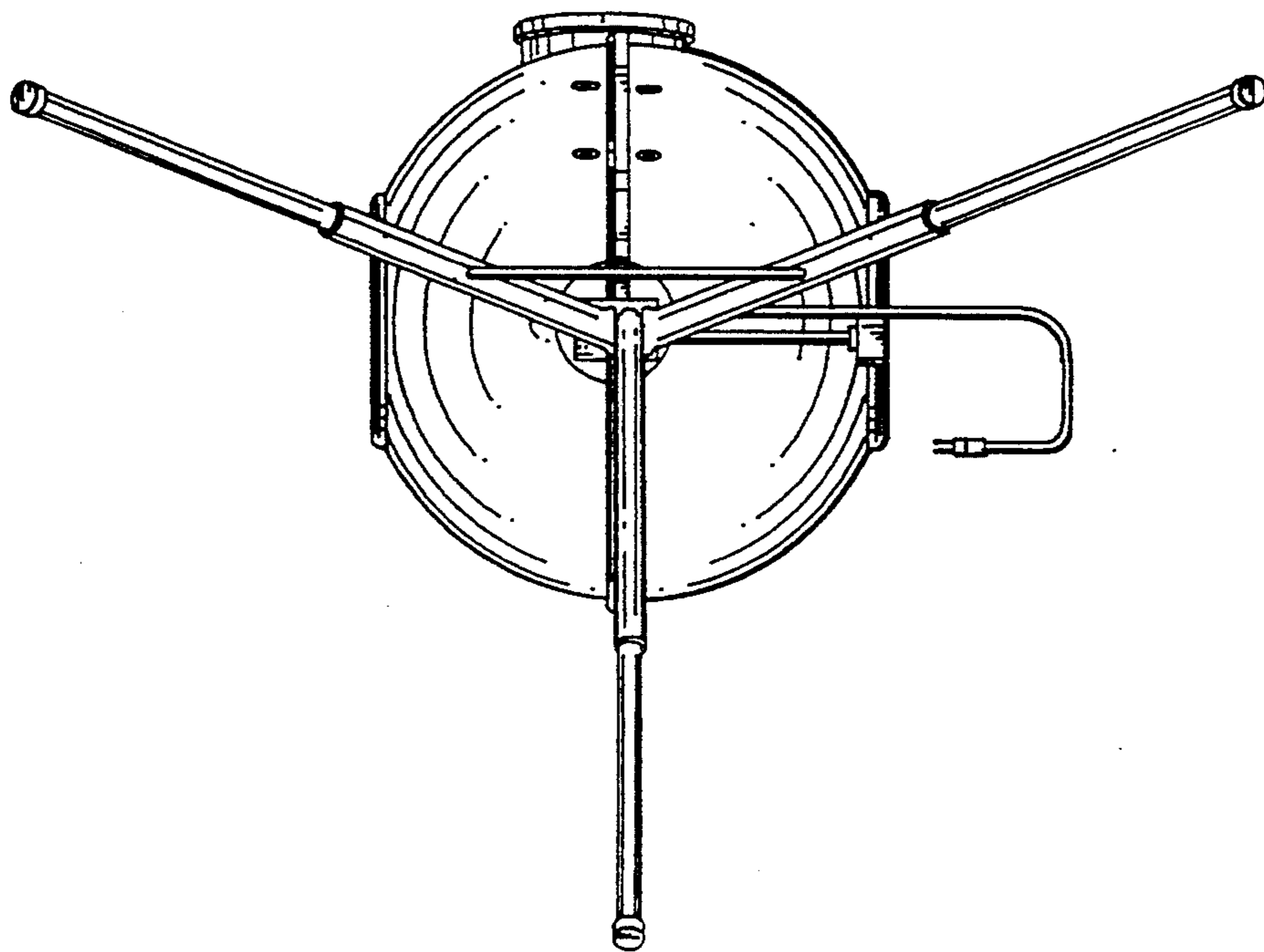


FIG. - 7