



US00D356841S

# United States Patent [19] Temple

[11] Patent Number: **Des. 356,841**

[45] Date of Patent: **\*\* Mar. 28, 1995**

[54] **SOCCER GOAL FRAME**

[75] Inventor: **Kenneth D. Temple**, Twinsburg, Ohio

[73] Assignee: **The Little Tikes Company**, Hudson, Ohio

[\*\*] Term: **14 Years**

[21] Appl. No.: **19,127**

[22] Filed: **Feb. 23, 1994**

[52] U.S. Cl. .... **D21/200**

[58] Field of Search ..... **D21/200; 273/26 A, 26 R, 273/127 R, 127 C, 127 D, 181 F, 181 R, 182 R, 182 A, 396, 410, 411, 400, 407**

[56] **References Cited**

**U.S. PATENT DOCUMENTS**

4,553,751 11/1985 Ketchum ..... 273/407 X  
4,955,607 9/1990 Maye ..... 273/26 A

**OTHER PUBLICATIONS**

P. 17, Lil' Sport ® Soccer Set TM; The Ohio Art Company, P.O. Box 111, Bryan, Ohio 43506. Publication date 1987.

P. 32, Soccer and hockey; Fisher Price, 620 Girard Ave., East Aurora, N.Y. 14052-1879. Publication date 1992.

P. 12, Soccer; Fisher Price, 620 Girard Ave., East Aurora, N.Y. 14052-1879. Publication date 1989.

P. 103, Soccer goal; BCI Burke Company, Inc., P.O. Box 549, 660 Van Dyne Rd., Fond du Lac, Wis. 54936-0549. Publication date 1992.

P. 78, Soccer goal; Quality Industries, Inc., Hillsdale Industrial Park, P.O. Box 765, Hillsdale, Mich. 49242-0765. Publication date 1988.

*Primary Examiner*—Theodore M. Shooman

*Assistant Examiner*—Cheri Cohen

*Attorney, Agent, or Firm*—Richard B. O'Planick; Lisa B. Riedesel

[57] **CLAIM**

The ornamental design for a soccer goal frame, as shown and described.

**DESCRIPTION**

FIG. 1 is a top left rear perspective view of a soccer goal frame showing my new design. The broken lines are for illustrative purposes only and form no part of the claimed design;

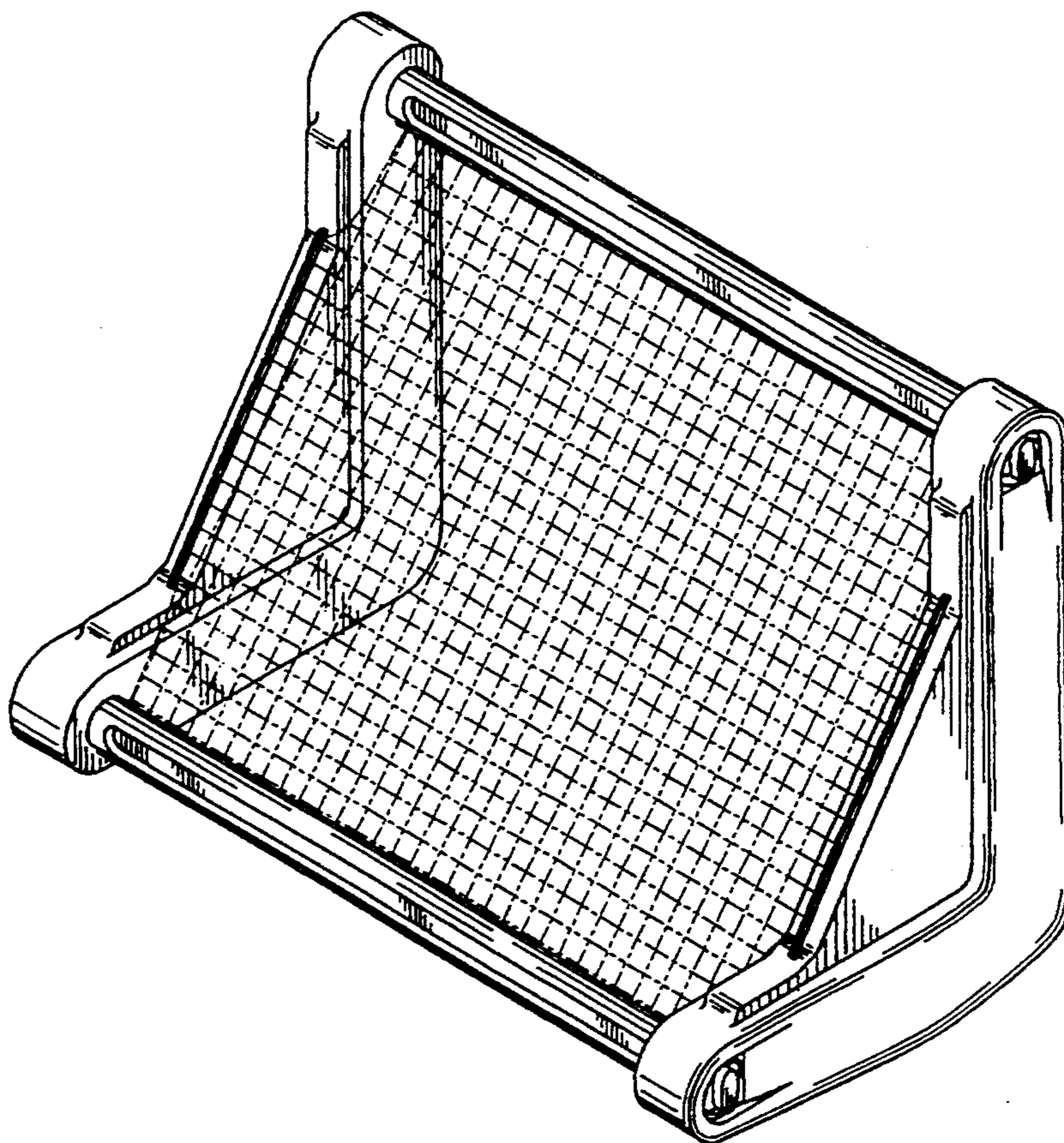
FIG. 2 is a front elevational view thereof;

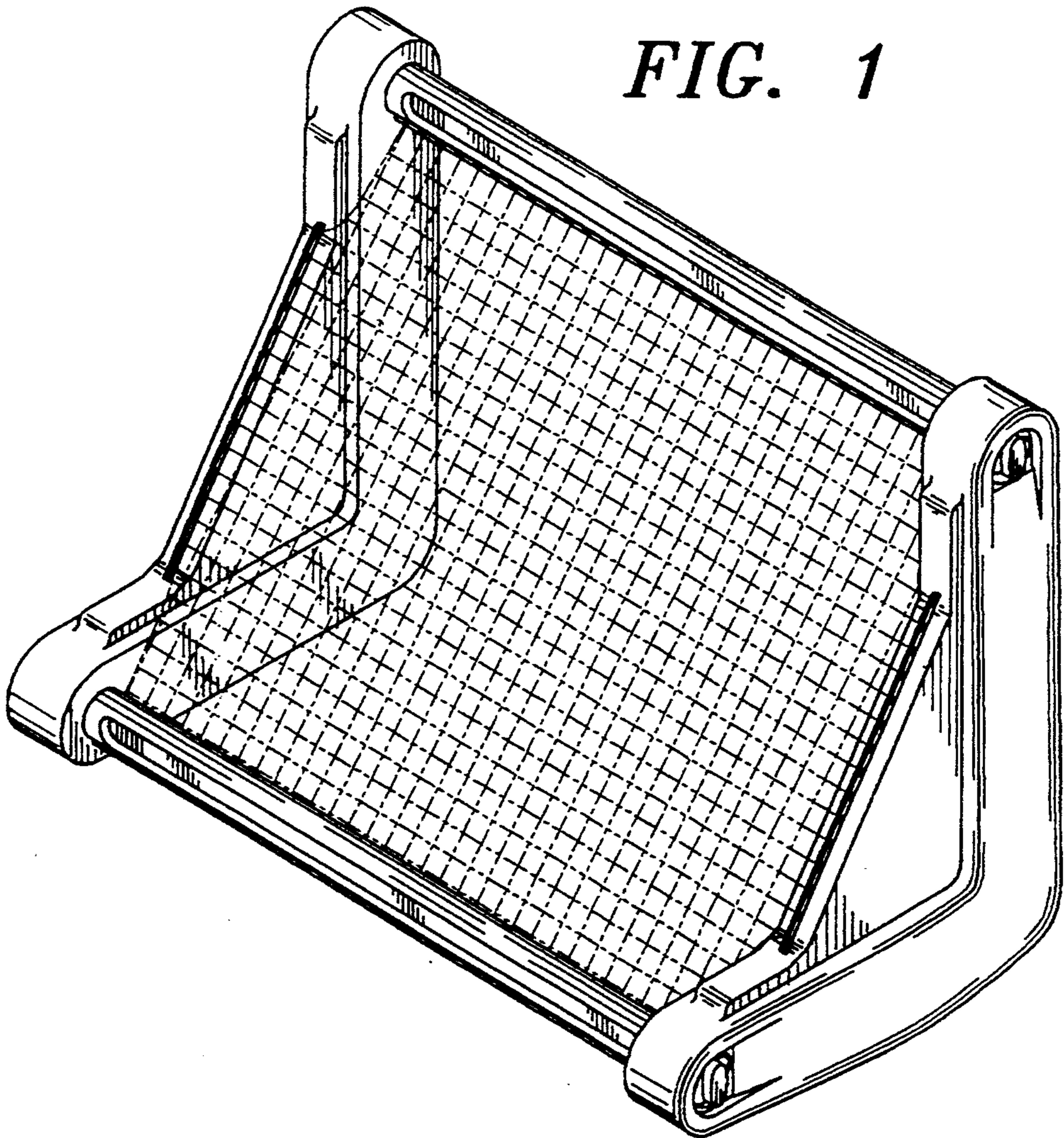
FIG. 3 is a right side elevational view thereof; the left side elevational view being a mirror image;

FIG. 4 is a top plan view thereof;

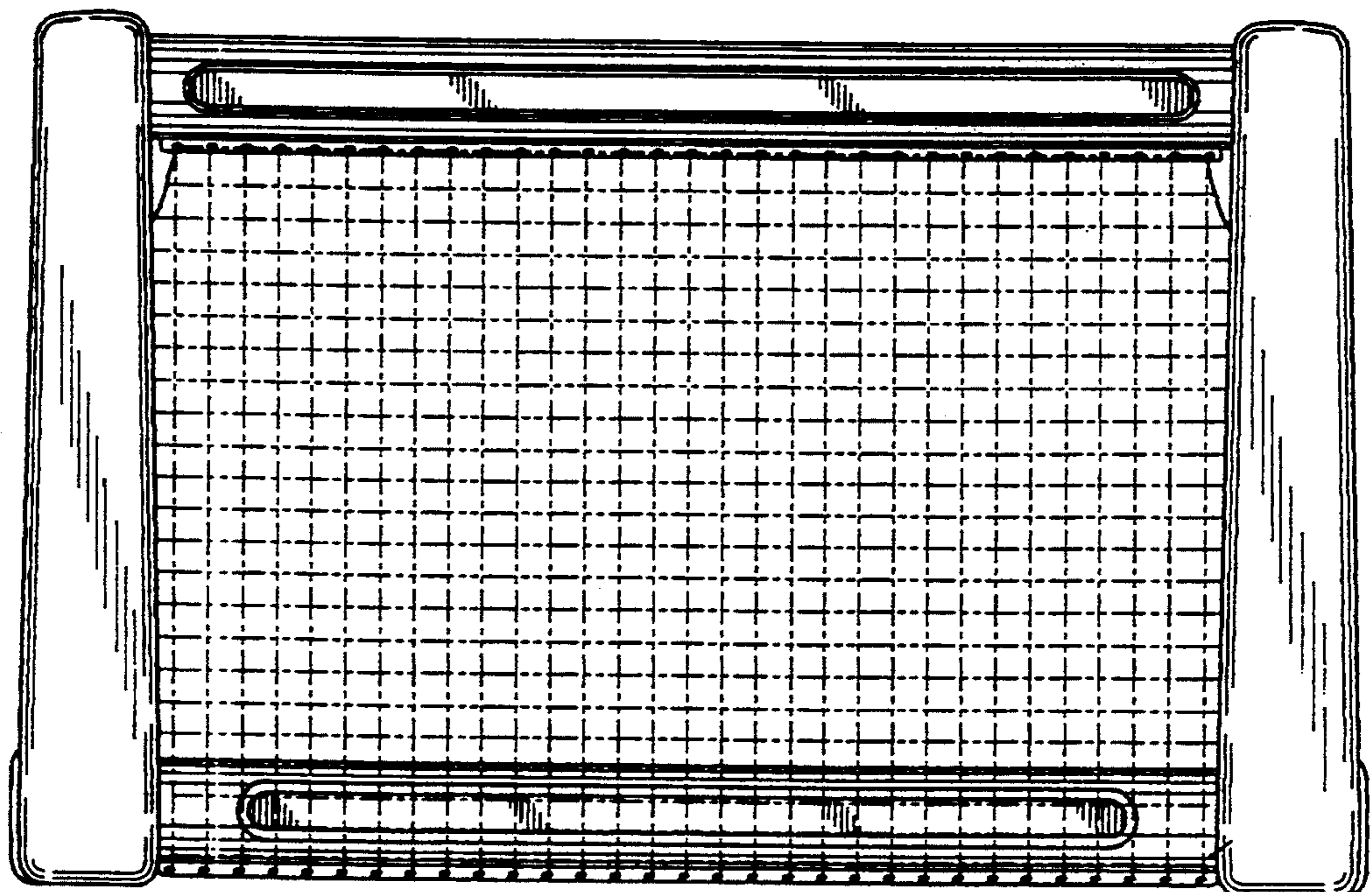
FIG. 5 is a rear elevational view thereof; and,

FIG. 6 is a bottom plan view thereof.



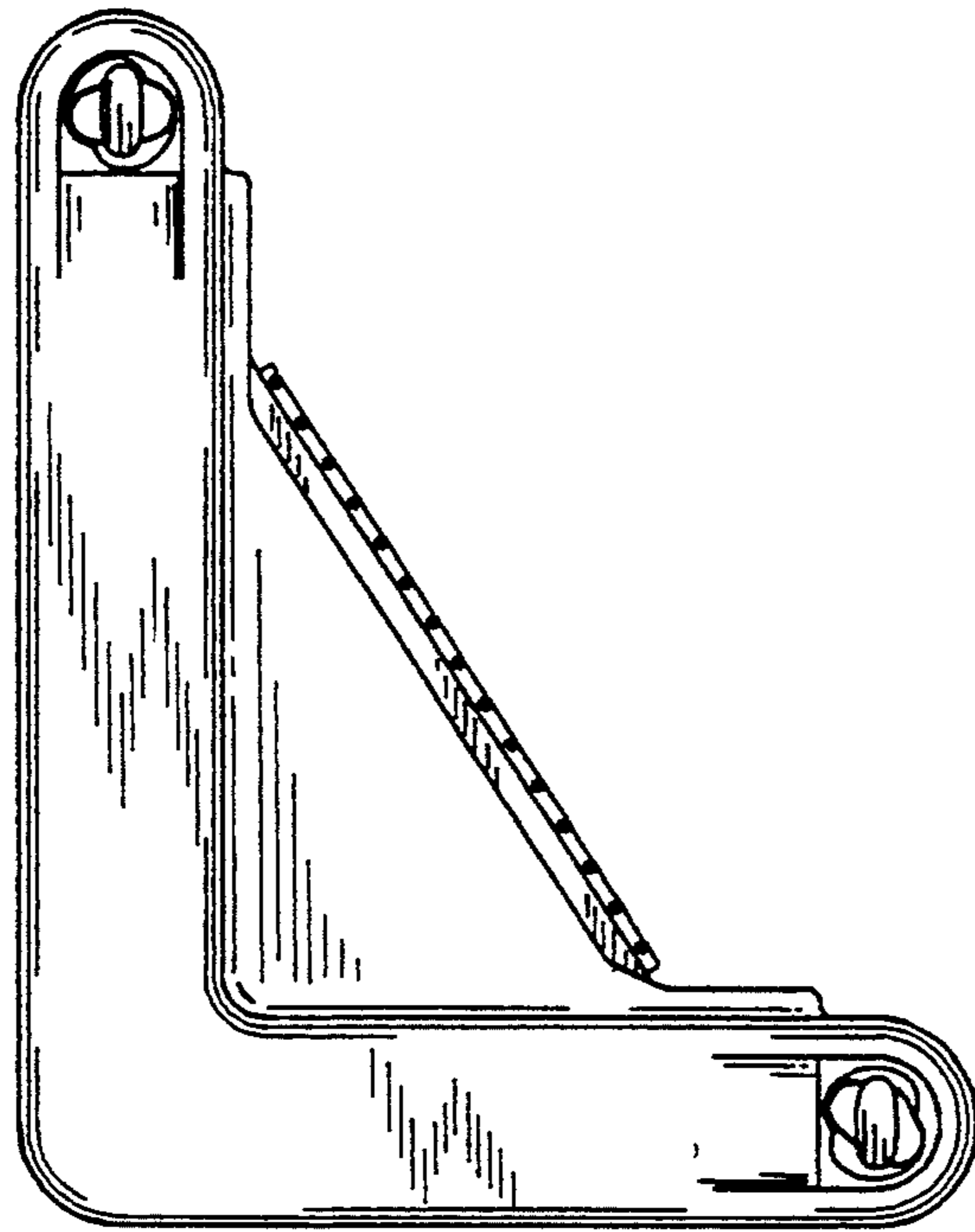


*FIG. 1*

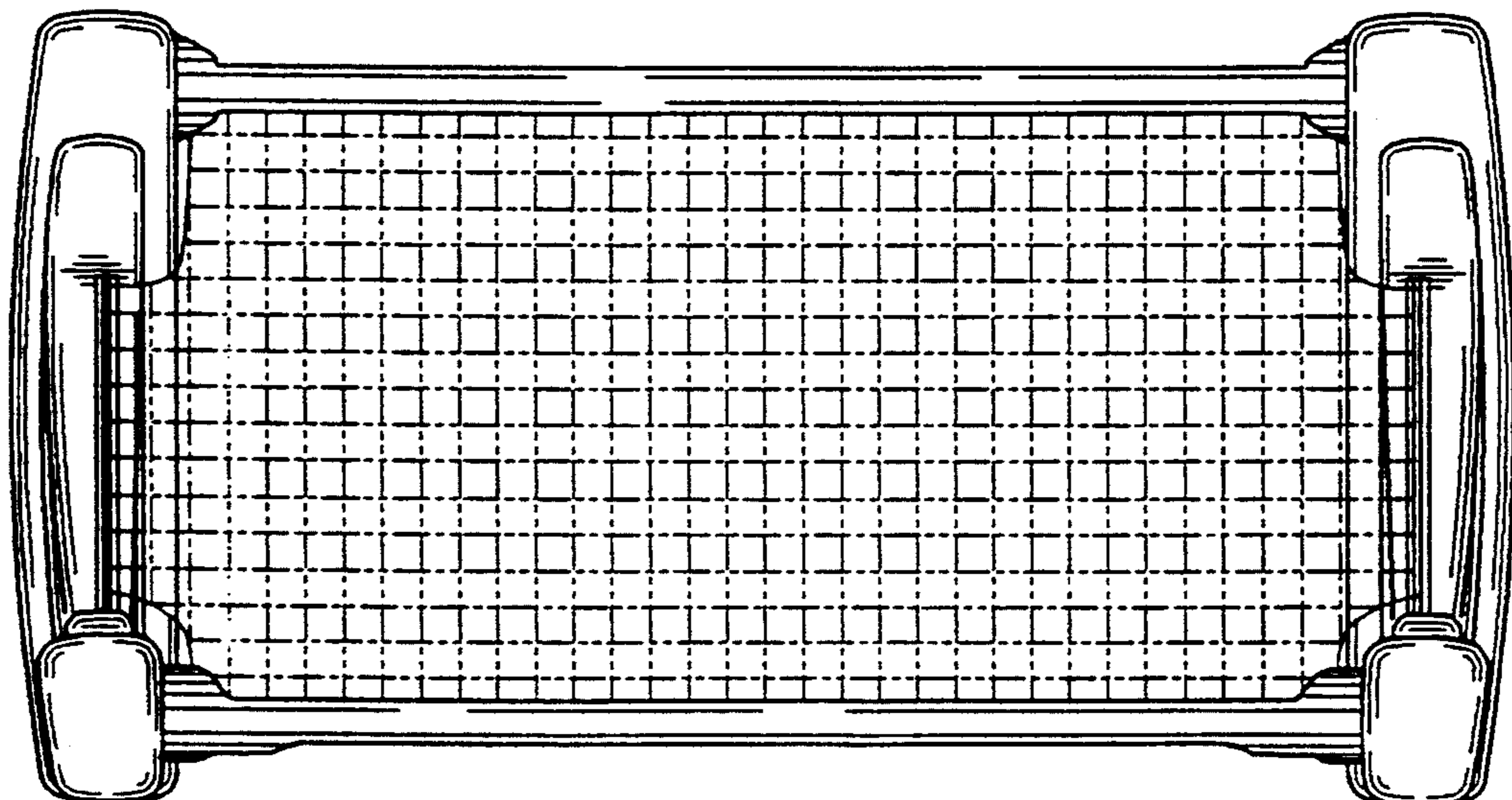


*FIG. 2*

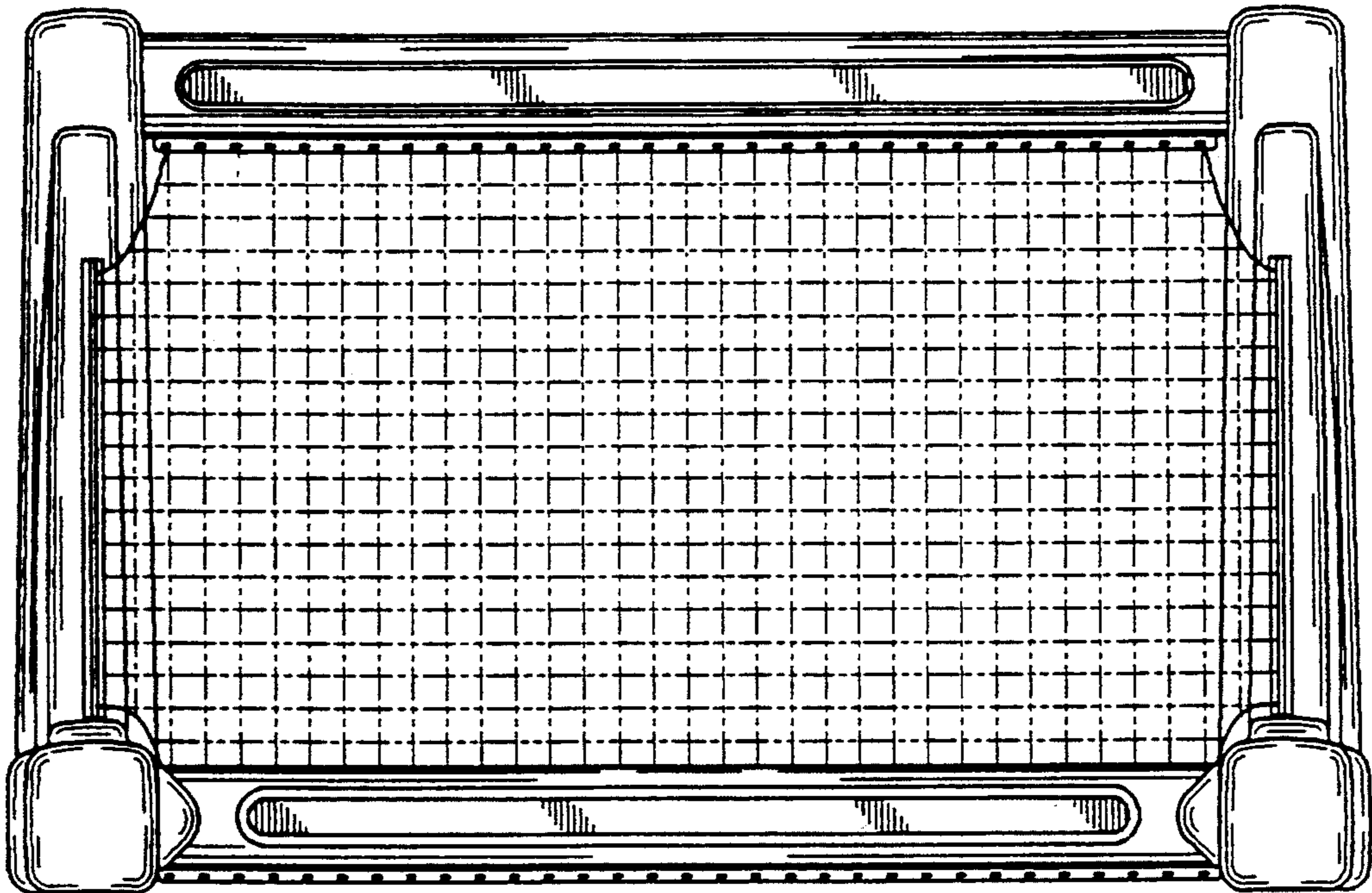
*FIG. 3*



*FIG. 4*



*FIG. 5*



*FIG. 6*

