



US00D356840S

United States Patent [19]

[11] Patent Number: **Des. 356,840**

Huang

[45] Date of Patent: **** Mar. 28, 1995**

[54] **EXERCISE CYCLE**

[76] Inventor: **Hui-Mei Huang**, No. 226, Tung Hsin Road, Tung Leh Village, Yuan San Hsiang, I Lan Hsien, Taiwan, Prov. of China

[**] Term: **14 Years**

[21] Appl. No.: **17,897**

[22] Filed: **Jan. 25, 1994**

[52] U.S. Cl. **D21/194**

[58] Field of Search **D21/191, 192, 193, 194, D21/195; 482/57, 58, 59, 60**

- D. 301,729 6/1989 Capjon D21/194
- D. 302,990 8/1989 Beistegui D21/194
- D. 307,928 5/1990 Meisner D21/194
- D. 308,235 5/1990 Meisner D21/194

Primary Examiner—Prabhakar G. Deshmukh
Assistant Examiner—Philip Hyder
Attorney, Agent, or Firm—Varndell Legal Group

[57] **CLAIM**

The ornamental design for an exercise cycle, as shown and described.

DESCRIPTION

FIG. 1 is a perspective view of an exercise cycle showing my new design;
FIG. 2 is a front elevational view thereof;
FIG. 3 is a top plan view thereof;
FIG. 4 is a bottom plan view thereof;
FIG. 5 is a left side elevational view thereof;
FIG. 6 is a right side elevational view thereof; and,
FIG. 7 is a rear elevational view thereof.

[56] **References Cited**

U.S. PATENT DOCUMENTS

- D. 280,923 10/1985 Smith et al. D21/194
- D. 288,706 3/1987 Gremonprez et al. D21/194
- D. 289,669 5/1987 Kasuba et al. D21/194
- D. 289,670 5/1987 Kasuba et al. D21/194
- D. 301,160 5/1989 Hung D21/194

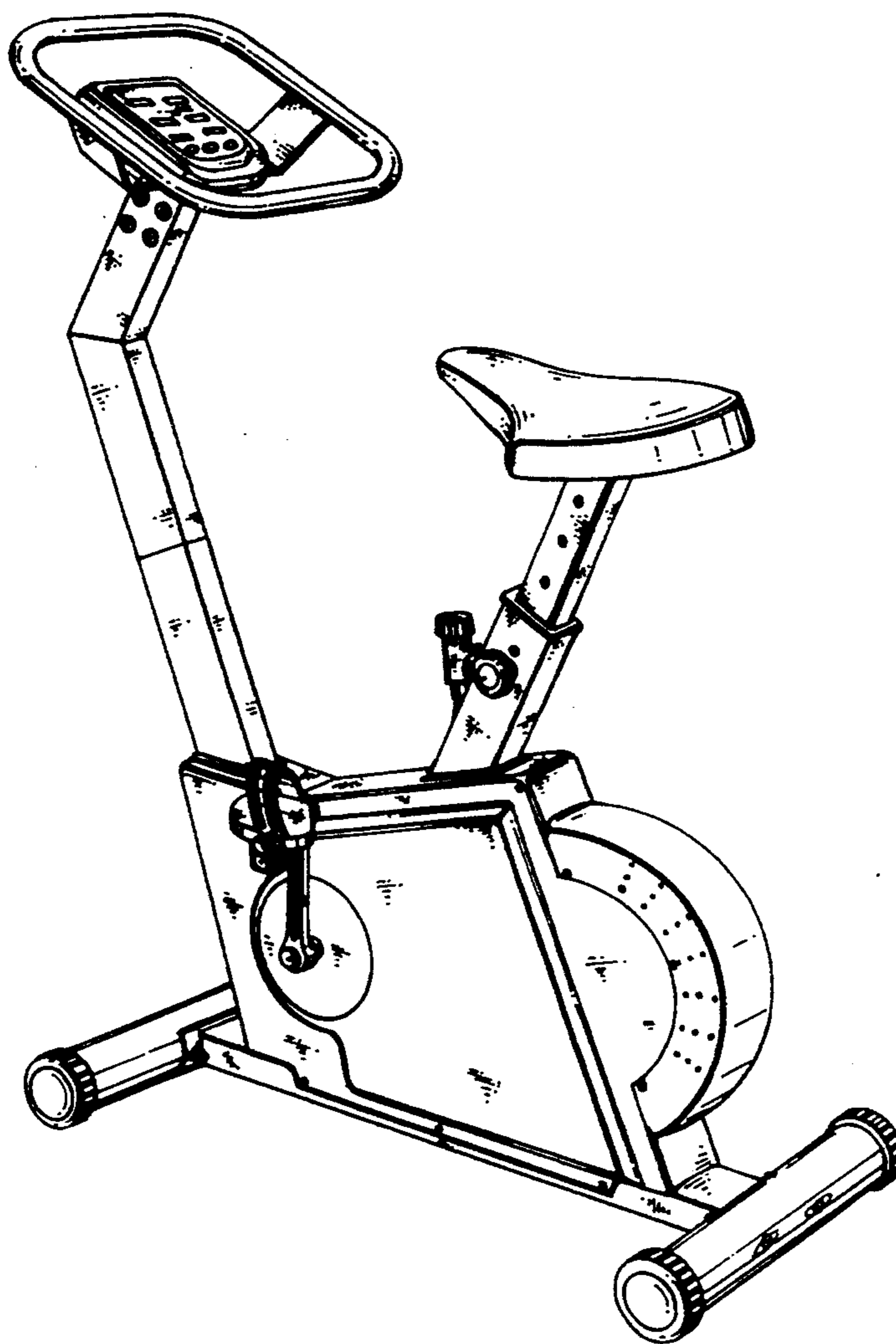


Fig. 1

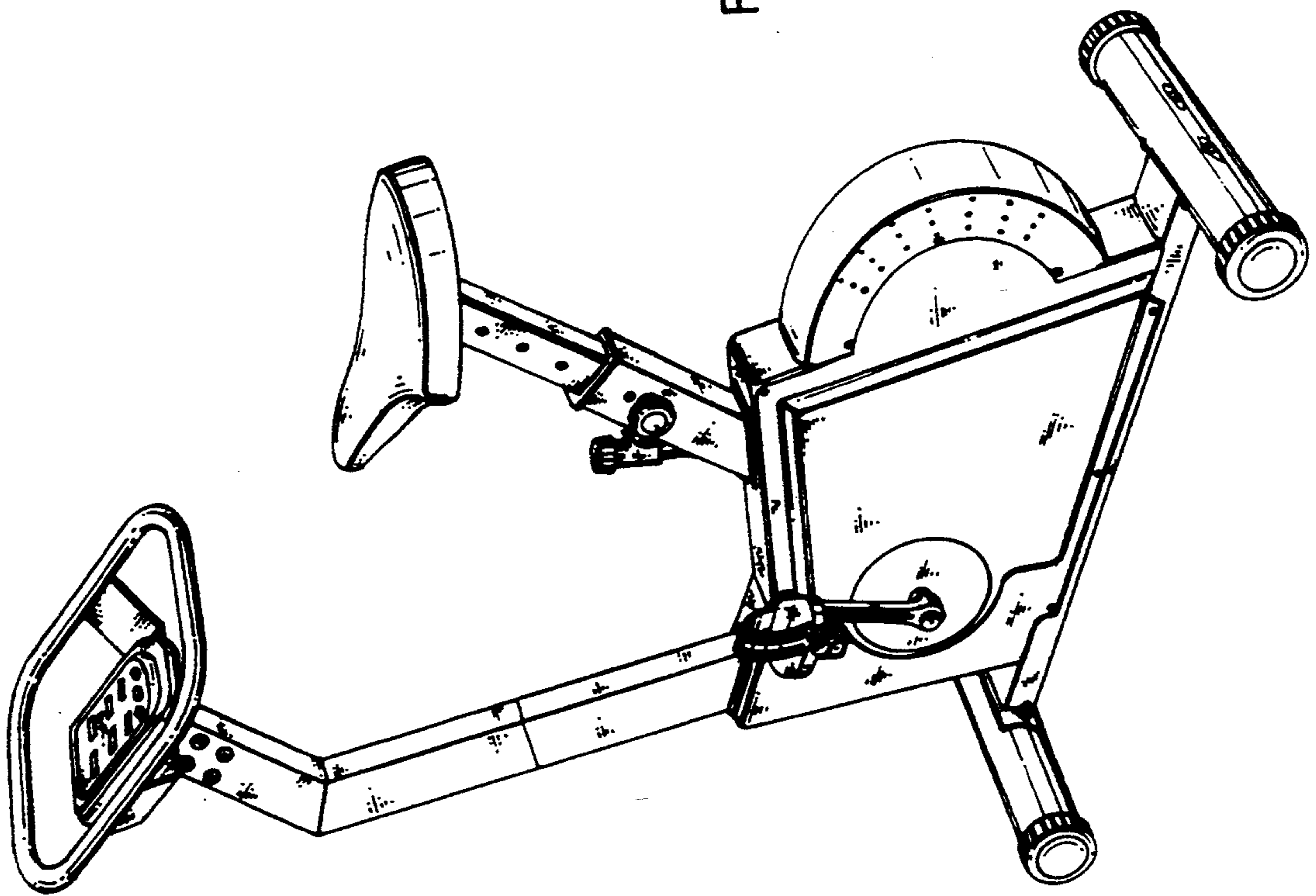
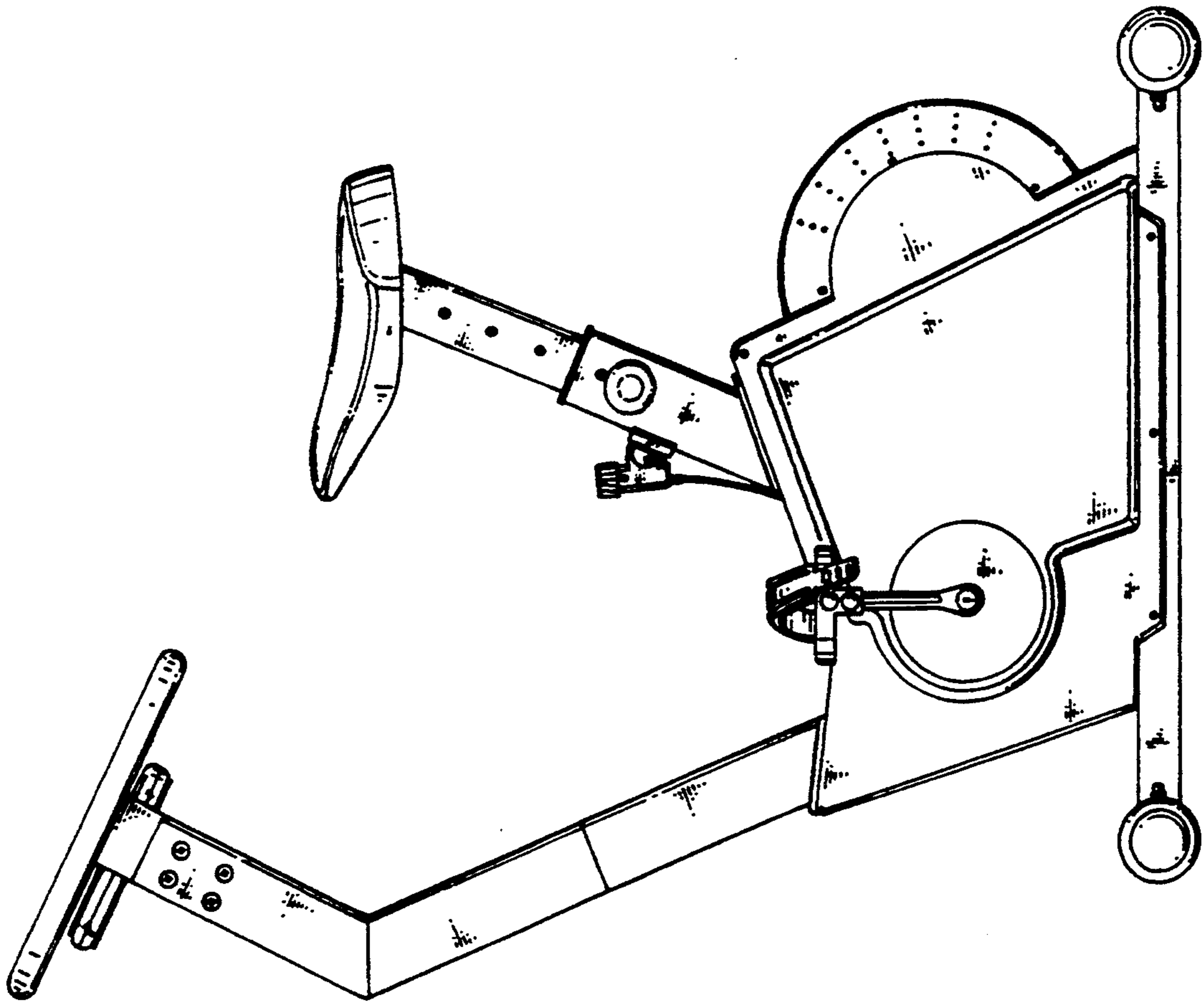


Fig. 2



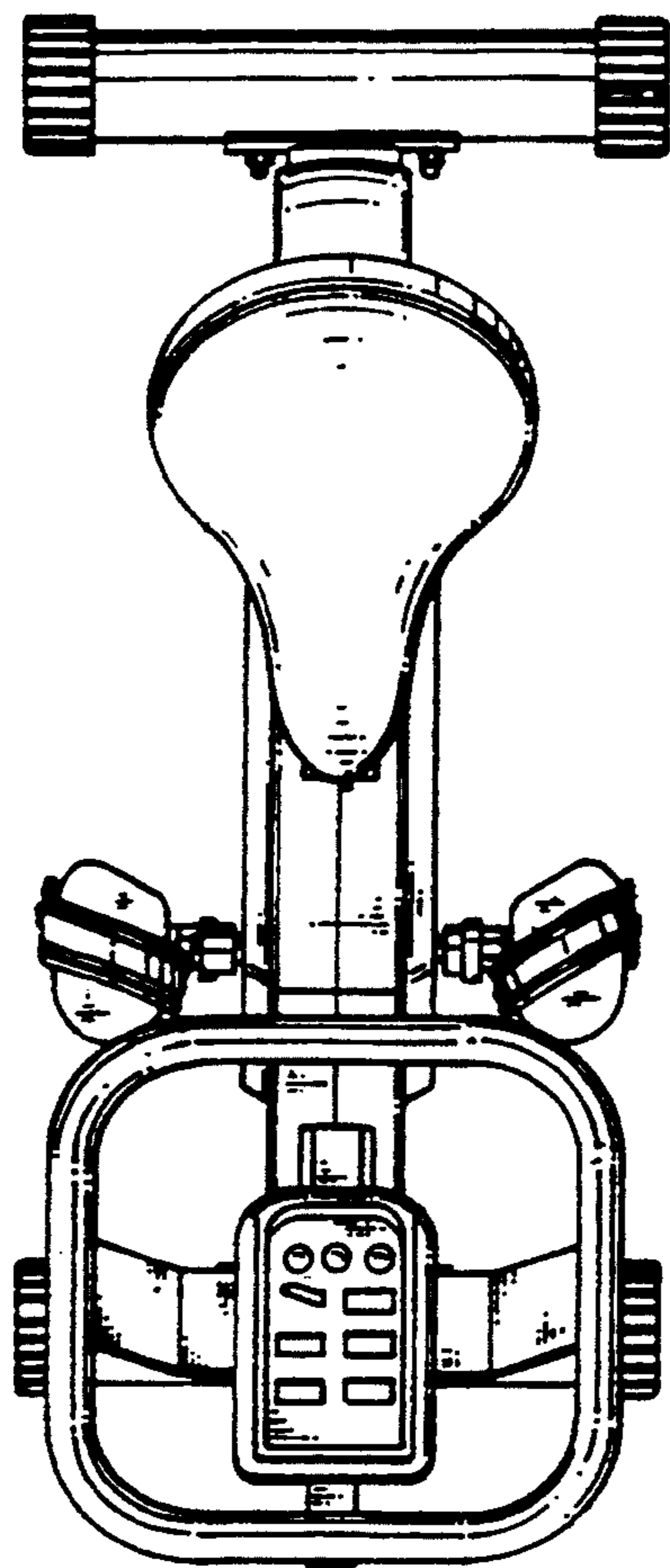


Fig. 3

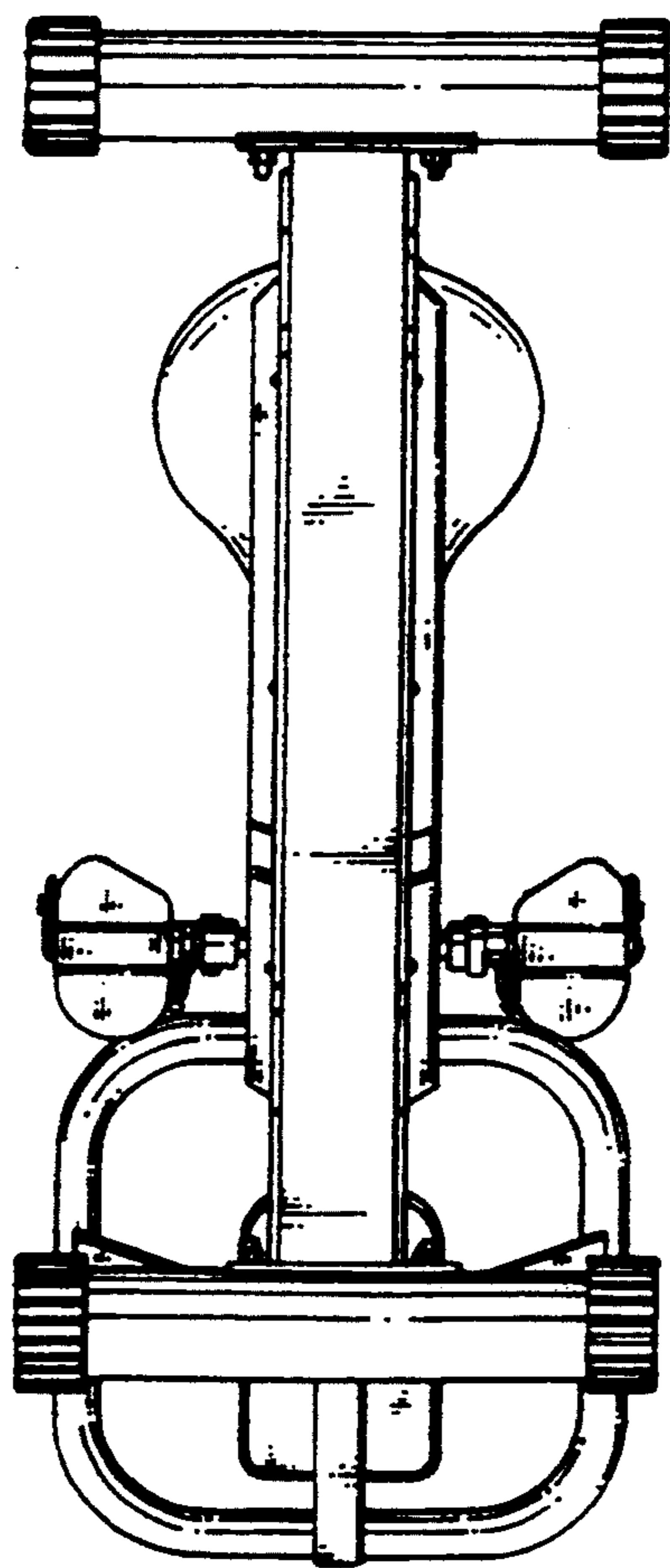


Fig. 4

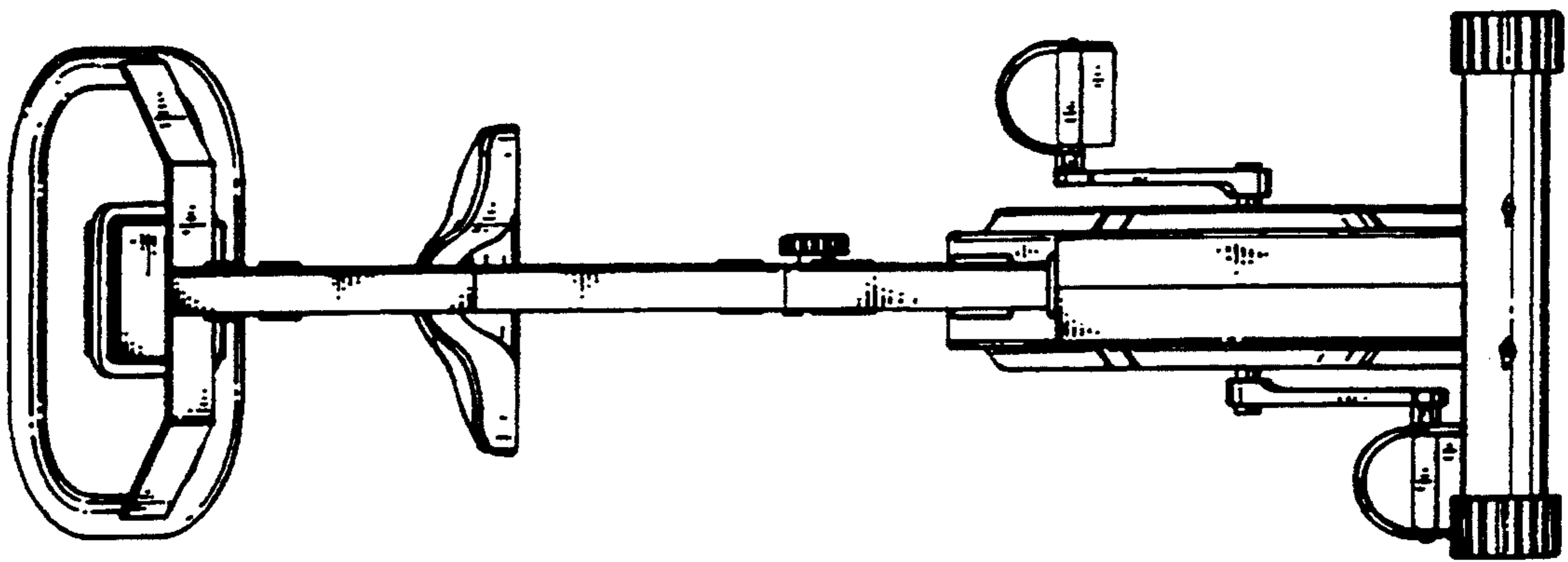


Fig. 5

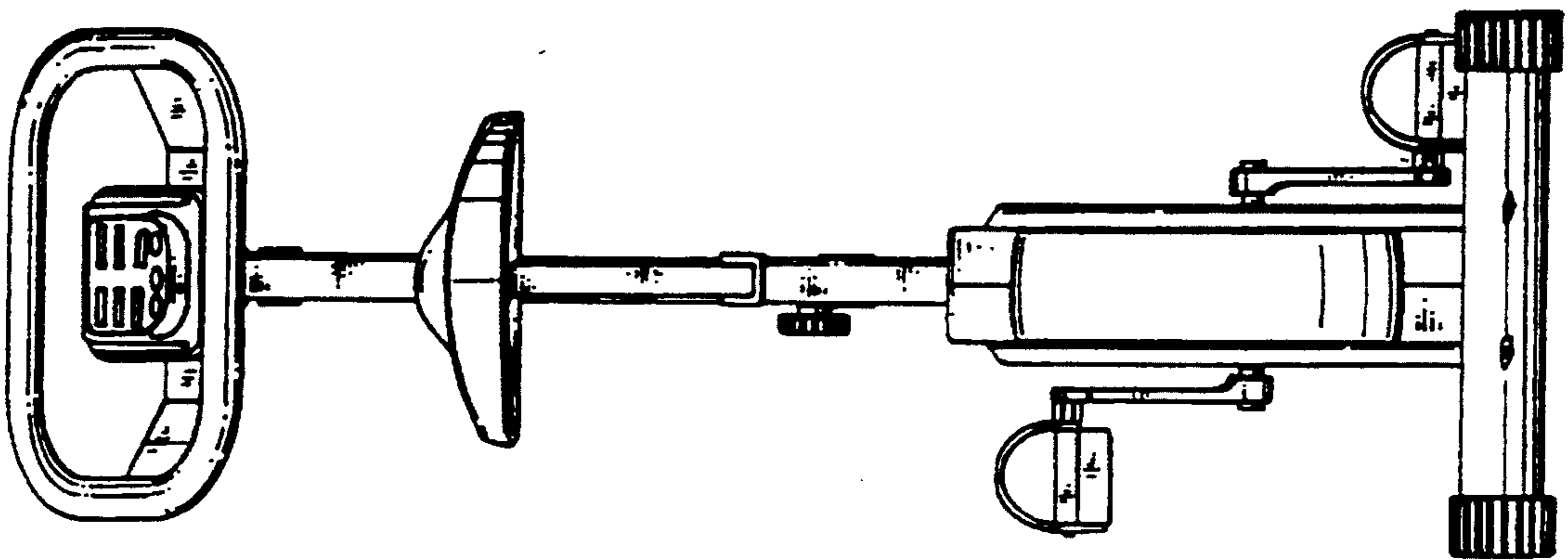


Fig. 6

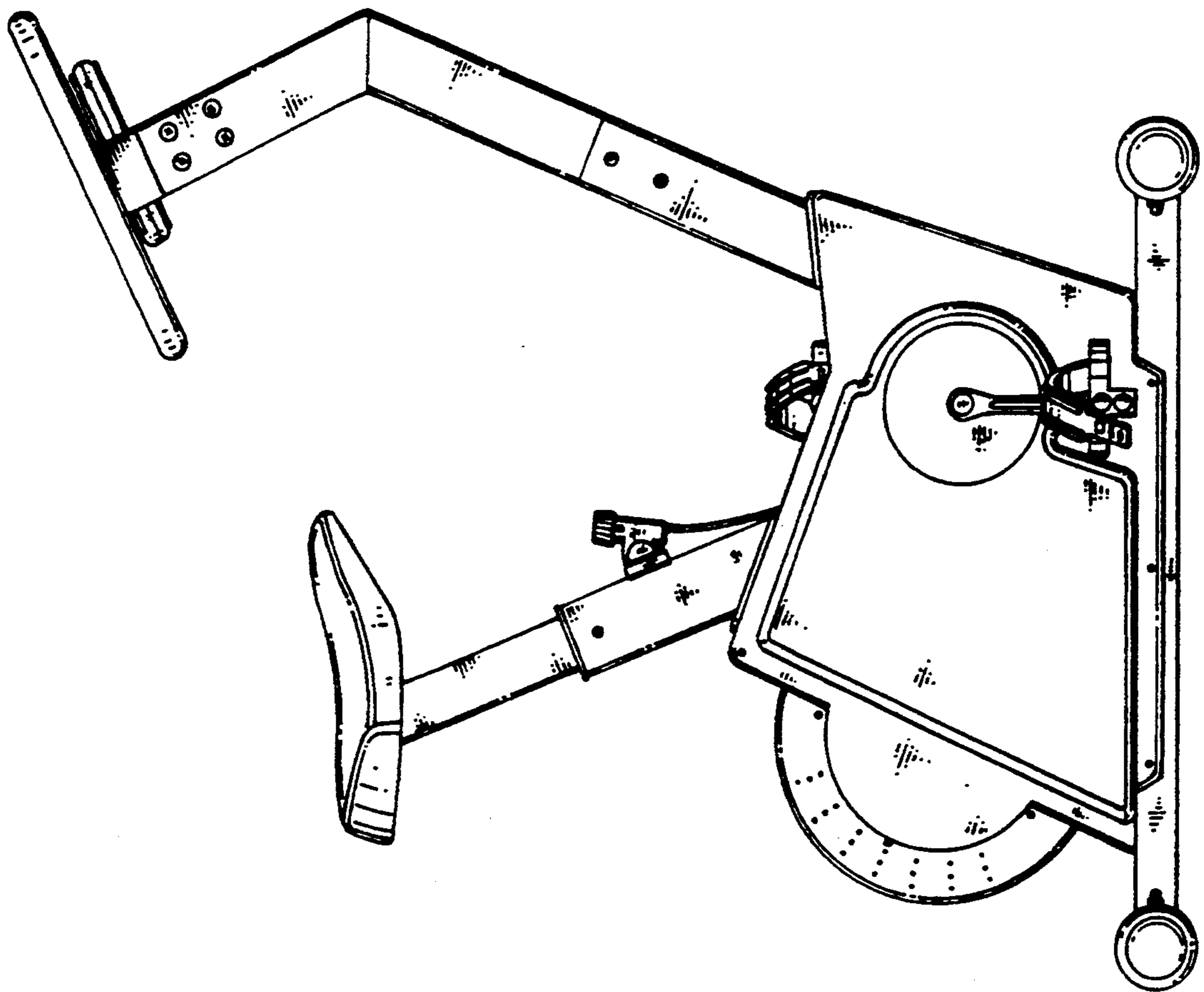


Fig. 7