



US00D356839S

United States Patent [19] Ferdinand

[11] Patent Number: **Des. 356,839**

[45] Date of Patent: **** Mar. 28, 1995**

[54] **PHYSICAL EXERCISER**

[76] Inventor: **Donald A. Ferdinand**, 168-06 Linden Blvd., St. Albans, Queens, N.Y. 11434

[**] Term: **14 Years**

[21] Appl. No.: **5,140**

[22] Filed: **Feb. 24, 1993**

[52] U.S. Cl. **D21/191**

[58] Field of Search **D21/191, 195, 194; 482/131, 137, 142, 148, 95**

[56] **References Cited**

U.S. PATENT DOCUMENTS

2,305,548	12/1942	Nichols	482/131
2,716,027	8/1955	Gehri	482/131
3,117,782	1/1964	Johnston	482/142

4,084,815	4/1978	Flannery	482/131
5,171,295	12/1992	Schwalm, Jr.	482/131
5,176,602	1/1993	Roberts	482/131

Primary Examiner—Theodore M. Shooman

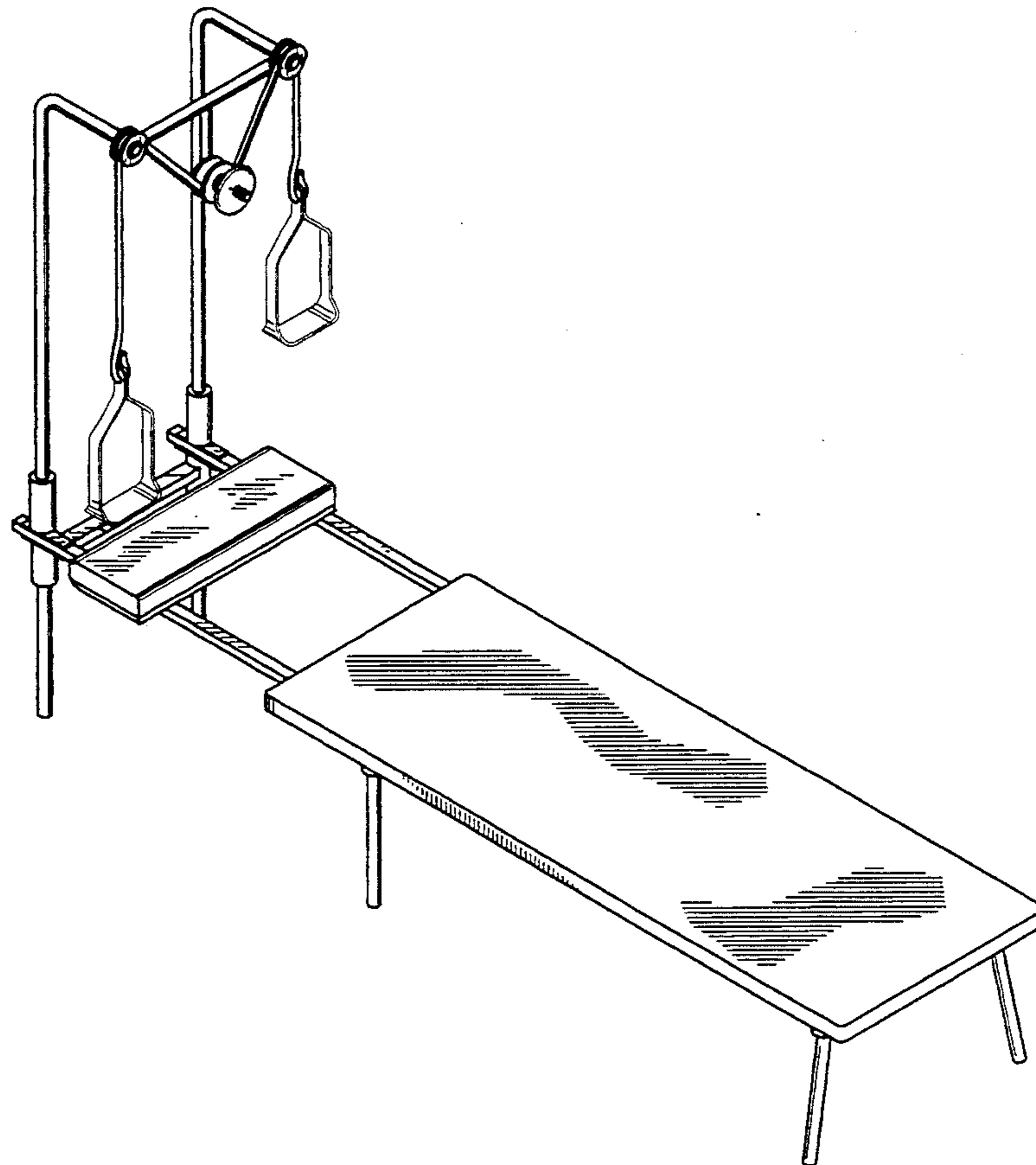
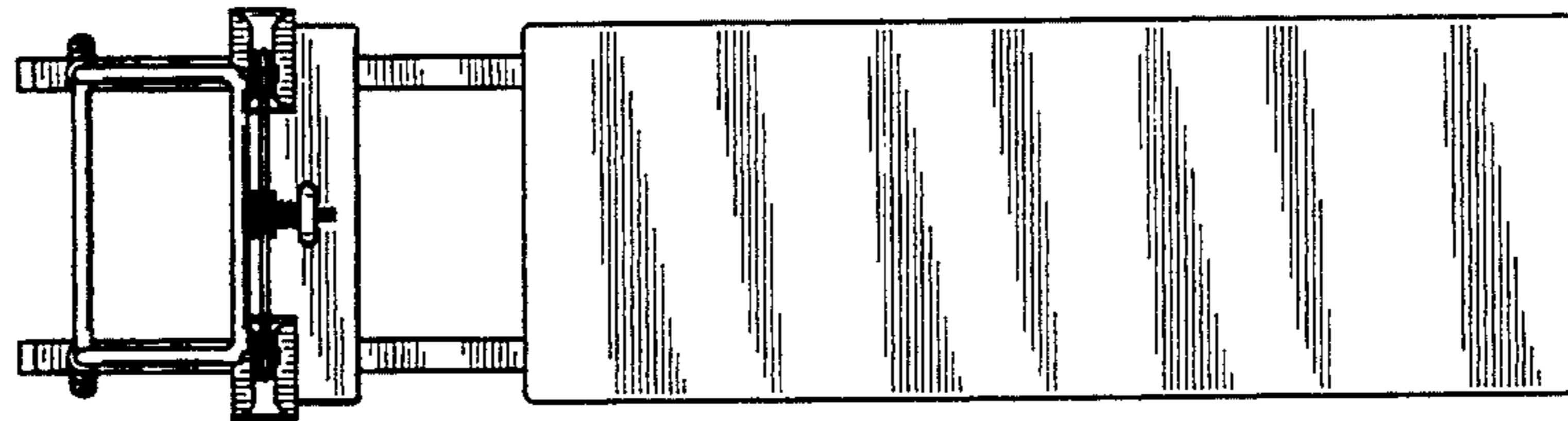
Assistant Examiner—Philip Hyder

[57] **CLAIM**

The ornamental design for a physical exerciser, as shown and described.

DESCRIPTION

FIG. 1 is a front elevational view of the physical exerciser showing my new design;
 FIG. 2 is a rear elevational view thereof;
 FIG. 3 is a left side elevational view thereof;
 FIG. 4 is a right side elevational view thereof;
 FIG. 5 is a top plan view thereof;
 FIG. 6 is a bottom plan view thereof; and,
 FIG. 7 is an top right perspective view thereof.



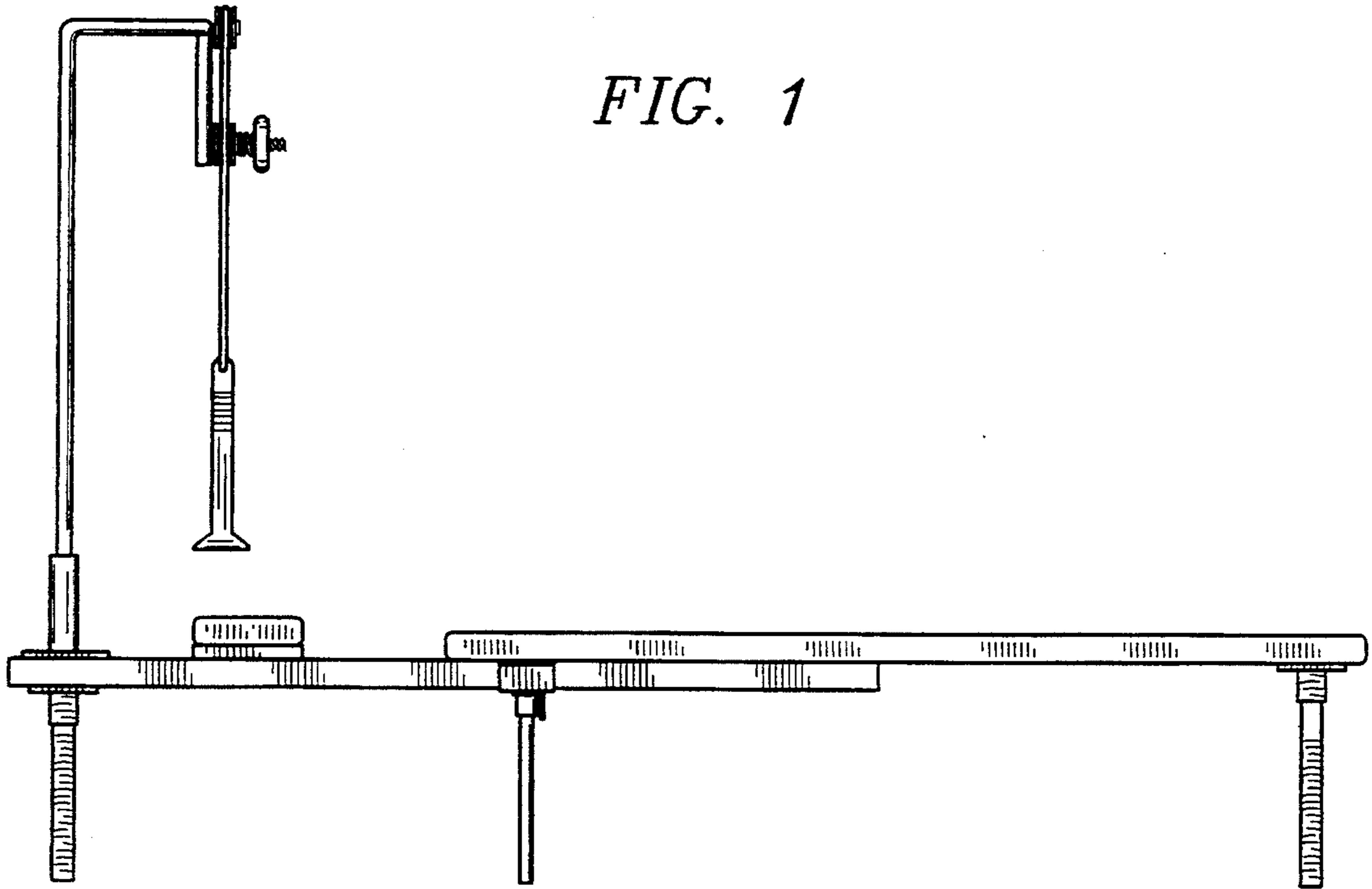


FIG. 1

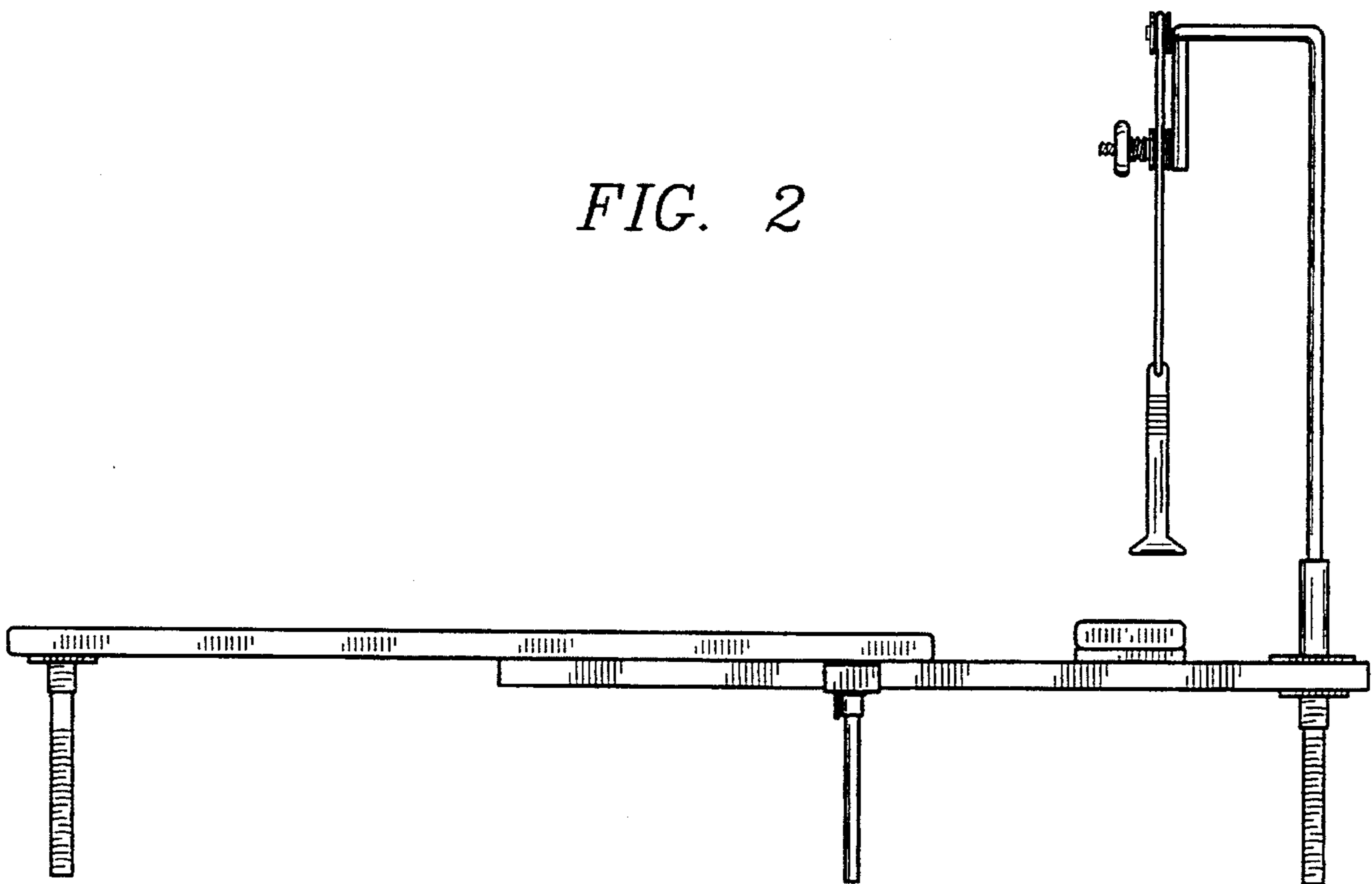


FIG. 2

FIG. 3

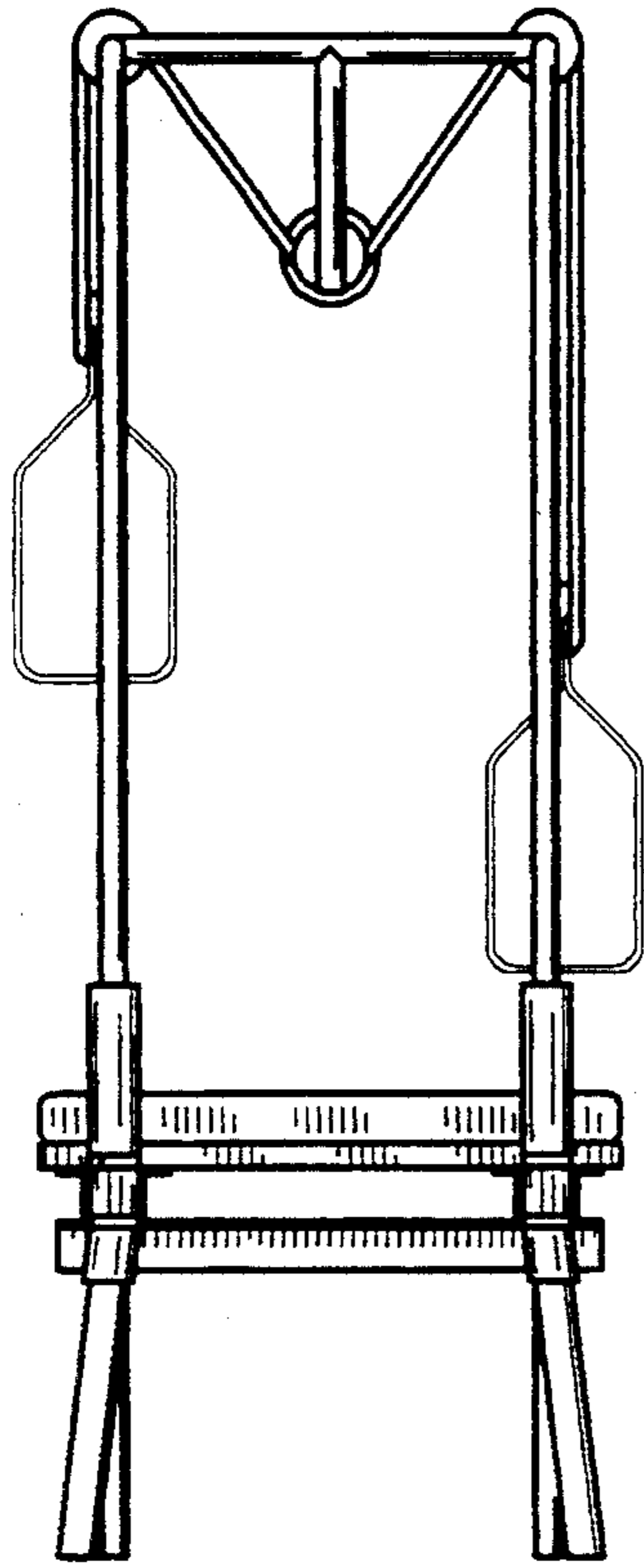


FIG. 4

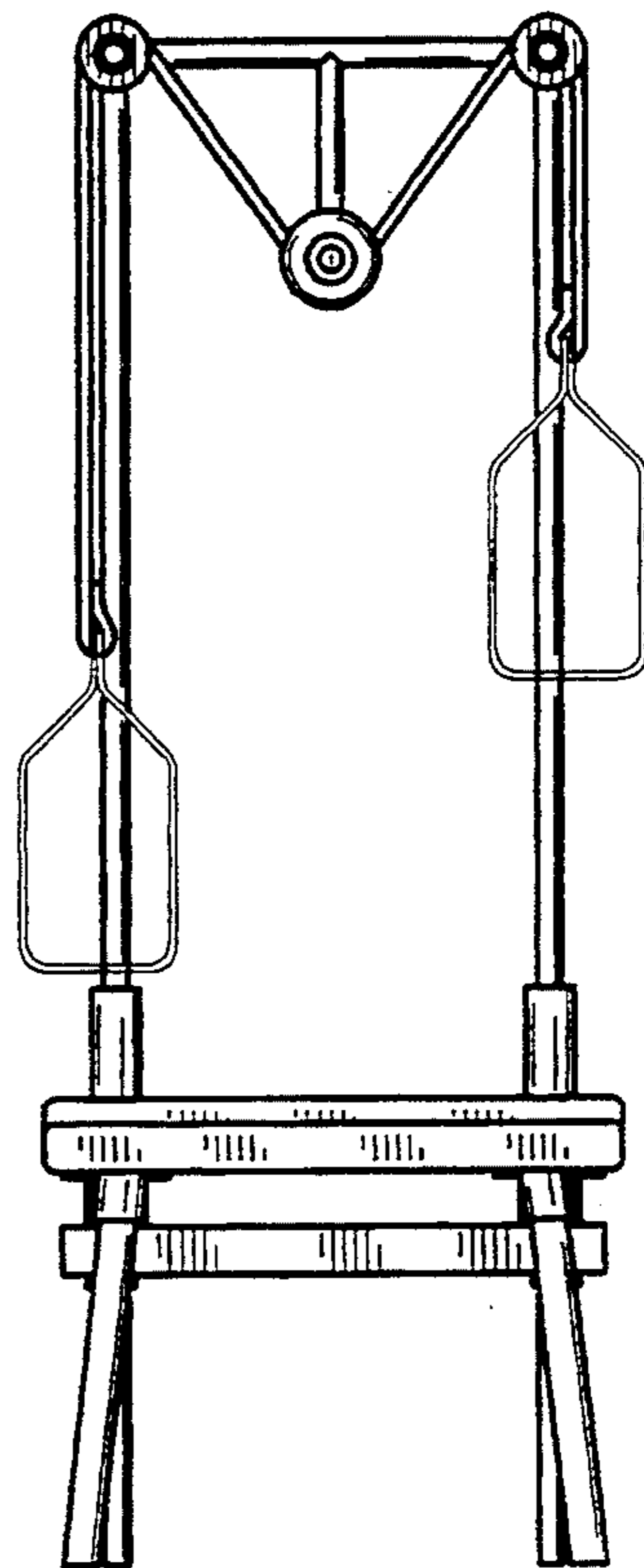


FIG. 5

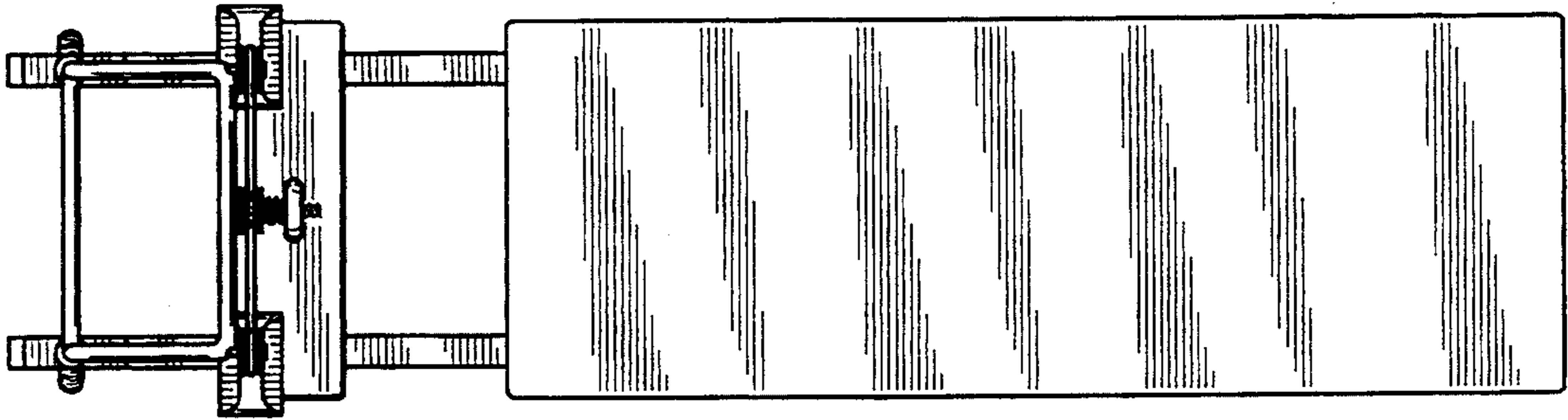
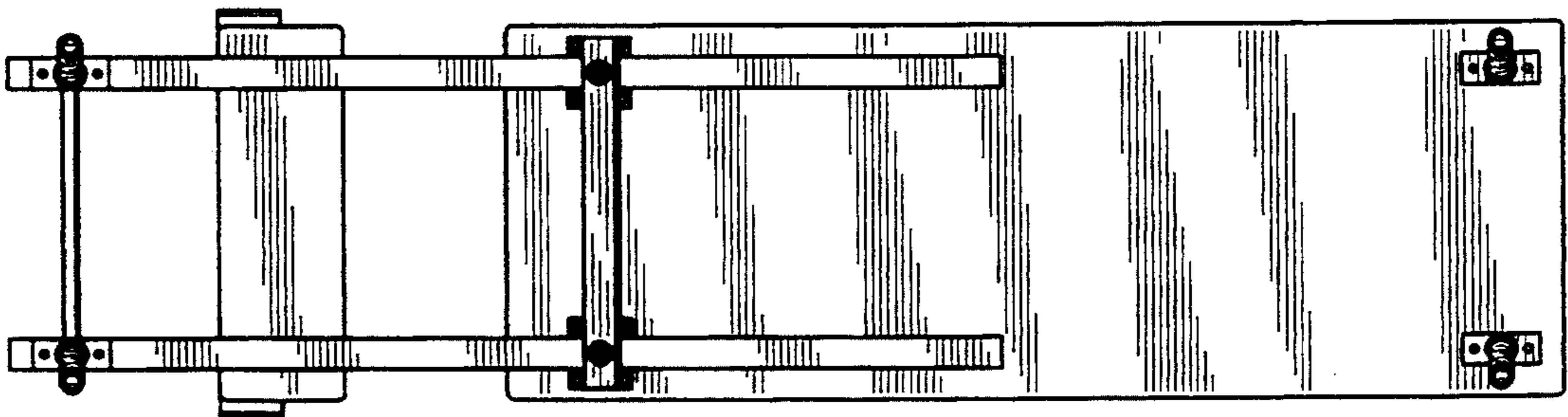


FIG. 6



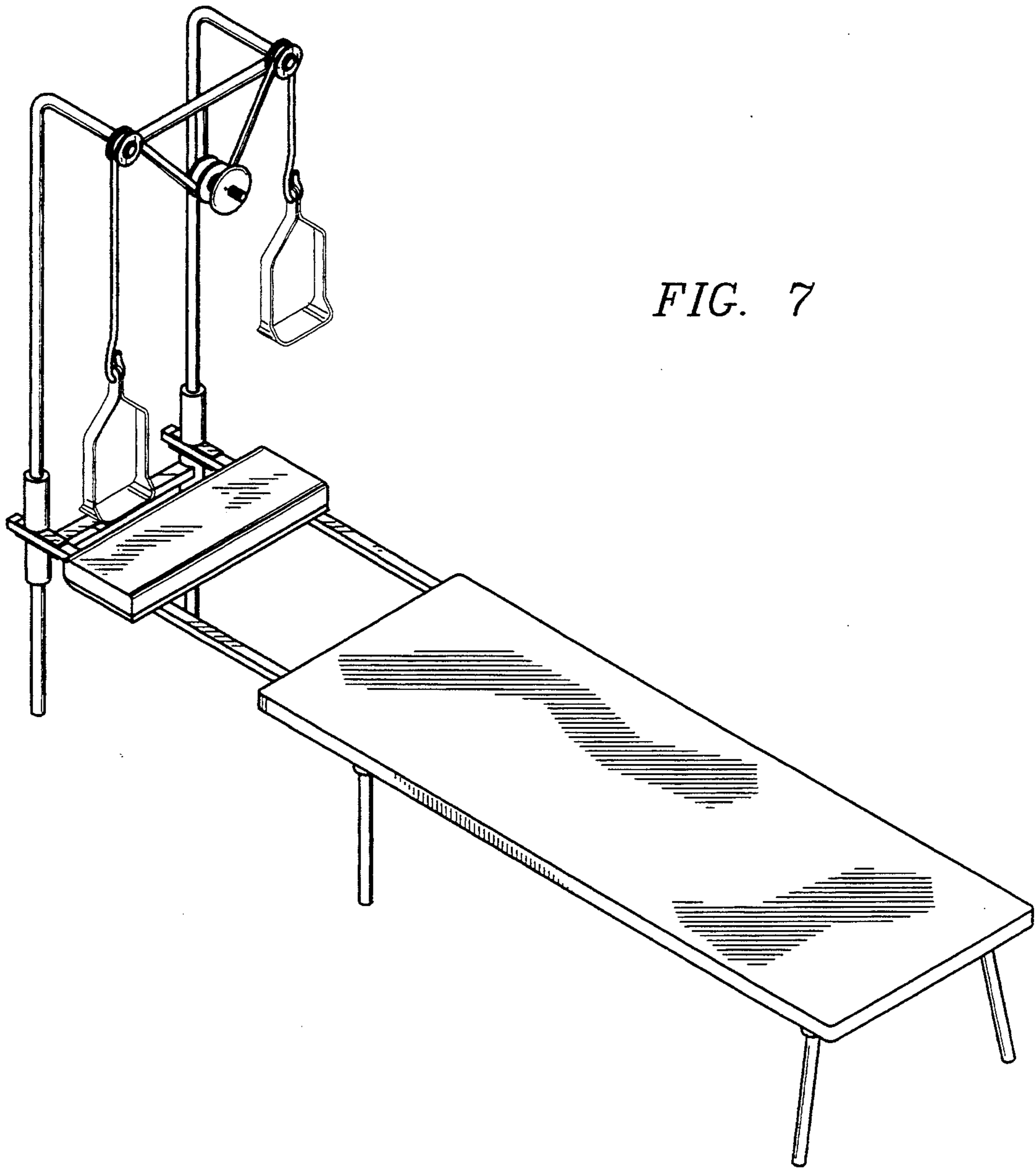


FIG. 7