



US00D356838S

United States Patent [19]

Santos

[11] Patent Number: Des. 356,838

[45] Date of Patent: ** Mar. 28, 1995

[54] COMBINED FLOAT AND EXERCISER

[76] Inventor: T. R. Santos, P.O. Box 6636-830 A
Alynn, Chico, Calif. 95926

[**] Term: 14 Years

[21] Appl. No.: 14,487

[22] Filed: Oct. 25, 1993

[52] U.S. Cl. D21/191; D21/236

[58] Field of Search D21/191, 194, 195, 236,
D21/237; 482/111; 440/26, 27; 441/130;
D12/306, 316

3,185,125 5/1965 Haman 440/27
3,999,501 12/1976 Duarte 440/27
4,500,297 2/1985 Boulva 440/27

Primary Examiner—Bernard Ansher

Assistant Examiner—Philip Hyder

[57] CLAIM

The ornamental design for a combined float and exerciser, as shown and described.

DESCRIPTION

FIG. 1 is a top right perspective view of a combined float and exerciser showing my new design;

FIG. 2 is a top plan view thereof;

FIG. 3 is a bottom plan view thereof;

FIG. 4 is a right side elevational view thereof, with the left end view appearing the same;

FIG. 5 is a front elevational view thereof; and,

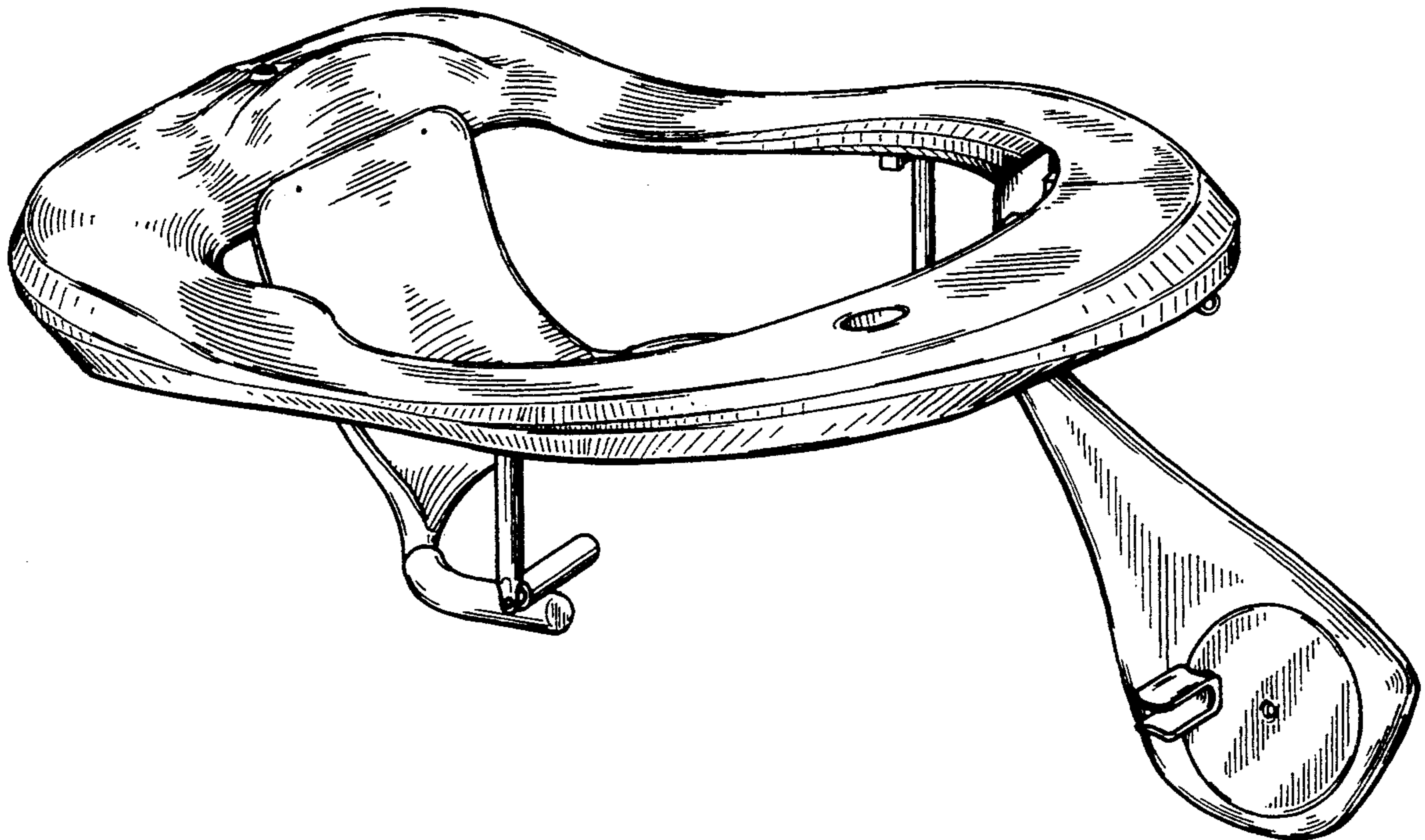
FIG. 6 is a rear elevational view thereof.

The dotted line drawing of the person in FIG. 4 is for illustrative purposes only and forms no part of the claimed design.

[56] References Cited

U.S. PATENT DOCUMENTS

D. 183,280	7/1958	Jacus	D12/306
D. 192,714	5/1962	Thomas	D12/306
D. 299,941	2/1989	Chang	D21/236
D. 317,893	7/1991	Rudy	D21/236
D. 329,077	9/1992	Burkhalter	D21/236
D. 331,439	12/1992	Gibson	D21/236
3,045,636	7/1962	Thomas et al.	440/26



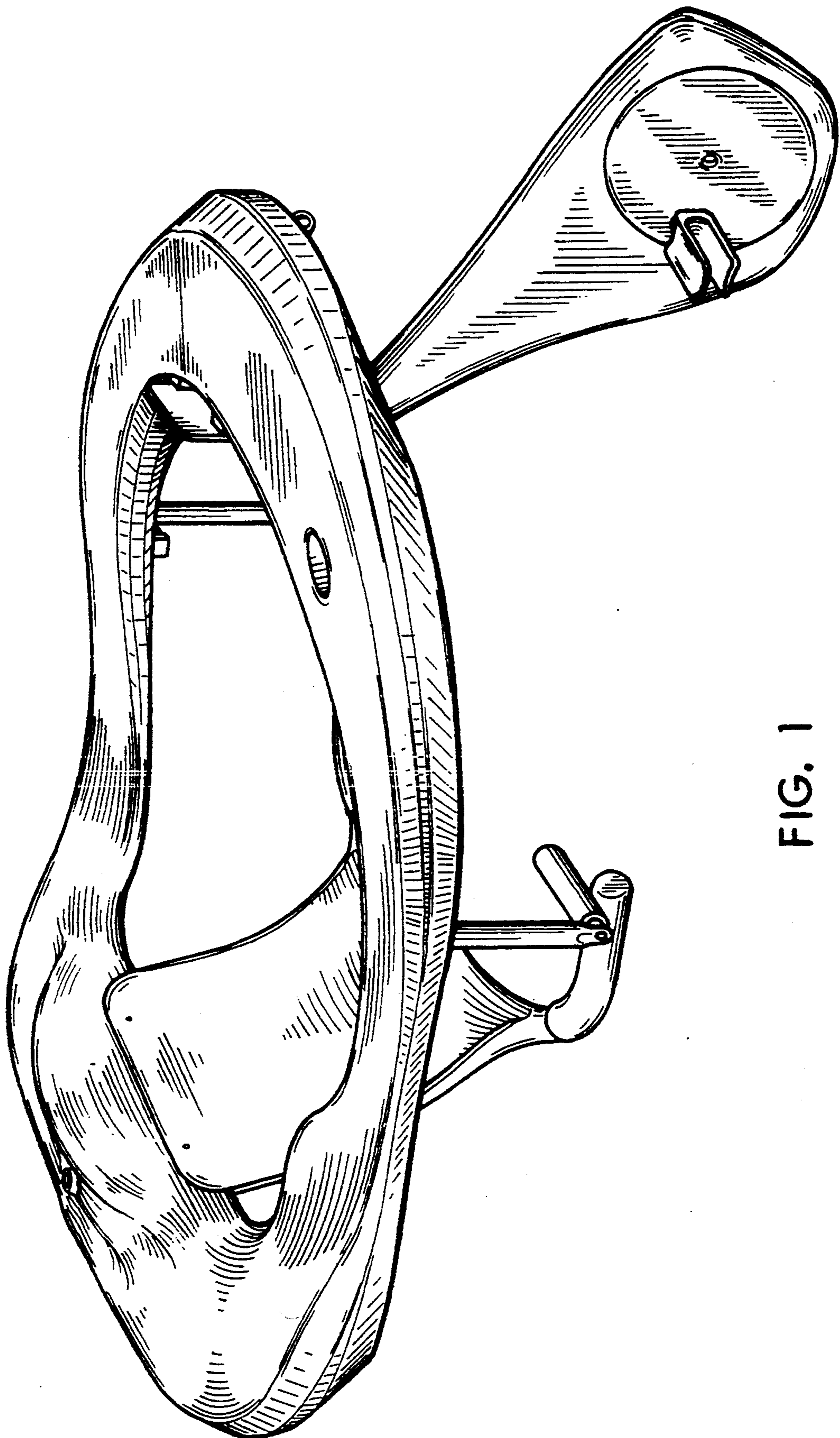


FIG. 1

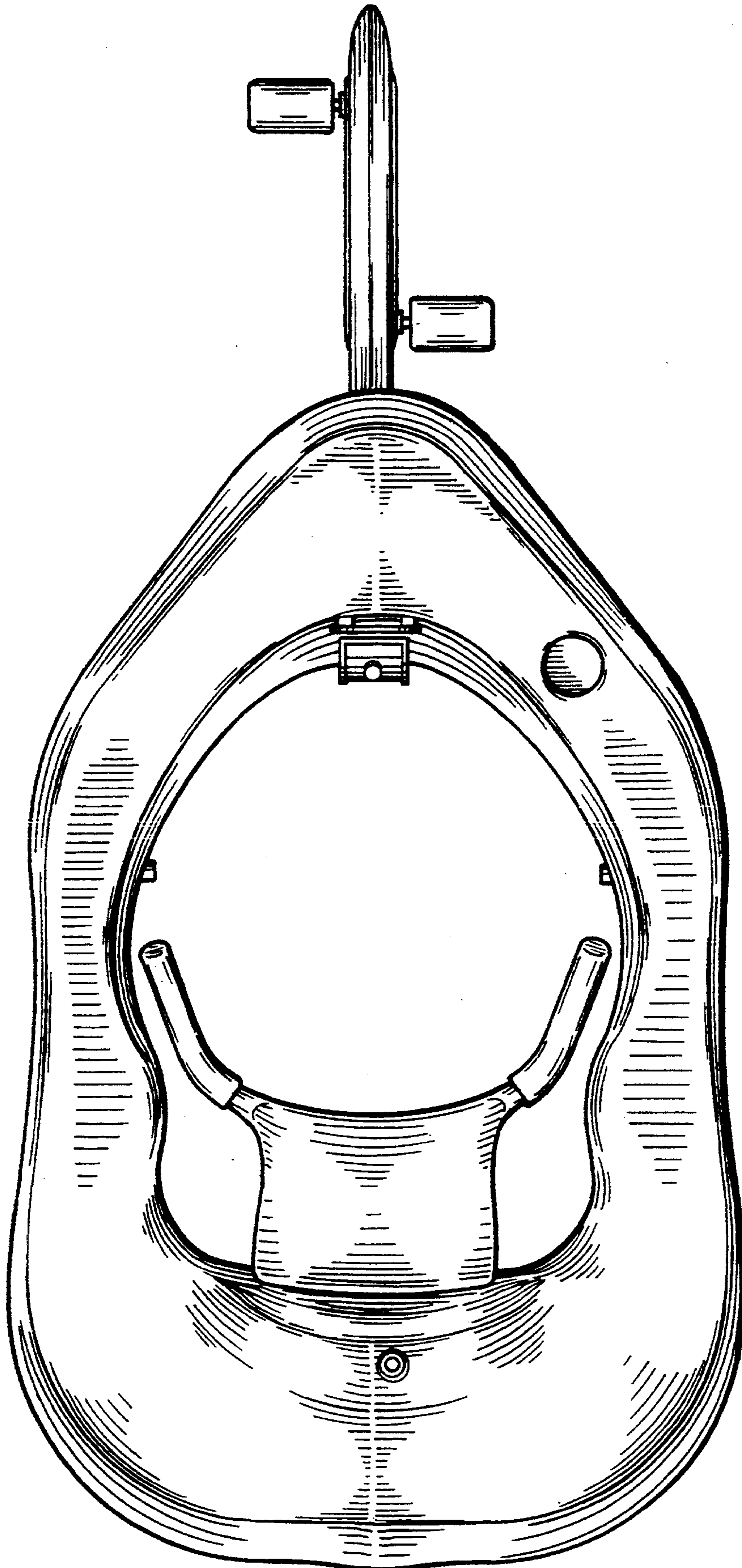


FIG. 2

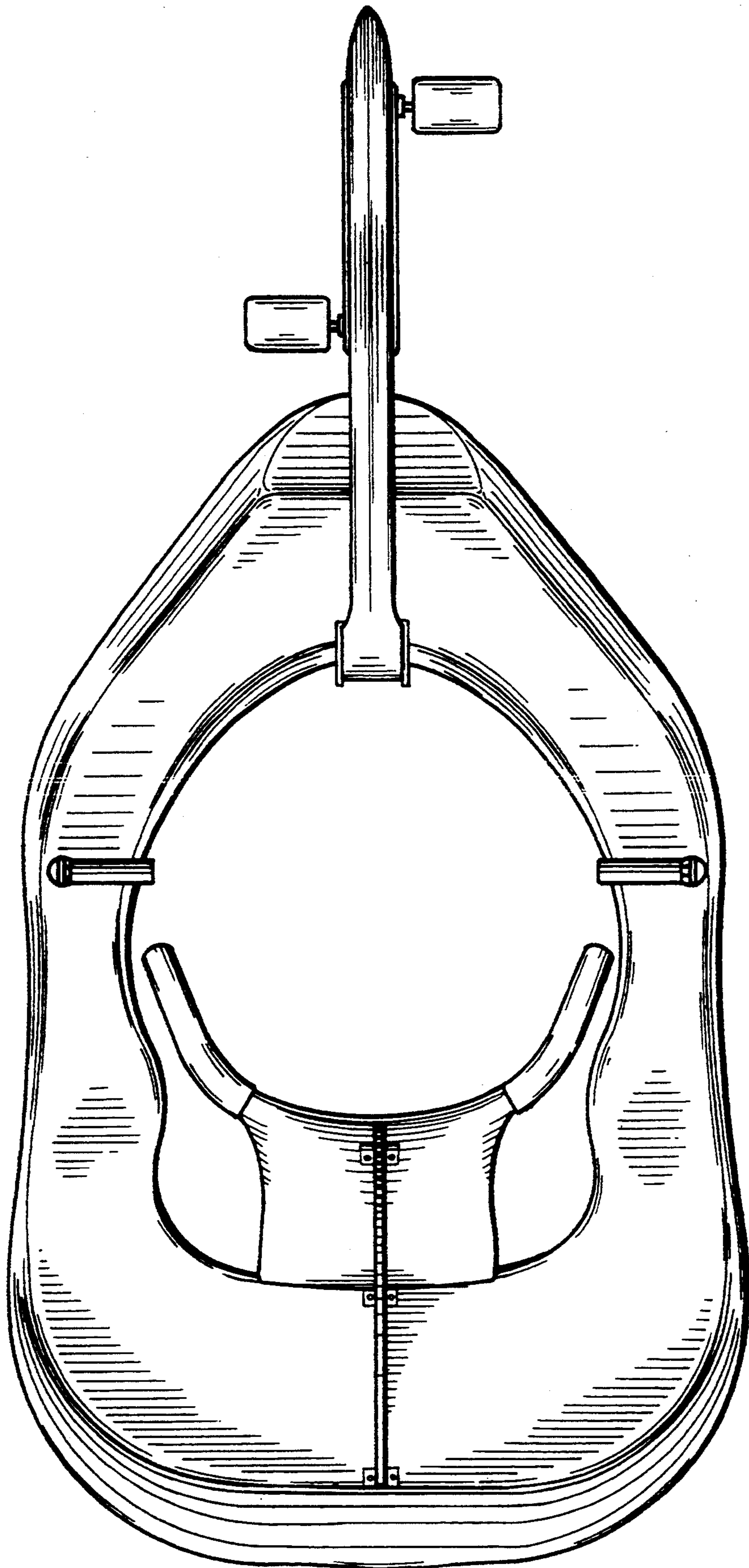


FIG. 3

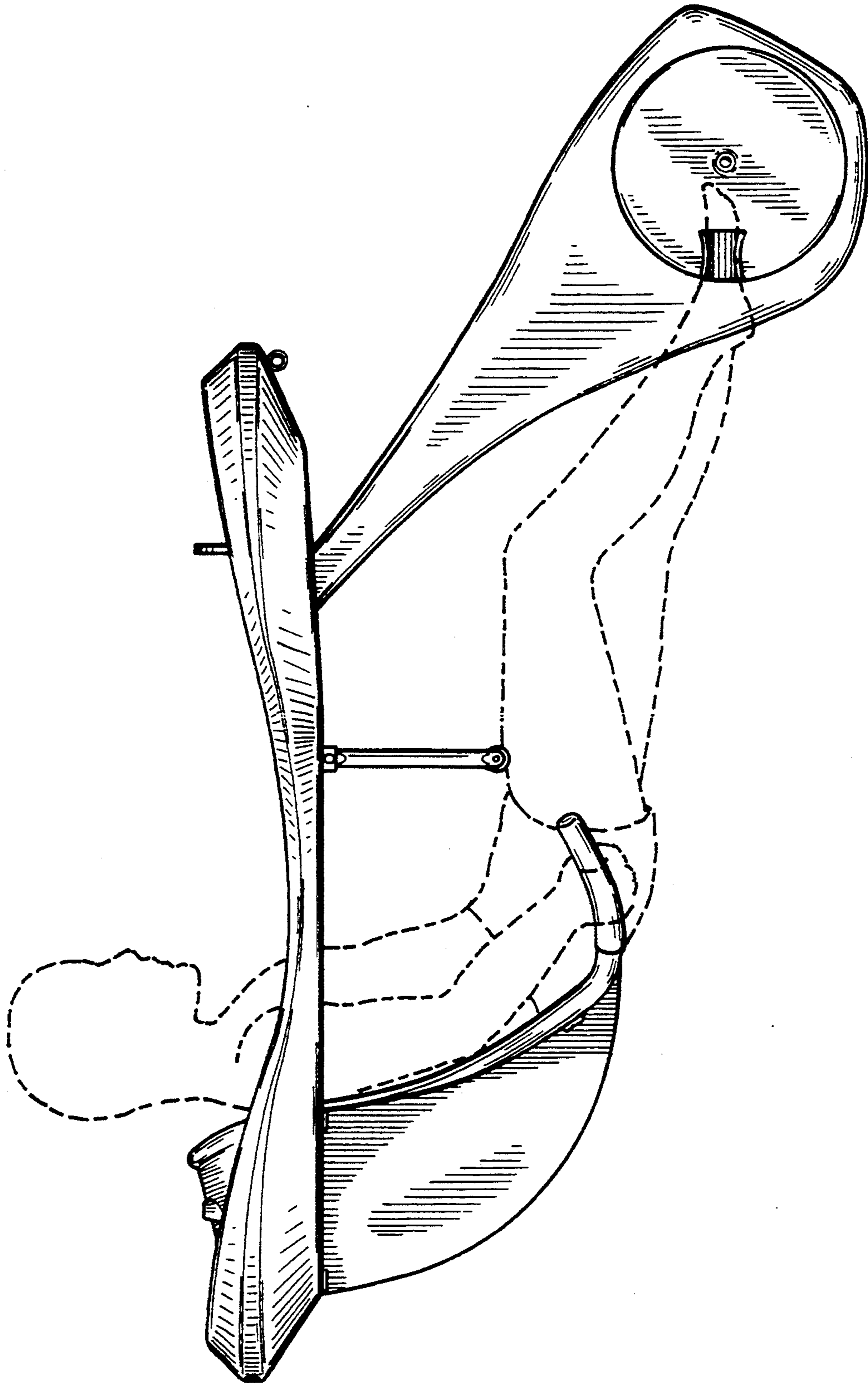


FIG. 4

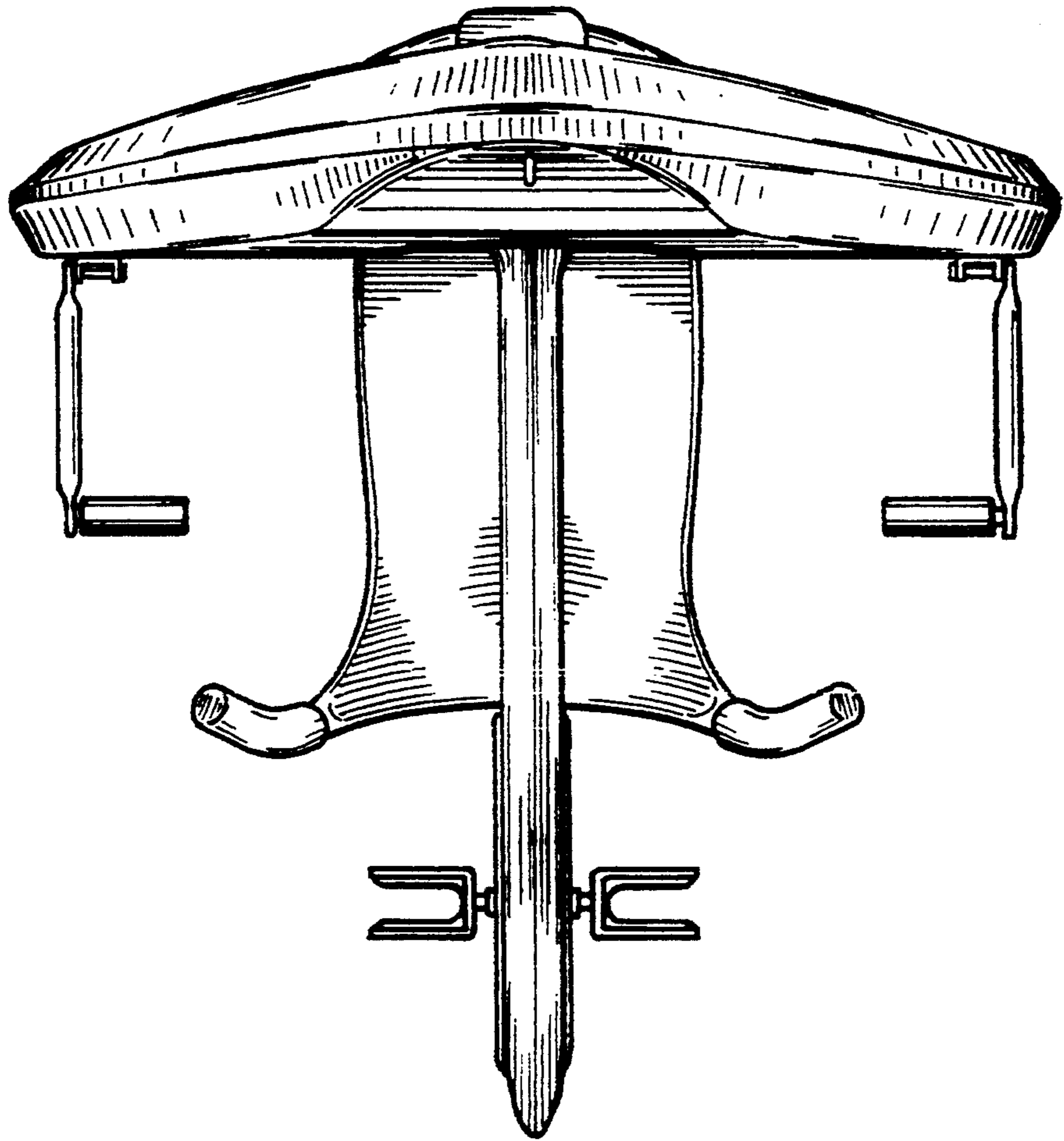


FIG. 5

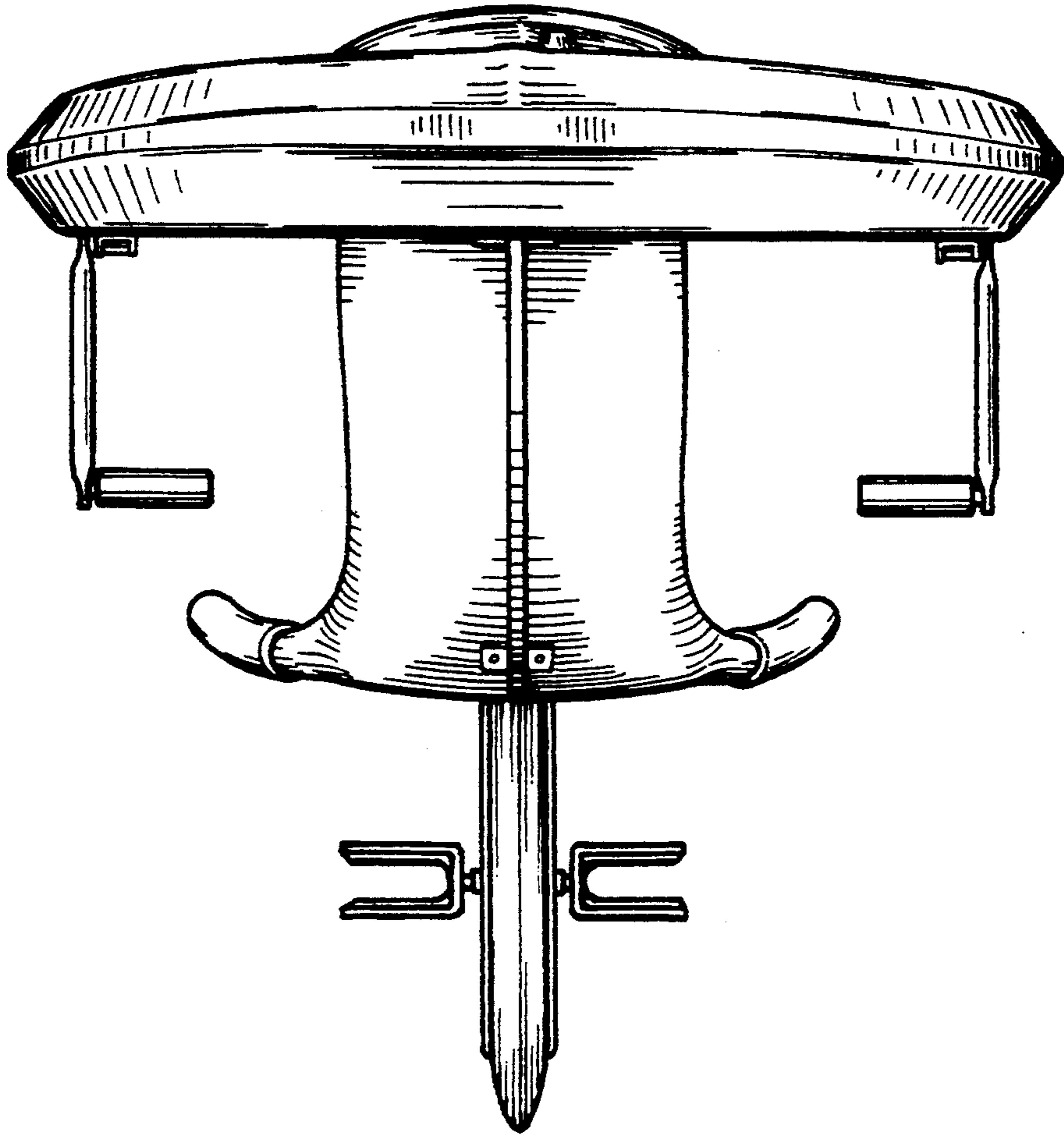


FIG. 6