



US00D356832S

# United States Patent [19]

Maxwell-Trumble et al.

[11] Patent Number: Des. 356,832

[45] Date of Patent: \*\* Mar. 28, 1995

[54] CLOTHING ATTACHABLE IMAGE HOLDER

3,468,045 9/1969 Keller et al. .... 40/1.5  
4,679,341 7/1987 Goldman ..... 40/156 X

[76] Inventors: Susan Maxwell-Trumble; Allen R. Trumble, both of 32 Oak St., Babylon, N.Y. 11702

### FOREIGN PATENT DOCUMENTS

65031 10/1946 Netherlands ..... 40/152

[\*\*] Term: 14 Years

Primary Examiner—Janice E. Seeger  
Attorney, Agent, or Firm—Galgano & Burke

[21] Appl. No.: 7,649

[22] Filed: Apr. 29, 1993

[52] U.S. Cl. .... D20/22; D11/46; D6/300

### [57] CLAIM

The ornamental design for a novel clothing attachable image holder, as shown and described.

[58] Field of Search ..... D6/300-305, D6/308-314; 40/152, 152.1, 154-157, 661, 1.5, 315, 5; D20/10, 40, 22, 23, 27, 28; 206/232, 449, 444, 470, 472; D9/426, 433; D11/43, 95, 79, 222; 24/113, 575, 580; 63/20

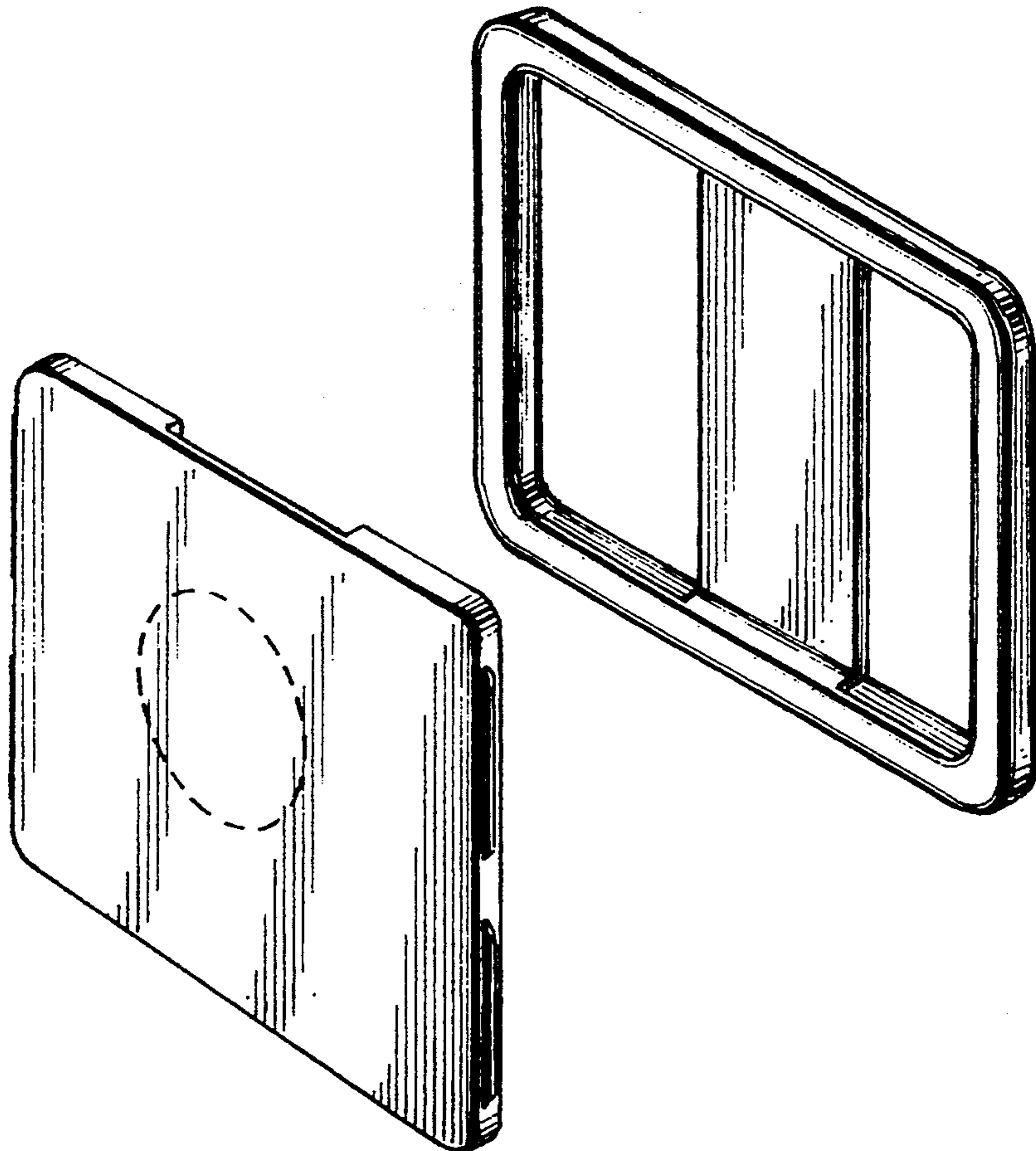
### DESCRIPTION

FIG. 1 is a front perspective view of a clothing attachable image holder, showing my new design;  
FIG. 2 is a rear perspective view;  
FIG. 3 is a left side elevational view, the right side being identical thereto;  
FIG. 4 is a front perspective view in exploded condition; and,  
FIG. 5 is a rear perspective view in exploded condition. The broken lines in FIGS. 1 and 4 are for environmental purposes only and form no part of the claimed design.

### [56] References Cited

#### U.S. PATENT DOCUMENTS

D. 163,932 7/1951 Byck ..... D6/309  
1,710,429 4/1929 Mobley ..... 40/152  
2,177,406 10/1939 Hacker ..... 40/1.5



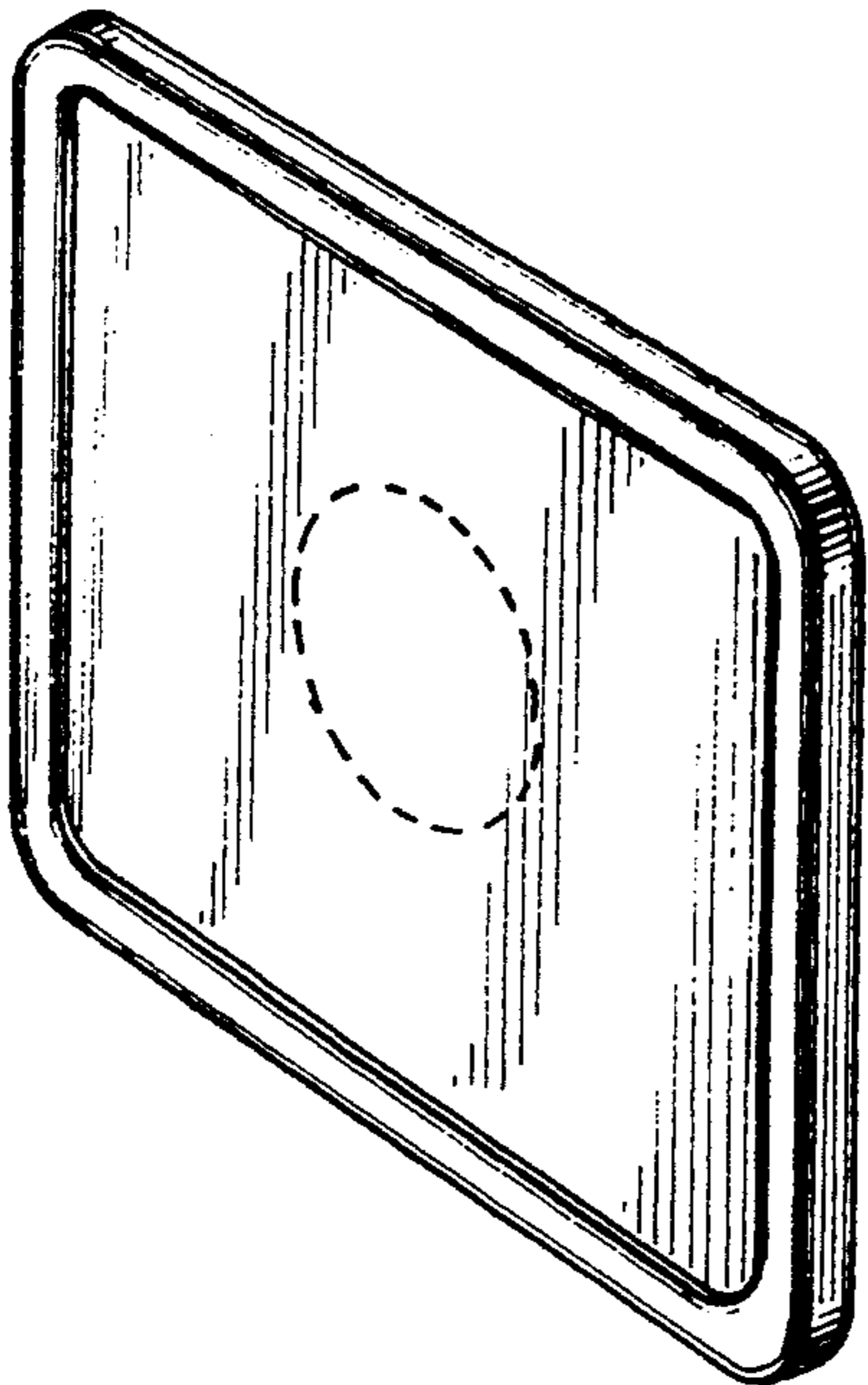


Fig. 1

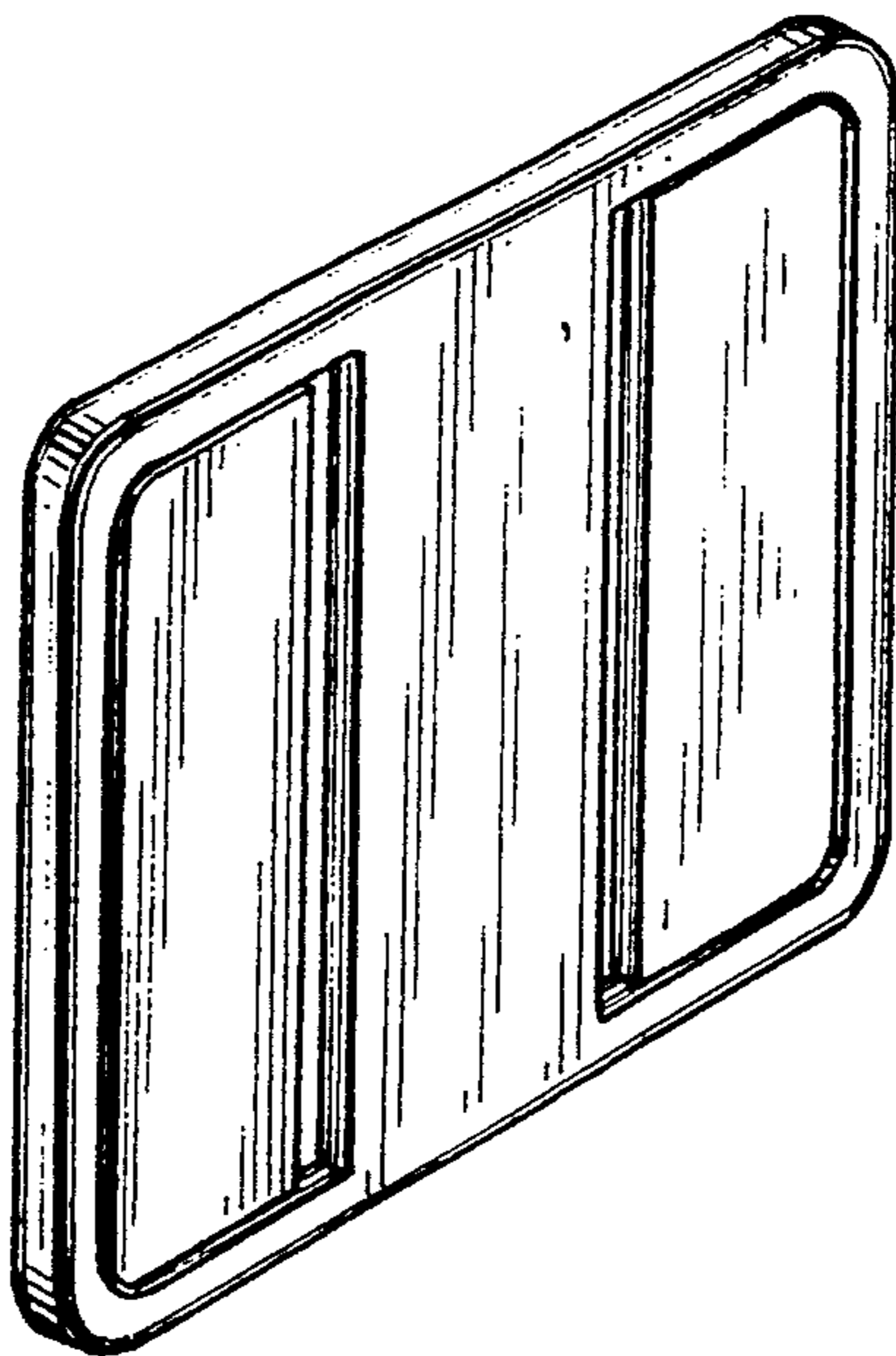


Fig. 2



Fig. 3

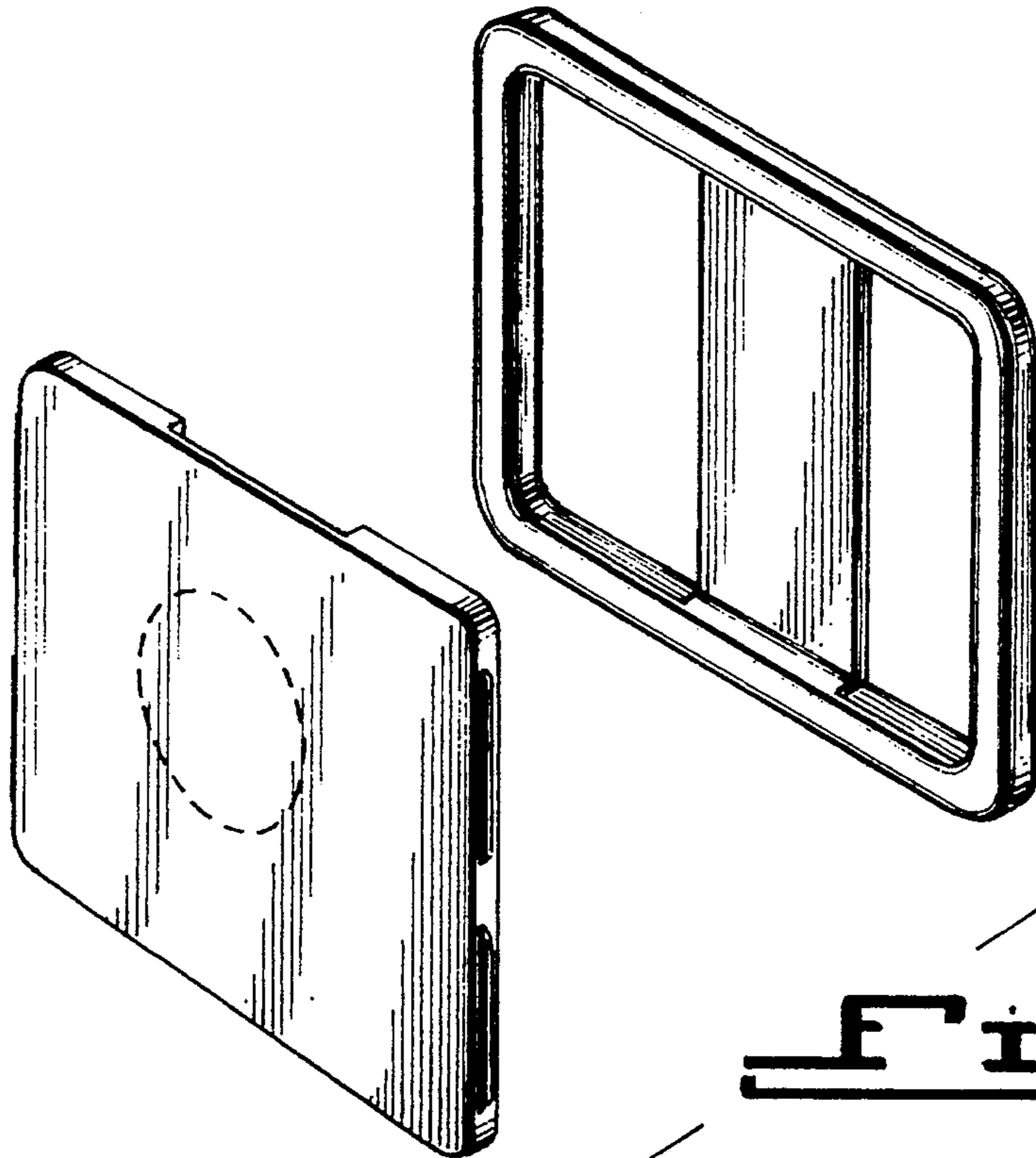


Fig. 4

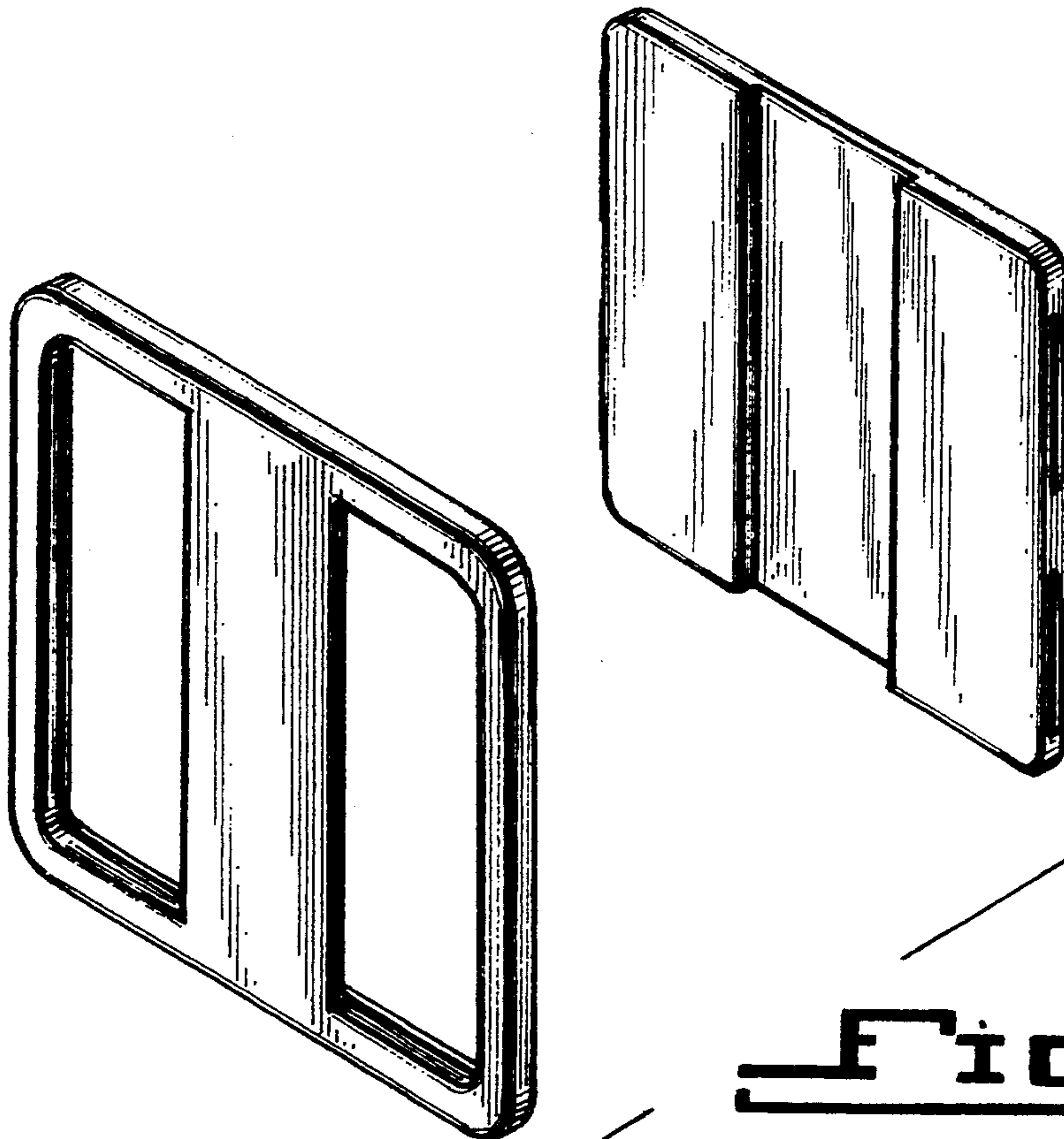


Fig. 5