



US00D356829S

# United States Patent [19]

[11] Patent Number: **Des. 356,829**

Russomano et al.

[45] Date of Patent: \*\* Mar. 28, 1995

[54] **HOLDER FOR WRITING INSTRUMENTS AND SUPPLIES**

[75] Inventors: **Michael P. Russomano**, Allentown; **Charles W. Dieterich**, Brodheadsville, both of Pa.; **Andrew I. Bergman**, Mountain Lakes, N.J.

[73] Assignee: **Binney & Smith Inc.**, Easton, Pa.

[\*\*] Term: **14 Years**

[21] Appl. No.: **17,846**

[22] Filed: **Jan. 24, 1994**

[52] U.S. Cl. .... **D19/77; D19/85; D7/701**

[58] Field of Search ..... **D9/341; D7/701; D19/35, D19/36, 65, 75, 77, 78, 81-85, 95, 99, 100; 206/214, 224, 371; 40/323; 211/69.1-69.9**

[56] **References Cited**

**U.S. PATENT DOCUMENTS**

D. 49,875	11/1916	Fluicino et al. ....	D7/701 X
D. 70,899	8/1926	Salz .....	D19/85 X
D. 202,393	9/1965	Wallerstein et al. ....	D19/85 X
D. 236,341	8/1975	Leedy .....	D19/77 X
D. 253,562	12/1979	Evans .....	D19/85 X
D. 277,335	1/1985	Lieberman .....	D3/44
D. 279,385	6/1985	Lieberman .....	D19/77
D. 283,163	3/1986	Pandya .....	D19/75 X
D. 296,448	6/1988	Evenson .....	D19/77
D. 297,439	8/1988	Rabig .....	D19/85

D. 320,909	10/1991	Szablak et al. ....	D9/341
D. 329,876	9/1992	Breen .....	D19/75
D. 330,045	10/1992	Dieterich et al. ....	D19/36
D. 331,258	11/1992	Tarozzi .....	D19/35
D. 332,468	1/1993	Tarozzi .....	D19/85
D. 334,946	4/1993	Tarozzi .....	D19/77
D. 338,496	8/1993	Tarozzi .....	D19/85
4,070,782	1/1978	Vasallo .....	206/84 X
5,103,969	4/1992	Tarozzi .....	206/1.7
5,190,151	3/1993	Dieterich .....	206/214
5,248,030	9/1993	Tarozzi .....	206/1.7

**OTHER PUBLICATIONS**

Crayola®Caddy—Color Photocopy of Binney & Smith Inc. 1984 Catalog, p. 27.

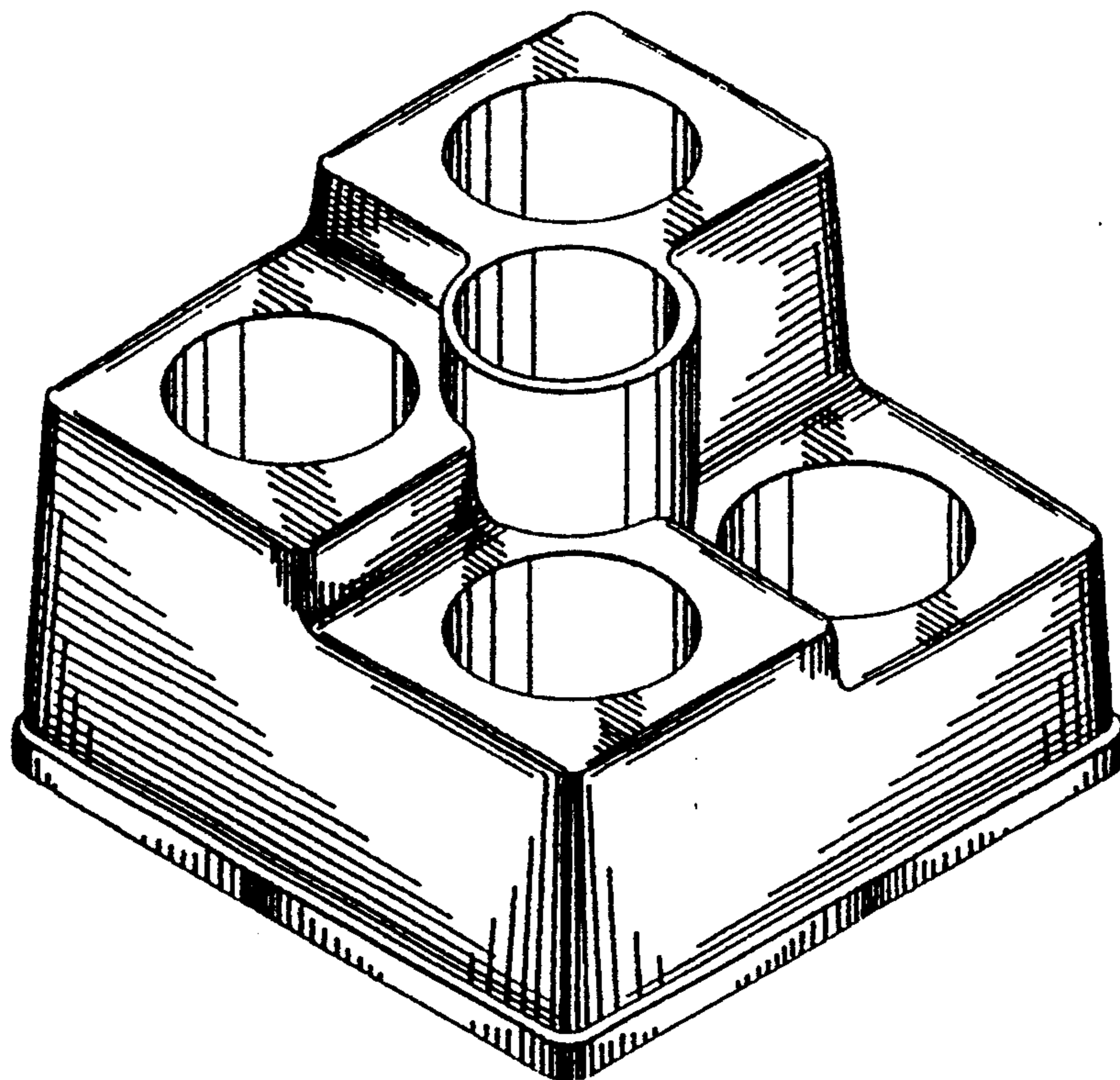
*Primary Examiner*—Martie Thompson  
*Attorney, Agent, or Firm*—Leydig, Voit & Mayer, Ltd.

[57] **CLAIM**

The ornamental design for a holder for writing instruments and supplies, as shown and described.

**DESCRIPTION**

FIG. 1 is a left front perspective view of the holder for writing instruments and supplies; FIG. 2 is a top plan view thereof; FIG. 3 is a front elevational view thereof; FIG. 4 is a left elevational view thereof; FIG. 5 is a rear elevational view thereof; FIG. 6 is a right elevational view thereof; and, FIG. 7 is a bottom elevational view thereof.



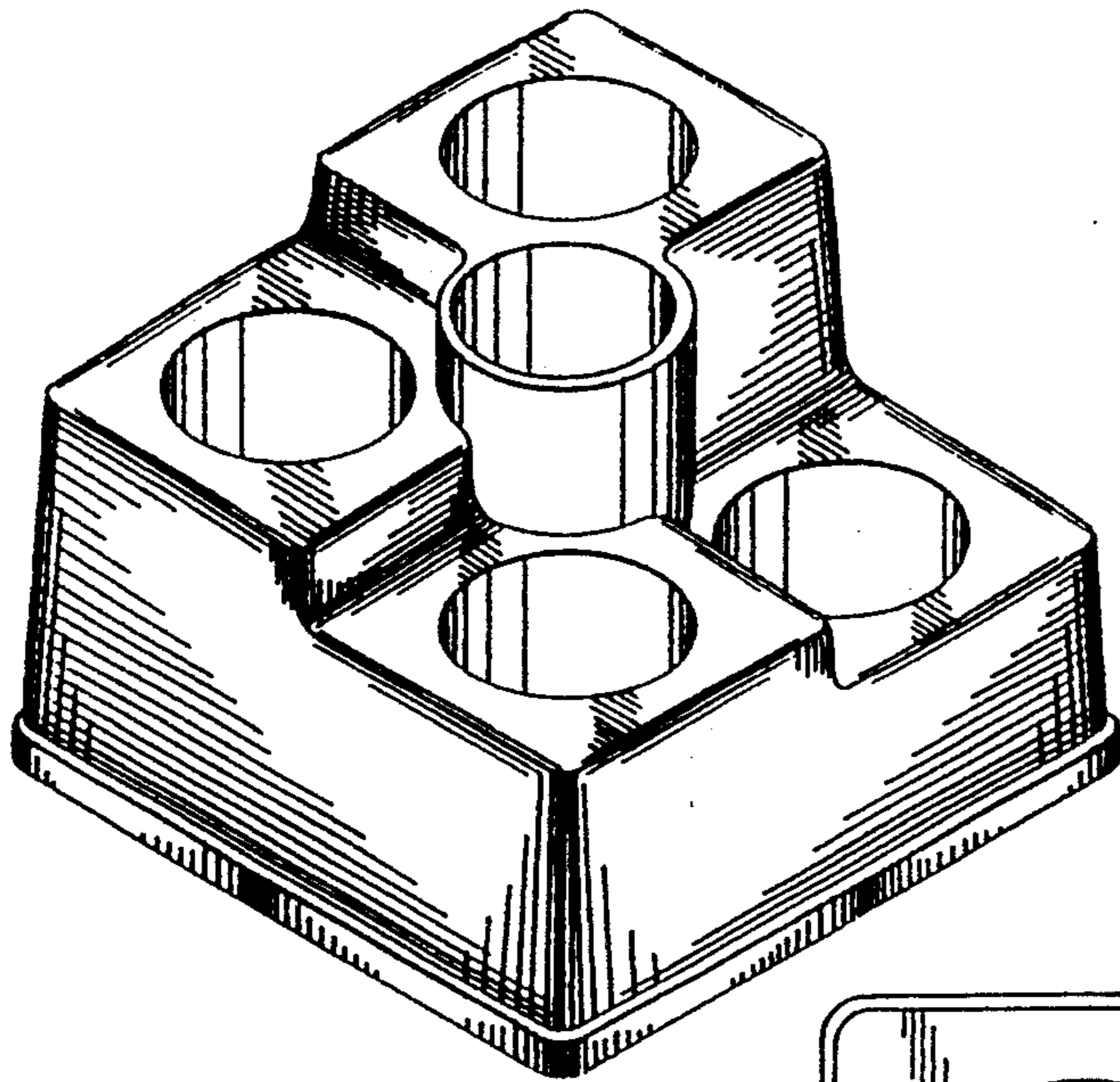


FIG. 1

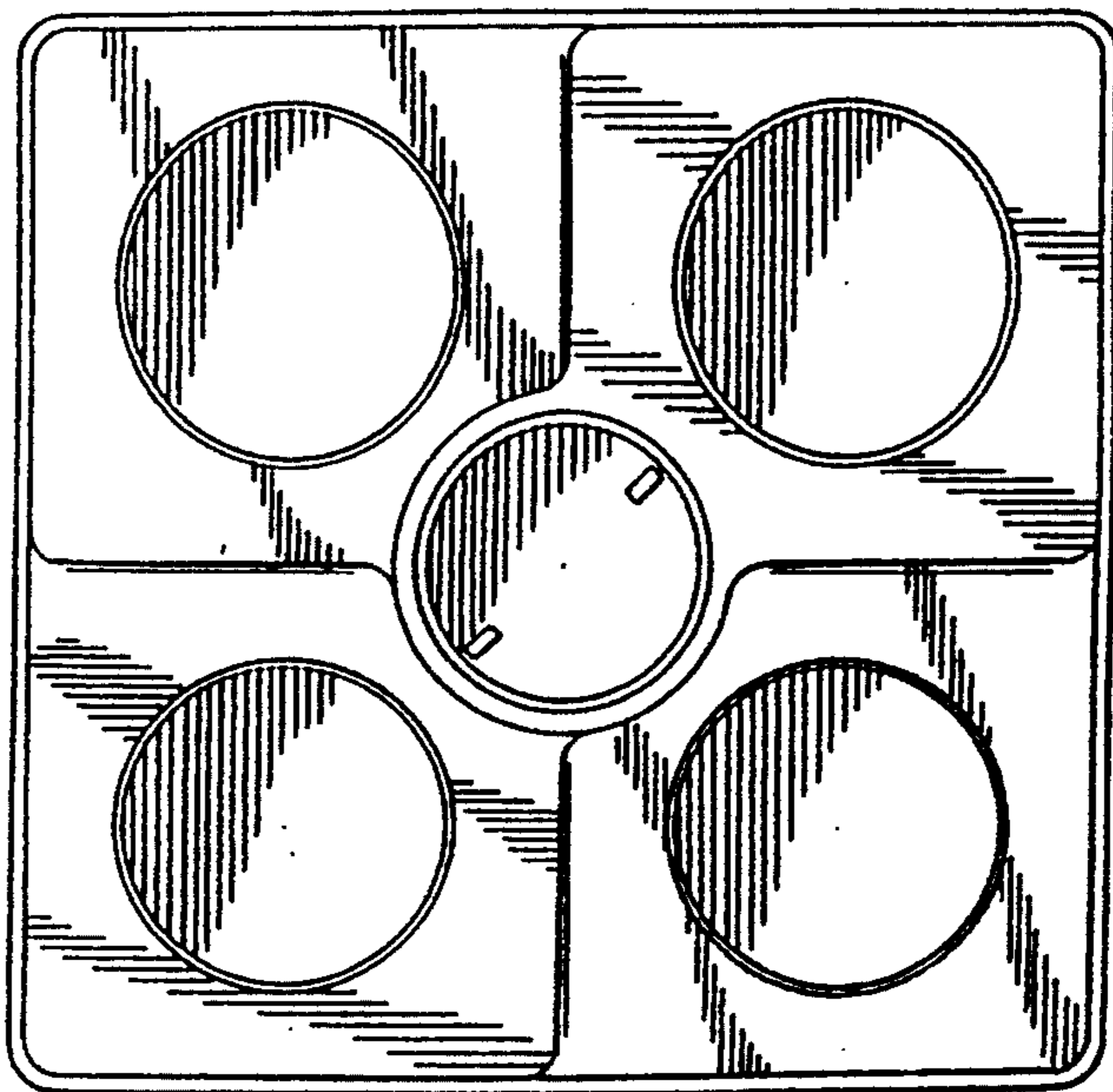


FIG. 2

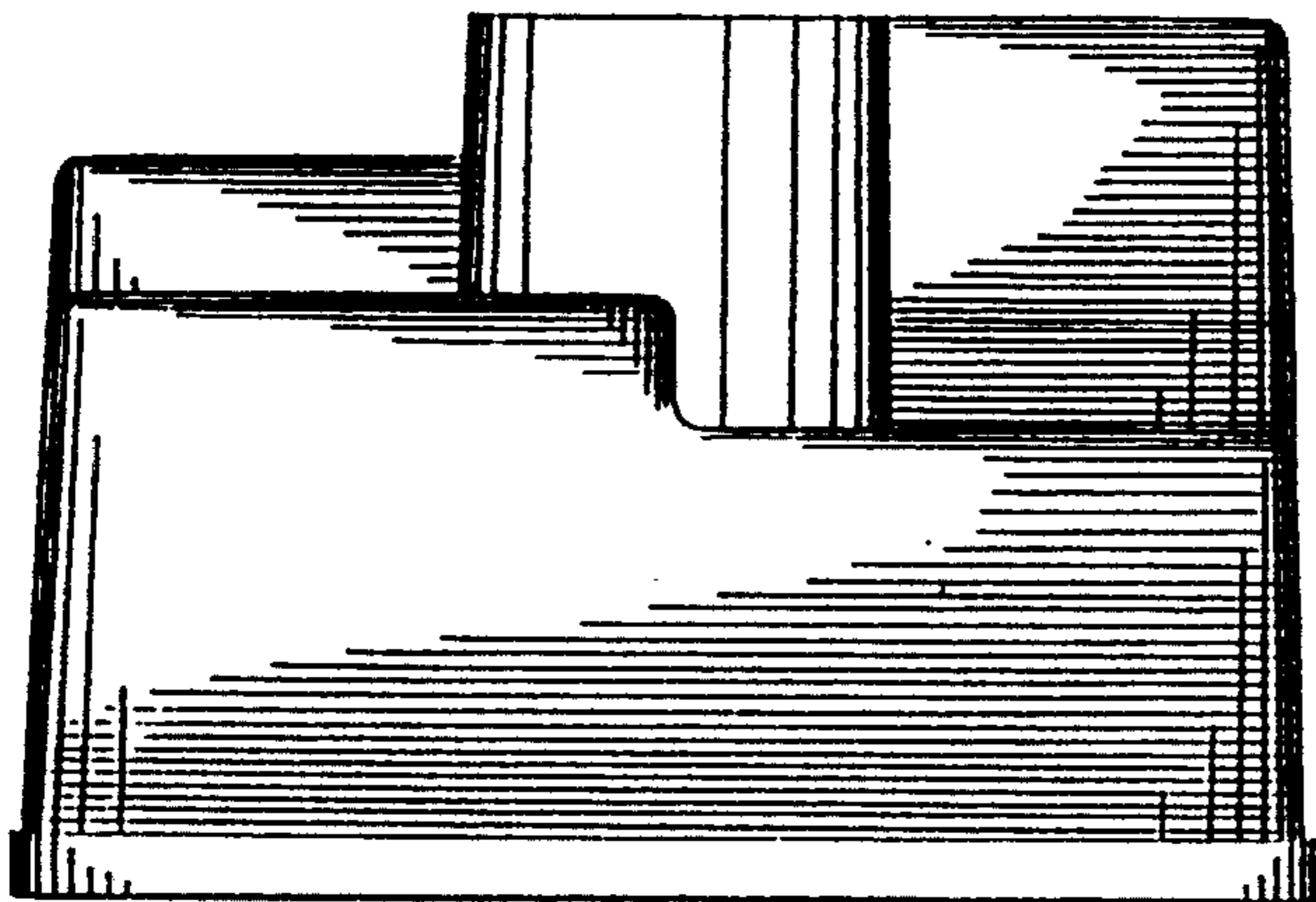


FIG. 3



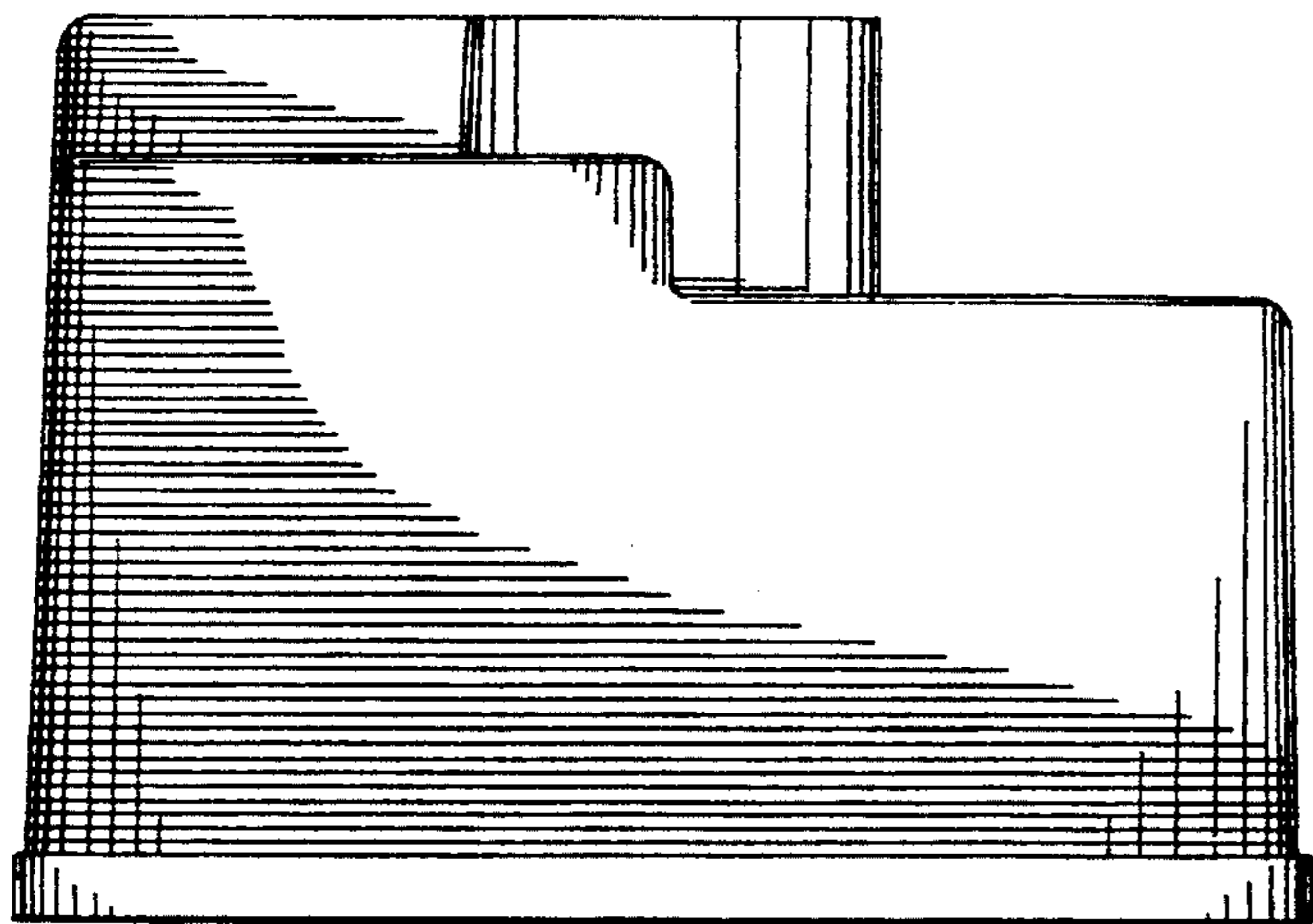


FIG. 4

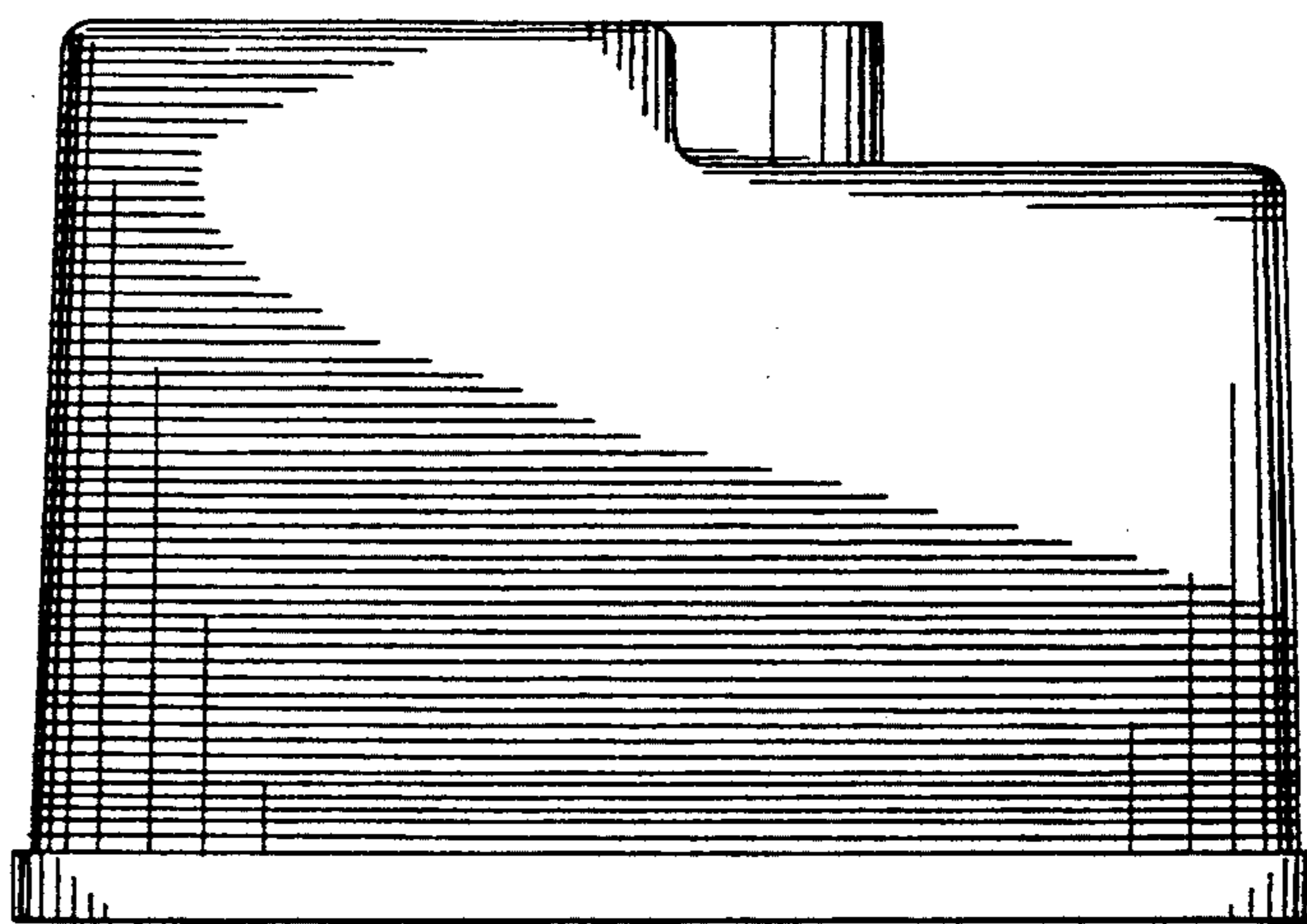


FIG. 5

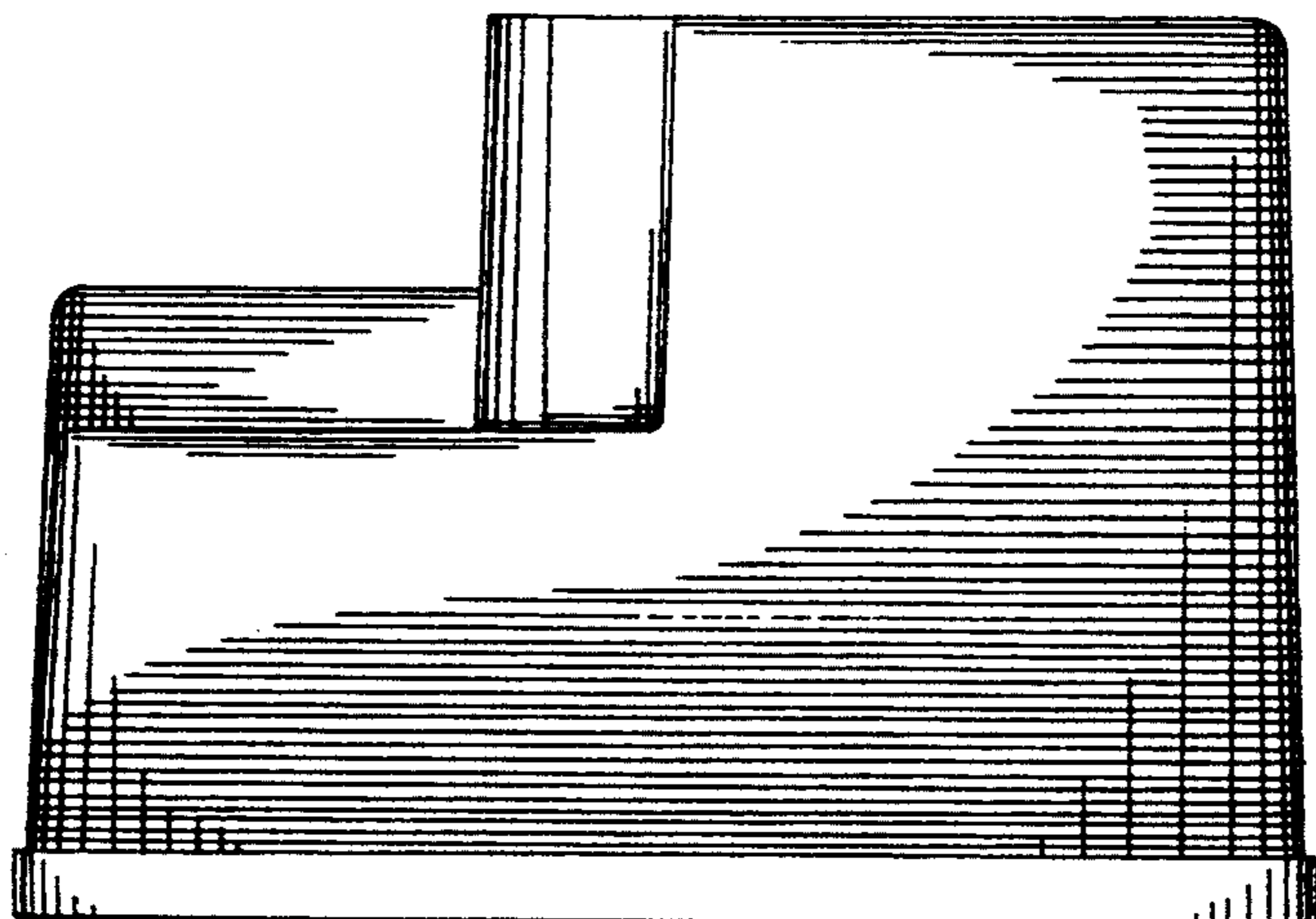


FIG. 6

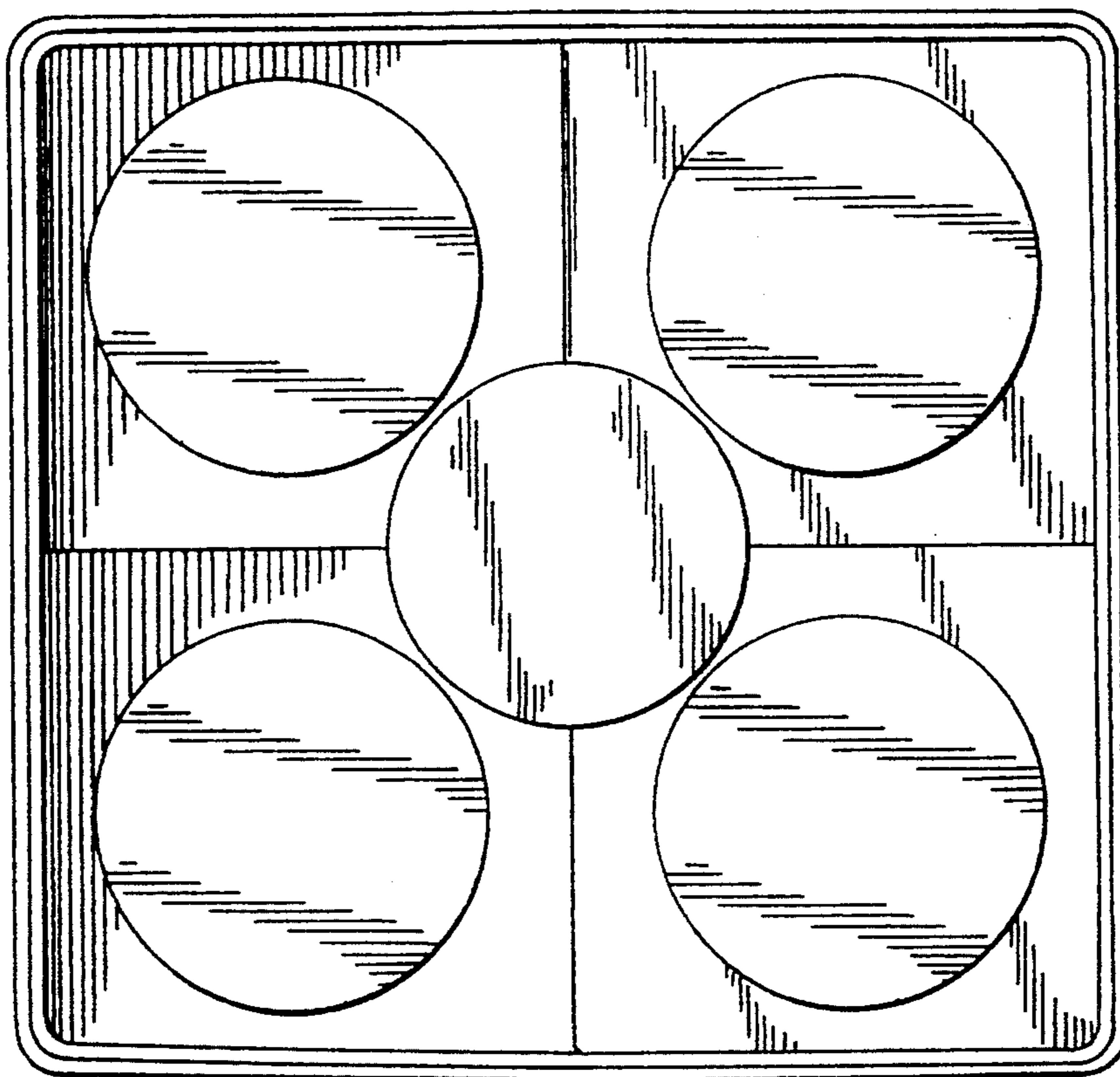


FIG. 7