



US00D356823S

United States Patent [19]

[11] Patent Number: Des. 356,823

Tarozzi

[45] Date of Patent: ** Mar. 28, 1995

[54] COMBINED PORTABLE DRAWING SURFACE AND SUPPLY STORAGE UNIT

[75] Inventor: **Richard A. Tarozzi**, Gales Ferry, Conn.

[73] Assignee: **Binney & Smith Inc.**, Easton, Pa.

[**] Term: **14 Years**

[21] Appl. No.: **13,570**

[22] Filed: **Sep. 27, 1993**

Related U.S. Application Data

[63] Continuation-in-part Ser. No. 670, Jan. 5, 1993, U.S. Pat. No. 5,284, 455.

[52] U.S. Cl. **D19/36; D21/59; D19/52; D19/88**

[58] Field of Search **D19/35, 36, 52, 59-63, D19/75, 77, 78, 81-85, 86, 88; D3/206; 434/81, 85, 86, 90, 419, 428, 430, 432**

References Cited

U.S. PATENT DOCUMENTS

D. 38,127	7/1906	Whiting	D19/52
173,269	2/1876	Chinnock	434/408
193,464	7/1877	Shepherd	434/413 X
D. 194,517	2/1963	Banks .	
D. 196,974	11/1963	Korbos	D25/1
D. 232,231	7/1974	Langieri	D19/7
D. 233,486	10/1974	Gonzalez	D28/3
D. 236,556	8/1975	DiPaola et al.	D3/2
D. 250,437	12/1978	Korpijaakko et al.	D6/5
D. 251,213	2/1979	Rodin et al.	D87/1 R
D. 255,251	6/1980	Hansen et al.	D19/88
D. 257,994	1/1981	Kroll	D21/59
D. 261,903	11/1981	Mulder	D19/88
D. 262,899	2/1982	Kroll	D21/59
D. 270,739	9/1983	Pearson	D19/78
D. 270,740	9/1983	Pearson	D19/78
D. 279,489	7/1985	Mak	D21/59
D. 282,792	3/1986	Zinbarg	D6/406
D. 293,739	1/1988	Nadeau	D3/73
D. 293,740	1/1988	Nadeau	D3/73
D. 313,819	1/1991	Craft, Jr. et al.	D19/88
D. 317,017	5/1991	Kheng	D19/78
D. 317,446	6/1991	Vossoughi et al.	D19/113
D. 318,481	7/1991	Milne	D19/7
D. 325,939	5/1992	Kroll	D21/59
D. 327,498	6/1992	Watson et al.	D19/52
D. 330,045	10/1992	Dietterich et al.	D19/36
D. 344,975	3/1994	Tarozzi	D19/36
D. 345,177	3/1994	Mak	D19/52
1,559,665	11/1925	Beery et al.	434/88

2,257,005	9/1941	Grosse	434/88 X
3,352,616	11/1967	Linger	312/231
3,562,929	2/1971	Emore, Jr.	35/60
3,768,177	10/1973	Thomas	35/27
4,340,372	7/1982	Brassine	434/88
4,669,984	6/1987	Jones et al.	434/85
4,817,935	4/1989	Varga	272/1 A
4,912,849	4/1990	MacCarthy	33/1 AA
5,163,845	11/1992	Blassingame	434/408
5,163,846	11/1992	Lee	434/408

OTHER PUBLICATIONS

Gift and Tableware Reporter, Sep. 7, 1964, p. 25 see "Clip Caddy" with drawer at lower left.

Color photocopy of photograph of Binney & Smith Inc., Coloring Tote, 1984.

Binney & Smith Inc., color photocopy from Crayola Consumer Products catalogue of Crayola Draw-N-Do Desk.

Rose Art Industries, Inc., Directions for "Teenage Mutant Ninja Turtles Light Art" toy. ©1991.

Five photographs of Rose Art Industries, Inc., "Teenage Mutant Ninja Turtles Light Art" toy ©1991.

Binney & Smith Inc., color photocopy from Crayola Consumer Products catalogue of Crayola Sketch-N-Go.

Primary Examiner—Martie Thompson

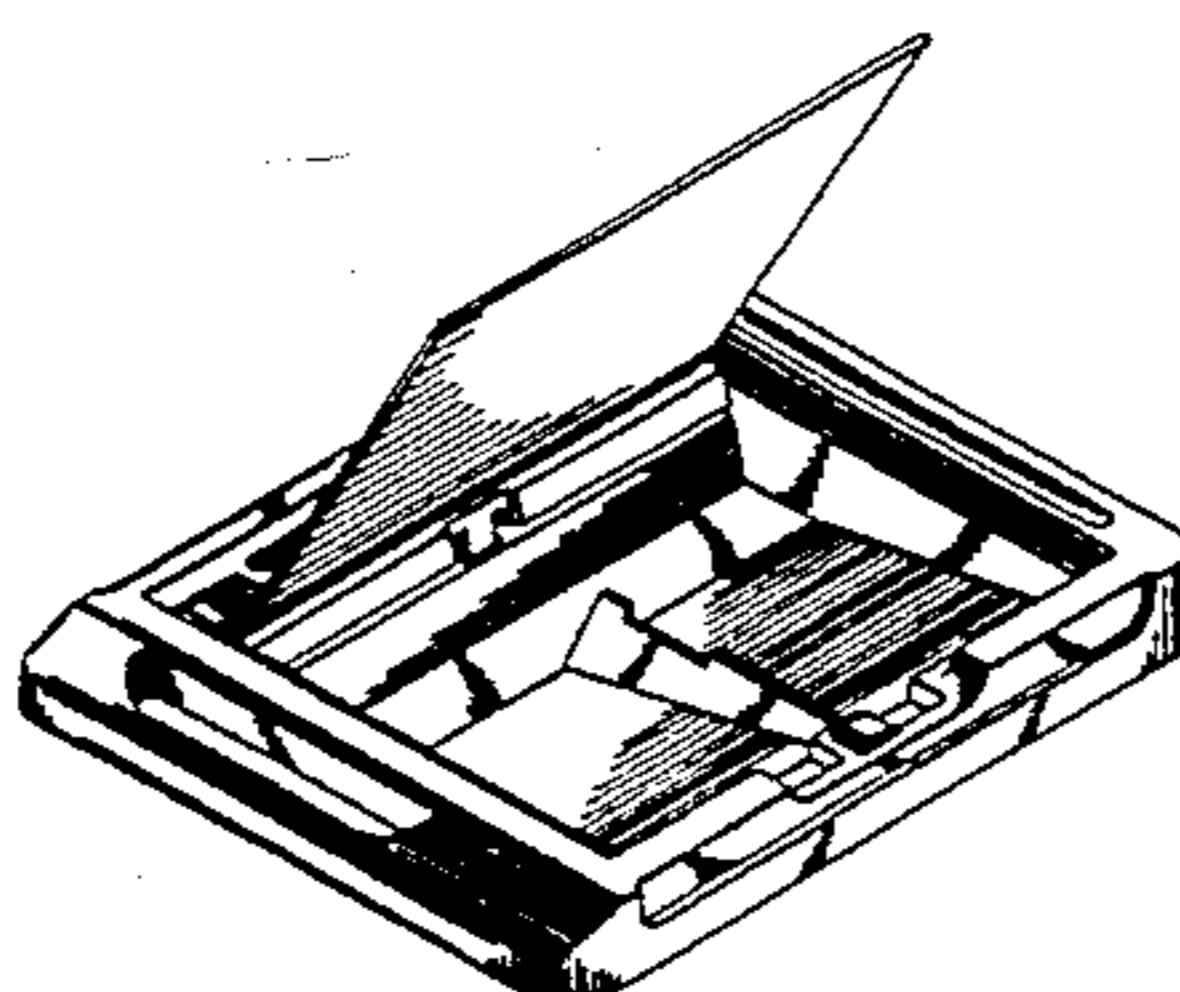
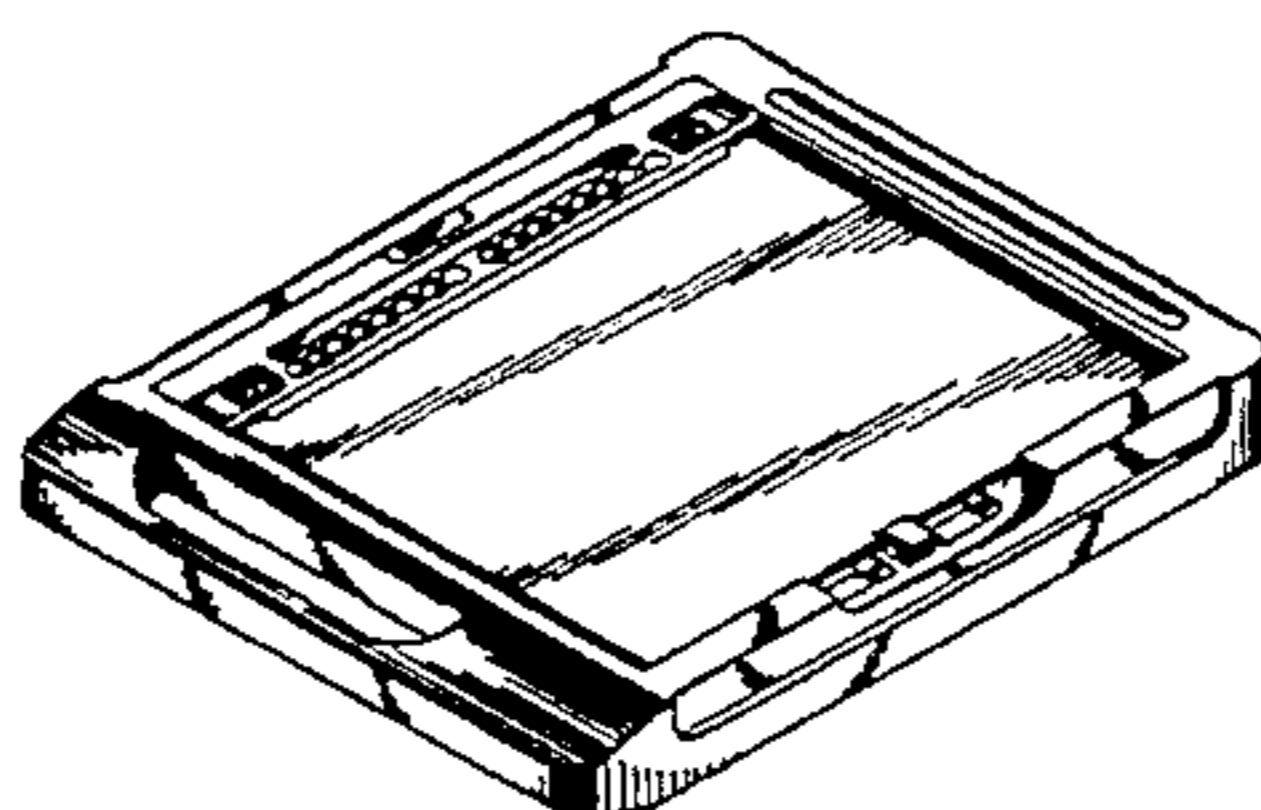
Attorney, Agent, or Firm—Leydig, Voit & Mayer, Ltd.

[57] CLAIM

The ornamental design for a combined portable drawing surface and supply storage unit, as shown and described.

DESCRIPTION

FIG. 1 is a left front perspective view of the combined portable drawing surface and supply storage unit; FIG. 2 is a left side elevational view thereof; FIG. 3 is a right side elevational view thereof; FIG. 4 is a top plan view thereof; FIG. 5 is a front elevational view thereof; FIG. 6 is a rear elevational view thereof; FIG. 7 is a bottom plan view thereof; FIG. 8 is a left front perspective view thereof with the working surface in a raised position; and, FIG. 9 is an exploded view of the portable drawing surface.



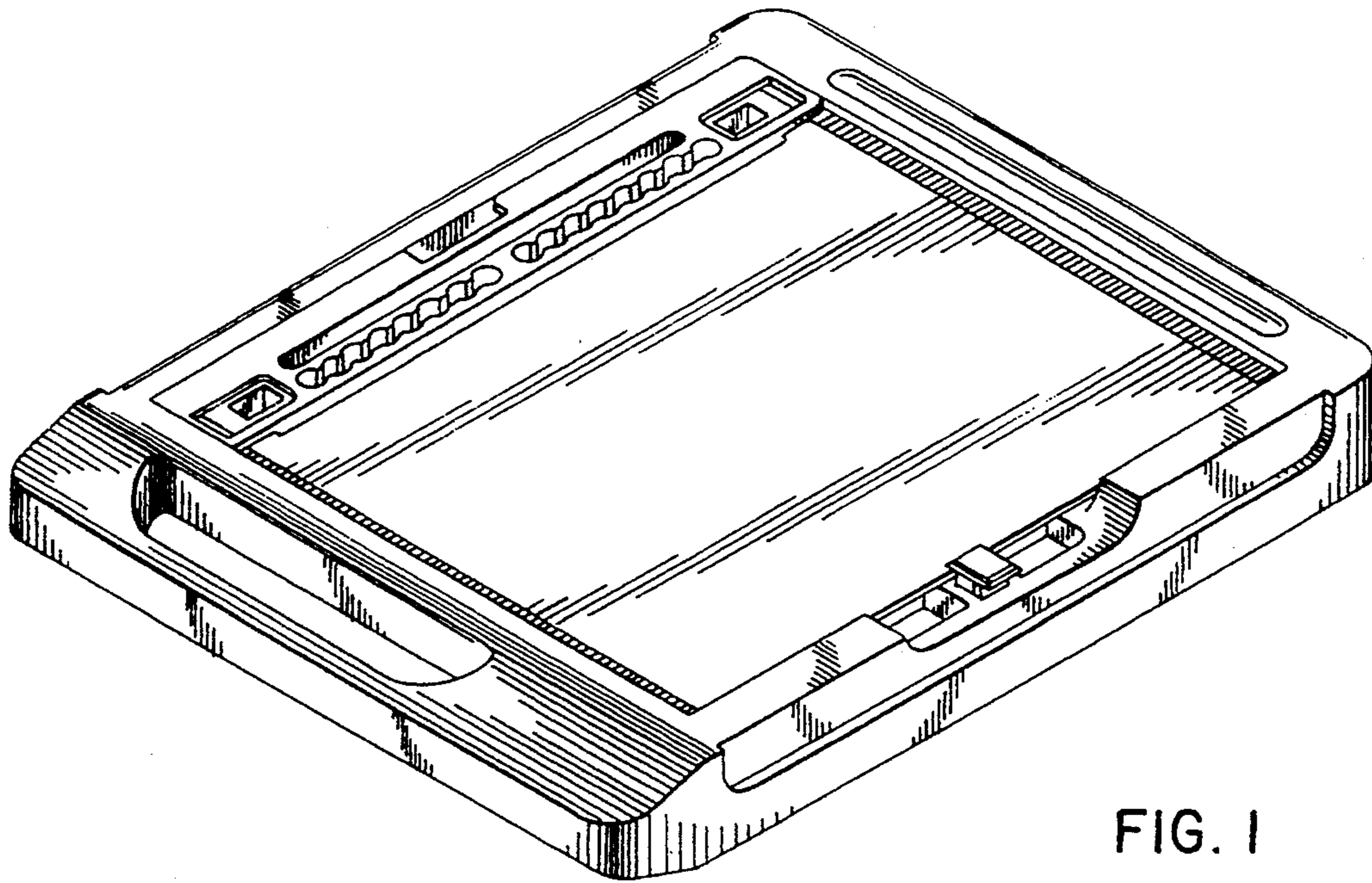


FIG. 1

FIG. 2

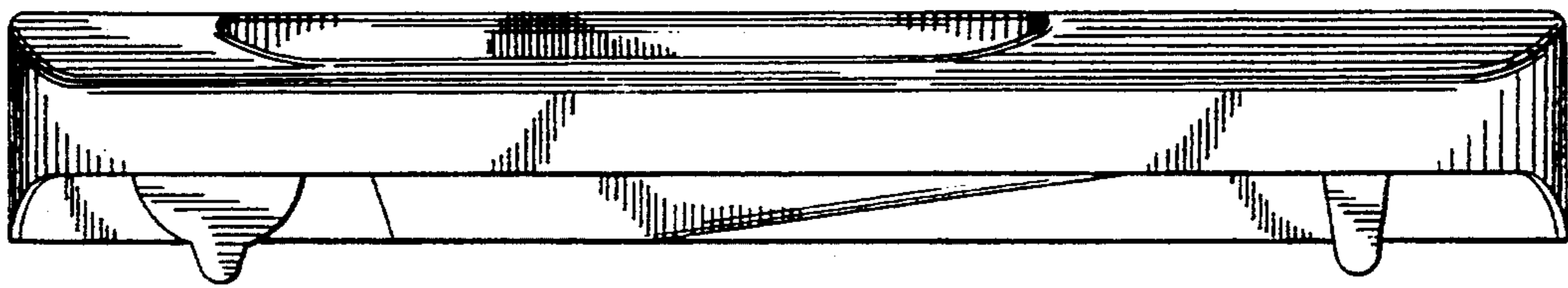
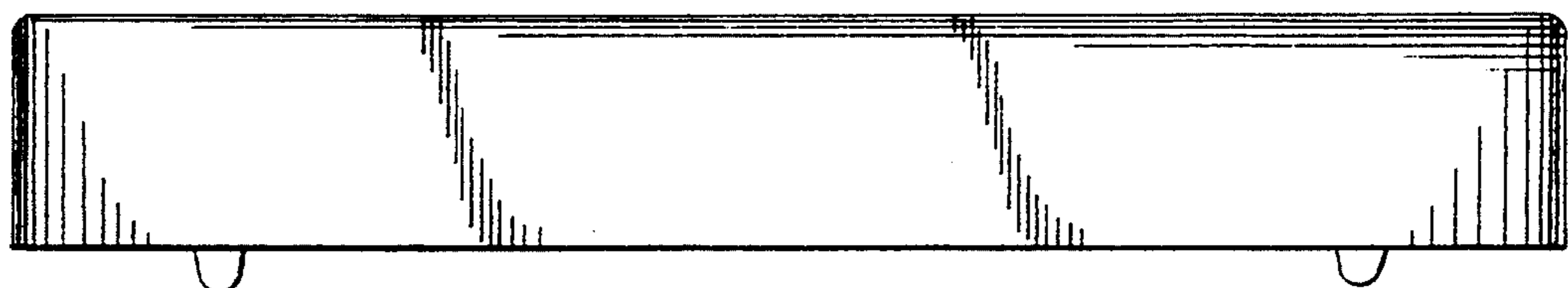


FIG. 3



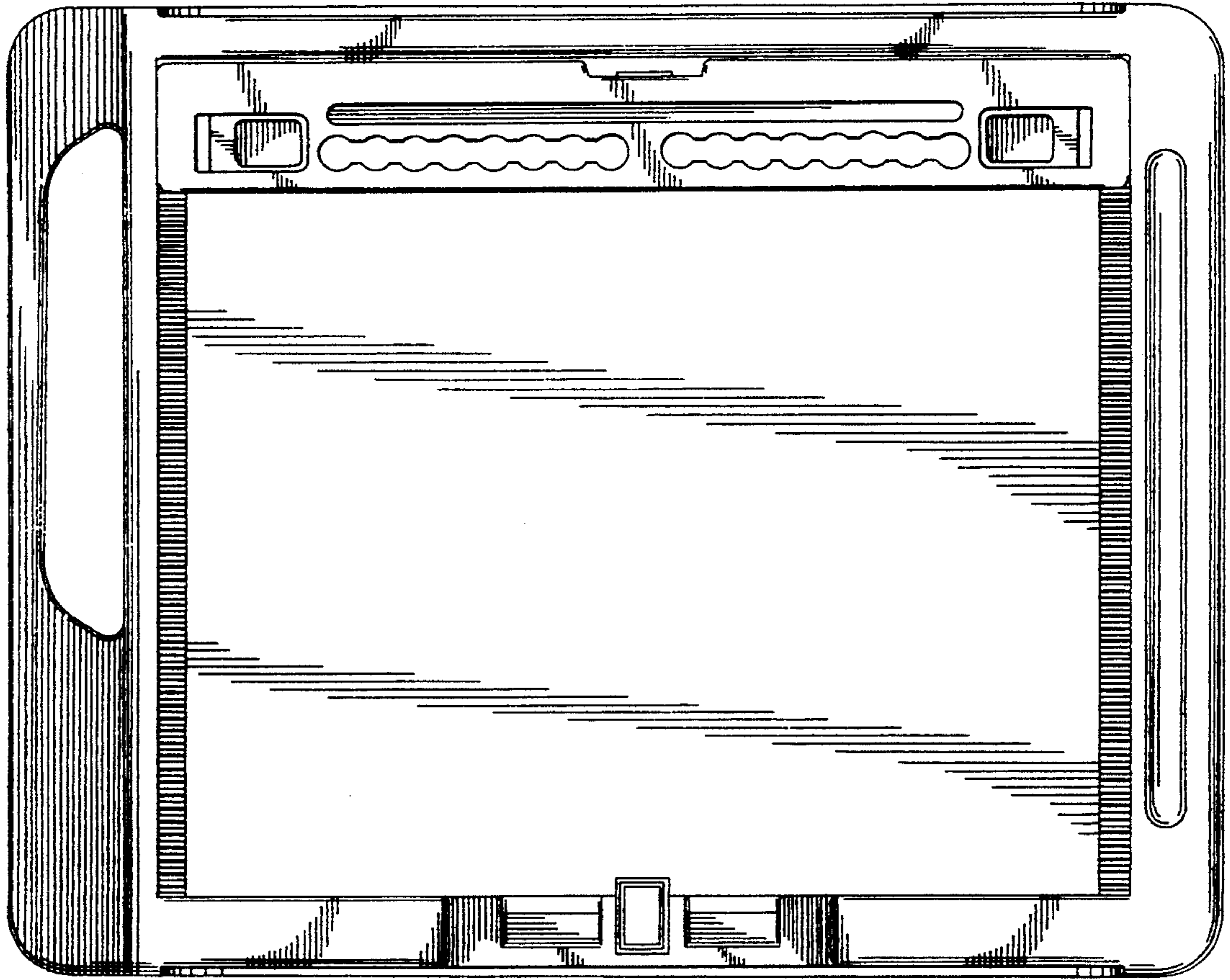


FIG. 4

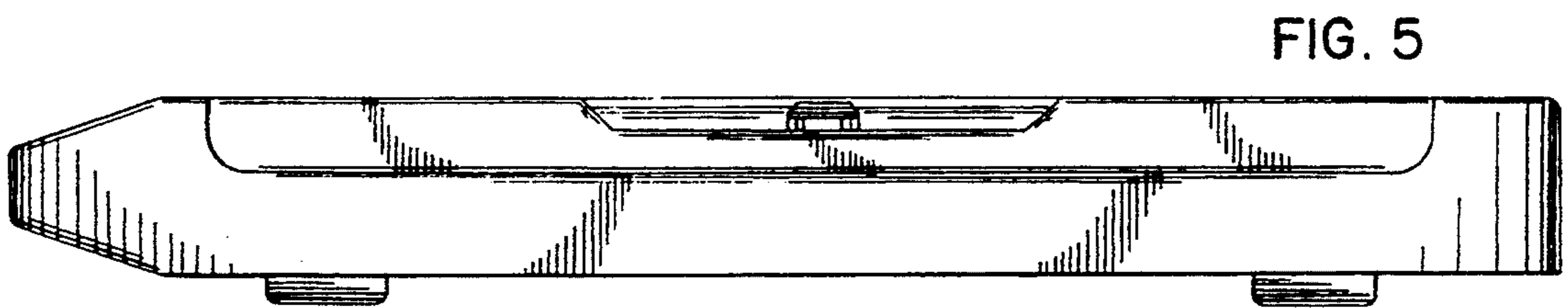


FIG. 5

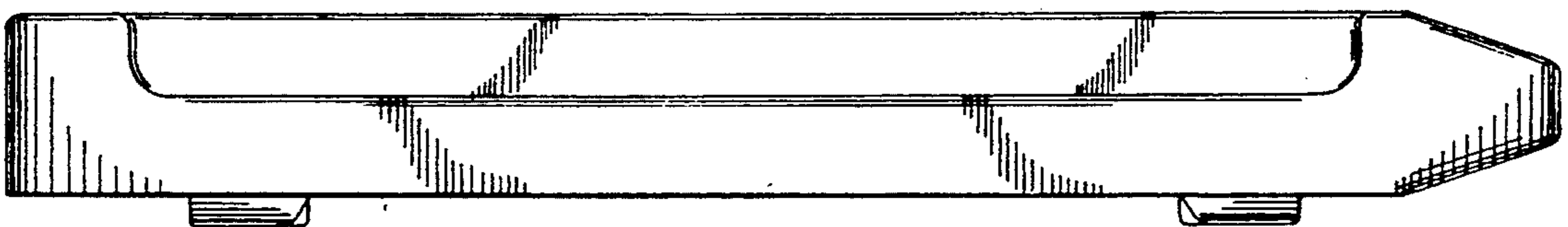


FIG. 6

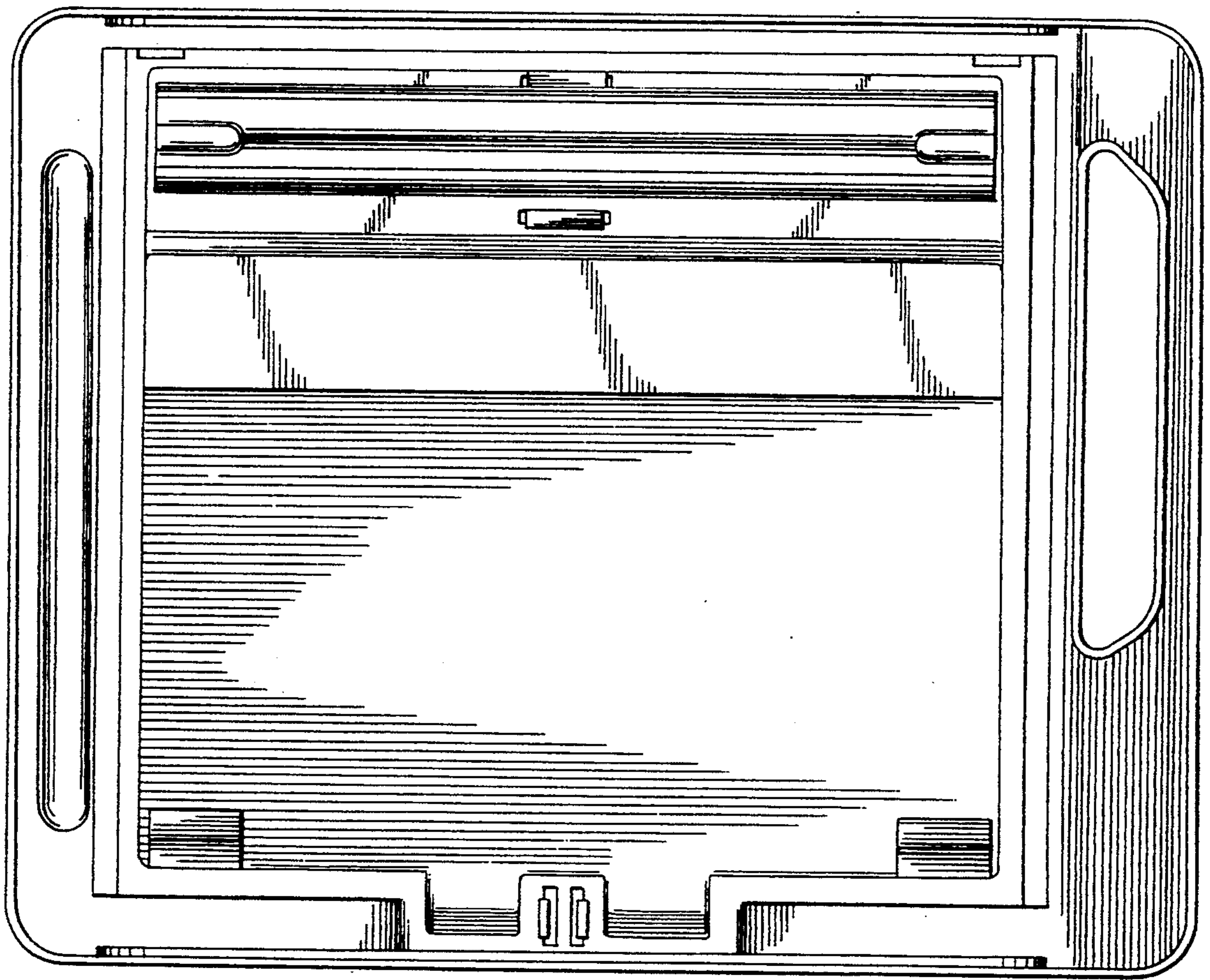


FIG. 7

FIG. 8

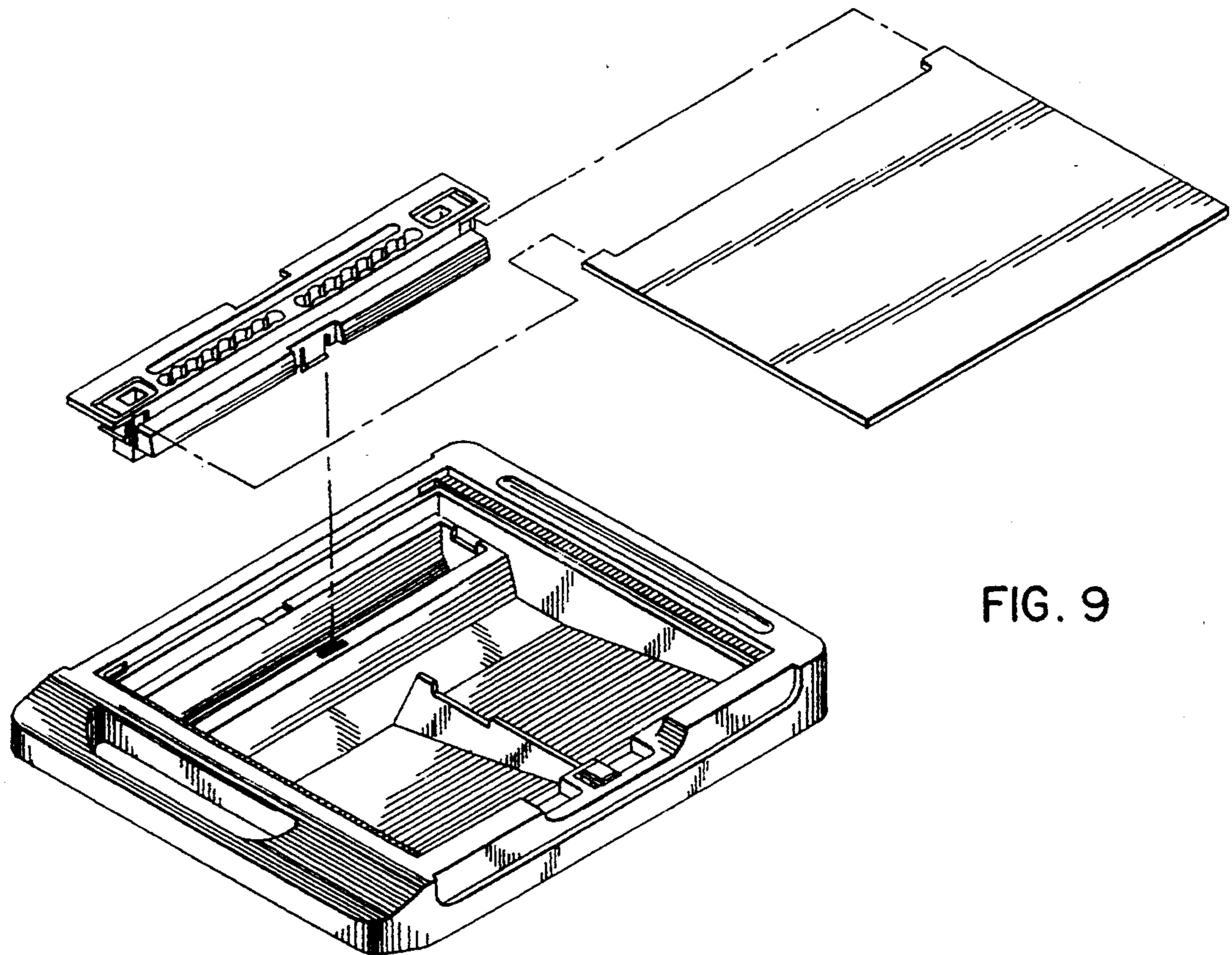
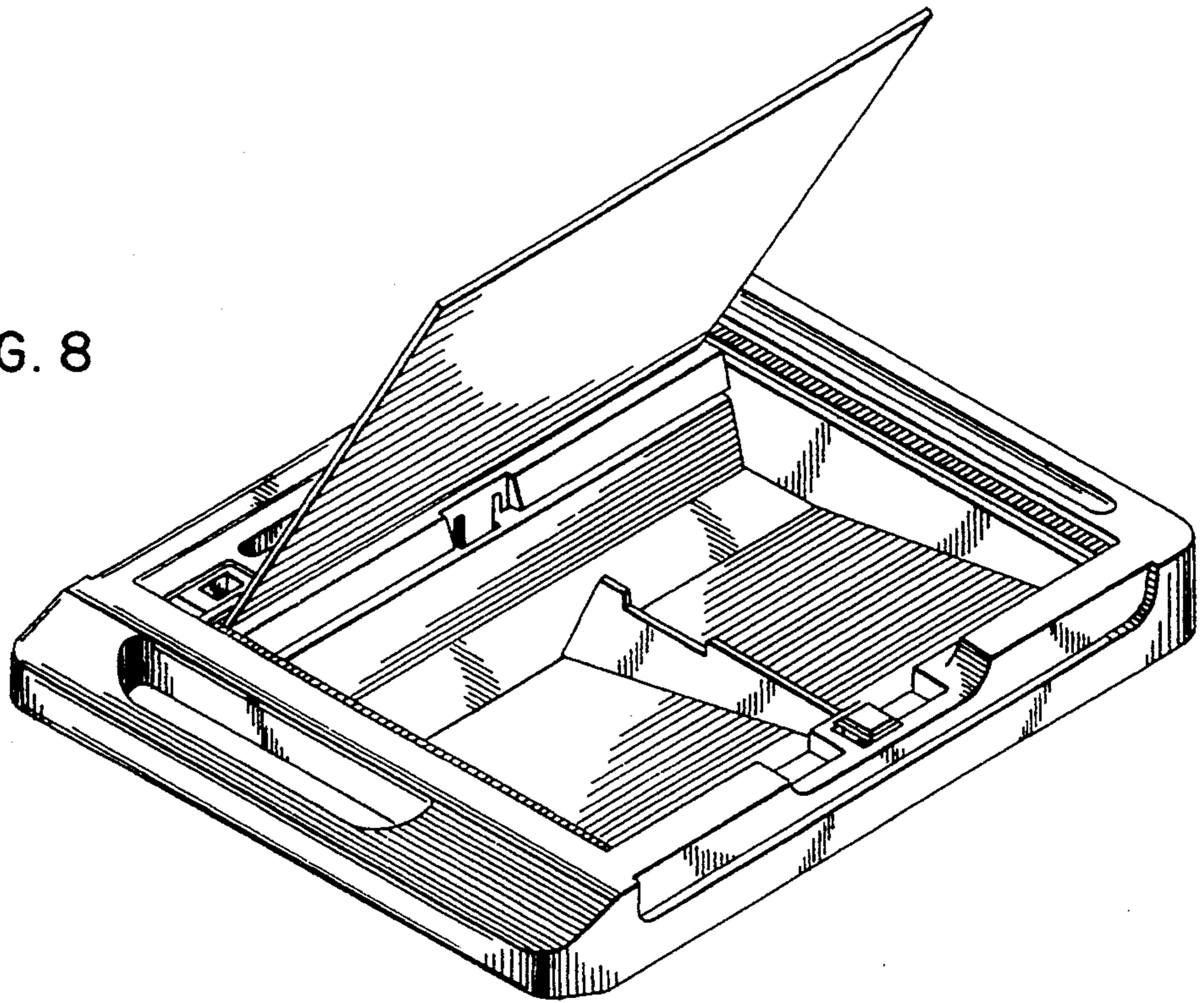


FIG. 9

UNITED STATES PATENT AND TRADEMARK OFFICE
CERTIFICATE OF CORRECTION

PATENT NO. : D 356,823
DATED : March 28, 1995
INVENTOR(S) : Richard A. Tarozzi

It is certified that error appears in the above-identified patent and that said Letters Patent is hereby corrected as shown below:

On the Title Page, Item [63], in Related U.S. Application Data, "5,284,455" should be —5,284,445.

In the Description, "FIG. 9 is an exploded view of the portable drawing surface." should be —FIG. 9 is an exploded view of the combined portable drawing surface and supply storage unit.—.

Signed and Sealed this
Thirteenth Day of June, 1995

Attest:



BRUCE LEHMAN

Attesting Officer

Commissioner of Patents and Trademarks