



US00D356822S

United States Patent [19]

[11] Patent Number: **Des. 356,822**

Volk

[45] Date of Patent: **** Mar. 28, 1995**

- [54] **STENCIL HOLDER**
- [75] Inventor: **Robert S. Volk**, Easton, Pa.
- [73] Assignee: **Binney & Smith Inc.**, Easton, Pa.
- [**] Term: **14 Years**
- [21] Appl. No.: **16,295**
- [22] Filed: **Dec. 13, 1993**
- [52] U.S. Cl. **D19/35; D19/86; D19/92; D19/40**
- [58] Field of Search **D19/35, 36, 52, 65, D19/75, 77, 78, 85, 92, 99, 100; D21/59; 434/84, 85, 87, 88; 206/1.7, 1.8, 214, 224, 371; 211/126**

- 5,203,702 4/1993 Wilson 434/85
- 5,203,706 4/1993 Zamir 434/172
- 5,228,858 7/1993 Fromm 434/84
- 5,248,030 9/1993 Tarozzi 206/1.7

OTHER PUBLICATIONS

- Crayola® Draw 'N' Do Desk—Color Photocopy of Binney & Smith Inc. 1984 Catalog, p. 26.
- Crayola® Designer Kit—Color Photocopy of Binney & Smith Inc. 1984 Catalog, p. 27.
- Crayola® Dabber Doo—Color Photocopy of Binney & Smith Inc. 1984 Catalog, p. 30.
- Crayola® Create-A-Critter—Color Photocopy of Binney & Smith Inc. 1992 Catalog, one page.
- Crayola® Draw 'N' Do Desk—Color Photocopy of Binney & Smith Inc. 1992 Catalog, one page.
- Crayola® Stencil Art Kit—Color Photocopy of Binney & Smith Inc. 1993 Catalog, one page.

[56] References Cited

U.S. PATENT DOCUMENTS

- D. 120,652 5/1940 Posnack D19/92 X
- D. 171,865 3/1954 Roth D19/92
- D. 287,862 1/1987 Hauser et al. D19/78
- D. 288,826 3/1987 Johansson D19/78
- D. 293,453 12/1987 Johansson D19/77
- D. 330,045 10/1992 Dietterich et al. D19/36
- D. 332,468 1/1993 Tarozzi D19/85
- D. 334,946 4/1993 Tarozzi D19/77
- D. 338,496 8/1993 Tarozzi D19/85
- 1,228,163 5/1917 Arents .
- 1,821,369 9/1931 Wetterstrand .
- 3,633,286 1/1972 Maurer 35/26
- 3,861,066 1/1965 Klaja 35/37
- 4,604,062 8/1986 Woods 434/88
- 4,807,538 2/1989 Hoffman 108/25
- 4,836,783 6/1989 Harper 434/87
- 4,931,017 6/1990 Mann 434/87
- 4,972,598 11/1990 Charters, Jr. 33/564
- 5,100,324 3/1992 Slayton 434/87
- 5,141,438 8/1992 Spector 434/87
- 5,163,846 11/1992 Lee 434/408
- 5,190,151 3/1993 Dietterich 206/214

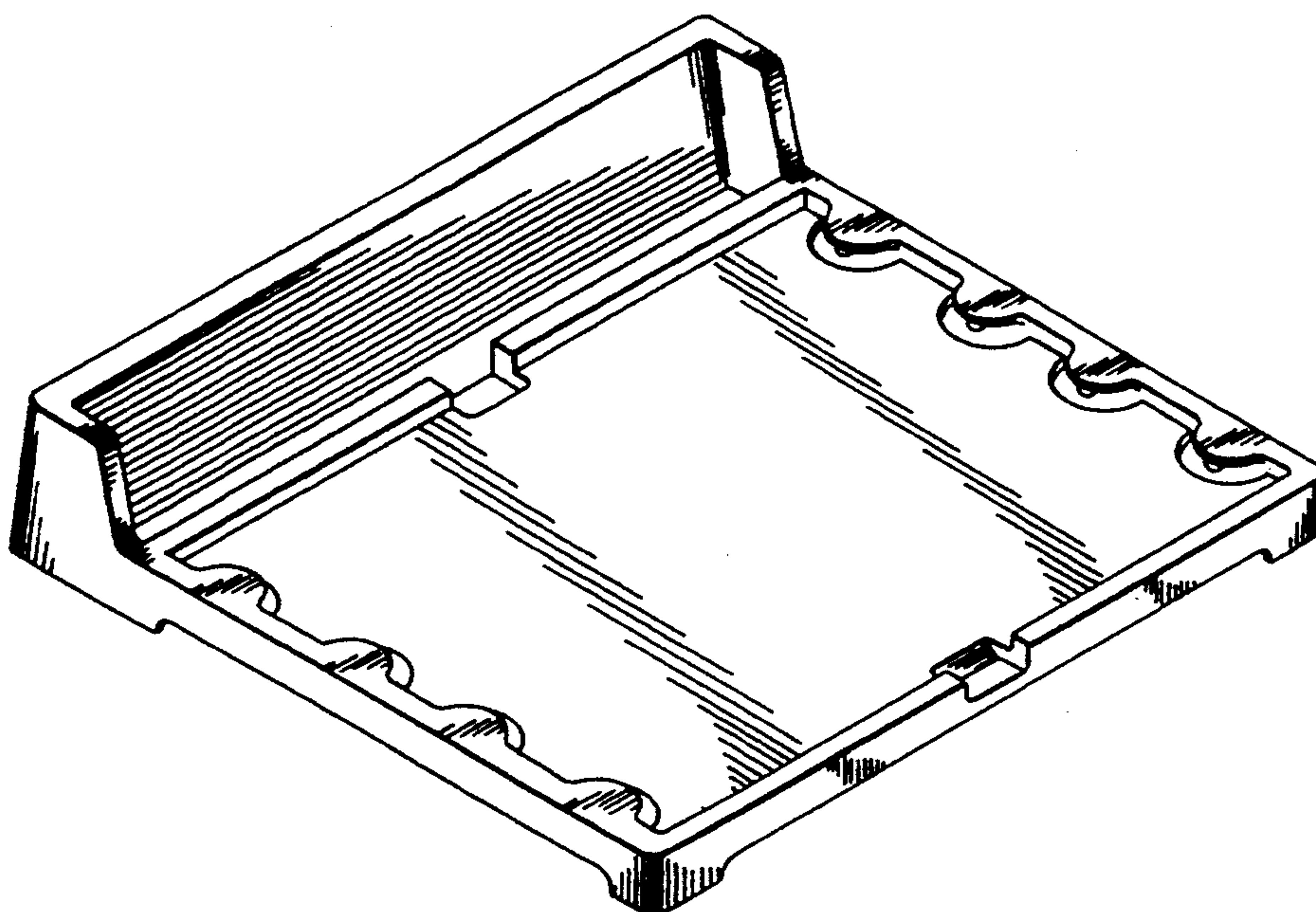
Primary Examiner—Martie Thompson
Attorney, Agent, or Firm—Leydig, Voit & Mayer, Ltd.

[57] CLAIM

The ornamental design for a stencil holder, as shown and described.

DESCRIPTION

FIG. 1 is a left front perspective view of the stencil holder;
 FIG. 2 is a top plan view thereof;
 FIG. 3 is a front elevational view thereof;
 FIG. 4 is a left elevational view thereof;
 FIG. 5 is a rear elevational view thereof;
 FIG. 6 is a right elevational view thereof;
 FIG. 7 is a bottom elevational view thereof; and,
 FIG. 8 is a left front perspective view, the stencils depicted by means of broken lines being for illustrative purposes only and forming no part of the claimed design.



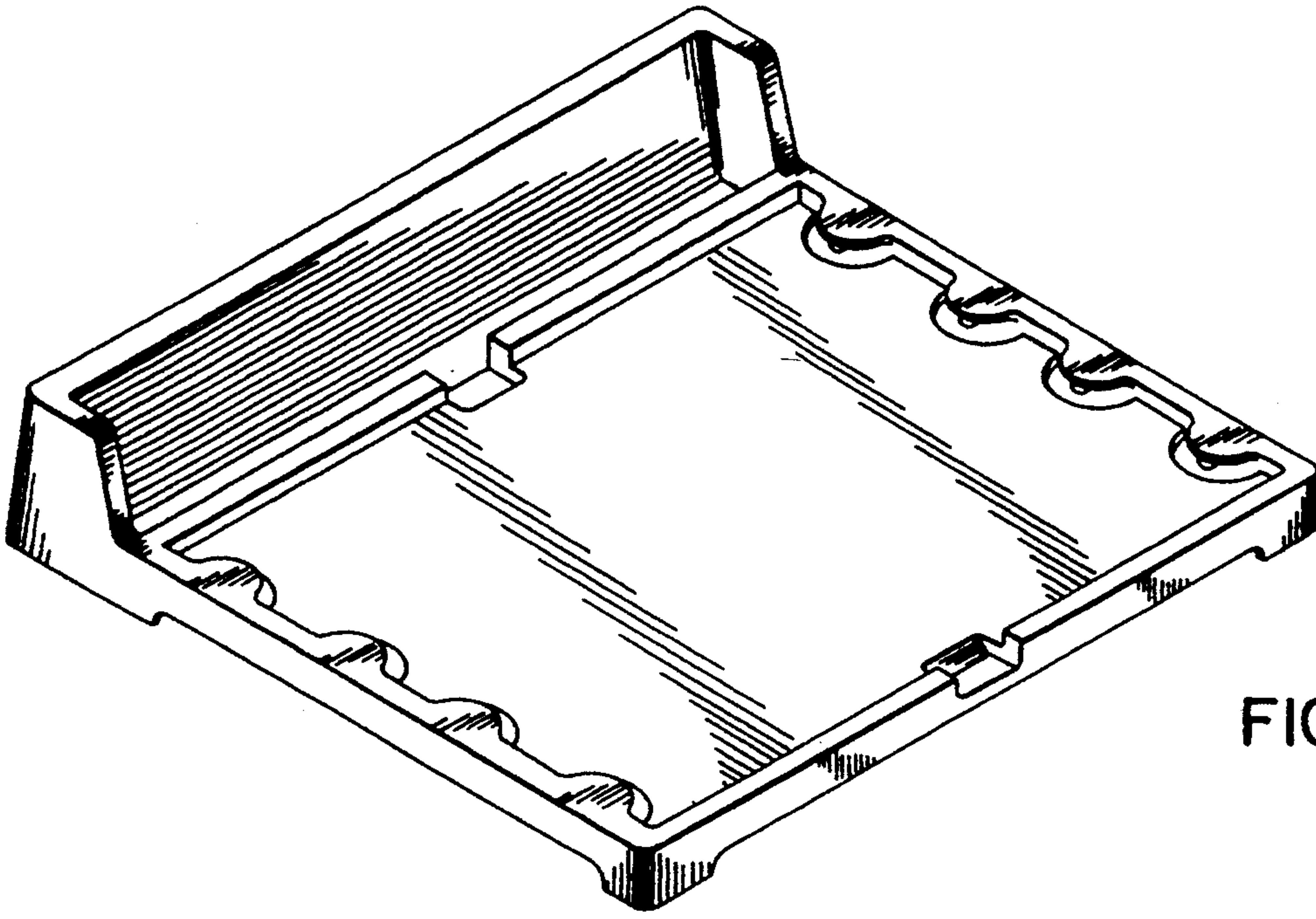


FIG. 1

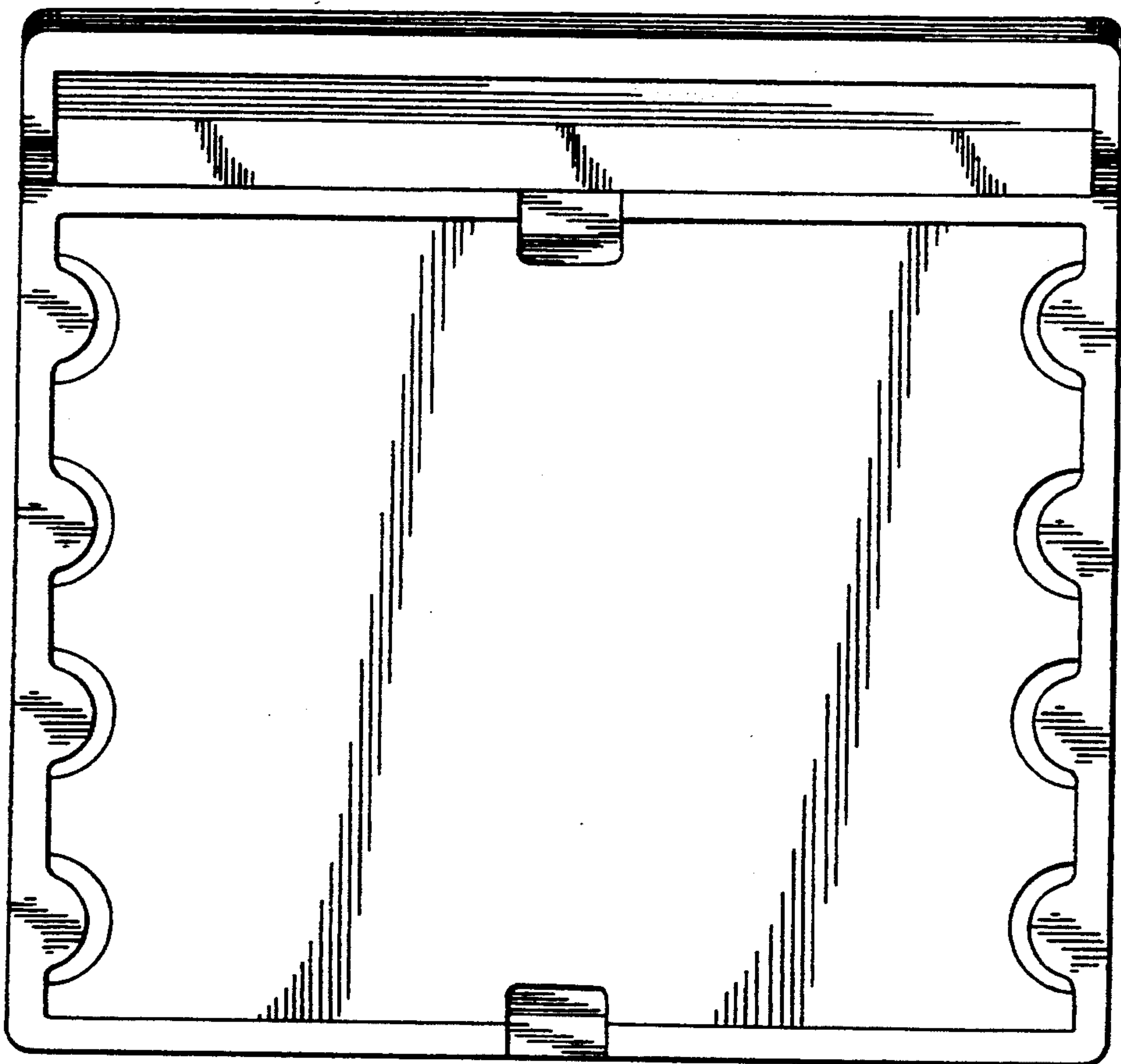


FIG. 2

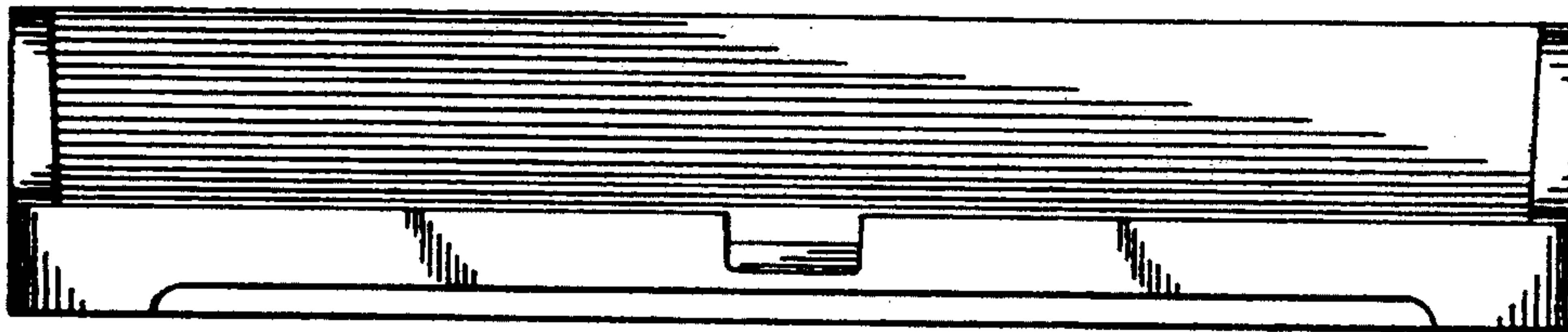


FIG. 3

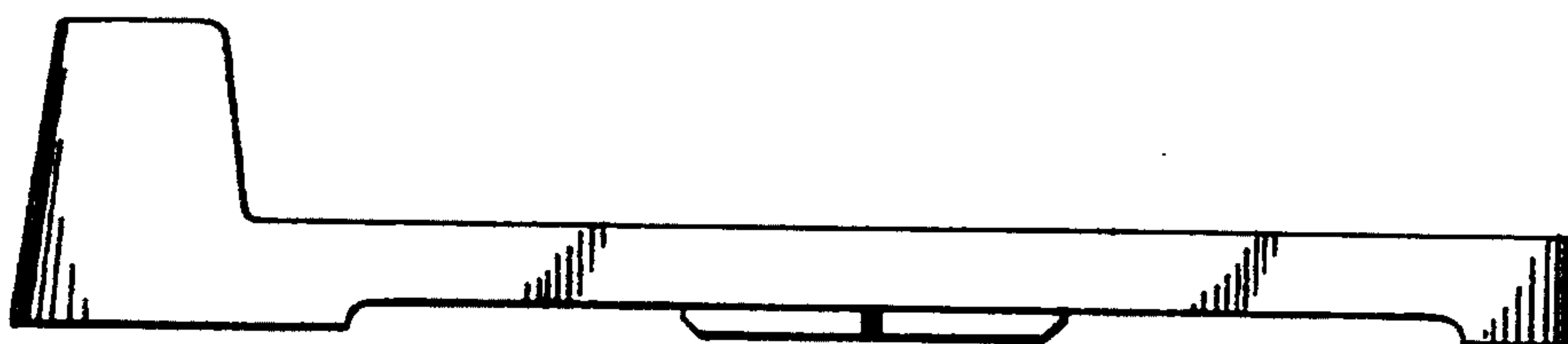


FIG. 4

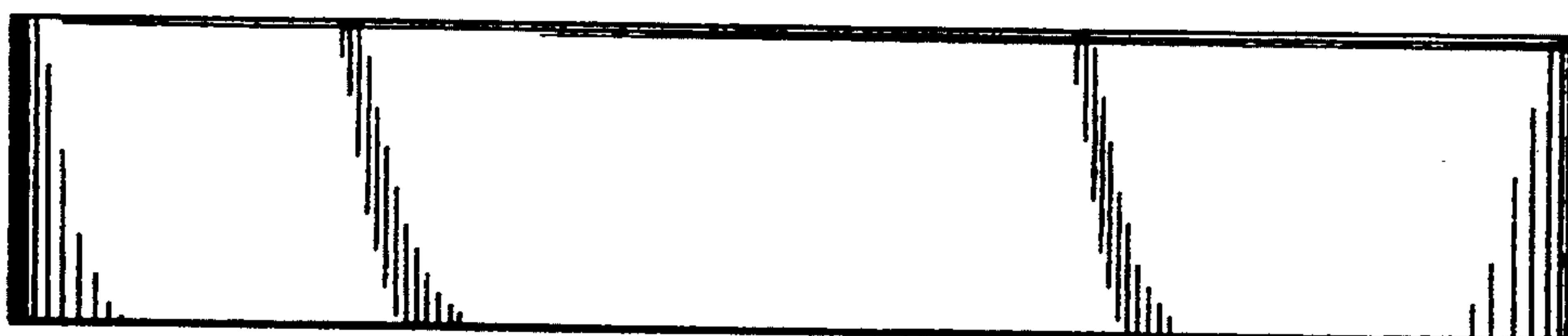


FIG. 5

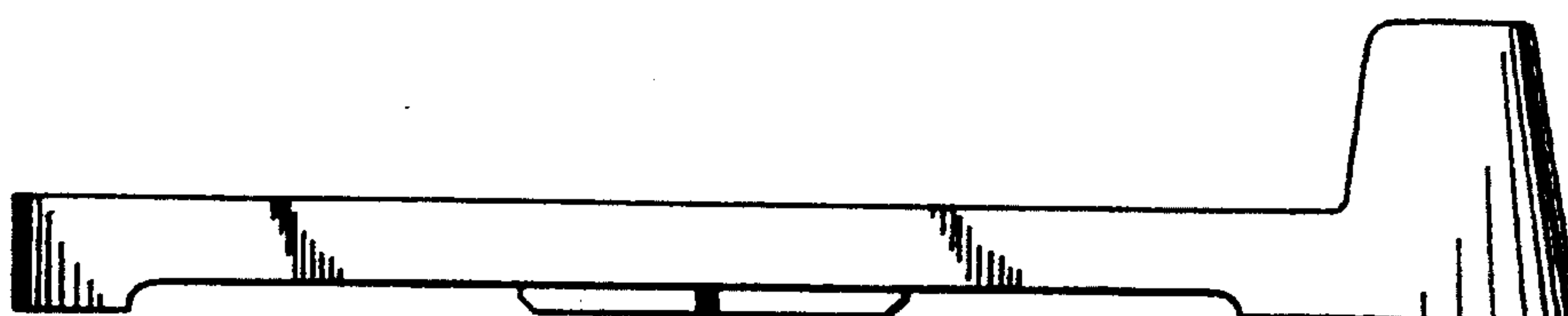


FIG. 6

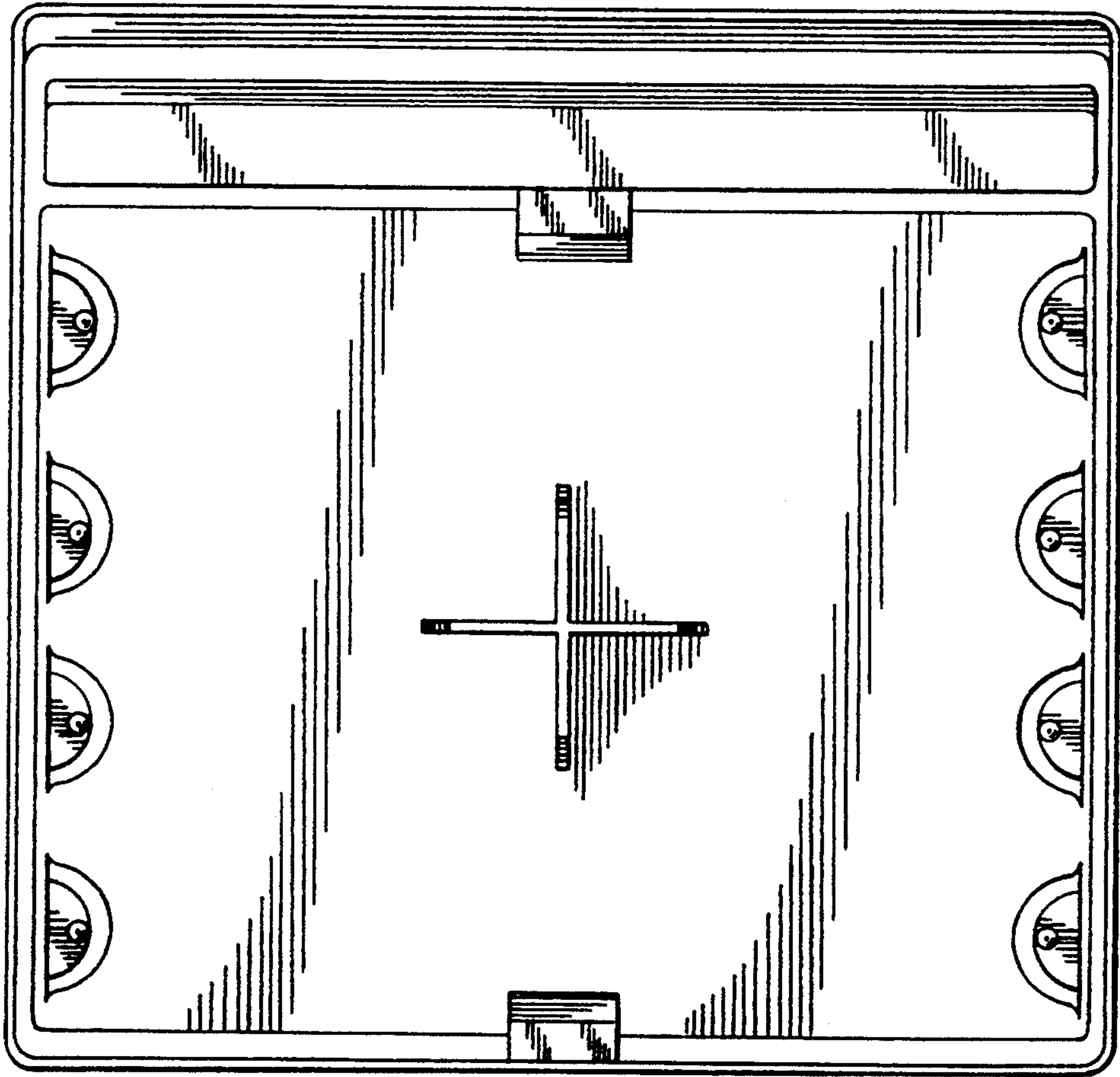


FIG. 7

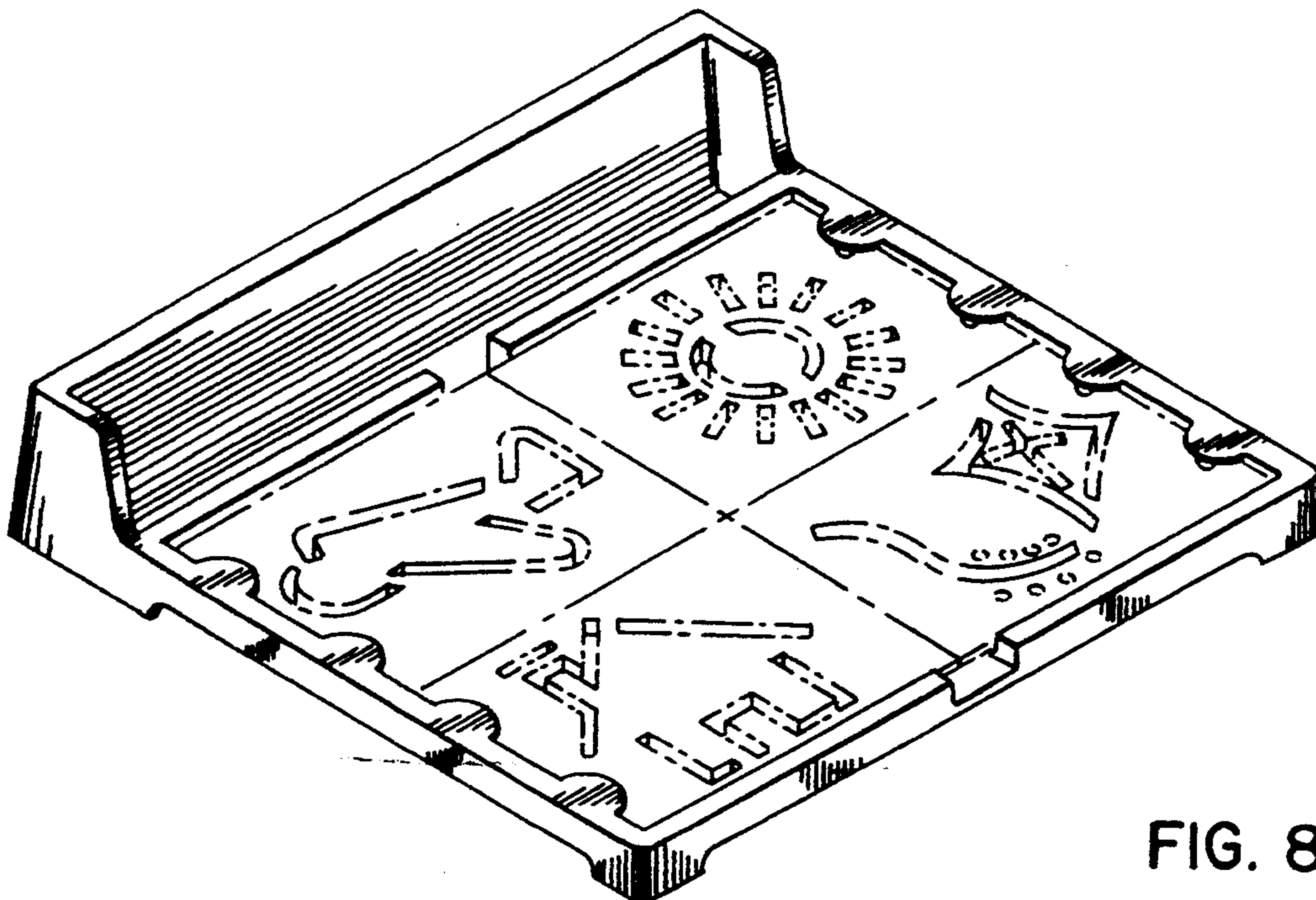


FIG. 8