



US00D356819S

United States Patent [19]

[11] Patent Number: **Des. 356,819**

Stempien

[45] Date of Patent: **** Mar. 28, 1995**

[54] CASSETTE FOR CONSUMABLE SHEET MATERIAL

[75] Inventor: **Joseph W. Stempien**, Newington, Conn.

[73] Assignee: **Gerber Scientific Products, Inc.**, Manchester, Conn.

[**] Term: **14 Years**

[21] Appl. No.: **3,981**

[22] Filed: **Jan. 22, 1993**

[52] U.S. Cl. **D18/56; D16/250**

[58] Field of Search **400/208, 234; D18/12, D18/56; 346/140 R, 76 PH; D6/520; D16/250; D9/432**

5,266,968	11/1993	Stephenson	346/76 PH
5,278,577	1/1994	Kitsuki	400/208
5,290,114	3/1994	Asami et al.	400/208
5,325,115	6/1994	Tanahashi	346/76 PH

FOREIGN PATENT DOCUMENTS

053072	5/1986	Japan	D18/i
0164872	7/1986	Japan	D18/
115770	5/1988	Japan	400/208
264874	10/1989	Japan	400/208
4071883	3/1992	Japan	400/234
5177893	7/1993	Japan	400/208

OTHER PUBLICATIONS

2 Photos of cassette from Kodak thermal printer Model XL7700 (1990).

Primary Examiner—Cathy Anne MacCormac
Attorney, Agent, or Firm—McCormick, Paulding & Huber

[56] References Cited

U.S. PATENT DOCUMENTS

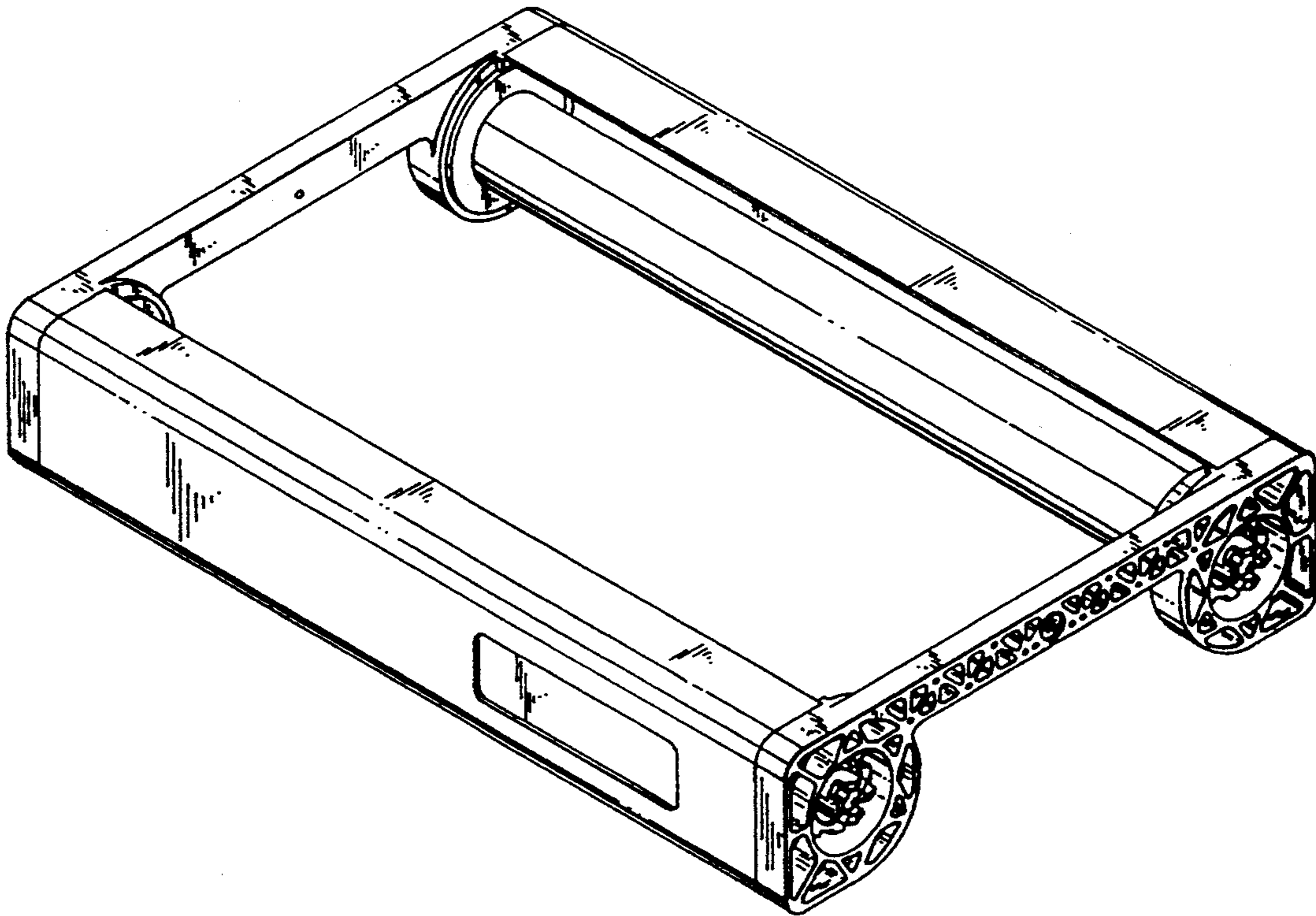
D. 314,005	1/1991	Okunomiya et al.	D18/12
D. 327,495	6/1992	Nagai	D18/56
D. 330,548	10/1992	Takahashi	D16/250
D. 331,771	12/1992	Yoshihara	D18/12
D. 332,275	1/1993	Katsuno	D18/12
4,160,605	7/1979	Neubaum	400/208
4,496,955	1/1985	Maeyama et al.	346/76 PH
4,914,525	4/1990	Abe et al.	D18/56
4,915,516	4/1990	Shimizu et al.	400/208
4,978,240	12/1990	Katsuno	400/234
5,035,325	7/1991	Kitsuki	400/208
5,100,250	3/1992	Suzuki et al.	400/208
5,110,228	5/1992	Yokomizo	400/208
5,246,299	9/1993	Kitsuki et al.	400/234
5,249,873	10/1993	Okunomiya et al.	400/208

[57] CLAIM

The ornamental design for a cassette for consumable sheet material, as shown and described.

DESCRIPTION

FIG. 1 is a perspective view of a cassette for a consumable sheet material showing my new design; FIG. 2 is a front elevational view thereof; FIG. 3 is a side elevational view thereof; FIG. 4 is a rear elevational view thereof; FIG. 5 is an opposite side elevational view thereof; FIG. 6 is a top plan view thereof; and, FIG. 7 is a bottom plan view thereof.



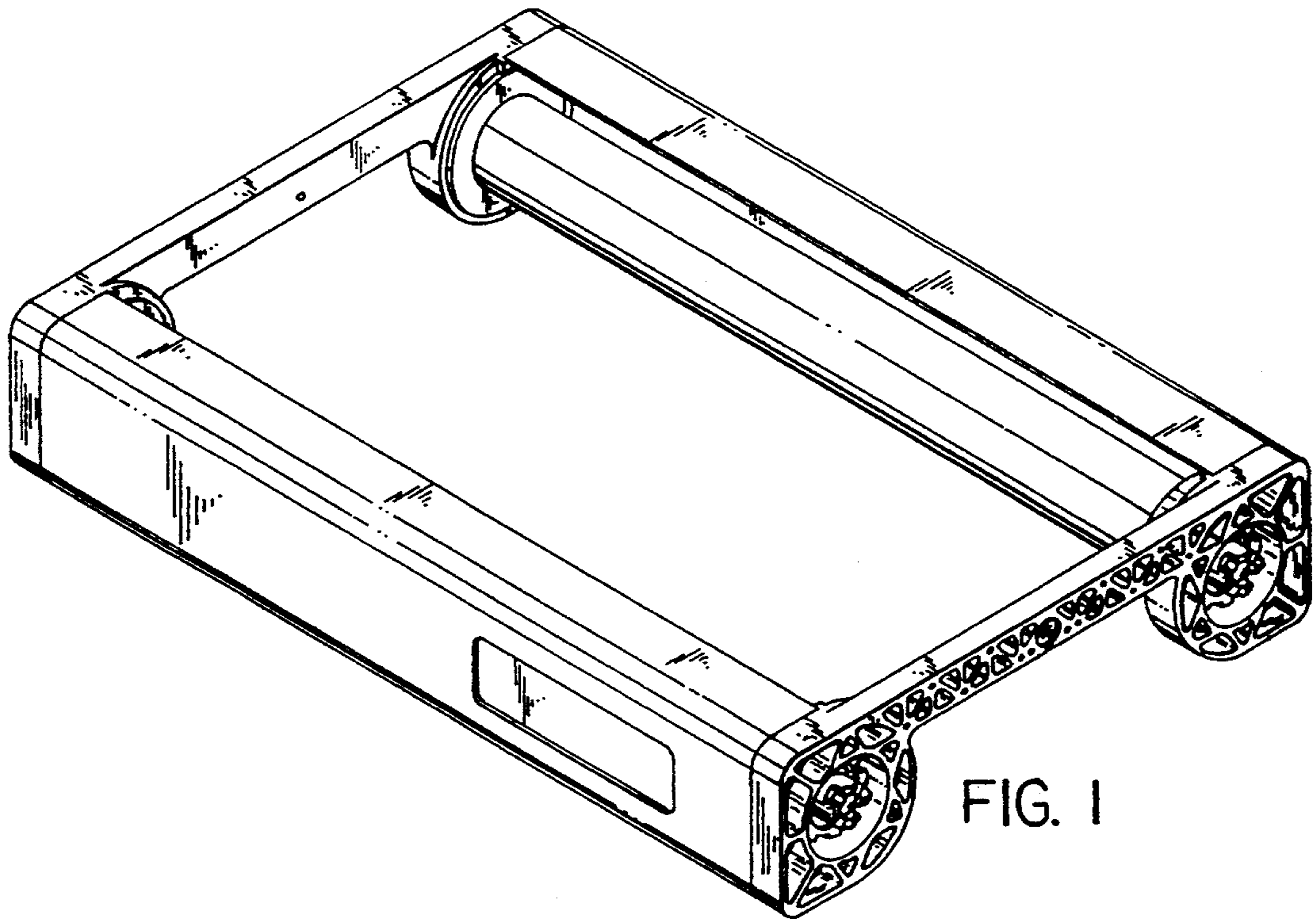


FIG. 1

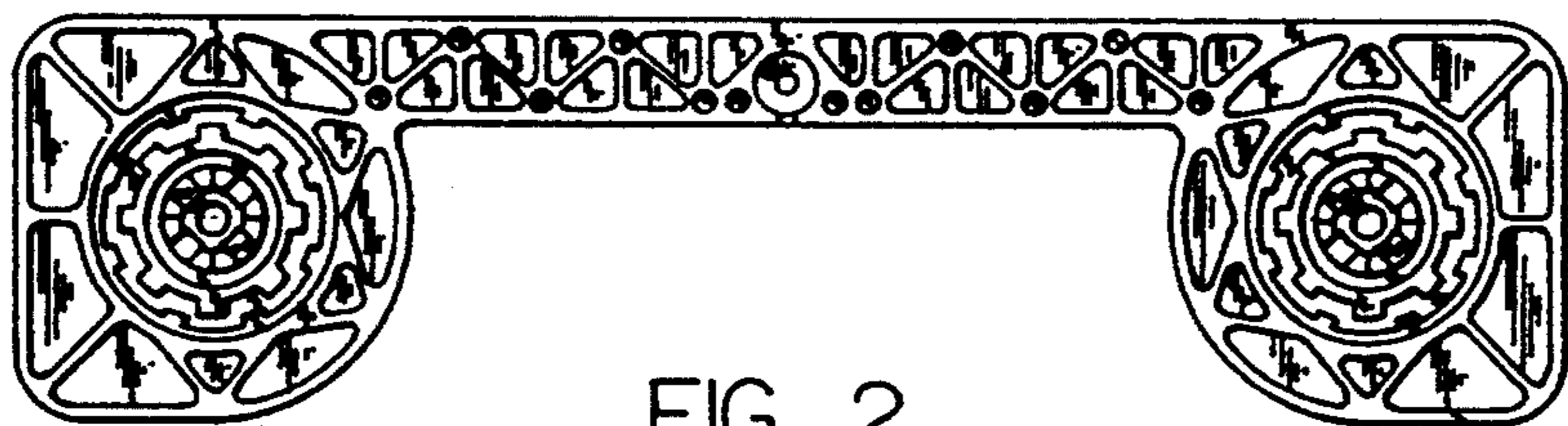


FIG. 2

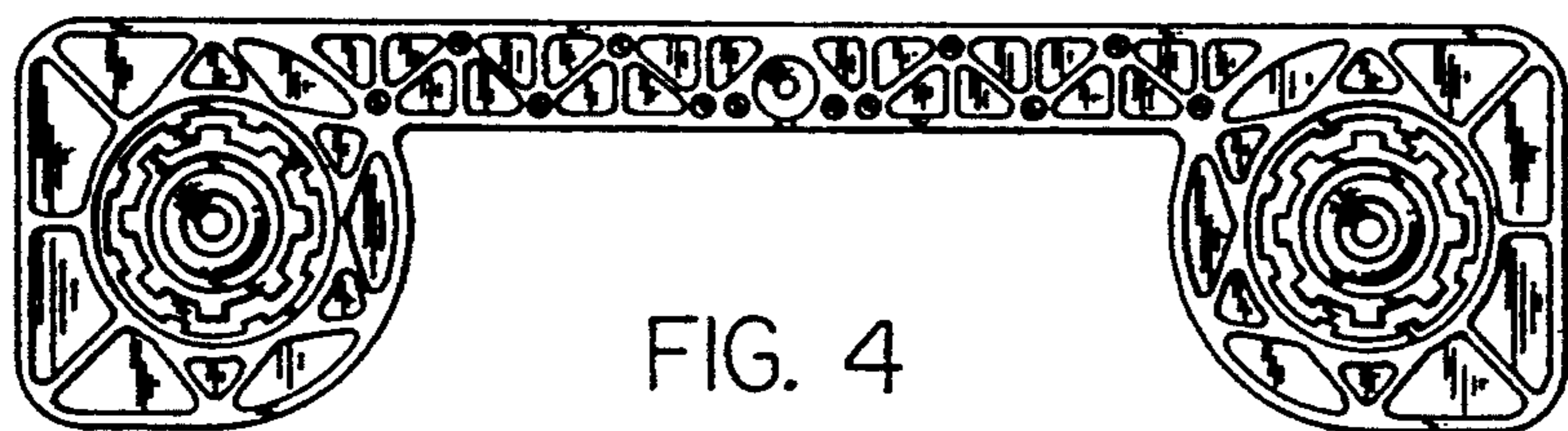


FIG. 4

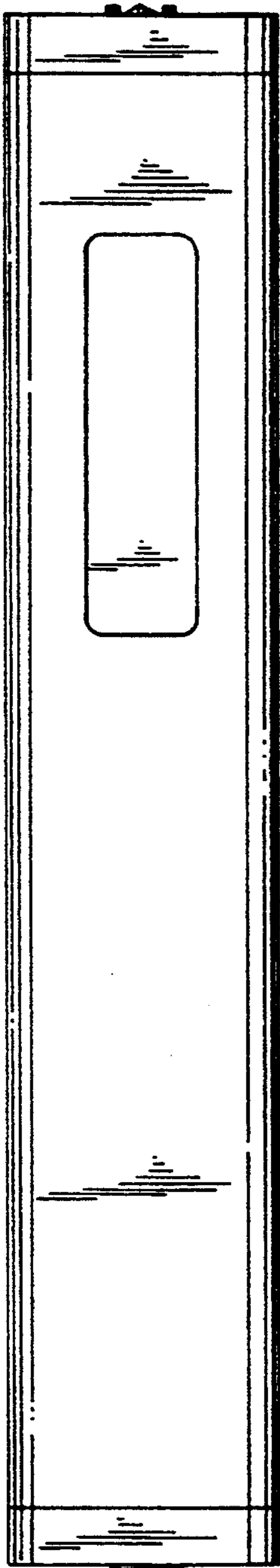


FIG. 3

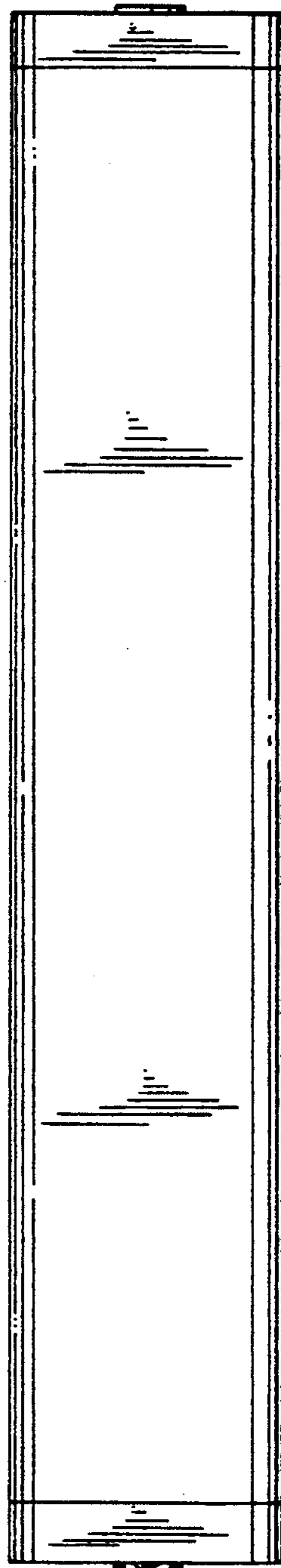


FIG. 5

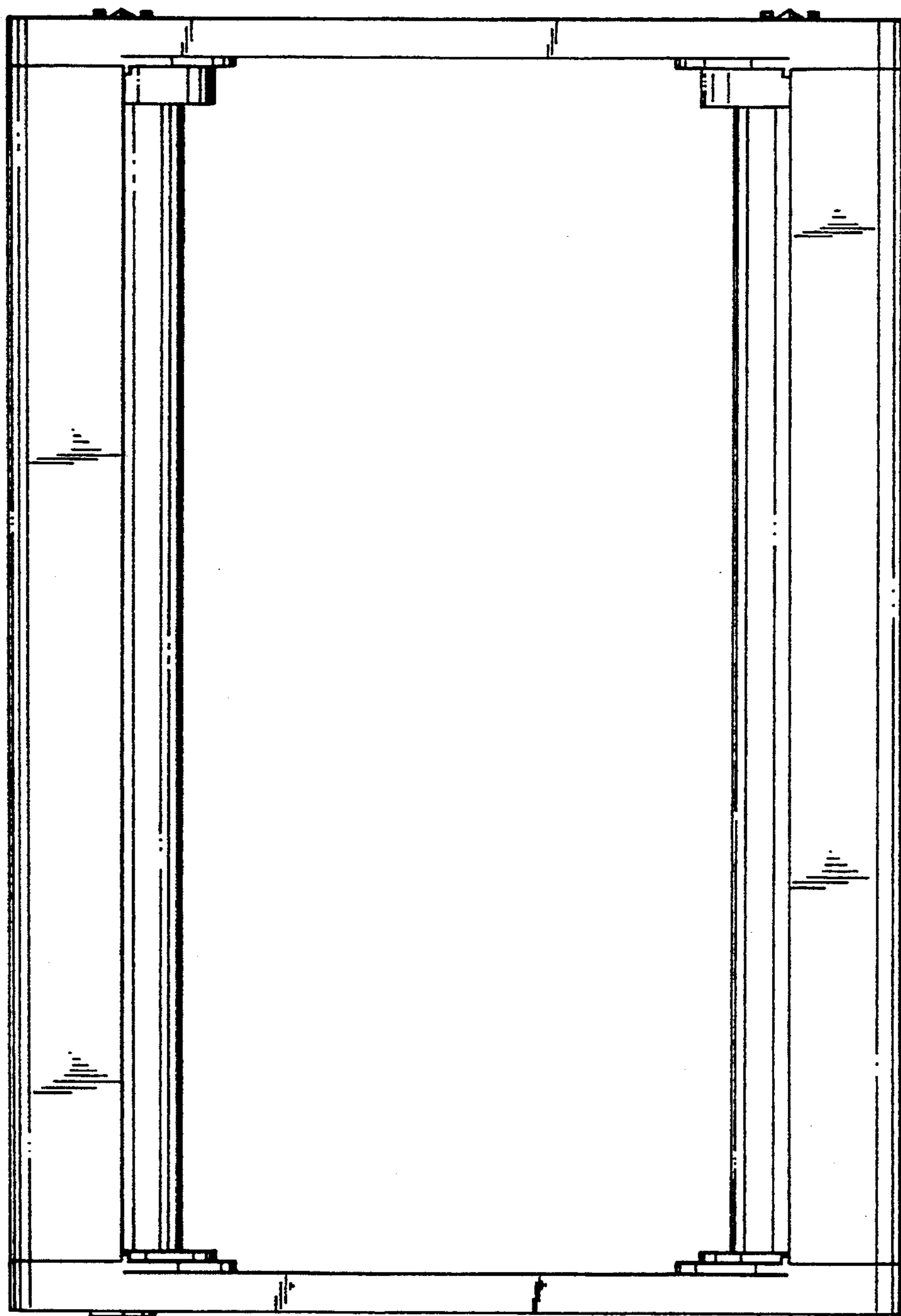


FIG. 6

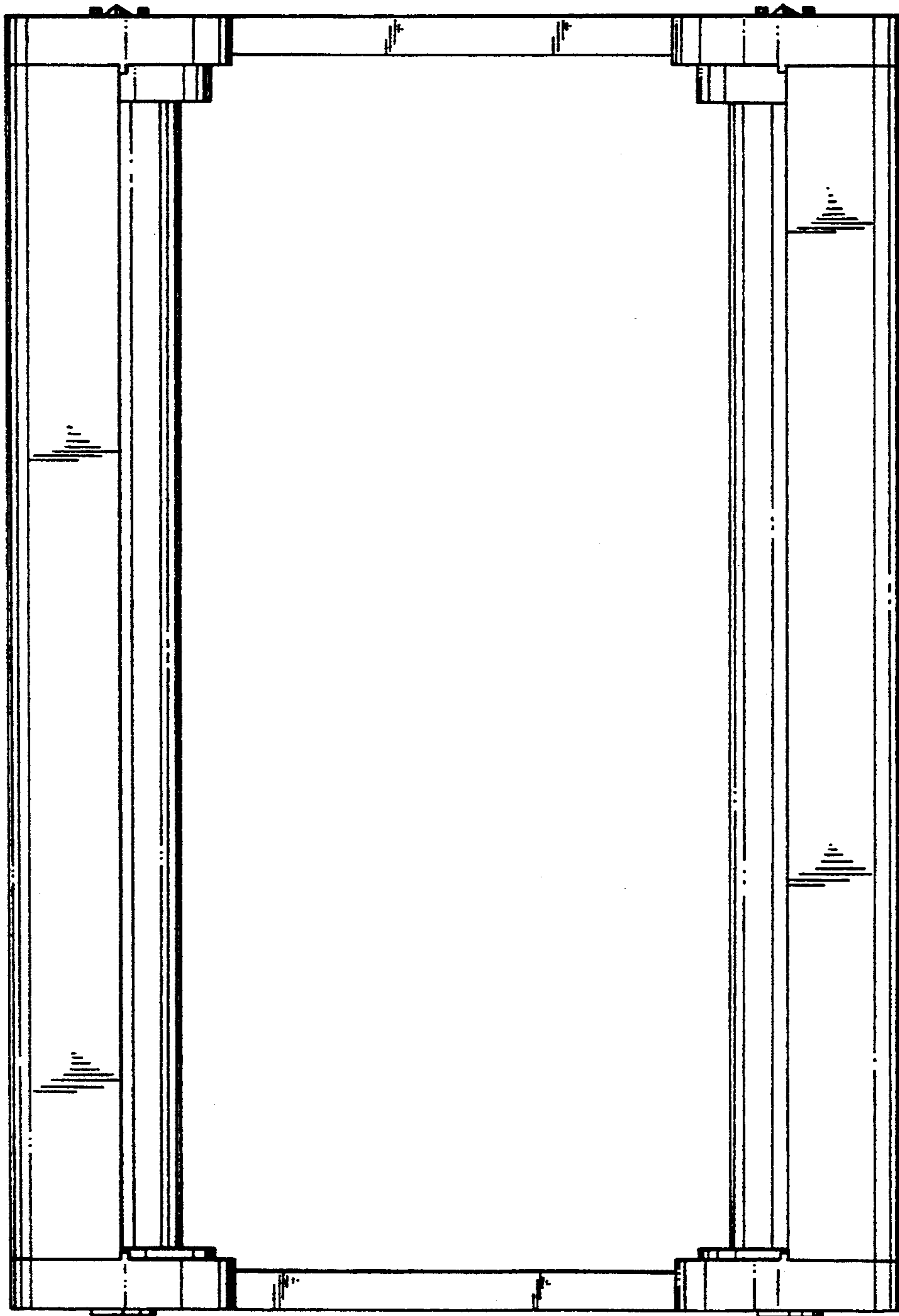


FIG. 7