



US00D356818S

United States Patent [19]

[11] Patent Number: **Des. 356,818**

Sekine et al.

[45] Date of Patent: **** Mar. 28, 1995**

[54] **PRINTER FOR ELECTRONIC COMPUTER**

D. 340,944 11/1993 Ishizawa D18/50
D. 343,637 1/1994 Umino et al. D18/55

[75] Inventors: **Tetsuya Sekine, Kawasaki; Hiroyuki Tokuda, Yokohama, both of Japan**

FOREIGN PATENT DOCUMENTS

[73] Assignee: **Canon Kabushiki Kaisha, Tokyo, Japan**

65798 4/1990 Canada D18/t al.
8800088 10/1988 Germany D18/1.

[**] Term: **14 Years**

OTHER PUBLICATIONS

[21] Appl. No.: **16,972**

Canon BJ-200 brochure, Oct. 1992; Cover Photograph.
Mannesmann Tally MT 150/151-24 Wire Printer, Feb. 1993; Cover Photograph.

[22] Filed: **Dec. 30, 1993**

[30] Foreign Application Priority Data

Primary Examiner—Cathy Anne MacCormac
Attorney, Agent, or Firm—Fitzpatrick, Cella, Harper & Scinto

Jul. 5, 1993 [JP] Japan 5-20774

[52] U.S. Cl. **D18/55**

[58] Field of Search D18/50, 54-55;
400/691-694, 690.1-690.4, 613, 613.1-613.4

[57] CLAIM

The ornamental design for a printer for electronic computer, as shown and described.

[56] References Cited

DESCRIPTION

U.S. PATENT DOCUMENTS

D. 287,729	1/1987	Pangburn	D18/54
D. 293,113	12/1987	Fay	D18/54
D. 317,937	7/1991	Uchihari et al.	D18/54
D. 323,183	1/1992	Irie et al.	D18/55
D. 323,850	2/1992	Matsuo et al.	D18/54
D. 335,894	5/1993	Nishikaze et al.	D18/55
D. 339,159	9/1993	Pruitt et al.	D18/55
D. 340,470	10/1993	Tsutsui	D18/55

FIG. 1 is a front elevational view of a printer for electronic computer showing our new design;
FIG. 2 is a rear elevational view thereof;
FIG. 3 is a top plan view thereof;
FIG. 4 is a bottom plan view thereof;
FIG. 5 is a left side elevational view thereof;
FIG. 6 is a right side elevational view thereof; and,
FIG. 7 is a perspective view thereof.

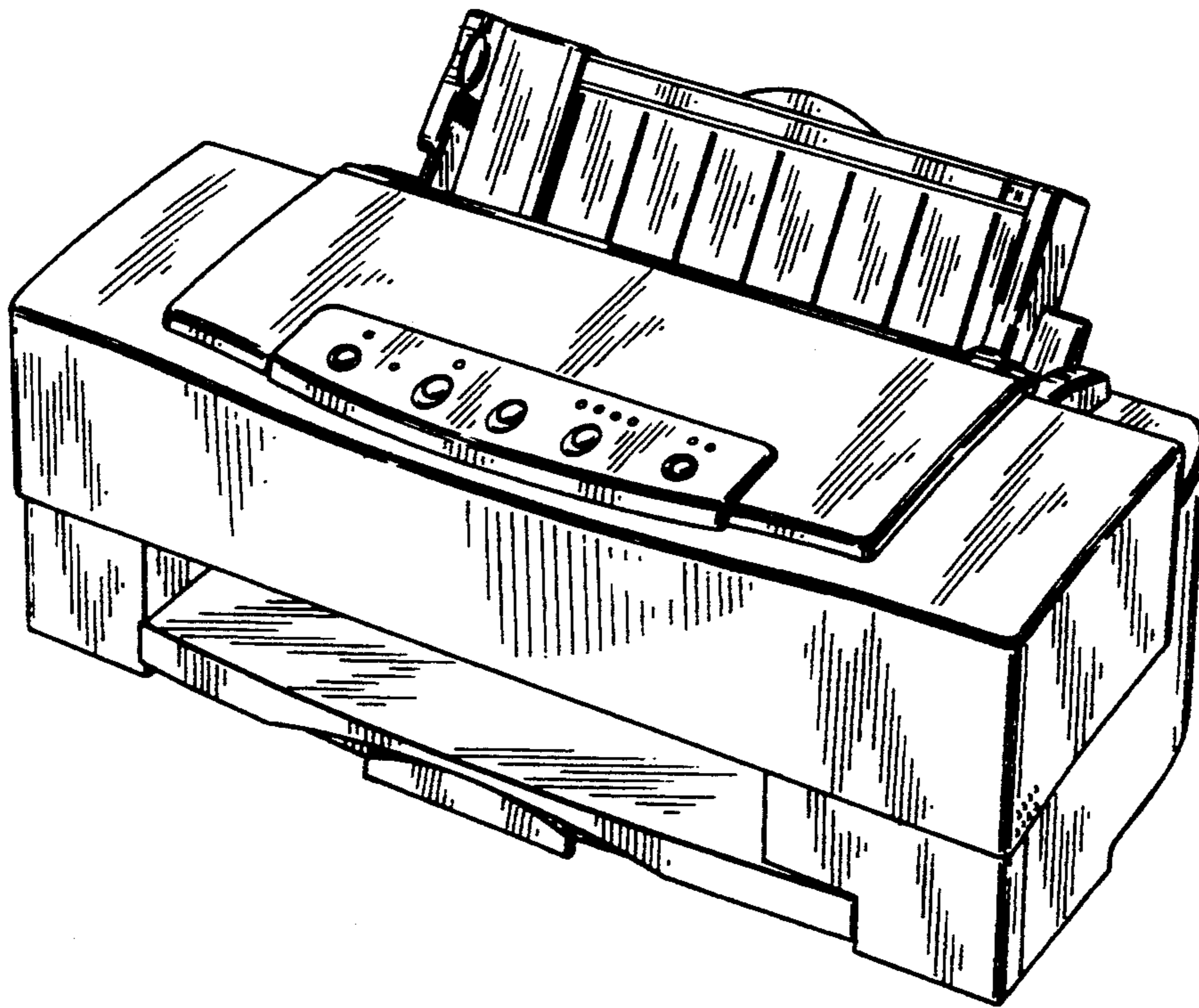


FIG. 1

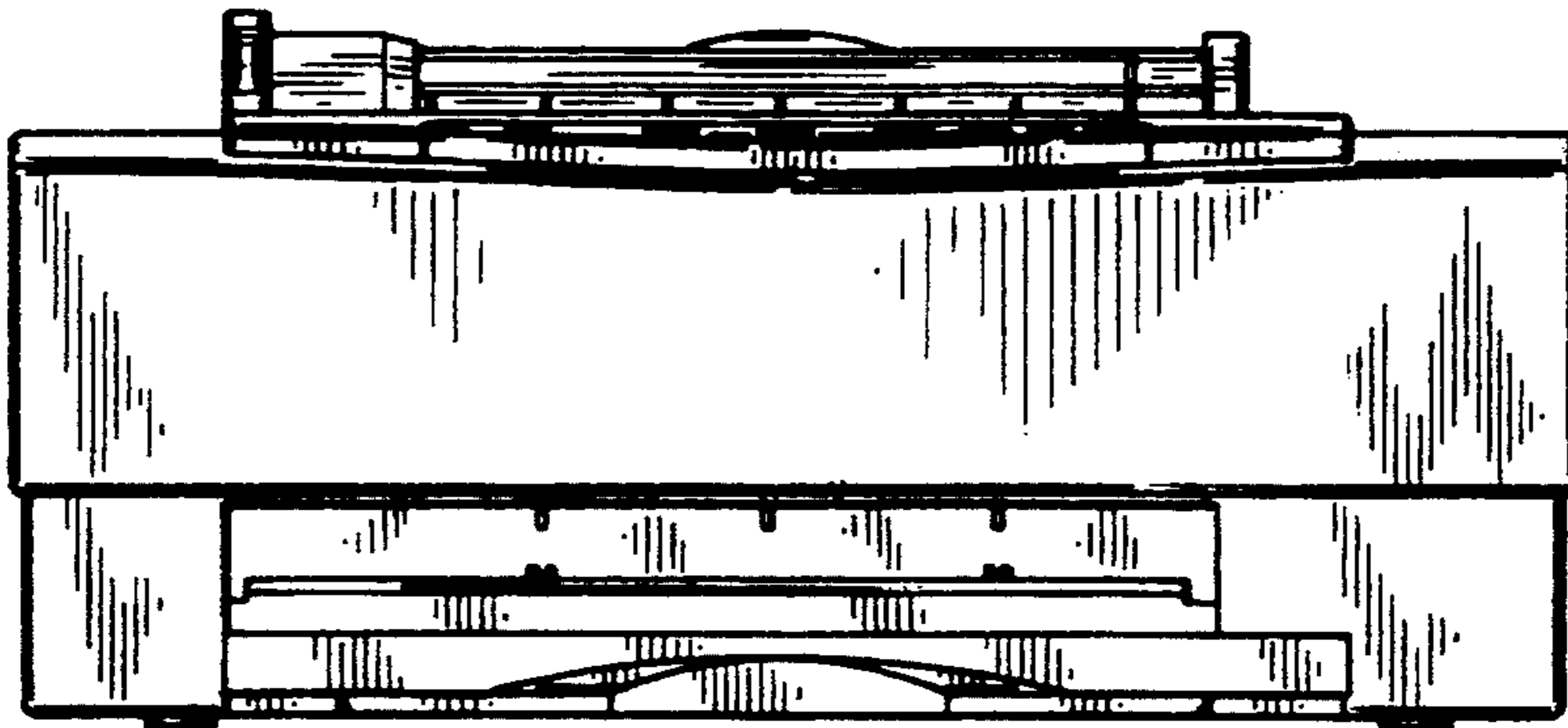


FIG. 2

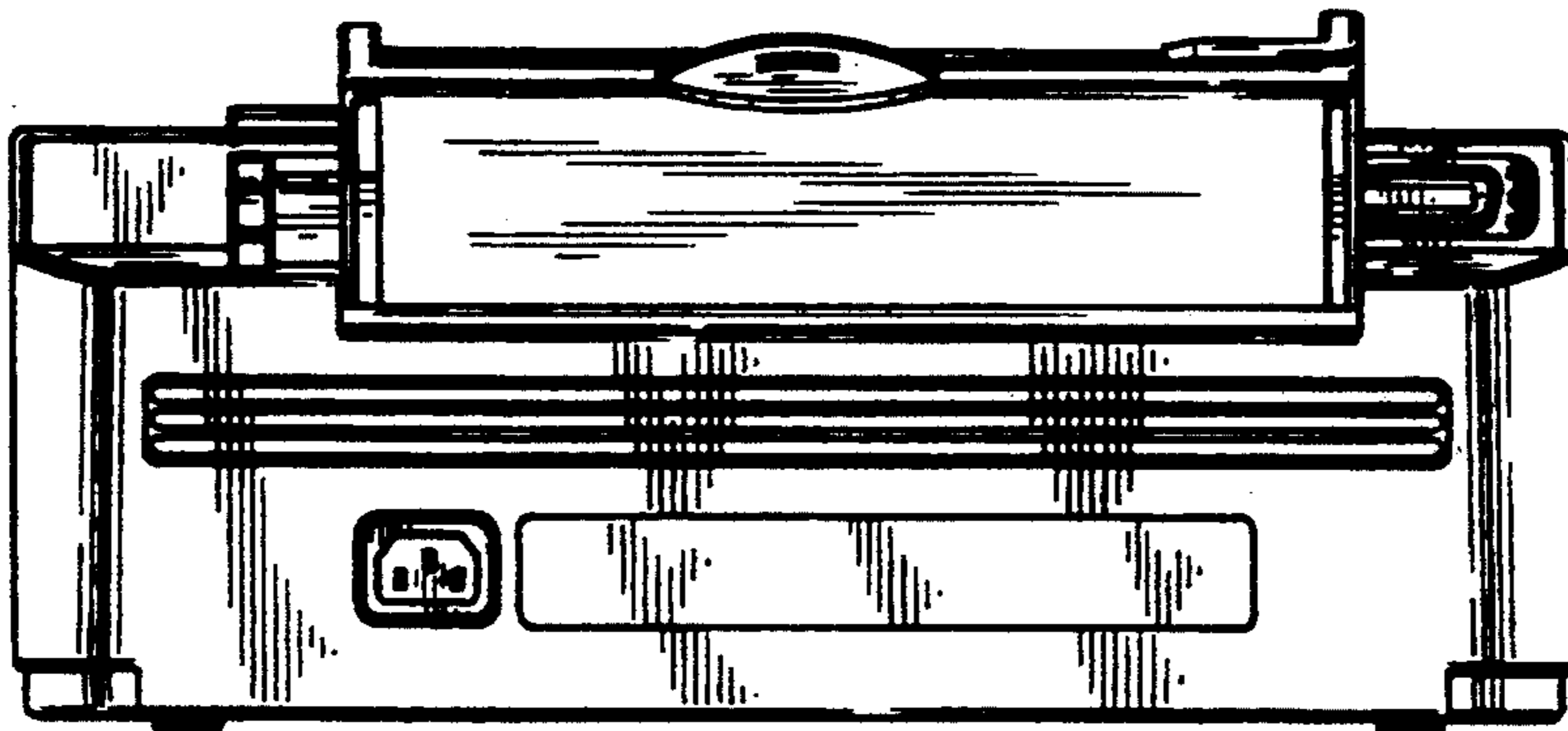


FIG. 3

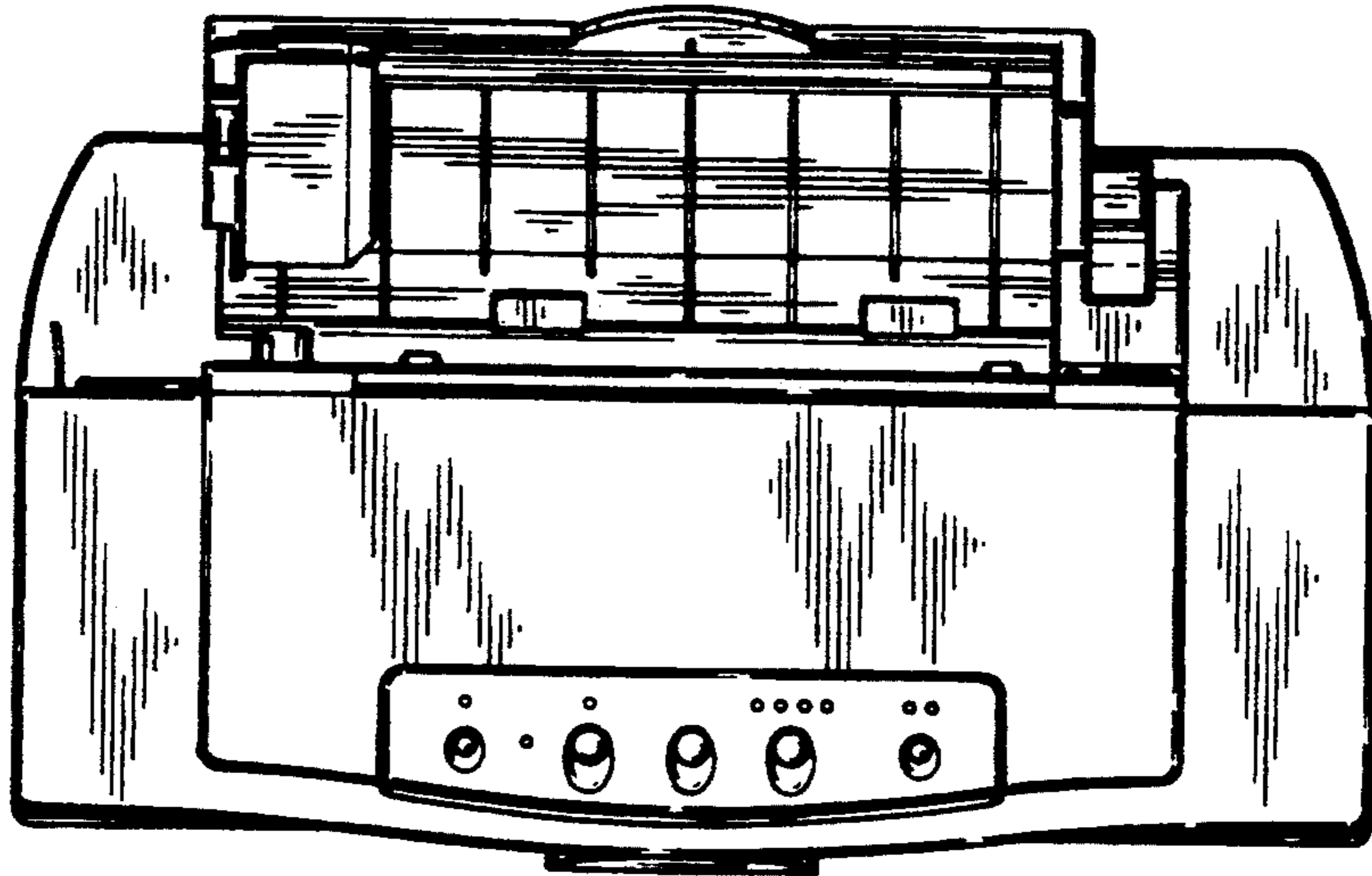


FIG. 4

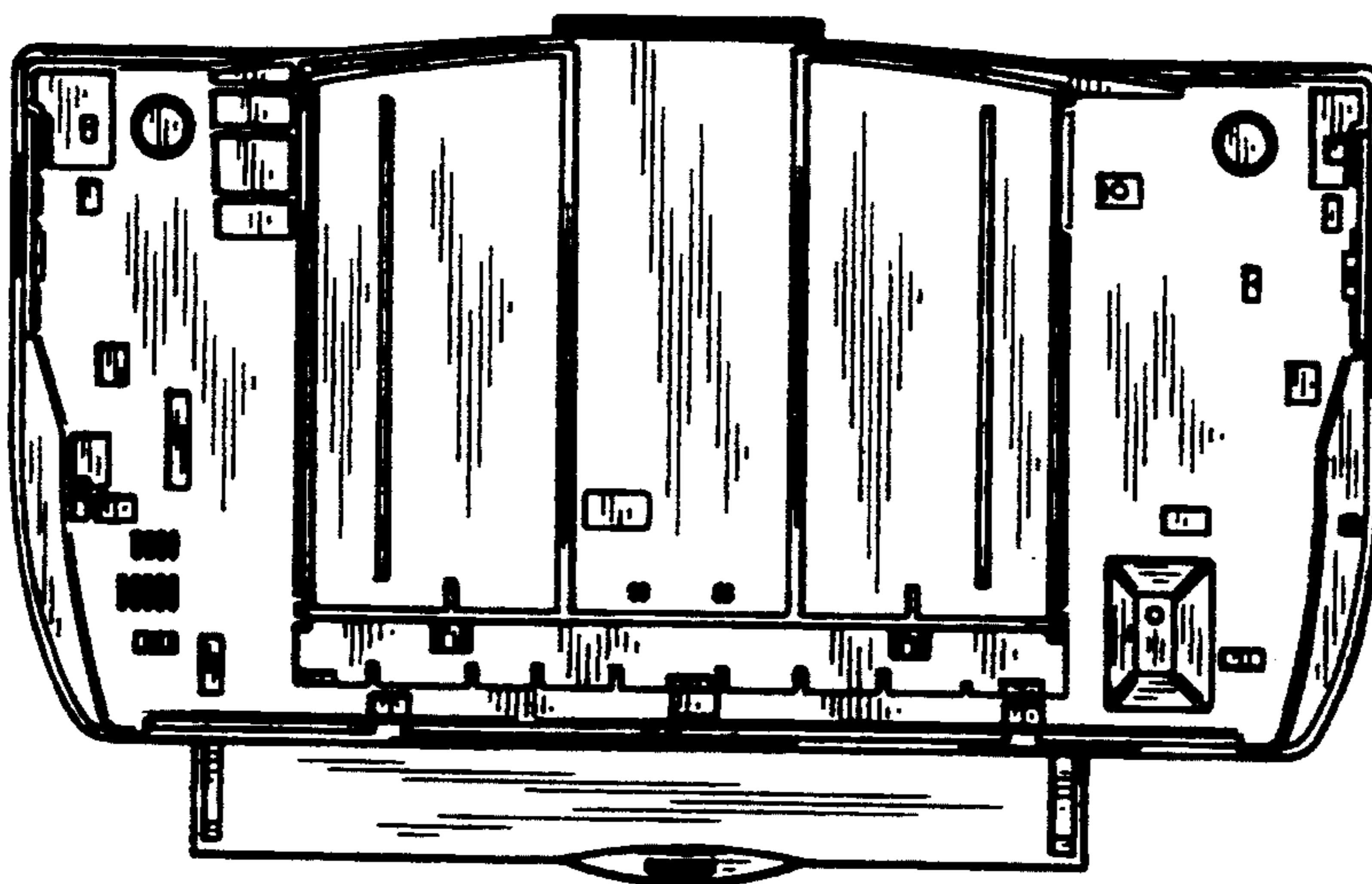


FIG. 5

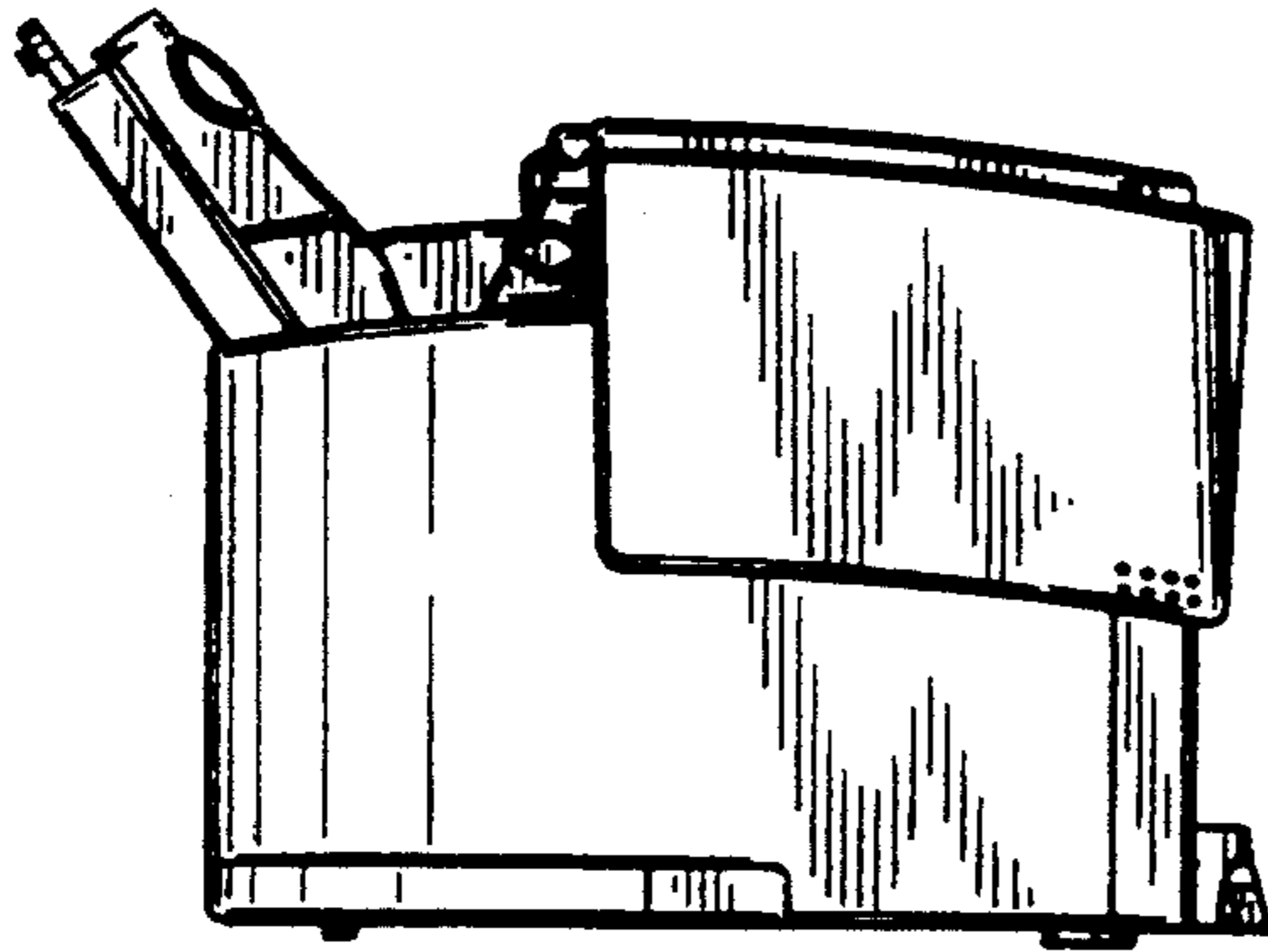


FIG. 6

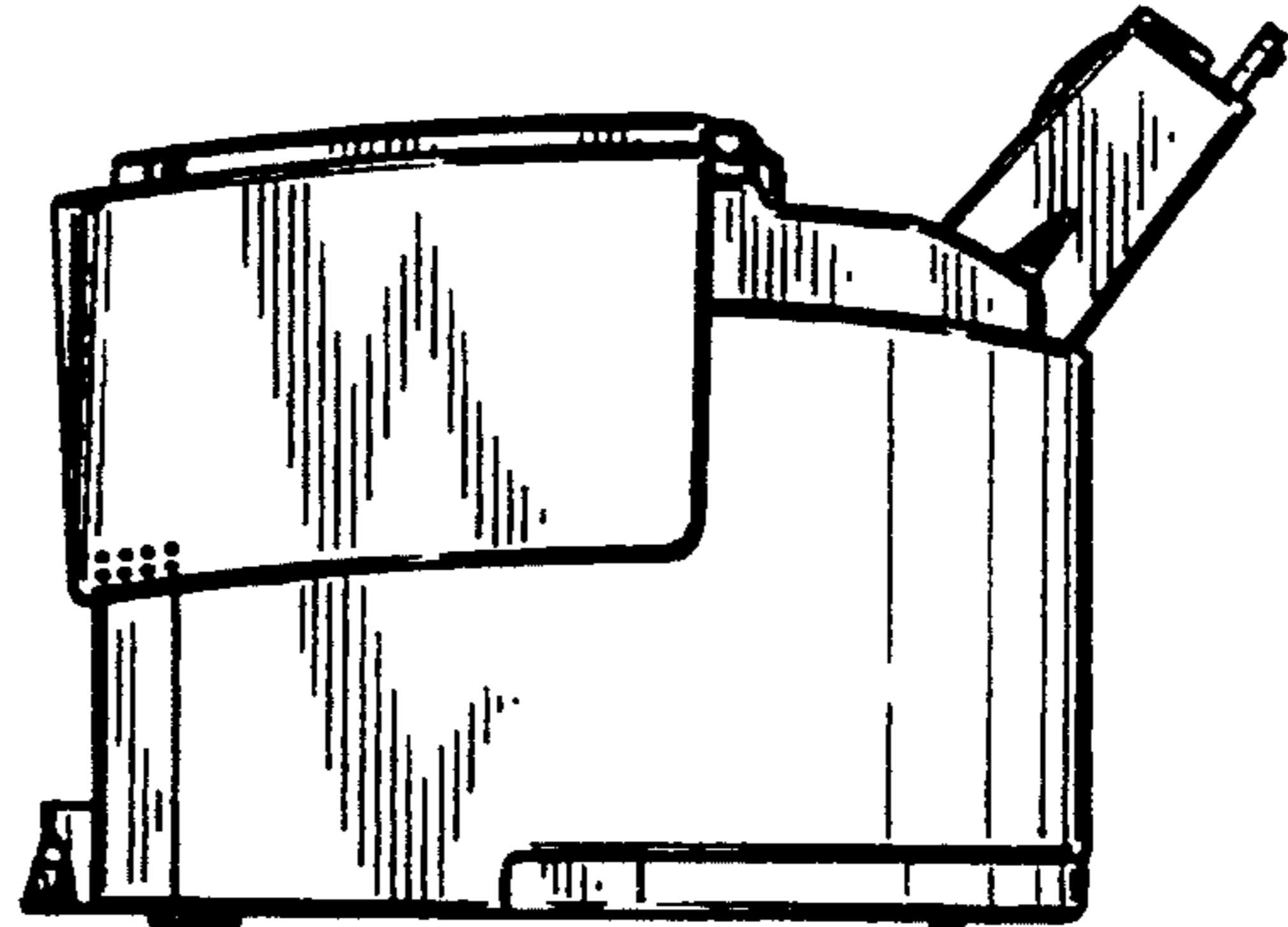
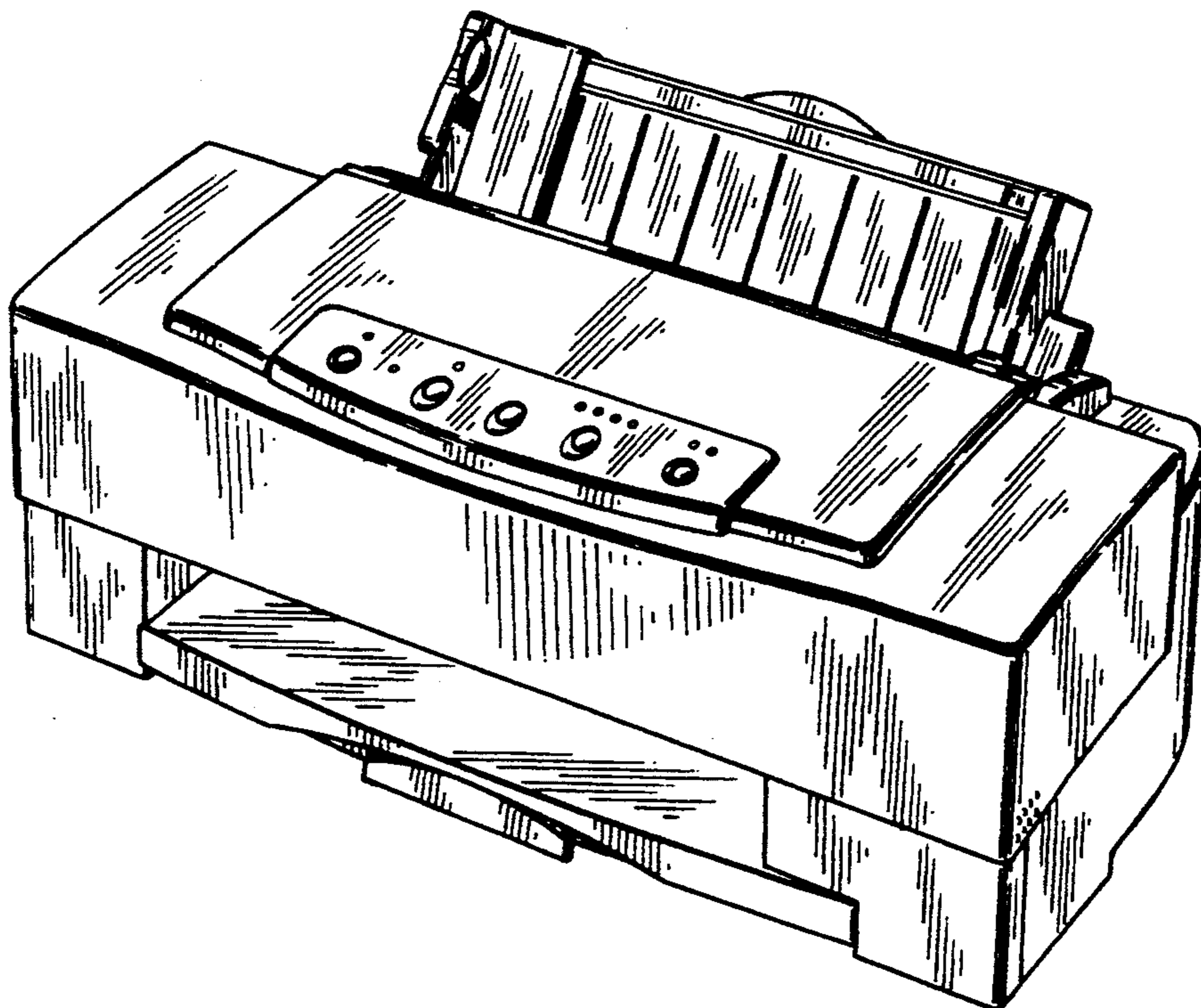


FIG. 7



UNITED STATES PATENT AND TRADEMARK OFFICE
CERTIFICATE OF CORRECTION

PATENT NO. : Des. 356,818
DATED : March 28, 1995
INVENTOR(S) : Tetsuya Sekine, et al

Page 1 of 2

It is certified that error appears in the above-identified patent and that said Letters Patent is hereby corrected as shown below:

ON THE TITLE PAGE

At [56] References Cited

Under U.S. PATENT DOCUMENTS insert

--D. 315,360	3/1991	Tokuda et al.	D18/54
D. 323,344	1/1992	Umino et al.	D18/54
D. 343,637	1/1994	Umino et al.	D18/55
D. 337,608	7/1993	Miyamoto	D18/55
D. 321,002	10/1991	Tashiro et al.	D18/54
D. 321,711	11/1991	Yoshihara et al.	D18/54
D. 285,211	8/1986	Nibley et al.	D18/55
D. 339,158	9/1993	Sato	D18/50
D. 339,157	9/1993	Miyamoto et al.	D18/50
D. 339,156	9/1993	Sato et al.	D18/50
D. 322,982	1/1992	Tashiro	D18/54
D. 322,981	1/1992	Tokuda	D18/54

UNITED STATES PATENT AND TRADEMARK OFFICE
CERTIFICATE OF CORRECTION

Page 2 of 2

PATENT NO. : Des. 356,818
DATED : March 28, 1995
INVENTOR(S) : TETSUYA SEKINE, ET AL.

It is certified that error appears in the above-identified patent and that said Letters Patent is hereby corrected as shown below:

At [56] References Cited (cont'd.)

Under U.S. PATENT DOCUMENTS

insert

D.339,372 9/1993 Kando D18/50--.

Signed and Sealed this
Eighteenth Day of July, 1995

Attest:



BRUCE LEHMAN

Attesting Officer

Commissioner of Patents and Trademarks