



US00D356817S

# United States Patent [19]

[11] Patent Number: **Des. 356,817**

Onumata et al.

[45] Date of Patent: **\*\* Mar. 28, 1995**

## [54] ELECTRONIC LABEL PRINTER

[75] Inventors: **Yuichi Onumata; Tadahisa Sawano**, both of Hachioji; **Takashi Yatabe**, Higashimurayama, all of Japan

[73] Assignee: **Casio Computer Co., Ltd.**, Tokyo, Japan

[\*\*] Term: **14 Years**

[21] Appl. No.: **10,462**

[22] Filed: **Jul. 8, 1993**

[52] U.S. Cl. .... **D18/19; D18/52**

[58] Field of Search ..... **D18/50, 54-55, D18/52, 19; 400/691-694, 613, 613.1-613.4, 690.1-690.4**

## [56] References Cited

### U.S. PATENT DOCUMENTS

D. 332,462	1/1993	Takahashi .....	D18/50
D. 335,653	5/1993	Rak .....	D18/52
D. 336,441	6/1993	Meyer .....	D18/52
D. 344,537	2/1994	Tsuchida et al. ....	D18/19
D. 344,753	3/1994	Watanabe .....	D18/52
4,253,774	3/1981	Hanakata et al. ....	400/691

## OTHER PUBLICATIONS

Kroy brochure; ©1990; Duratype 200 handheld thermal label printer.

Bennett Brothers, Inc. Catalog; Brother P-Touch Lettering System Printer.

King Jim brochure for "TEPRA-TR66" Label Printer; May 1992 (published).

Casio Brochure For Label Printer KL-500, Casio Computer Co, Ltd., Tokyo, Japan, May 1993.

Casio Brochure For Label Writer KL-2000, Casio Computer Co., Ltd., Tokyo, Japan, Nov. 1992.

*Primary Examiner*—Cathy Anne MacCormac

*Attorney, Agent, or Firm*—Frishauf, Holtz, Goodman & Woodward

## [57] CLAIM

The ornamental design for an electronic label printer, as shown.

## DESCRIPTION

FIG. 1 is a front elevation view of an electronic label printer showing our new design;

FIG. 2 is a right side elevation view thereof;

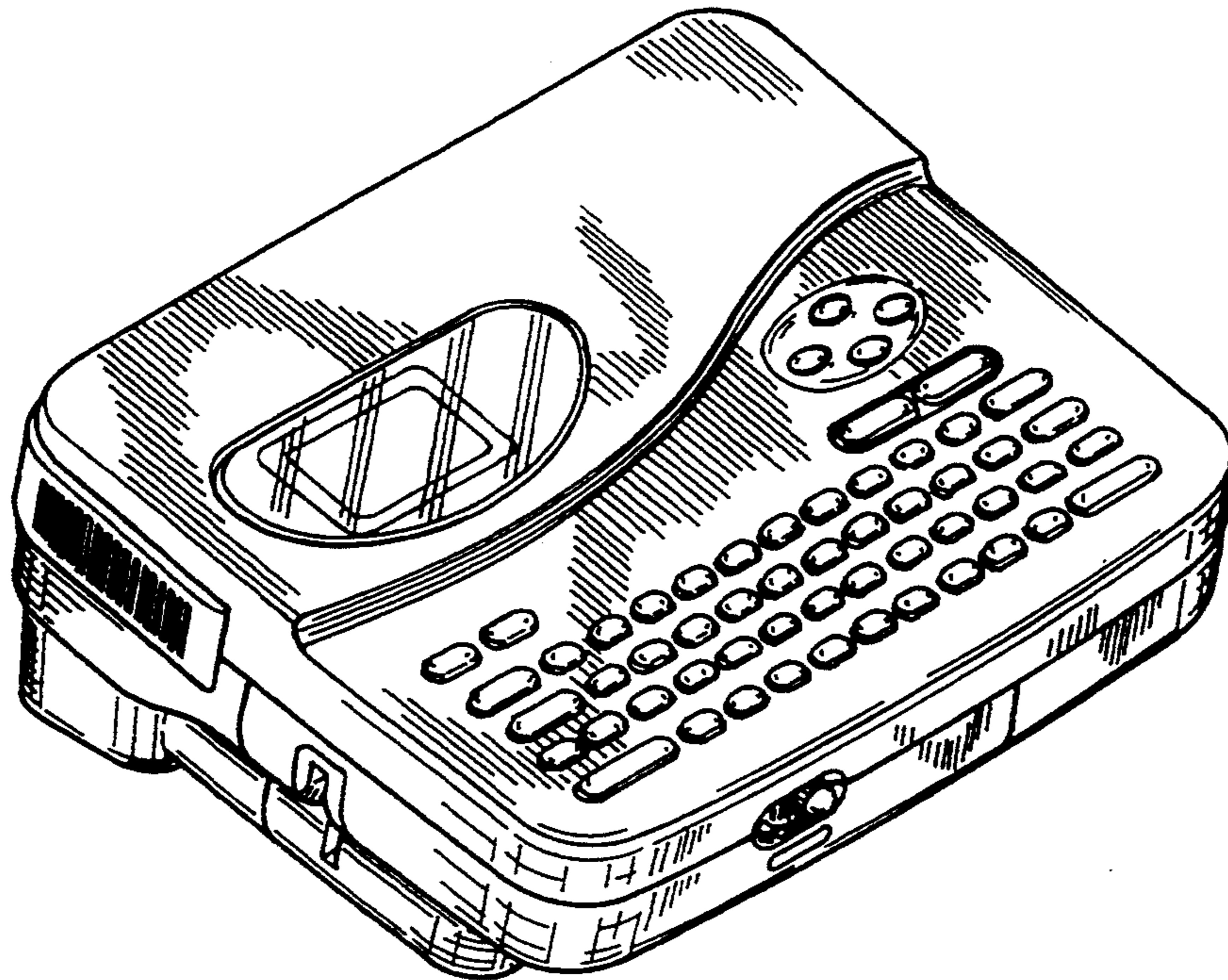
FIG. 3 is a left side elevation view thereof;

FIG. 4 is a top plan view thereof;

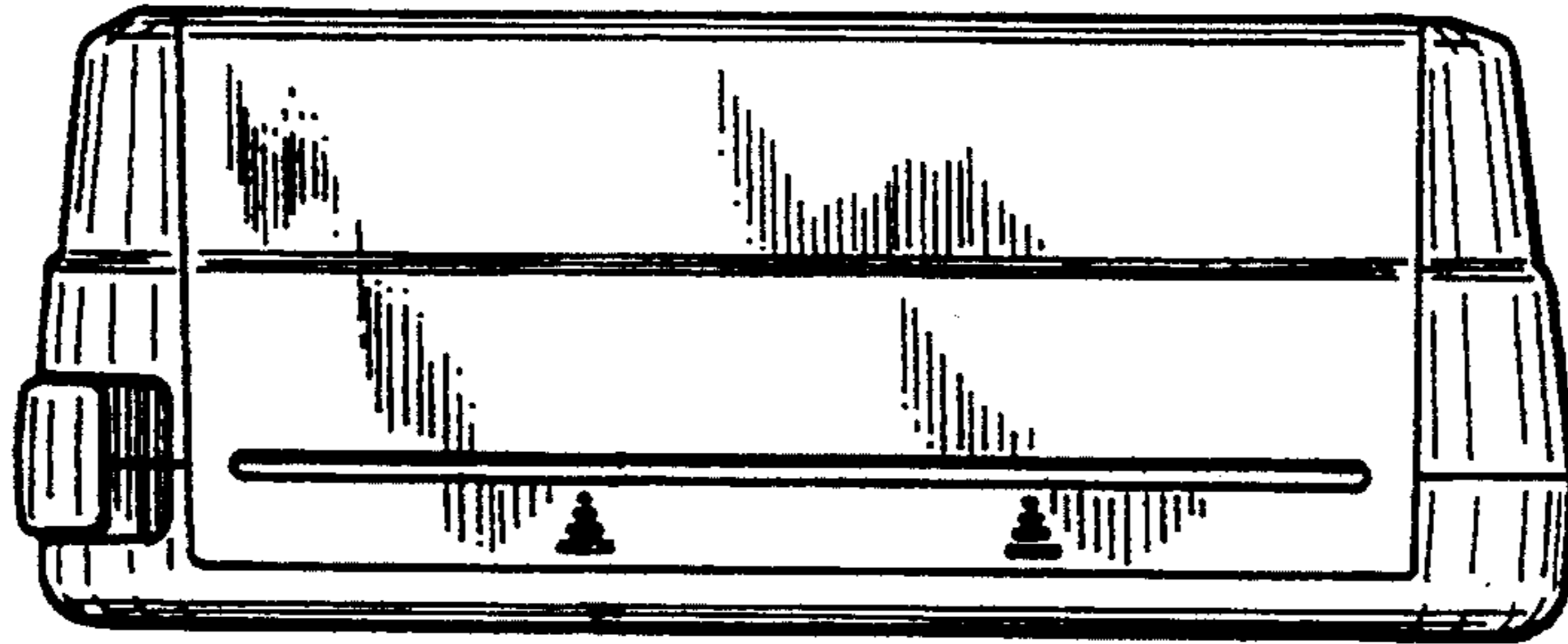
FIG. 5 is a bottom plan view thereof;

FIG. 6 is a rear elevation view thereof; and,

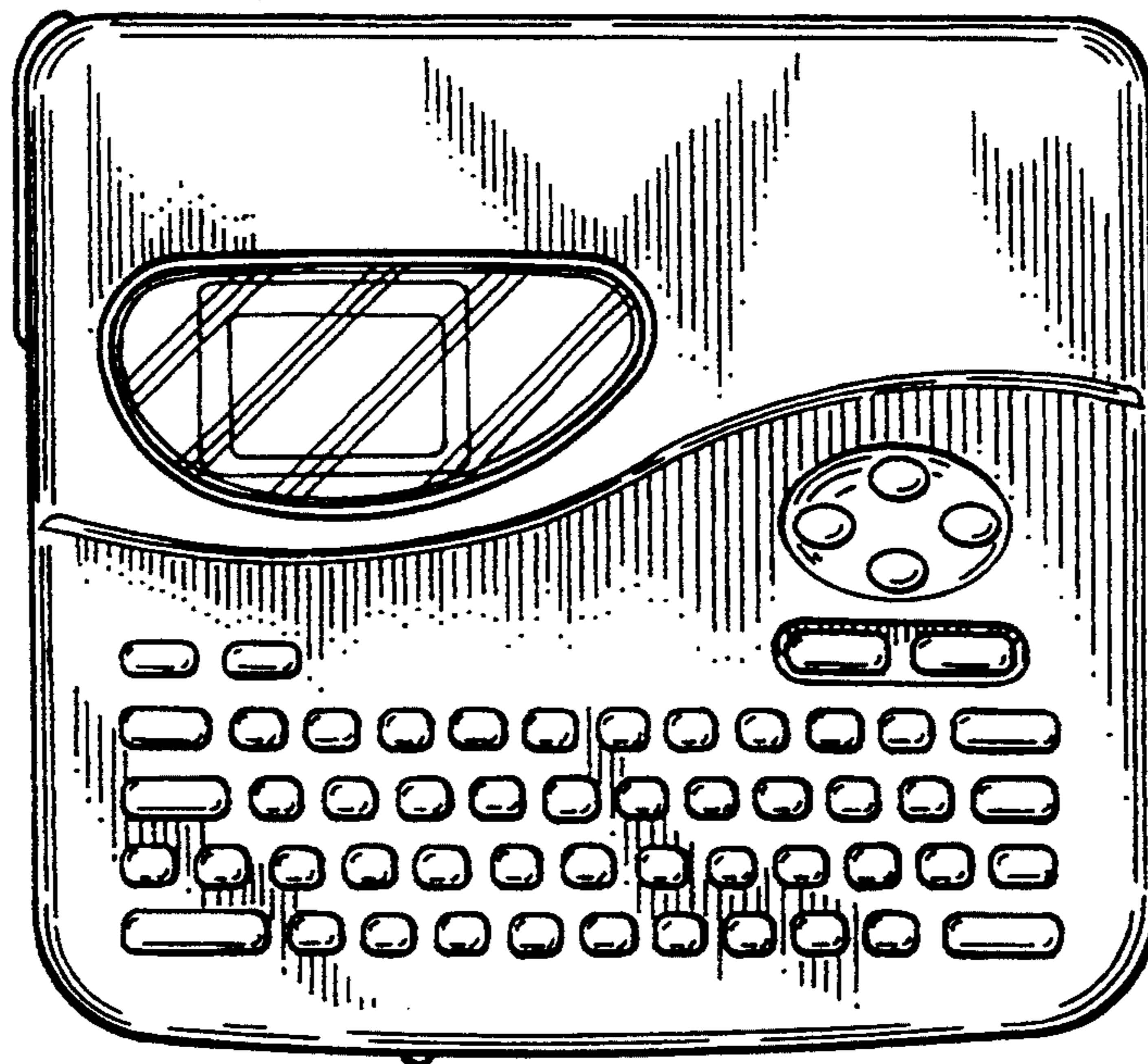
FIG. 7 is a view thereof.



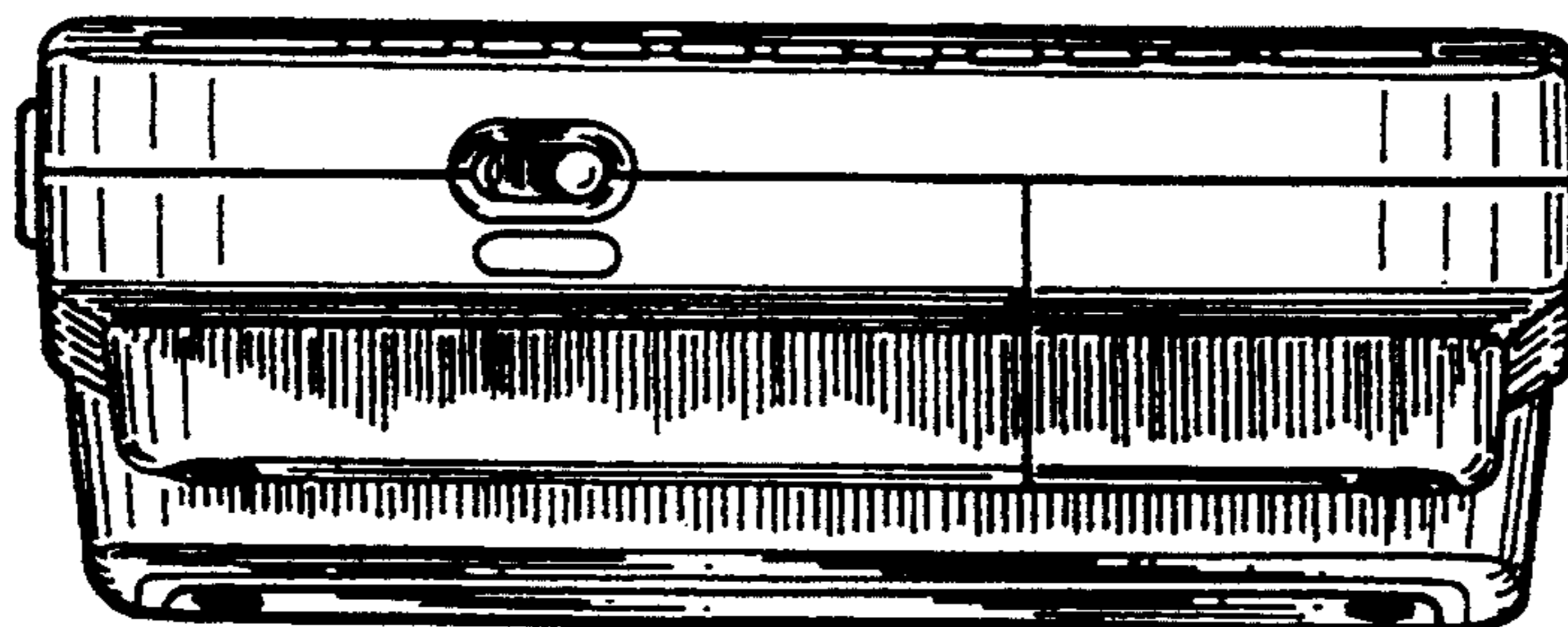
*FIG.4*



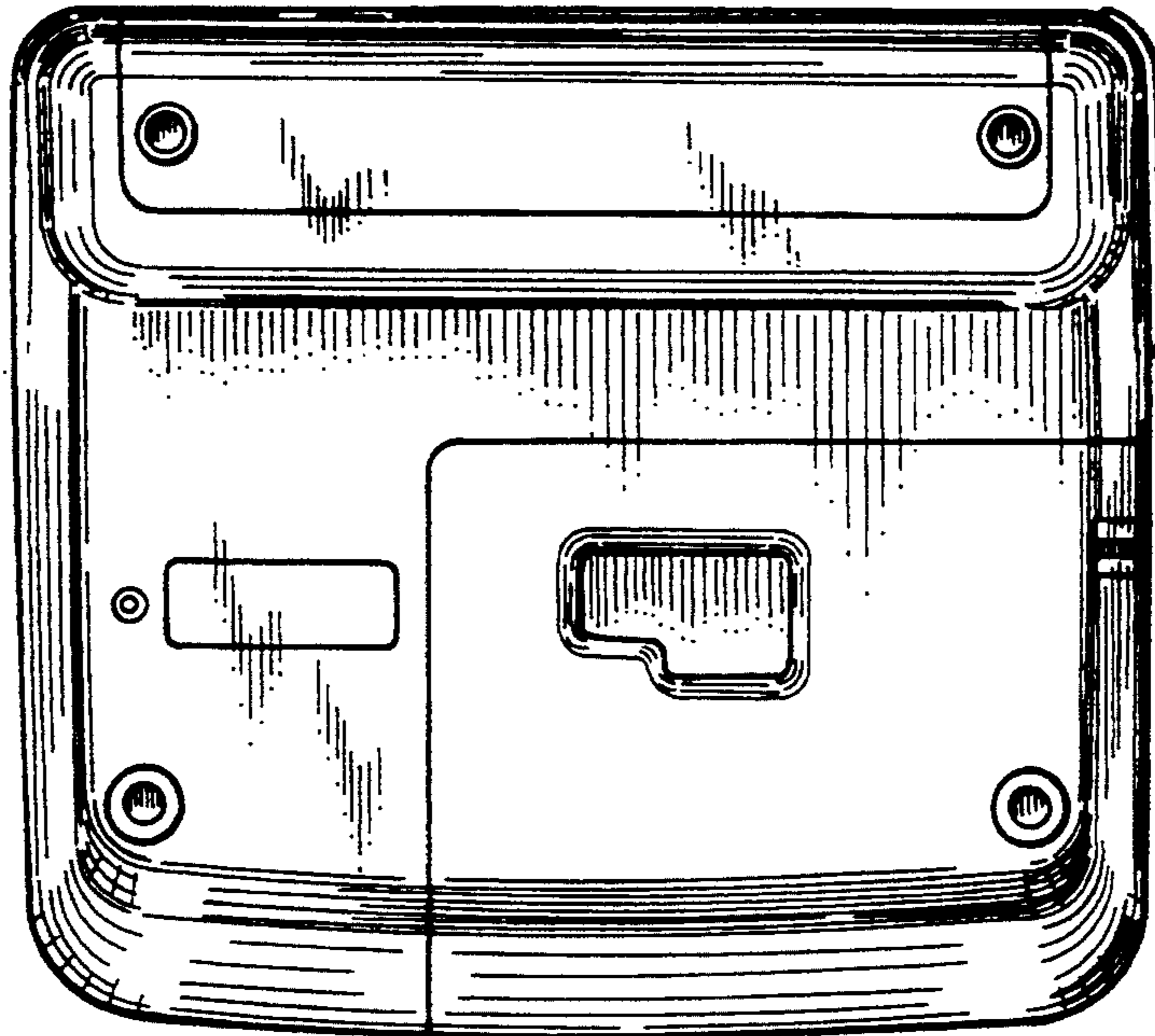
*FIG.1*



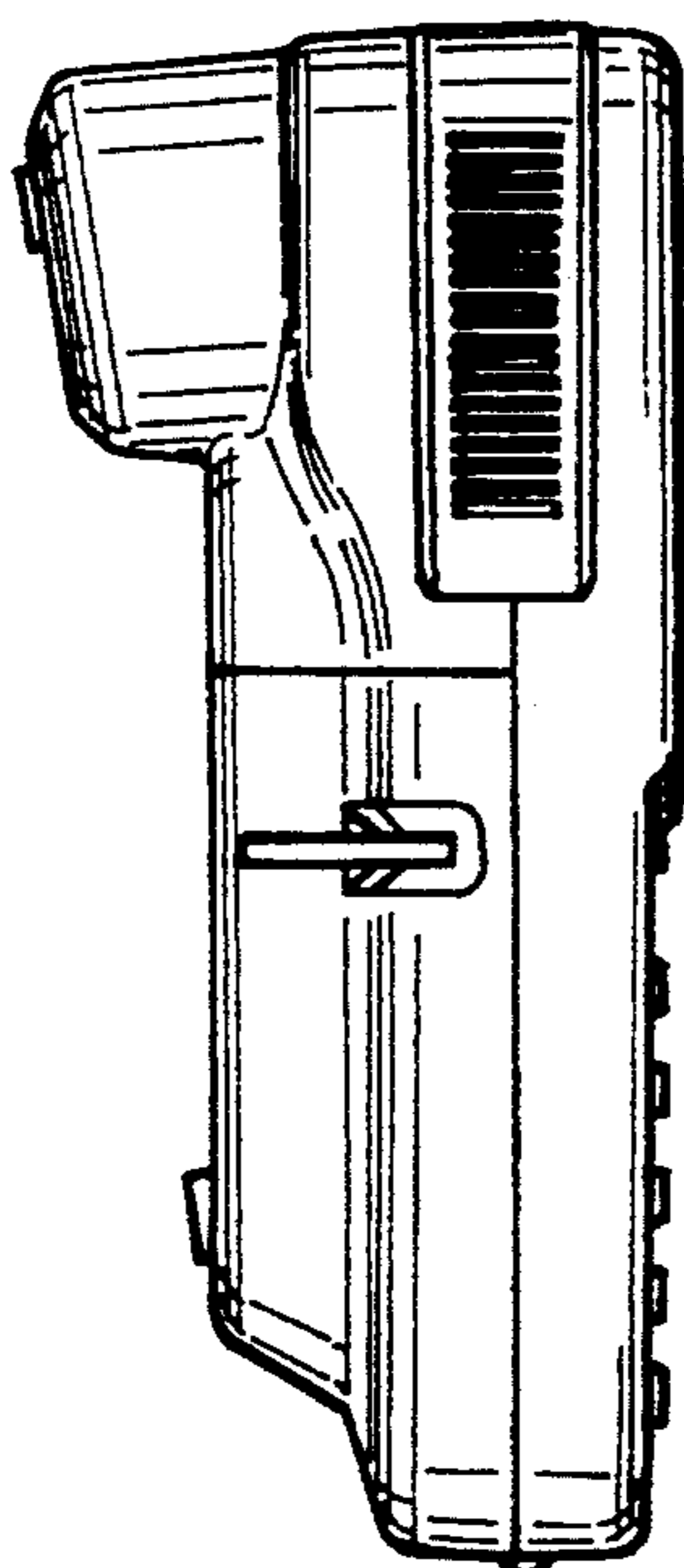
*FIG.5*



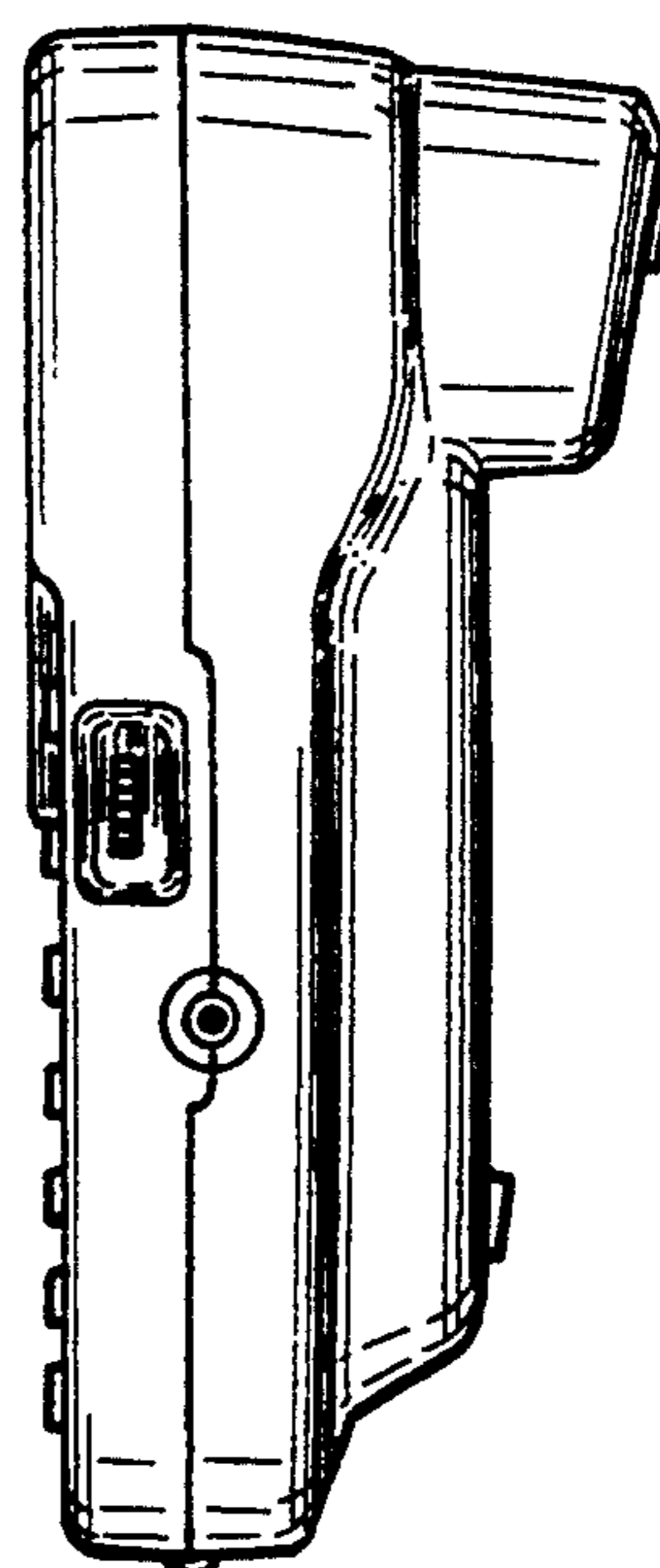
**FIG.6**



**FIG.3**



**FIG.2**



**FIG. 7**

