



US00D356815S

United States Patent [19]

Nakajima et al.

[11] Patent Number: **Des. 356,815**

[45] Date of Patent: **** Mar. 28, 1995**

[54] **TONER CARTRIDGE**

4,937,628 6/1990 Cipolla et al. D18/43 X

[75] Inventors: **Shigeki Nakajima; Yukio Ota; Yoshiharu Momiyama**, all of Tokyo, Japan

[73] Assignee: **Oki Electric Industry Co., Ltd.**, Tokyo, Japan

[**] Term: **14 Years**

[21] Appl. No.: **8,628**

[22] Filed: **May 21, 1993**

[30] **Foreign Application Priority Data**

Mar. 22, 1993 [JP] Japan 5-7780

[52] U.S. Cl. **D18/43**

[58] Field of Search D18/36, 40, 43; 222/DIG. 1; 355/200, 206, 208, 245, 260, 298

[56] **References Cited**

U.S. PATENT DOCUMENTS

- D. 208,377 8/1967 Wagner et al. D18/43
- D. 216,281 12/1969 Moyroud D18/43
- D. 218,805 9/1970 Stone D18/43
- D. 218,806 9/1970 Berg D18/43
- D. 240,201 6/1976 Avolio et al. D18/43
- D. 252,557 8/1979 Walker et al. D18/43
- D. 260,843 9/1981 Laird et al. D18/43
- D. 284,865 7/1986 Gendron D18/43
- D. 321,716 11/1991 Kikuchi et al. D18/43
- 4,850,303 7/1989 Cipolla et al. 222/DIG. 1 X

OTHER PUBLICATIONS

Catalogue "Count on Allstate as your Alternative Source for Copier Supplies." By All state Office Supply Corporation date unknown.

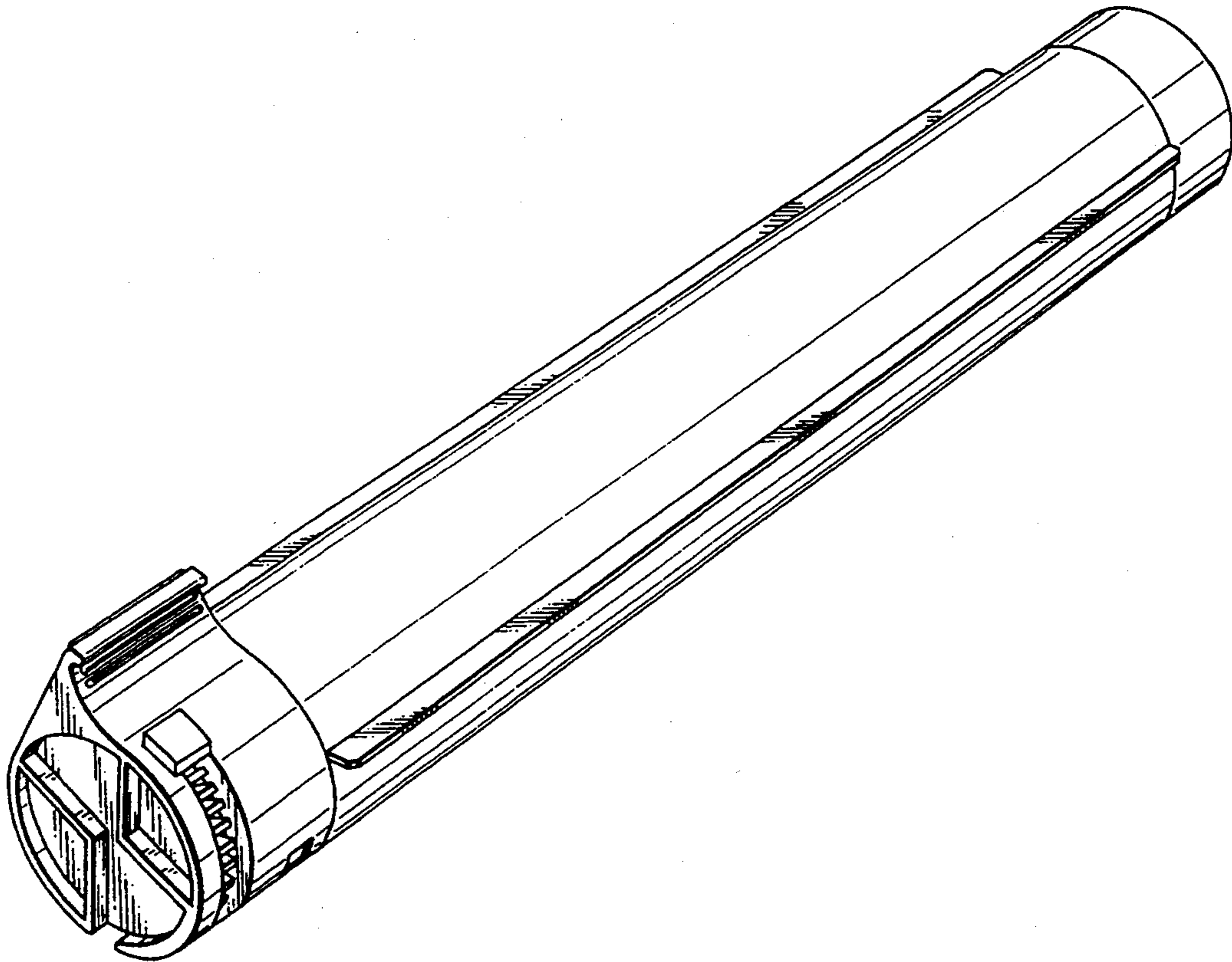
Primary Examiner—Alan P. Douglas
Assistant Examiner—Caron D. Veynar
Attorney, Agent, or Firm—Wenderoth, Lind & Ponack

[57] **CLAIM**

The ornamental design for a toner cartridge, as shown and described.

DESCRIPTION

FIG. 1 is a right side, top and rear perspective view of a toner cartridge showing our new design; FIG. 2 is a front elevational view thereof; FIG. 3 is a rear elevational view; FIG. 4 is a top plan view thereof; FIG. 5 is a bottom plan view thereof; FIG. 6 is a left side elevational side thereof; FIG. 7 is a right side elevational view thereof; FIG. 8 is a cross-sectional view thereof, taken along line VIII—VIII in FIG. 4; FIG. 9 is a cross-sectional view thereof, taken along line IX—IX in FIG. 2; and, FIG. 10 is a perspective view, the broken lines showing of an image cartridge being environmental only and forming no part of the claimed design.



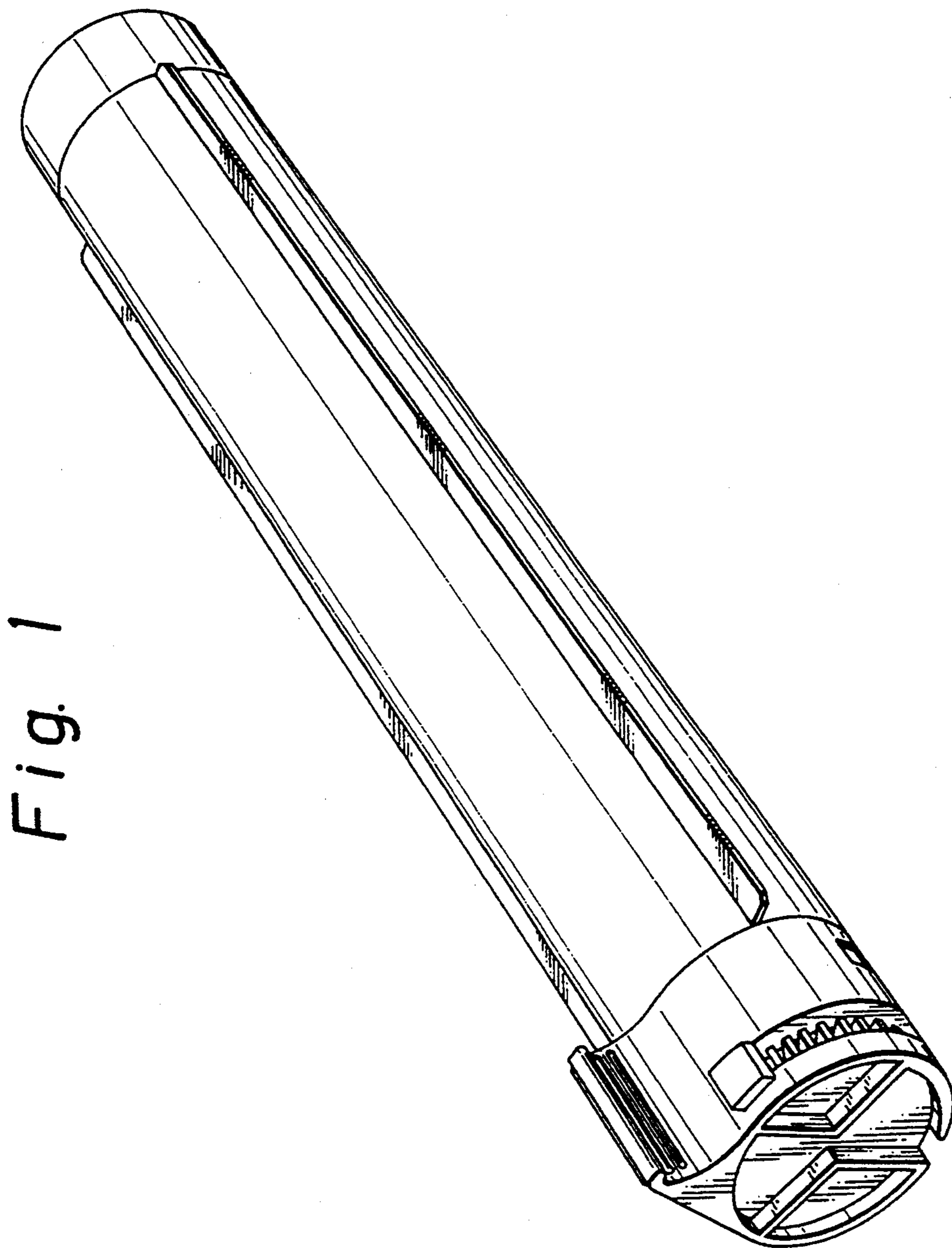


Fig. 1

Fig. 2

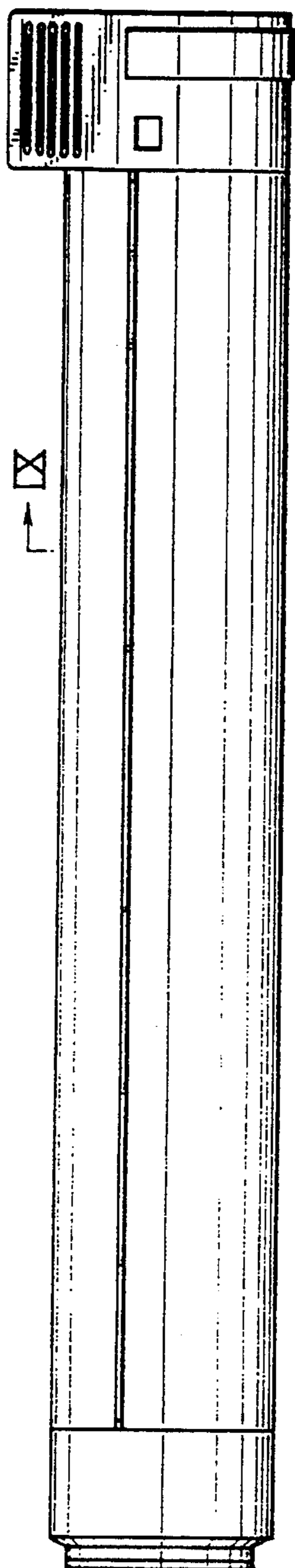


Fig. 3

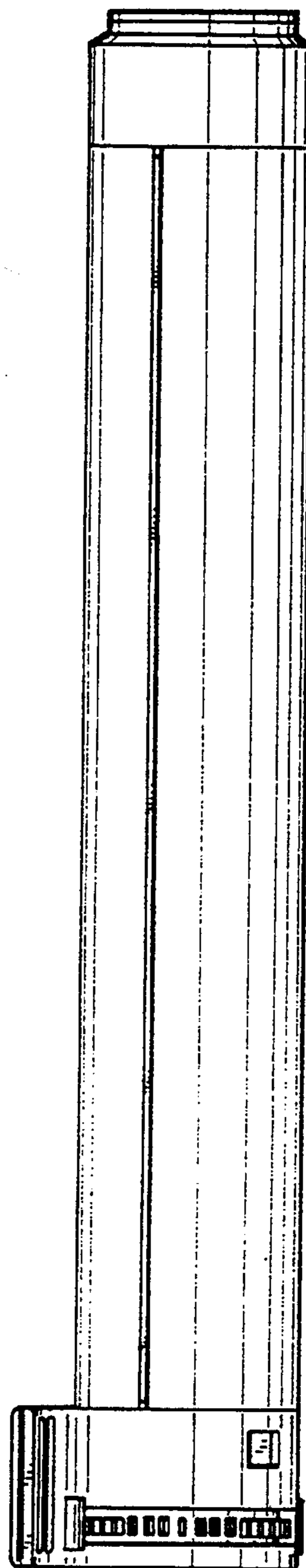


Fig. 4

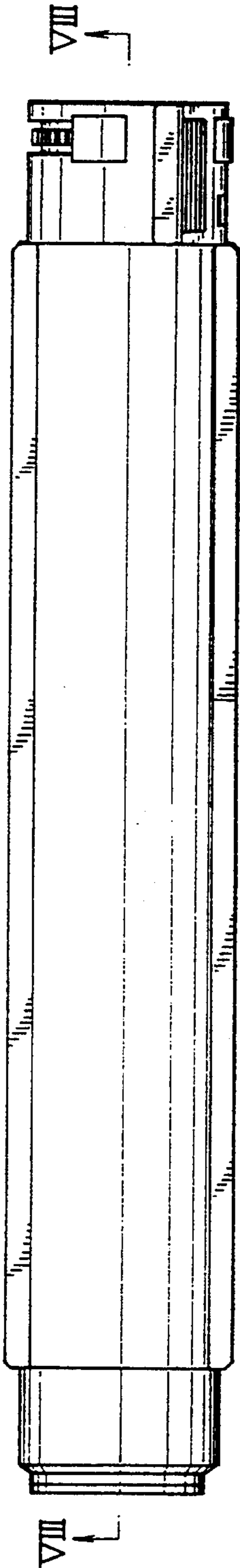


Fig. 5

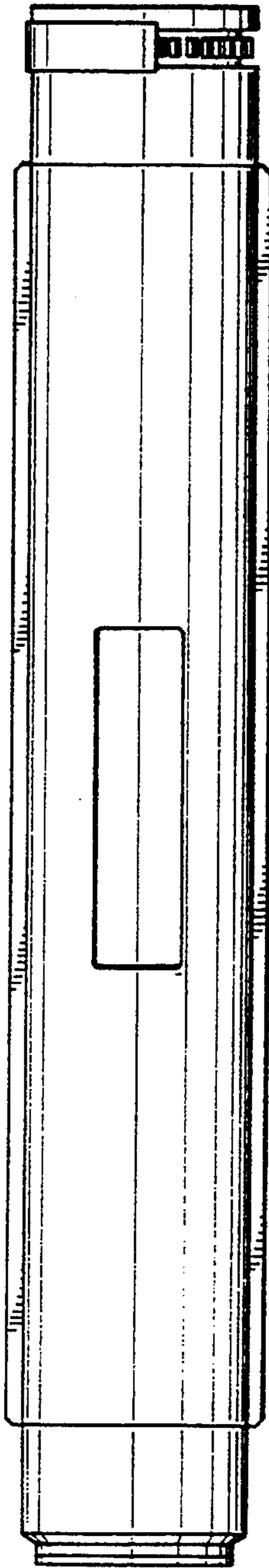


Fig. 6

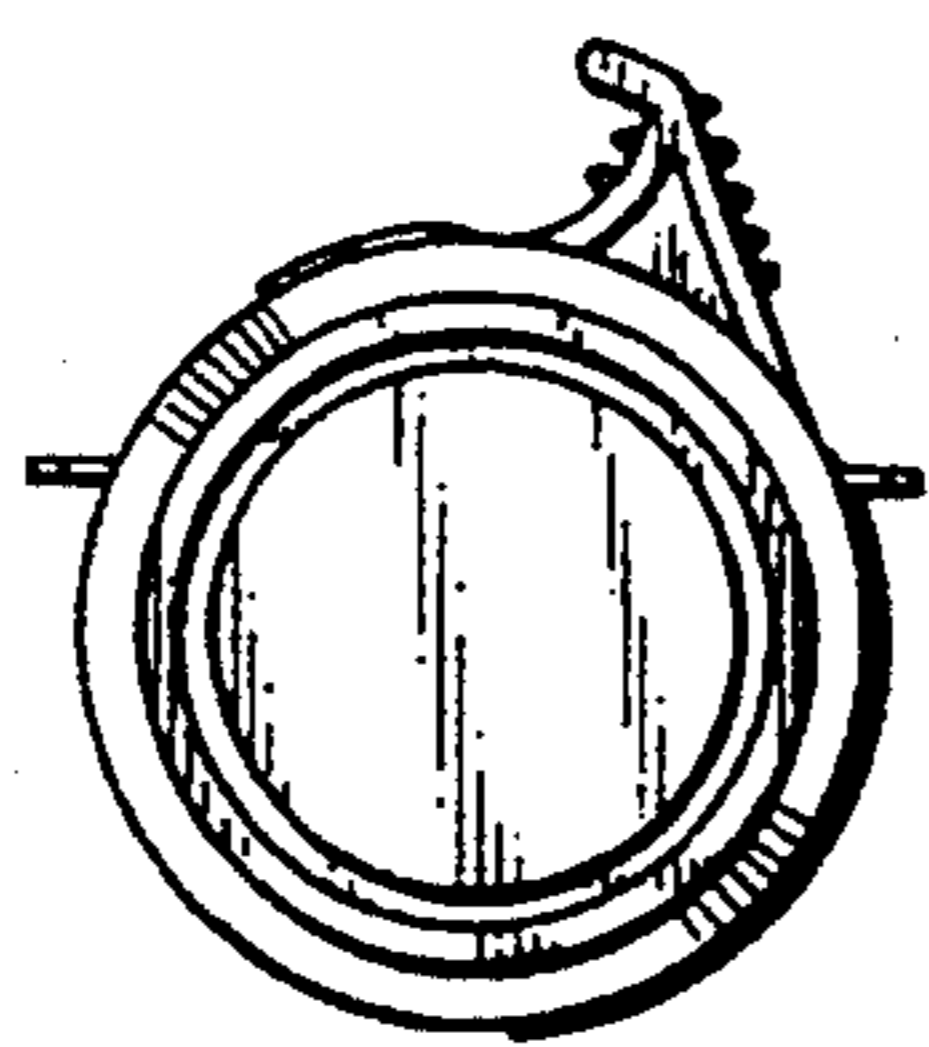


Fig. 7

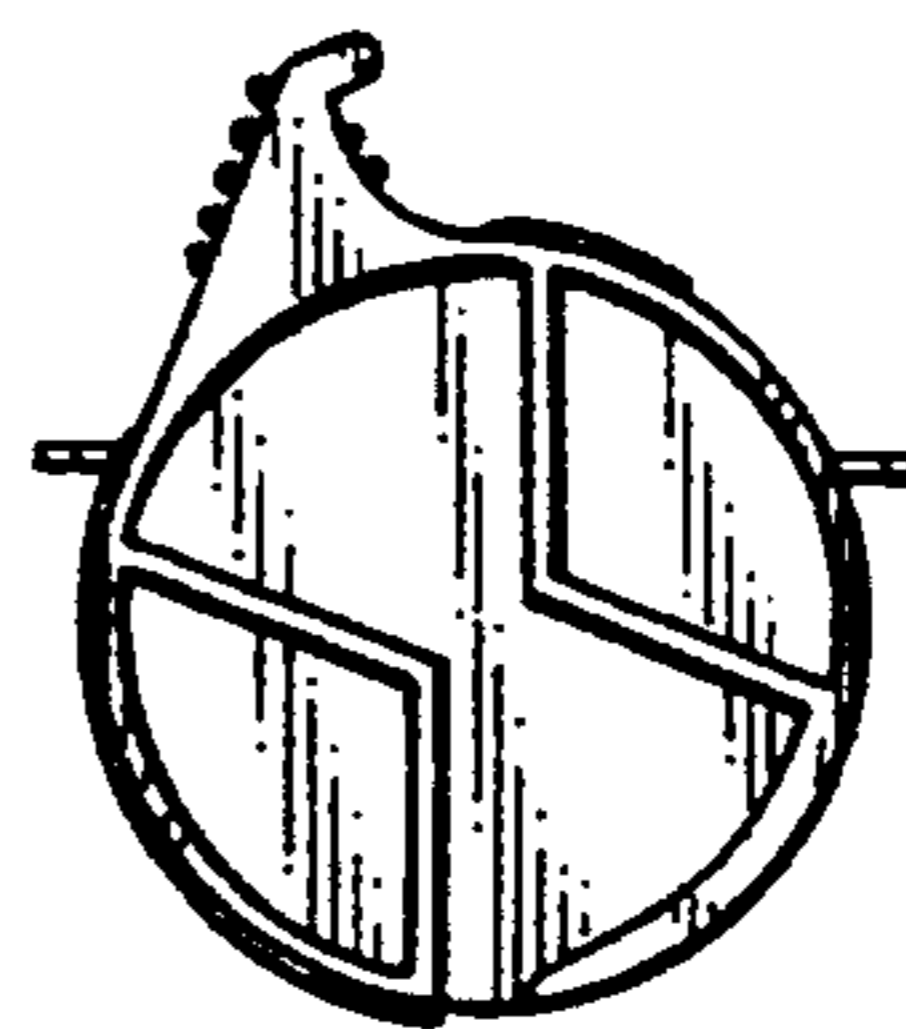


Fig. 8

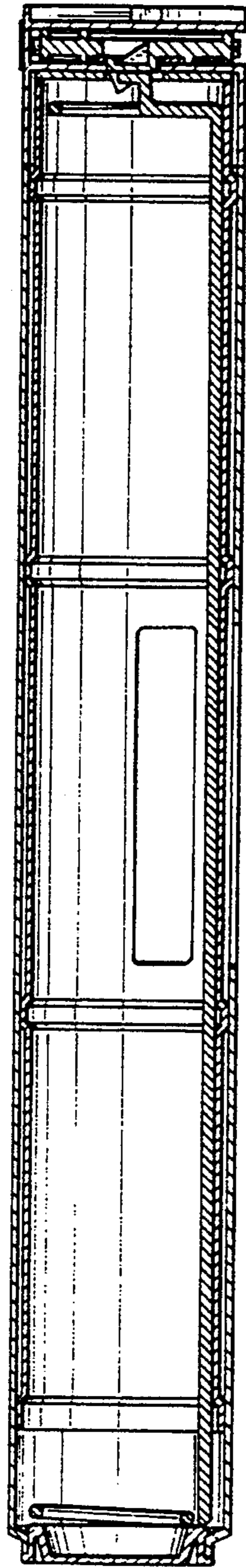


Fig. 9

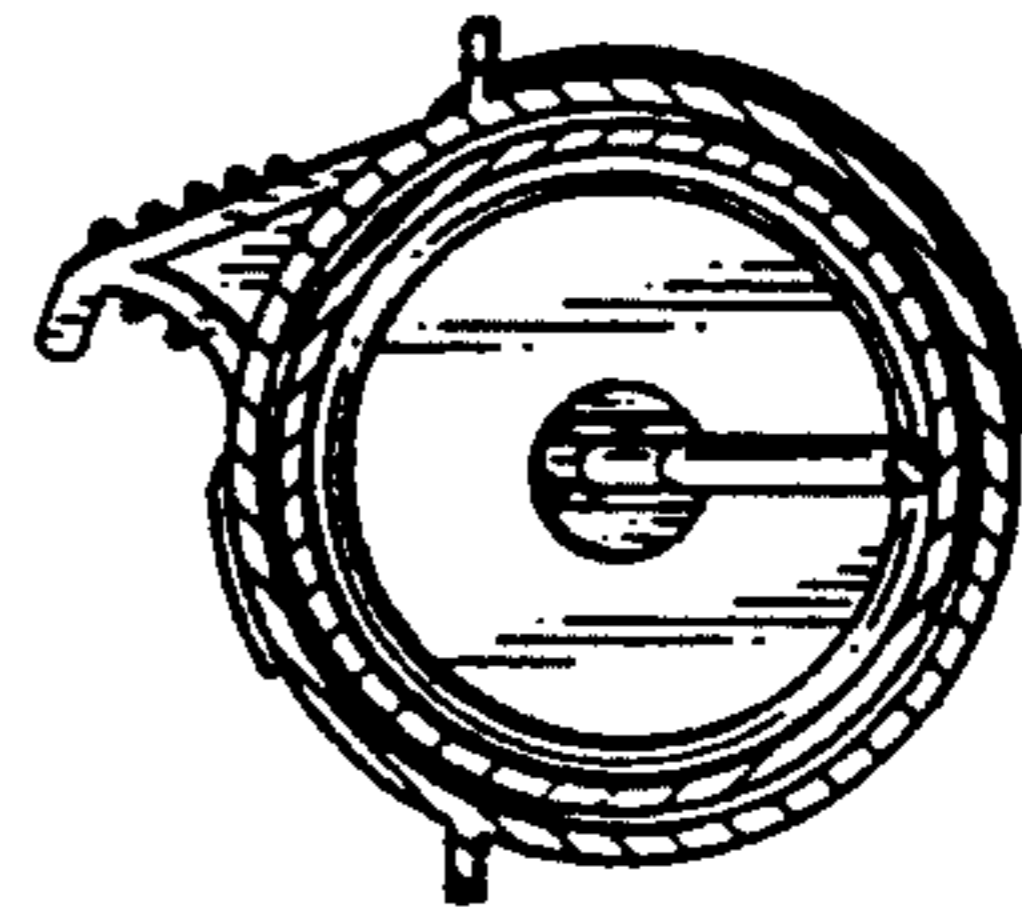


Fig. 10

