



US00D356806S

United States Patent [19] Kim

[11] Patent Number: **Des. 356,806**

[45] Date of Patent: **** Mar. 28, 1995**

[54] CAMCORDER

5,258,880 11/1993 Takahashi 358/906

[75] Inventor: **Young T. Kim**, Kyungki-do, Rep. of Korea

[73] Assignee: **Samsung Electronics Co., Ltd.**,
Kyungki-do, Rep. of Korea

[**] Term: **14 Years**

[21] Appl. No.: **16,639**

[22] Filed: **Dec. 21, 1993**

[52] U.S. Cl. **D16/202**

[58] Field of Search **D16/200-206;**
348/373-376; 354/82, 288; 358/906

[56] **References Cited**

U.S. PATENT DOCUMENTS

- D. 322,266 12/1991 Ichiyoshi D16/202
- D. 331,767 12/1992 Yoshida D16/202
- D. 342,083 12/1993 Kondoh D16/202
- D. 347,236 5/1994 Ooi et al. D16/202

OTHER PUBLICATIONS

Canon Product Catalog, 1989 p. 5 (E80 8MM Camcorder).

Video Magazine, Jun. 1992 p. 97 (Ricoh's Camcorder).

Primary Examiner—Bernard Ansher

Assistant Examiner—Adir Aronovich

Attorney, Agent, or Firm—Flynn, Thiel, Boutell & Tanis

[57] CLAIM

The ornamental design for a camcorder, as shown.

DESCRIPTION

FIG. 1 is a top, front perspective view of a camcorder showing my new design;

FIG. 2 is a top view thereof;

FIG. 3 is a bottom view thereof;

FIG. 4 is a front elevational view thereof;

FIG. 5 is a rear elevational view thereof;

FIG. 6 is a left-side elevational view thereof; and,

FIG. 7 is a right-side elevational view thereof.

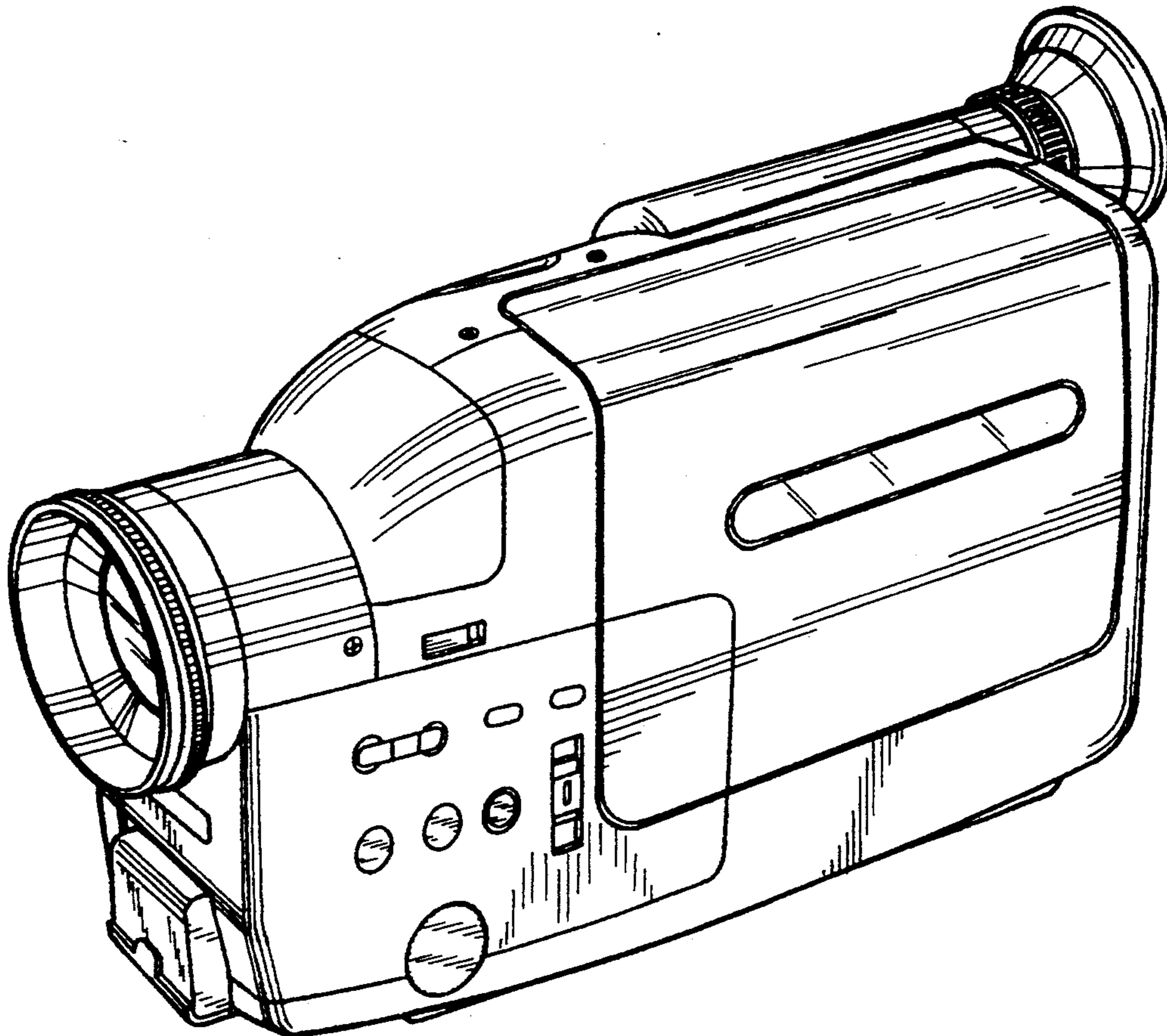


FIG. 1

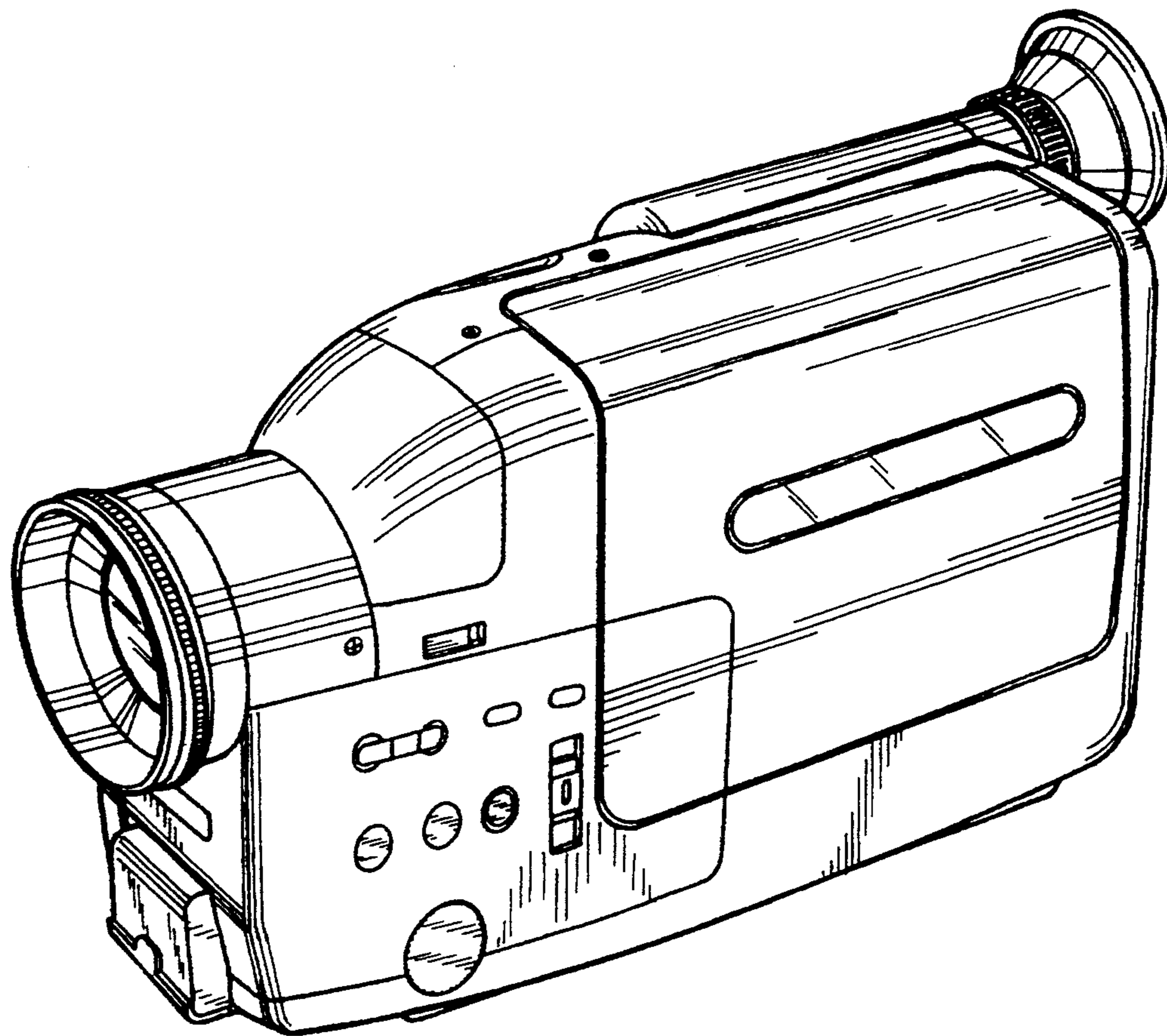


FIG. 2

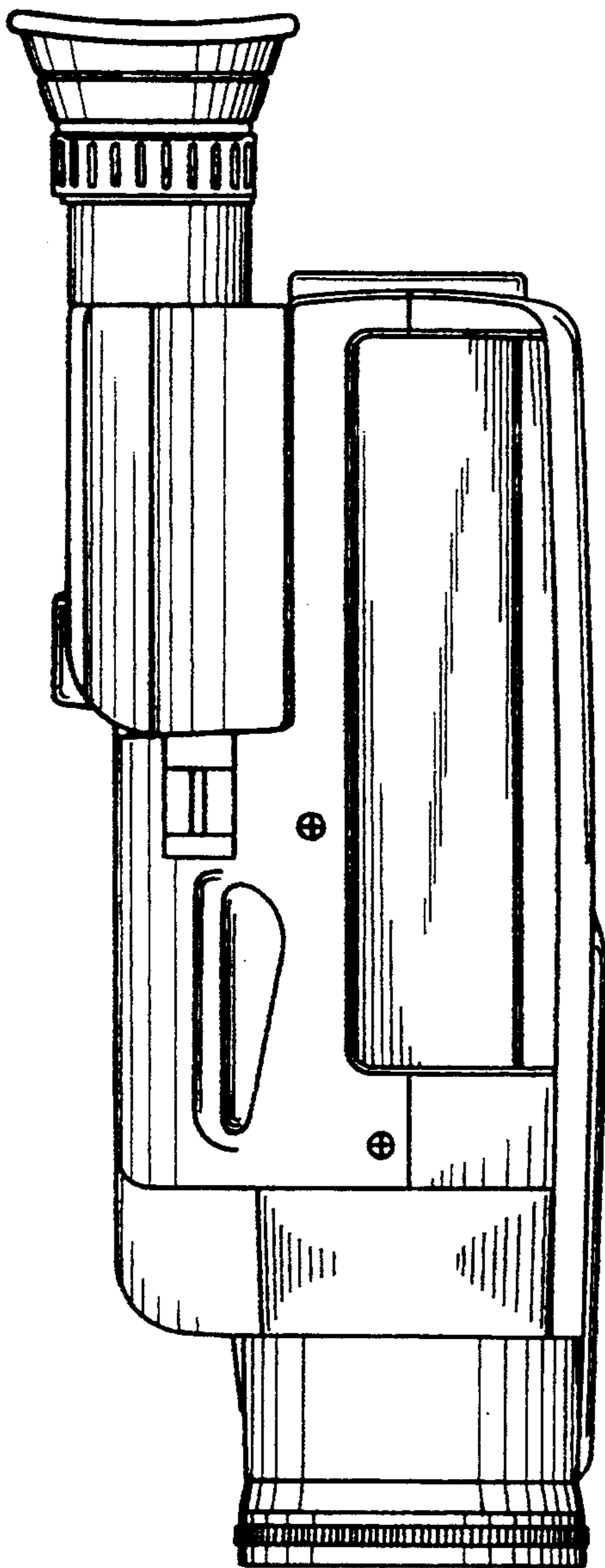


FIG. 3

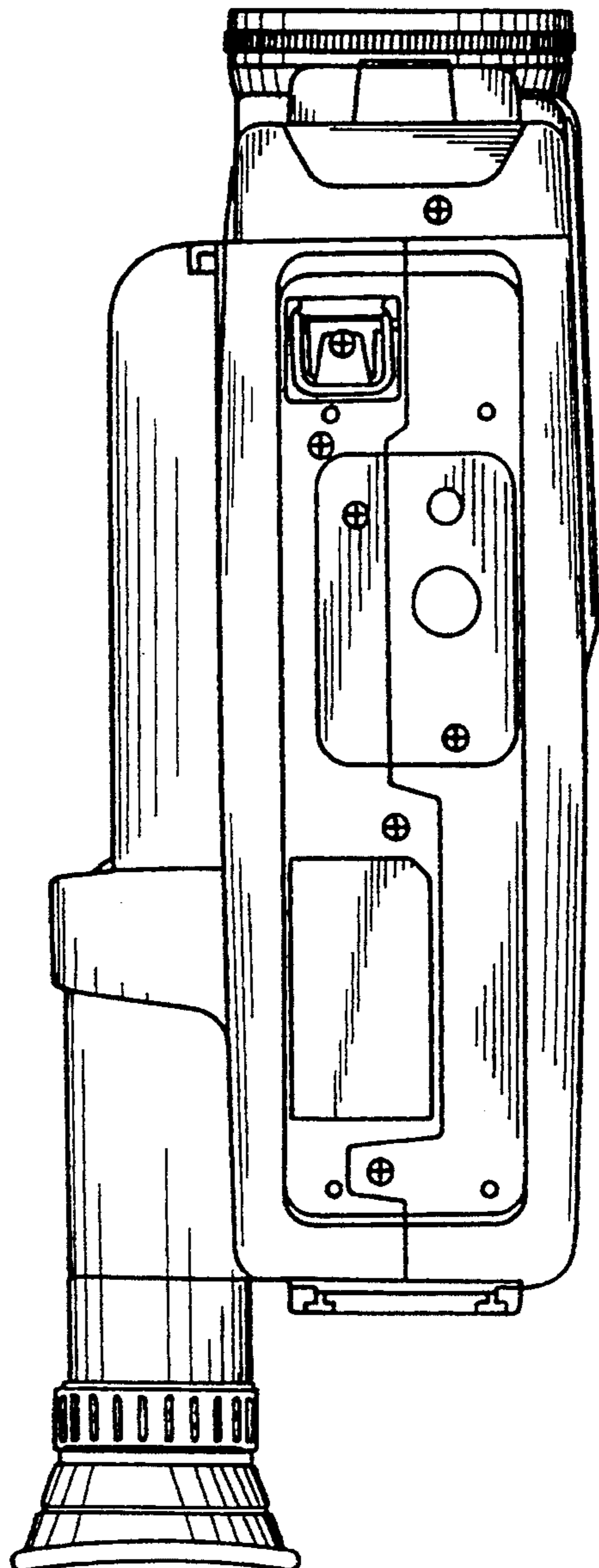


FIG. 4

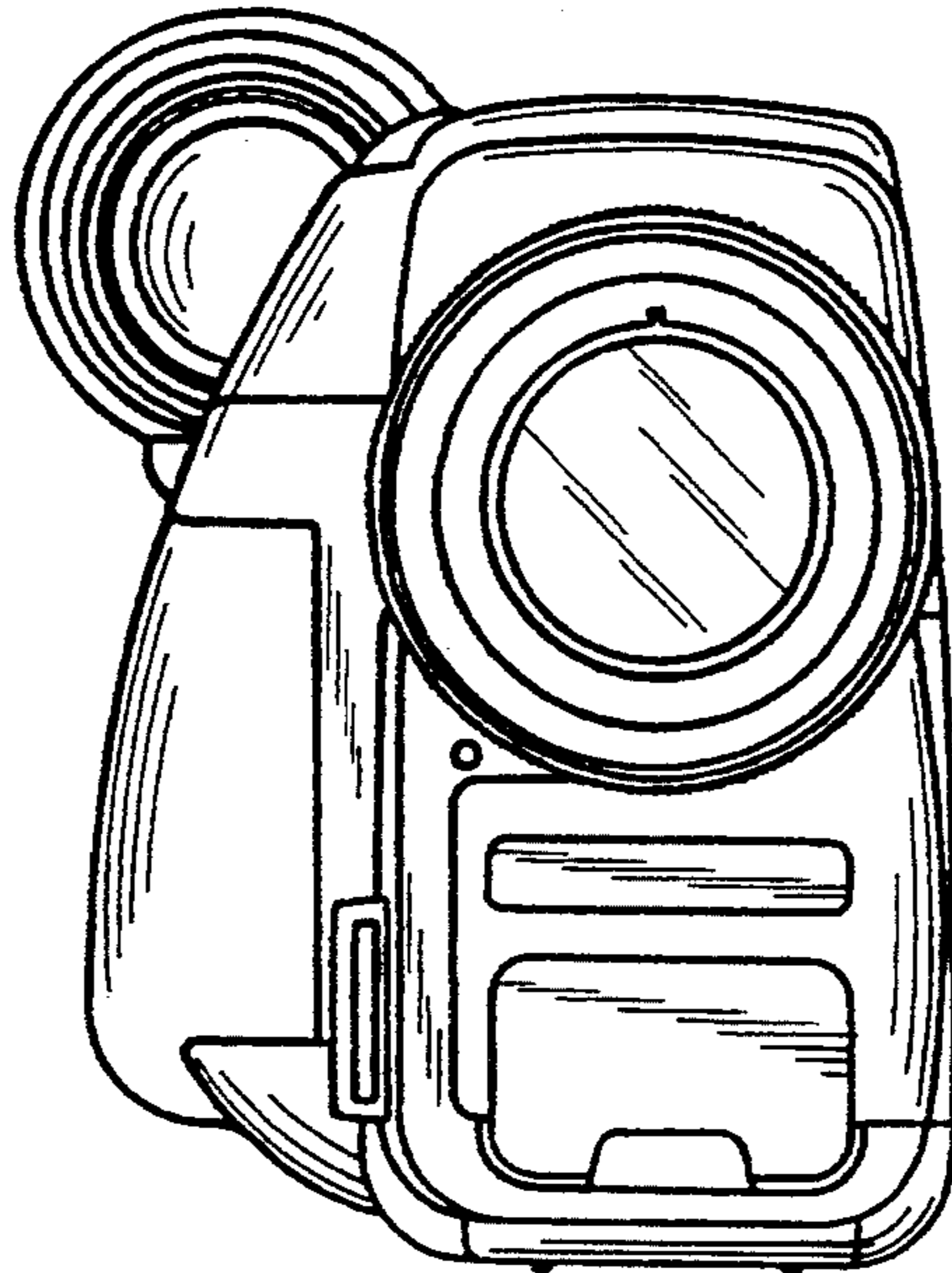
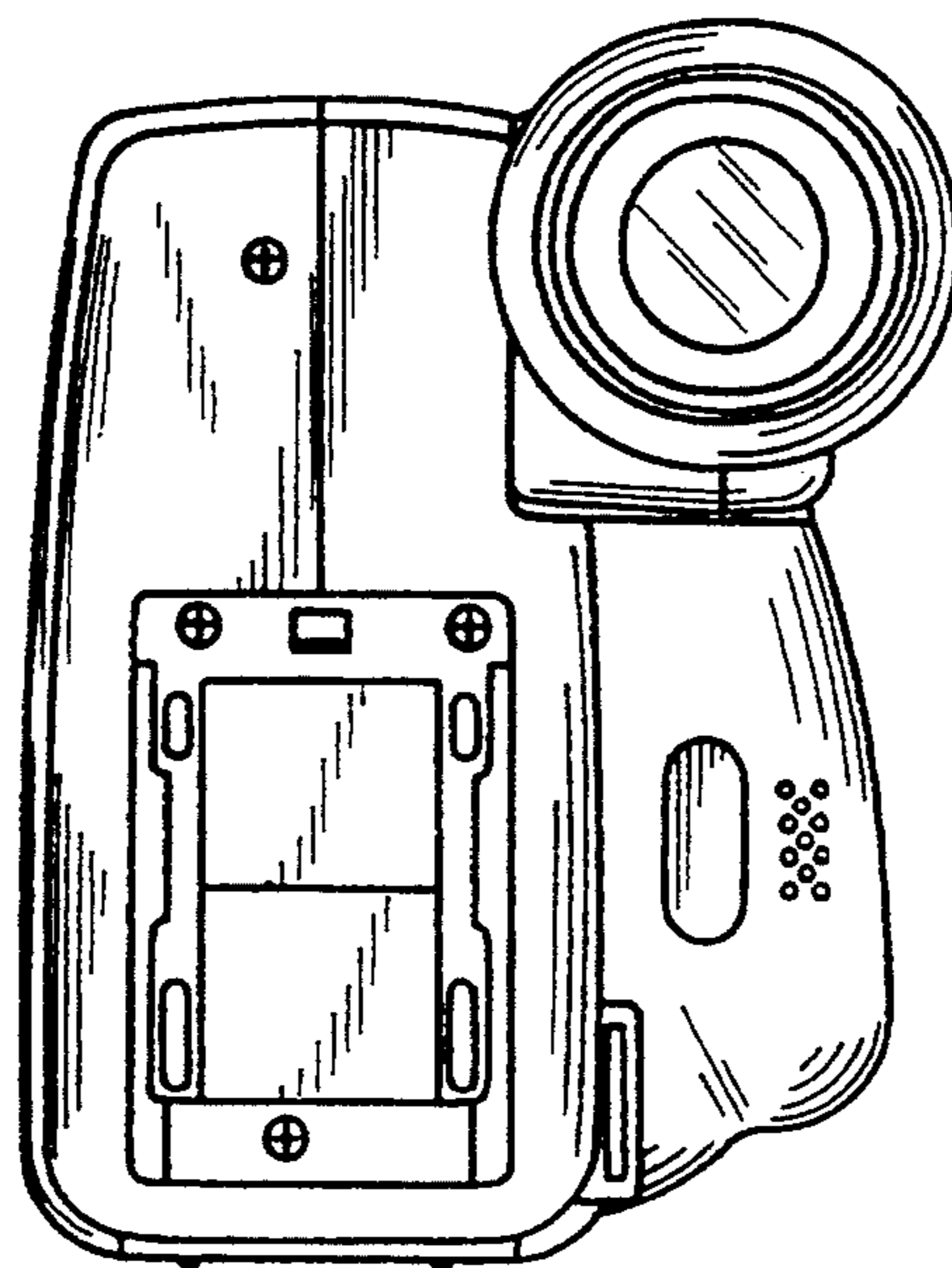
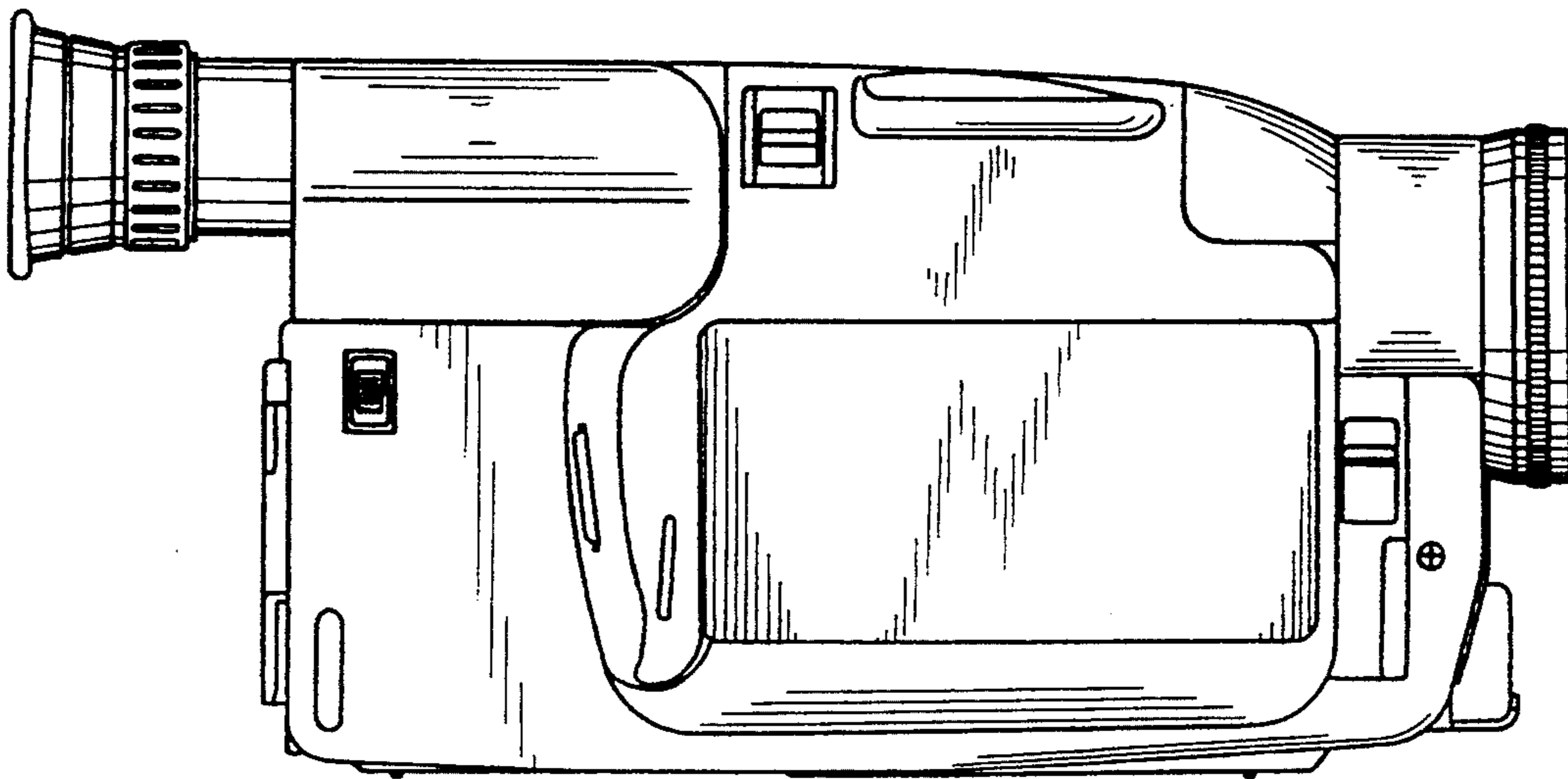


FIG. 5



FIG, 6



FIG, 7

