



US00D356804S

# United States Patent [19]

[11] Patent Number: **Des. 356,804**

Hofmann-Igl

[45] Date of Patent: **\*\* Mar. 28, 1995**

[54] **INVERTED MICROSCOPE**

[75] Inventor: **Ernest Hofmann-Igl, Davos-Platz, Germany**

[73] Assignee: **Leica Mikroskopie und Systeme GmbH, Wetzlar, Germany**

[\*\*] Term: **14 Years**

[21] Appl. No.: **12,744**

[22] Filed: **Sep. 10, 1993**

[30] **Foreign Application Priority Data**

Mar. 11, 1993 [DE] Germany ..... M 93 02 095.3

[52] U.S. Cl. .... **D16/131**

[58] Field of Search ..... D16/131; 359/391, 368, 359/393, 385, 383, 382, 392, 377, 376, 381, 388, 390

4,210,384 7/1980 Meyer et al. .... 359/385 X

4,573,772 3/1986 Endo et al. .... D16/131 X

4,749,270 6/1988 Endo et al. .... 359/393 X

### OTHER PUBLICATIONS

The Fisher Catalog, 91-92, p. 1055, Biostar Inverted Microscope.

*Primary Examiner*—A. Hugo Word  
*Assistant Examiner*—Doris V. Coles  
*Attorney, Agent, or Firm*—Evenson, McKeown, Edwards & Lenahan

### [57] CLAIM

The ornamental design for an inverted microscope, as shown and described.

### DESCRIPTION

FIG. 1 is a perspective view of an inverted microscope showing my new design;  
 FIG. 2 is a front elevational view thereof;  
 FIG. 3 is a rear elevational view thereof;  
 FIG. 4 is a left-side elevational view thereof;  
 FIG. 5 is a right-side elevational view thereof;  
 FIG. 6 is a top view thereof; and,  
 FIG. 7 is a bottom view thereof.

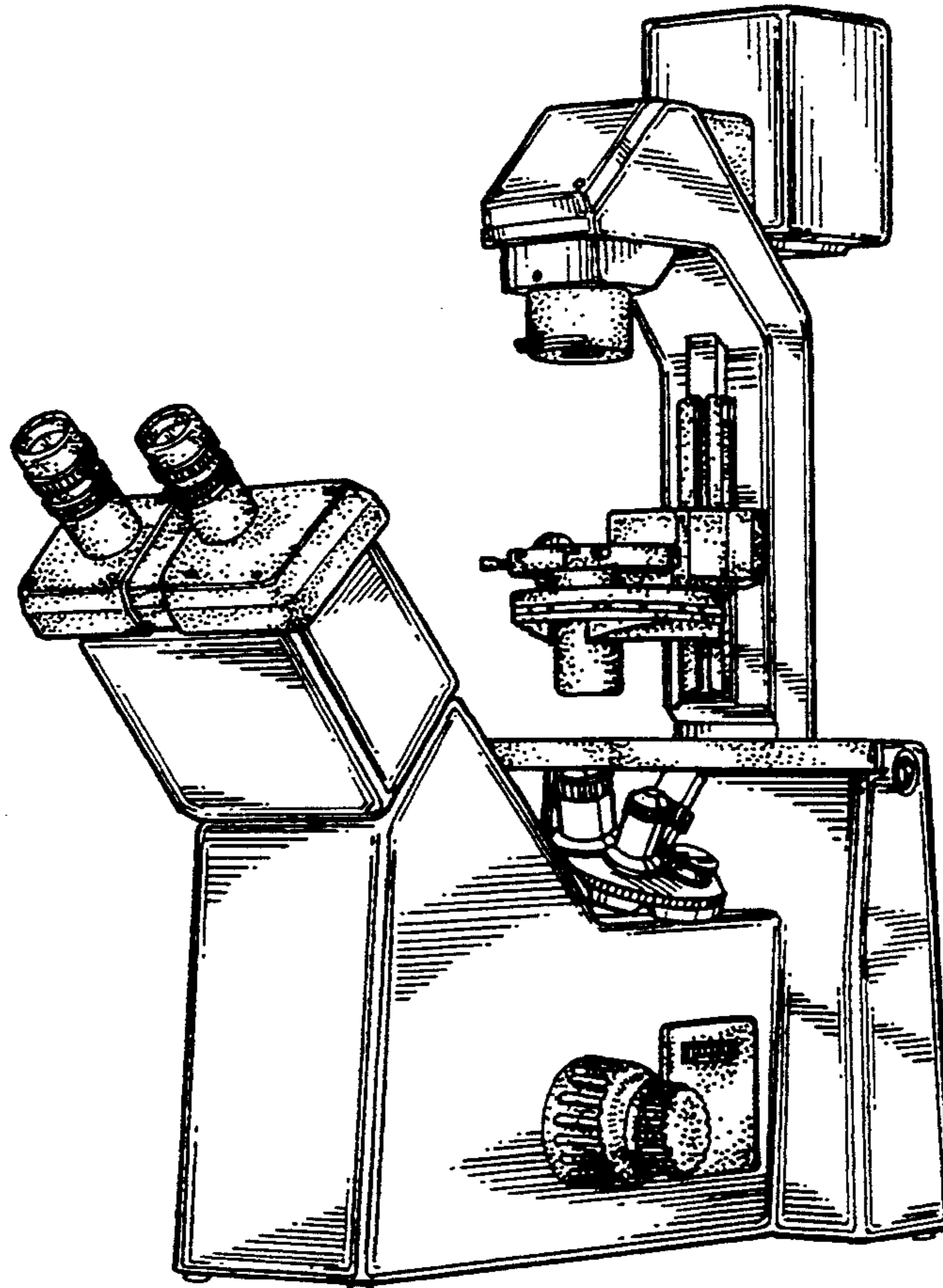
[56] **References Cited**

**U.S. PATENT DOCUMENTS**

D. 276,351 11/1984 Janke et al. .... D16/131

D. 296,904 7/1988 Lukaszewski ..... D16/131

D. 345,749 4/1994 Hofmann-Igl ..... D16/131



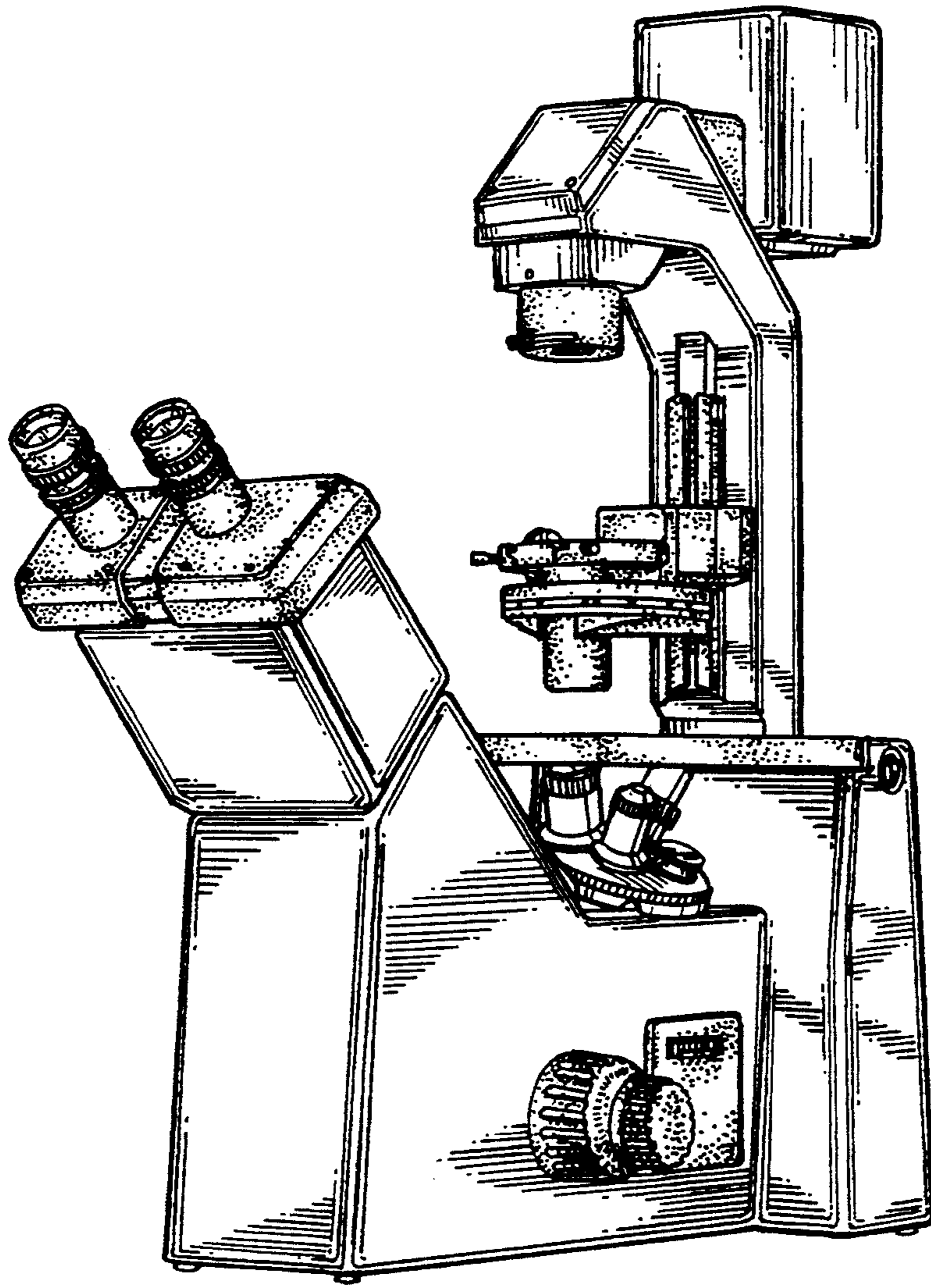


FIG. 1

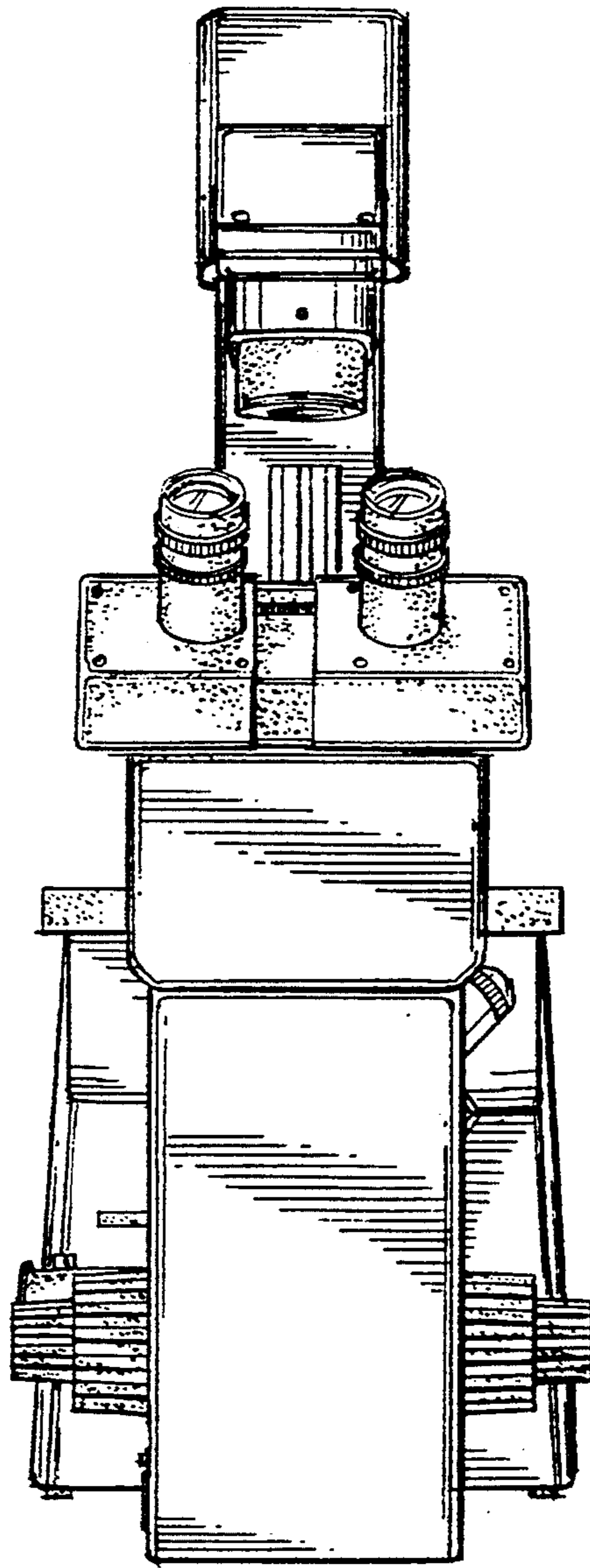


FIG. 2

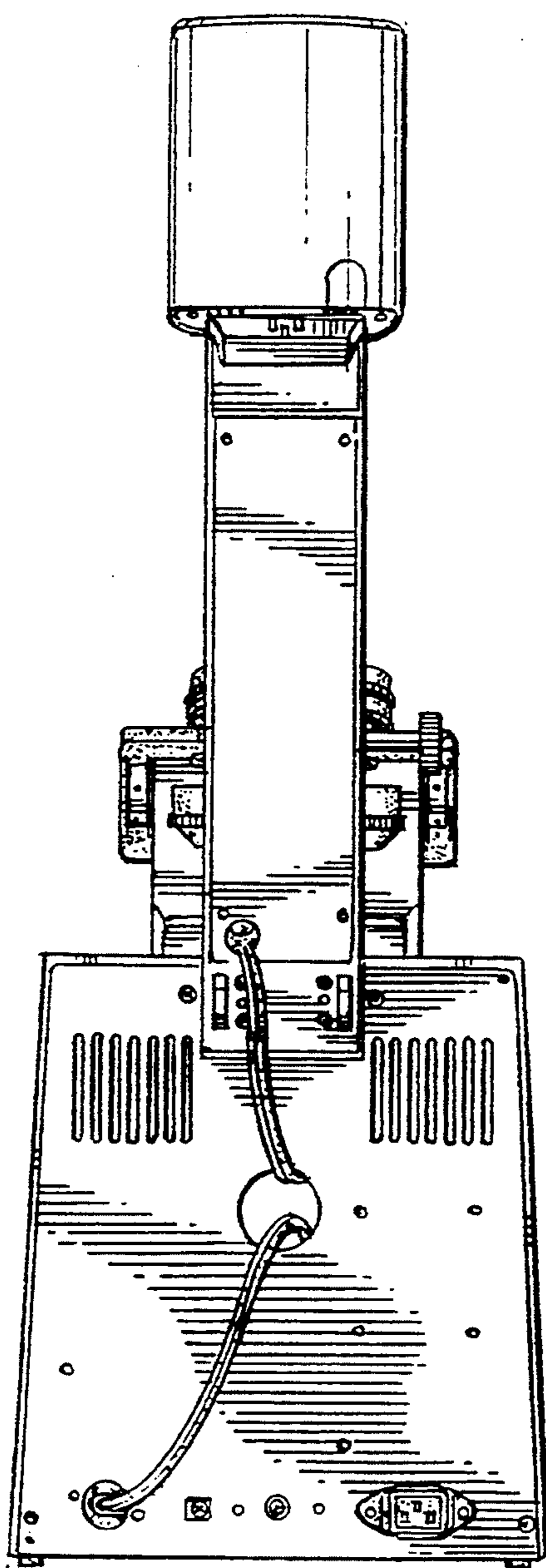


FIG. 3

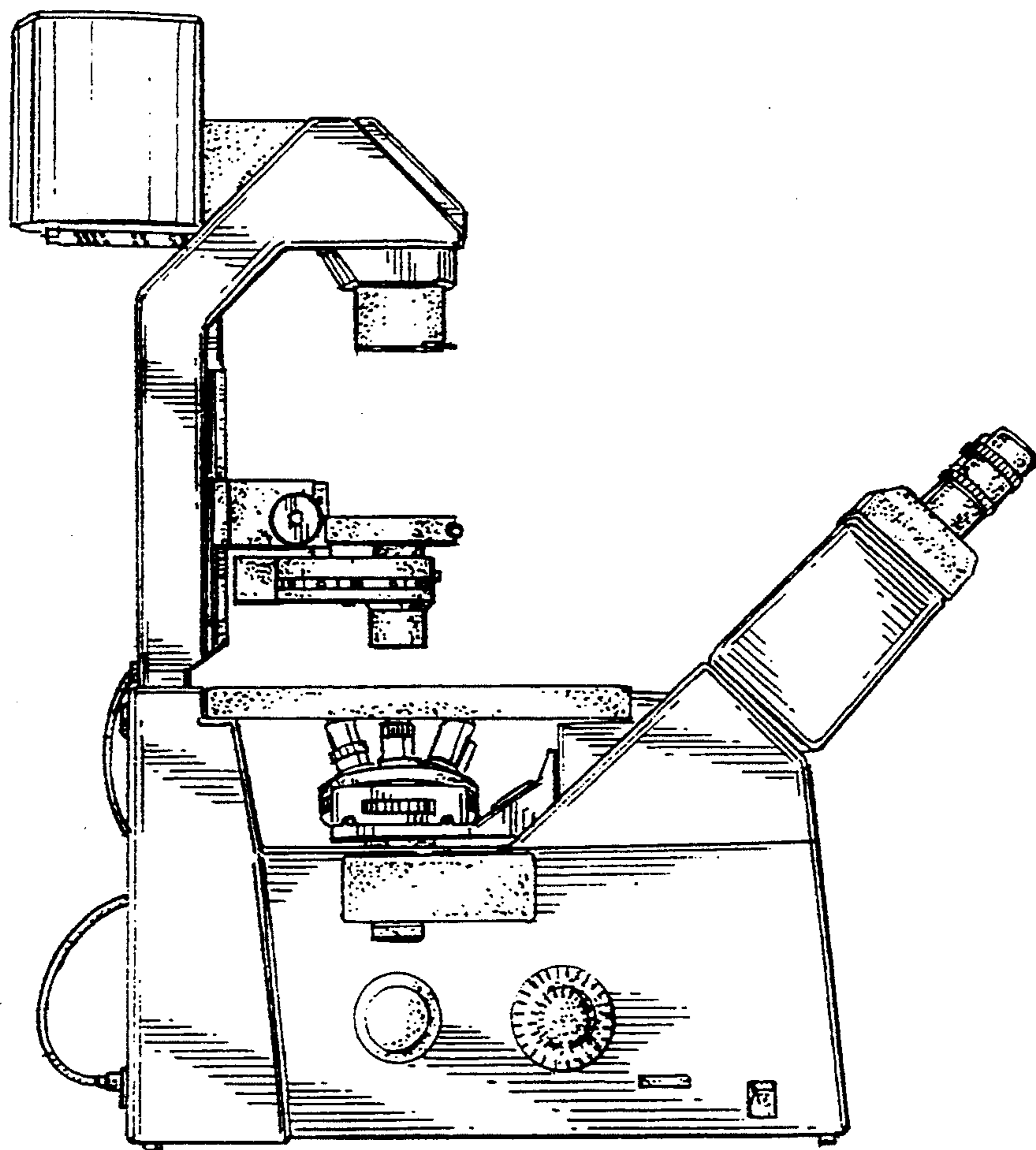


FIG. 4

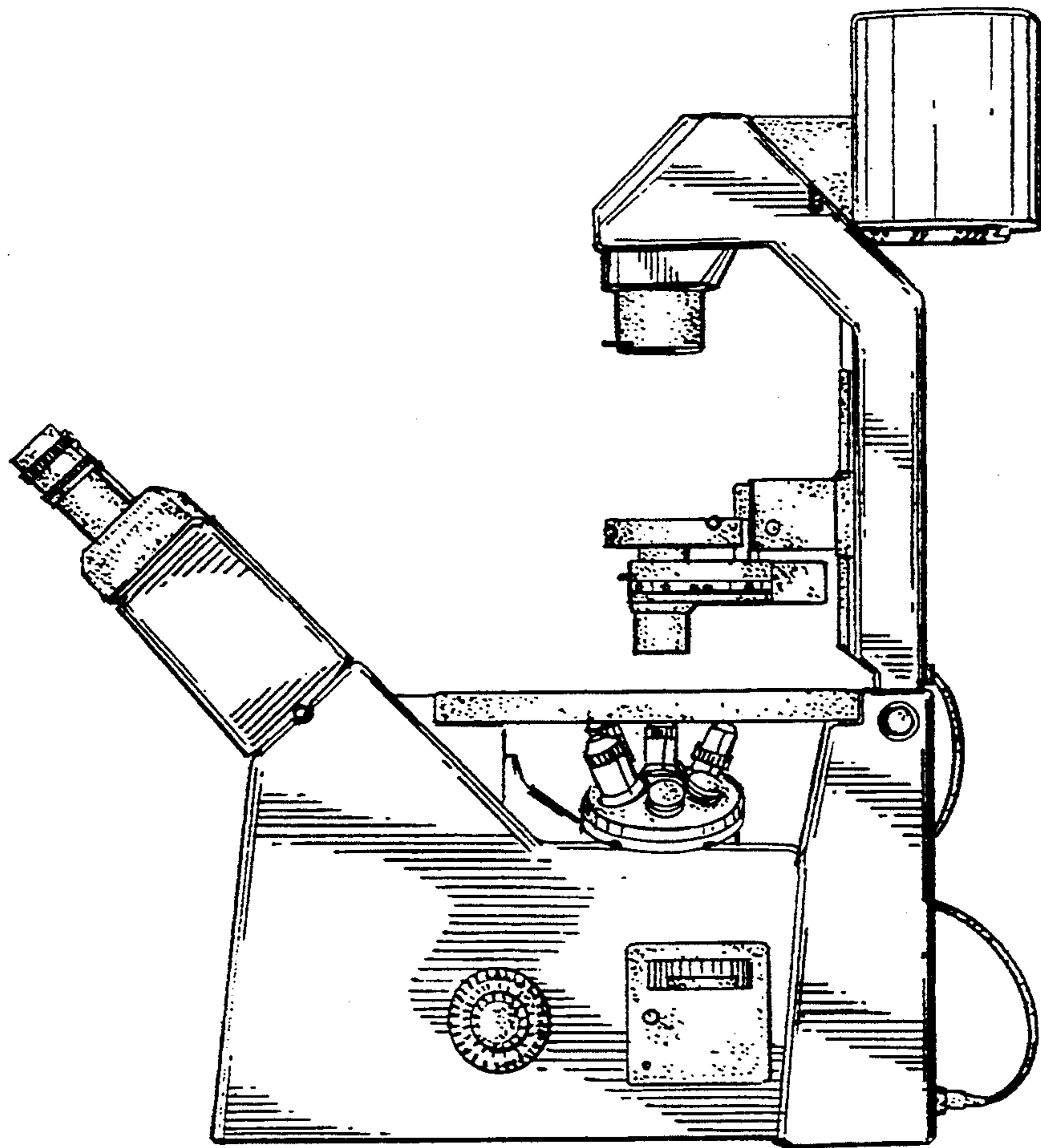


FIG. 5

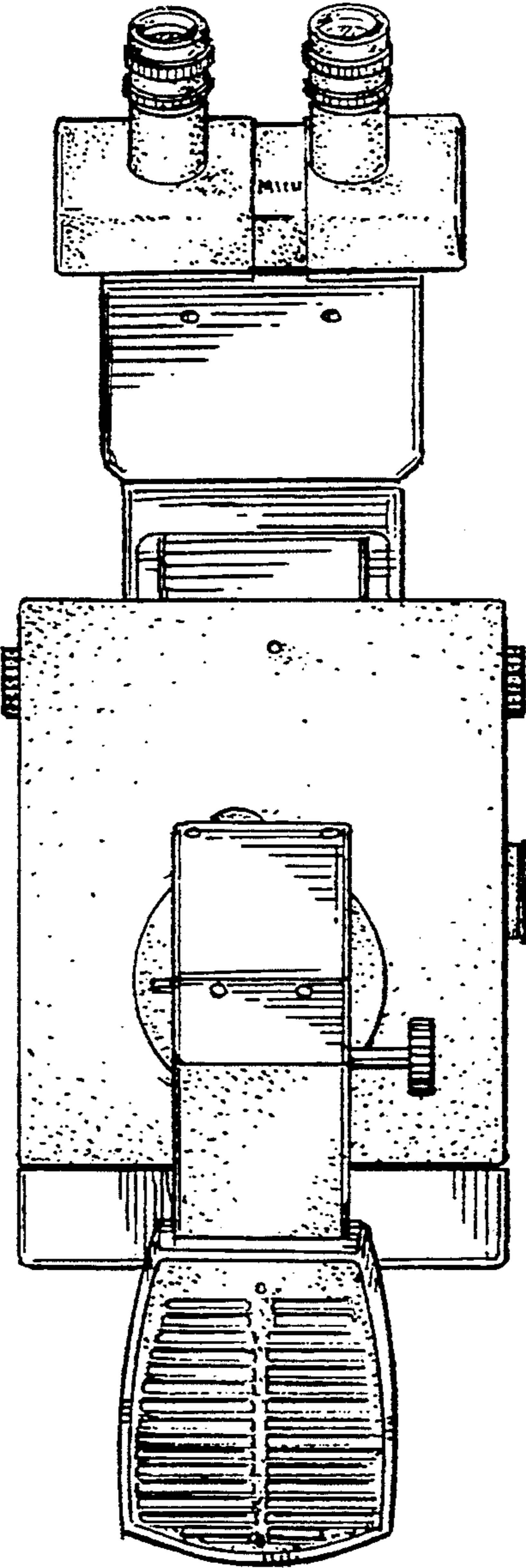


FIG. 6

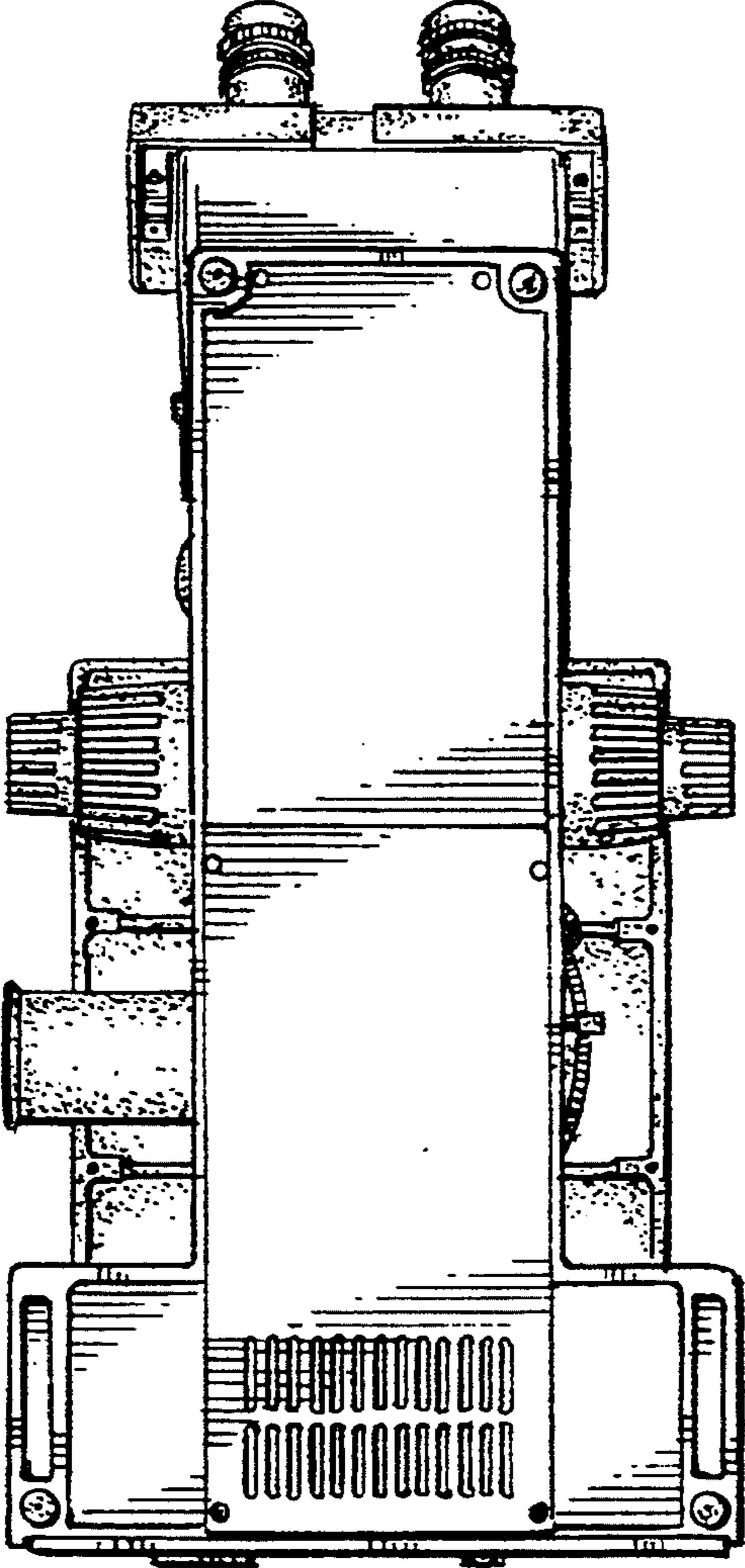


FIG. 7