



US00D356802S

United States Patent [19]

[11] Patent Number: **Des. 356,802**

Keife

[45] Date of Patent: **** Mar. 28, 1995**

[54] **SAW FOR MITER CUTTING**
 [75] Inventor: **Anders Keife, Nälden, Sweden**
 [73] Assignee: **Nobex Aktiebolag, Mattmar, Sweden**
 [**] Term: **14 Years**
 [21] Appl. No.: **12,540**
 [22] Filed: **Sep. 3, 1993**

4,429,601 2/1984 Taylor 83/767 X
 4,455,908 6/1984 Keddie 83/767
 5,259,284 11/1993 Chen 83/468.3
 5,259,286 11/1993 Chen 83/468.3 X

Primary Examiner—Alan P. Douglas
Assistant Examiner—Antoine D. Davis
Attorney, Agent, or Firm—Davis Hoxie Faithfull & Hapgood

[30] Foreign Application Priority Data

Mar. 4, 1993 [SE] Sweden 93-0532

[52] U.S. Cl. **D15/133**

[58] **Field of Search** D15/133; 30/376;
 33/474; 83/437, 435.1, 467.1, 468.1-468.5, 465,
 421, 581, 522, 474, 767, 477.2, 471.3; 144/216,
 217; 269/303, 304, 305, 315, 291

[57] CLAIM

The ornamental design for a saw for miter cutting device, as shown and described.

DESCRIPTION

FIG. 1 is a front perspective view of a saw for miter cutting device according to the invention;
 FIG. 2 is a rear perspective view of a saw for miter cutting device according to the invention;
 FIG. 3 is a rear perspective view of a saw for miter cutting device according to the invention wherein the saw is rotated approximately 90° from its position shown in FIG. 2; and,
 FIG. 4 is a bottom plan view of a saw for miter cutting device according to the invention.

[56] References Cited

U.S. PATENT DOCUMENTS

D. 234,902 4/1975 Marsh D15/133
 4,346,636 8/1982 Taylor 83/767
 4,428,266 1/1984 Keddie 83/767

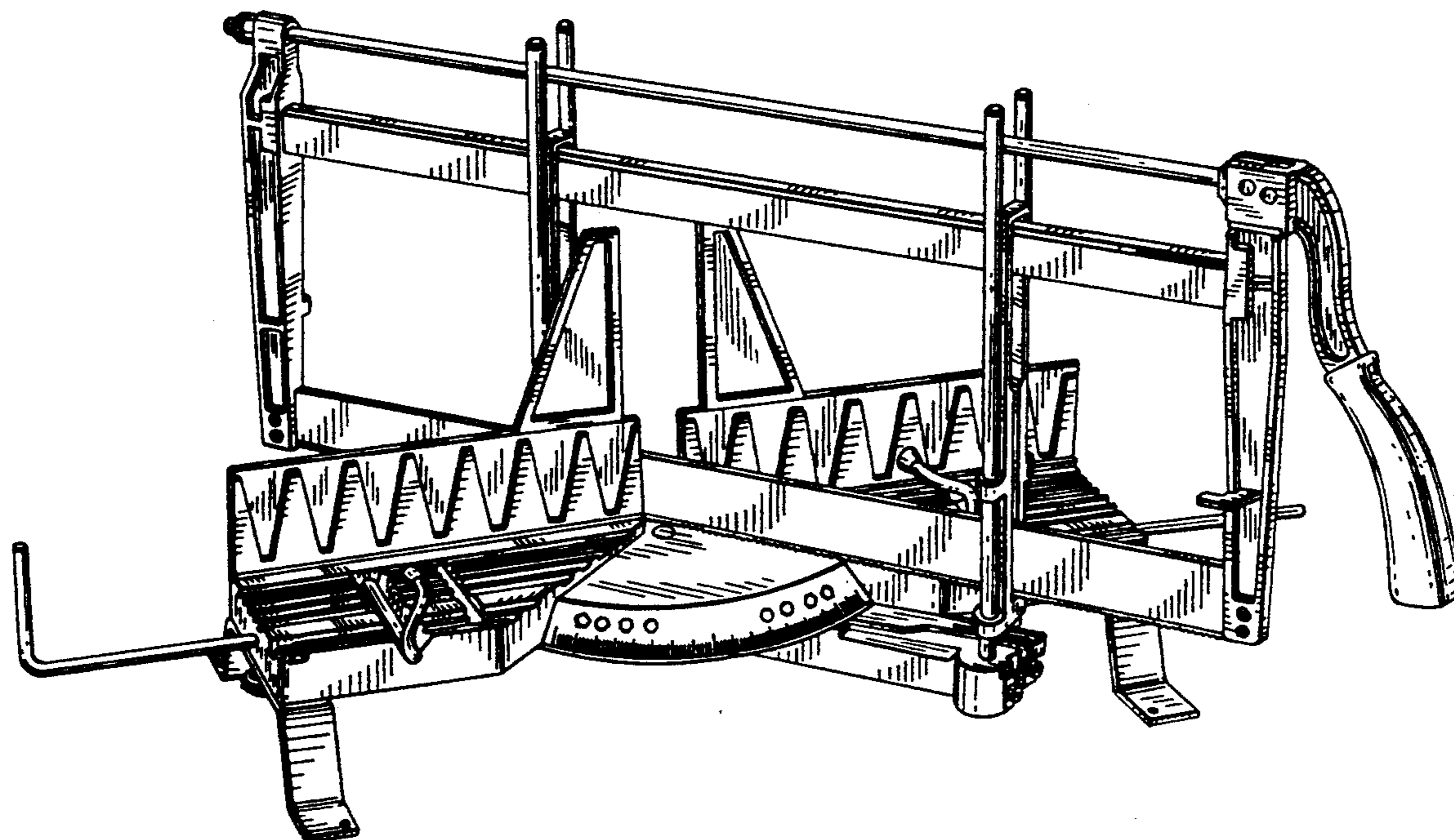
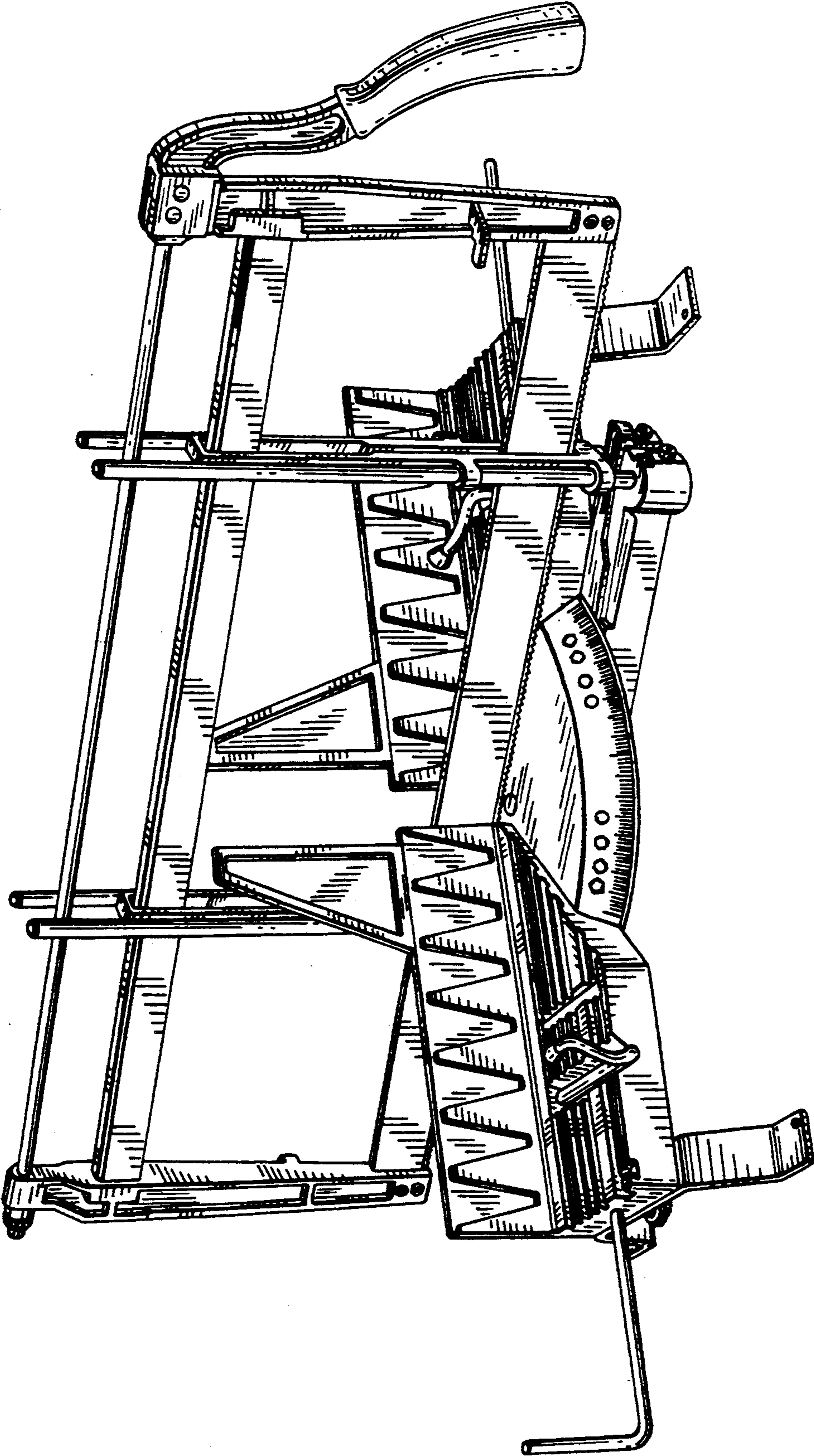


FIG. 1



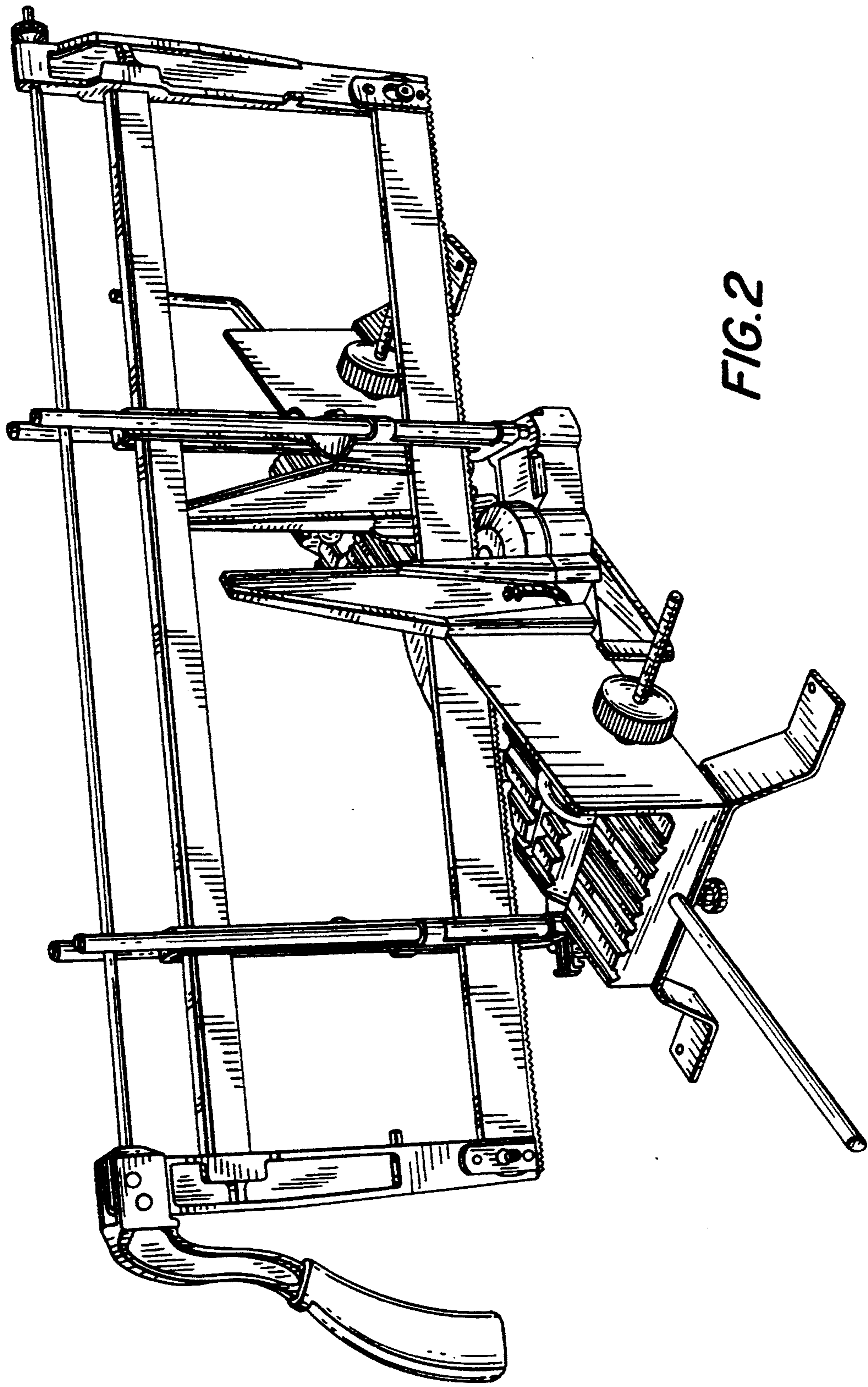


FIG. 2

FIG. 3

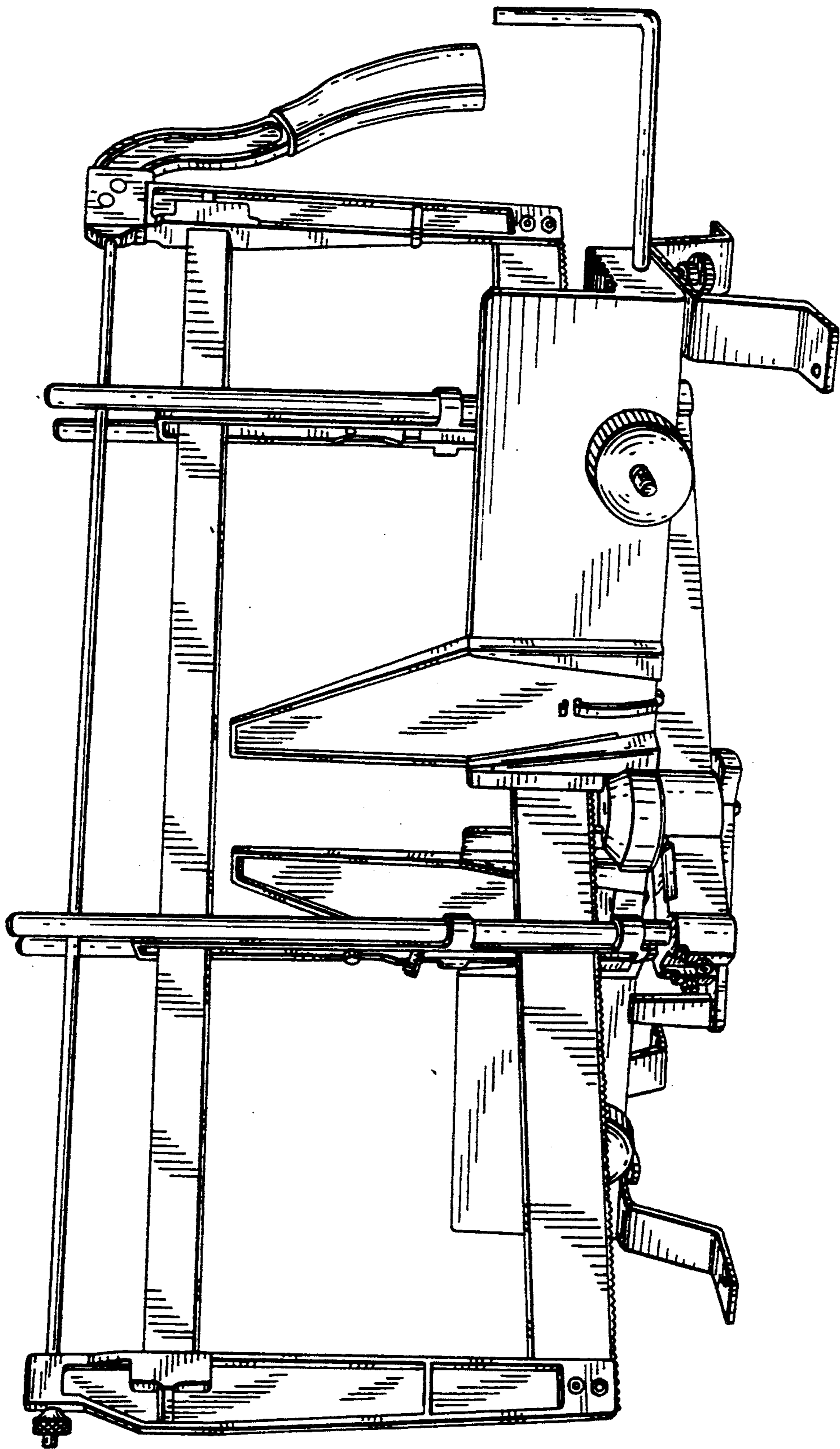


FIG. 4

