



US00D356801S

United States Patent [19]

[11] Patent Number: **Des. 356,801**

Bold et al.

[45] Date of Patent: **** Mar. 28, 1995**

[54] **CHIPPER/SHREDDER**

[76] Inventors: **Alfred J. Bold; Kevin J. Connolly; Steven E. Kodesch**, all of 102nd St. and Ninth Ave., Troy, N.Y. 12180

3,905,181	9/1975	Messner	56/13.1
3,940,827	3/1976	Greco	56/13.1
4,860,961	8/1989	Hilgarth	D15/10
4,875,630	10/1989	Carlson	241/56
5,018,672	5/1991	Peck et al.	D15/10
5,060,460	10/1991	Dunn	56/13.3

[*] Notice: The portion of the term of this patent subsequent to Mar. 14, 2009 has been disclaimed.

Primary Examiner—D. J. Bullock
Assistant Examiner—Sandra Morris

[**] Term: **14 Years**

[57] CLAIM

[21] Appl. No.: **757,485**

The ornamental design for a chipper/shredder, as shown and described.

[22] Filed: **Sep. 10, 1991**

DESCRIPTION

[52] U.S. Cl. **D15/10**

[58] Field of Search **D15/10-17;**
56/13.3, 13.4, 15.8, 16.7, 17.1, 202, 255, 320.2;
241/34, 56, 73, 101.7, 186 R

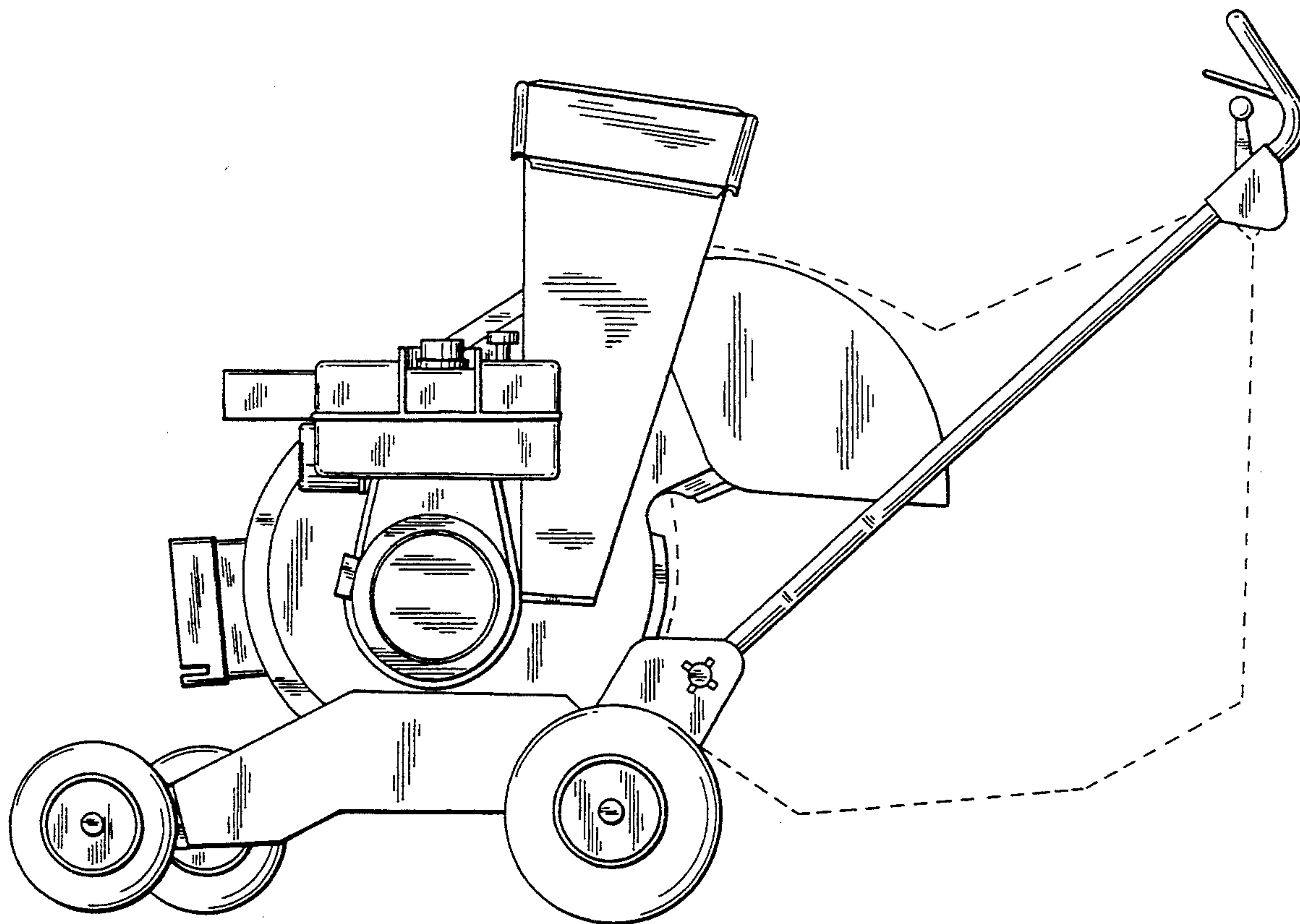
FIG. 1 is a left side elevational view of a chipper/shredder showing our new design, the broken line showing of the bag attachment is for illustrative purposes only and forms no part of the claimed design;

[56] References Cited

U.S. PATENT DOCUMENTS

D. 249,690	9/1978	Thomas	D15/14
D. 332,270	1/1993	Hefty	D15/14

FIG. 2 is a right side elevational view thereof;
FIG. 3 is a front elevational view thereof;
FIG. 4 is a rear elevational view thereof;
FIG. 5 is a top plan view thereof; and,
FIG. 6 is a bottom plan view thereof.



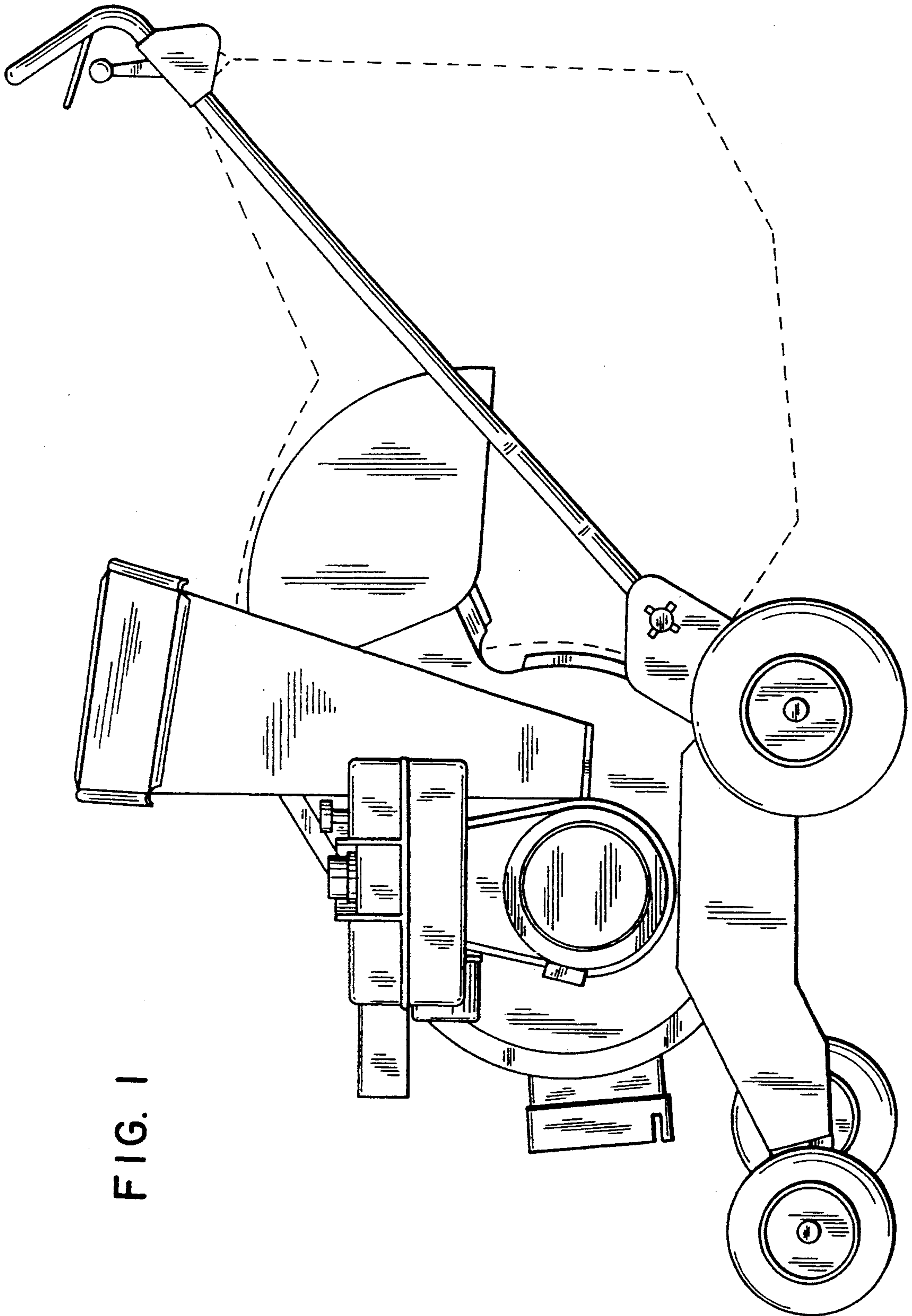


FIG. 1

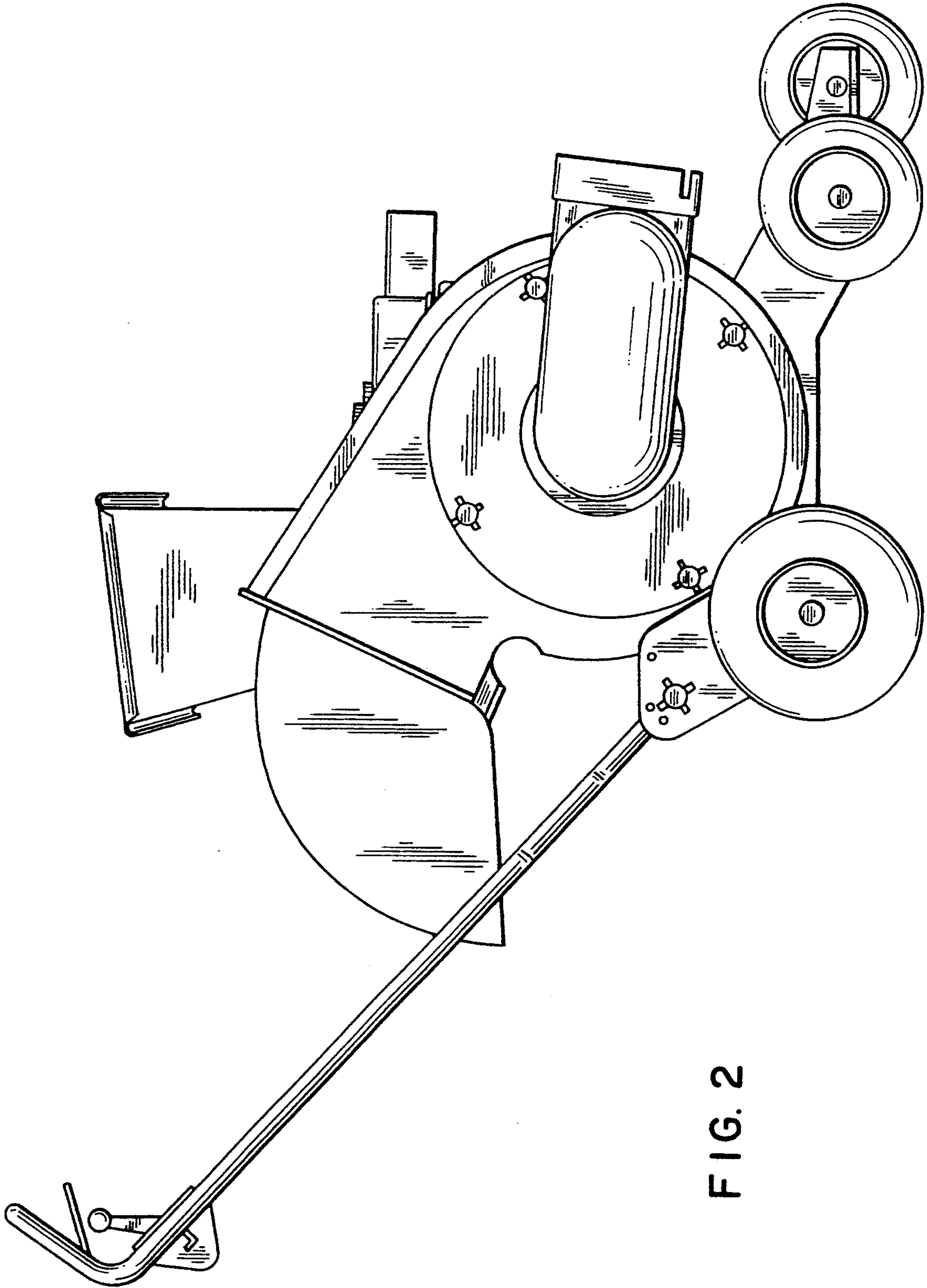


FIG. 2

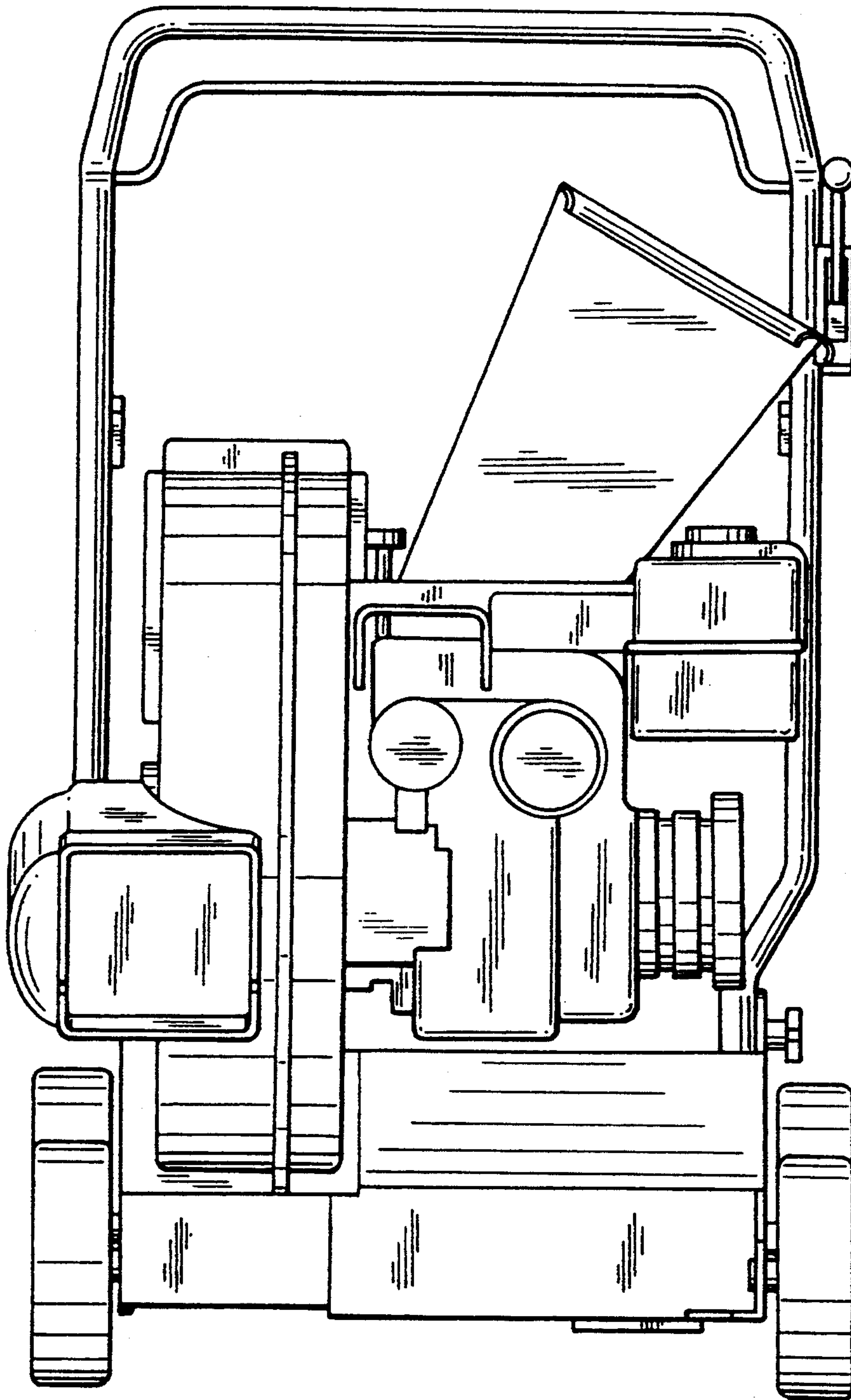


FIG. 3

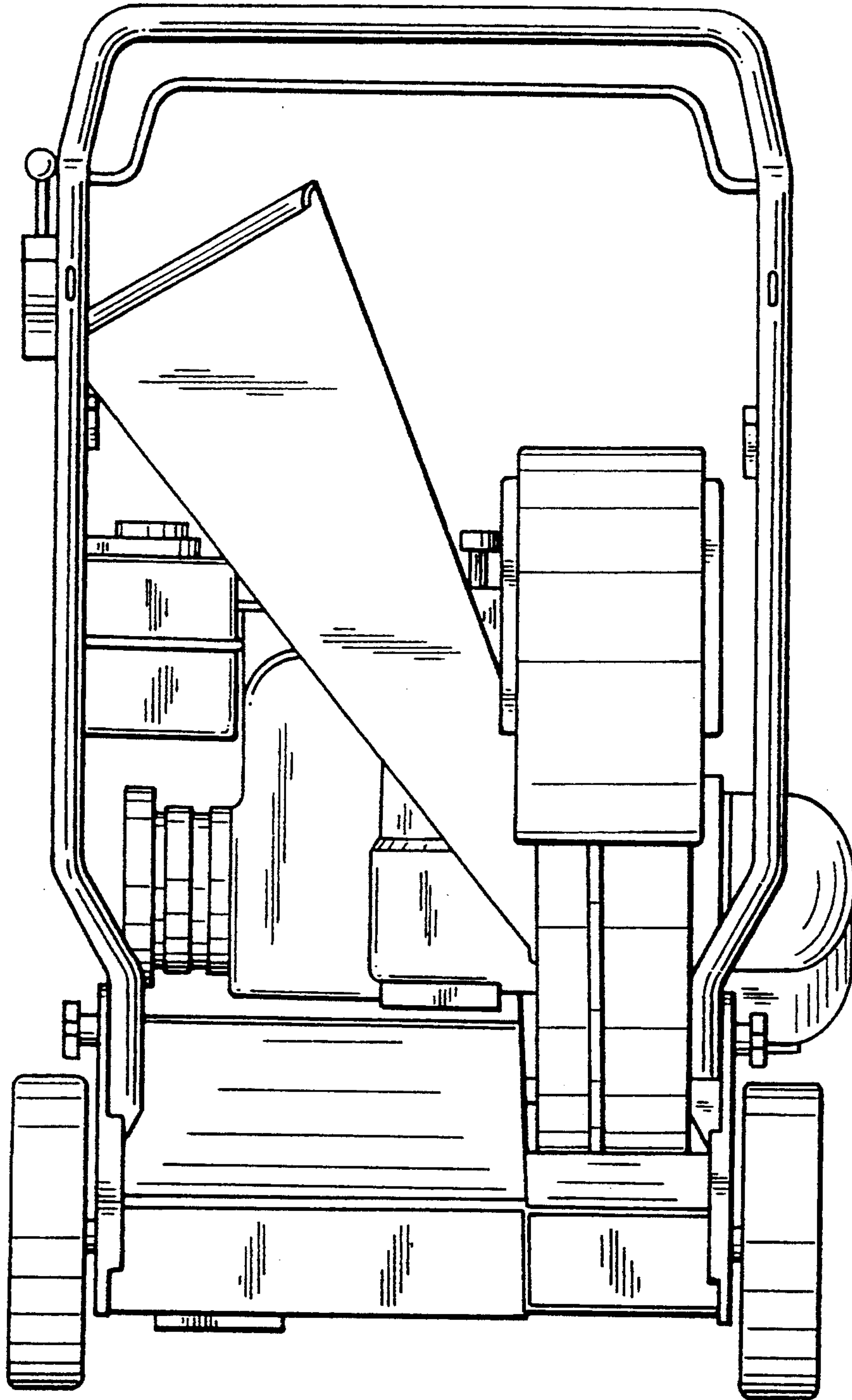


FIG. 4

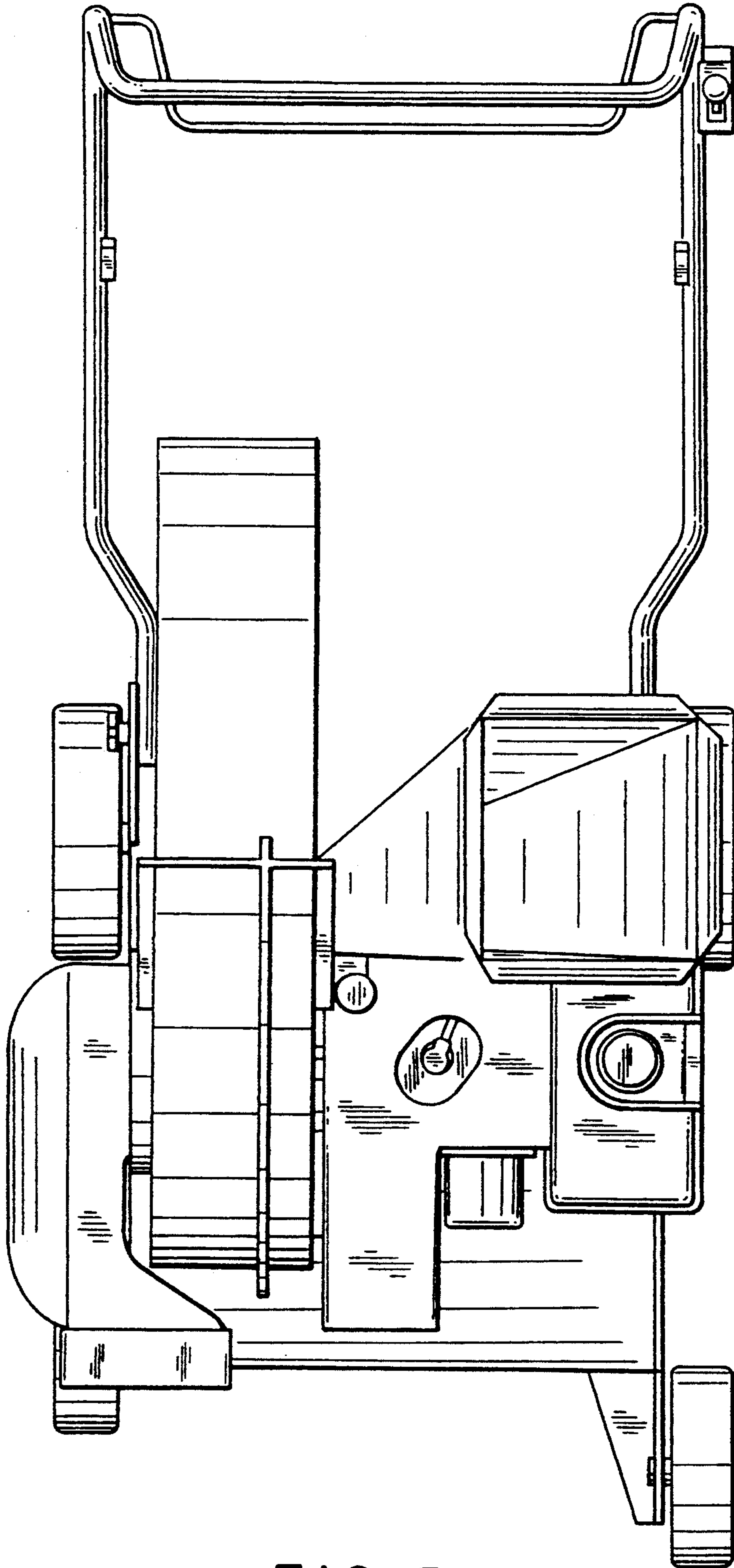


FIG. 5

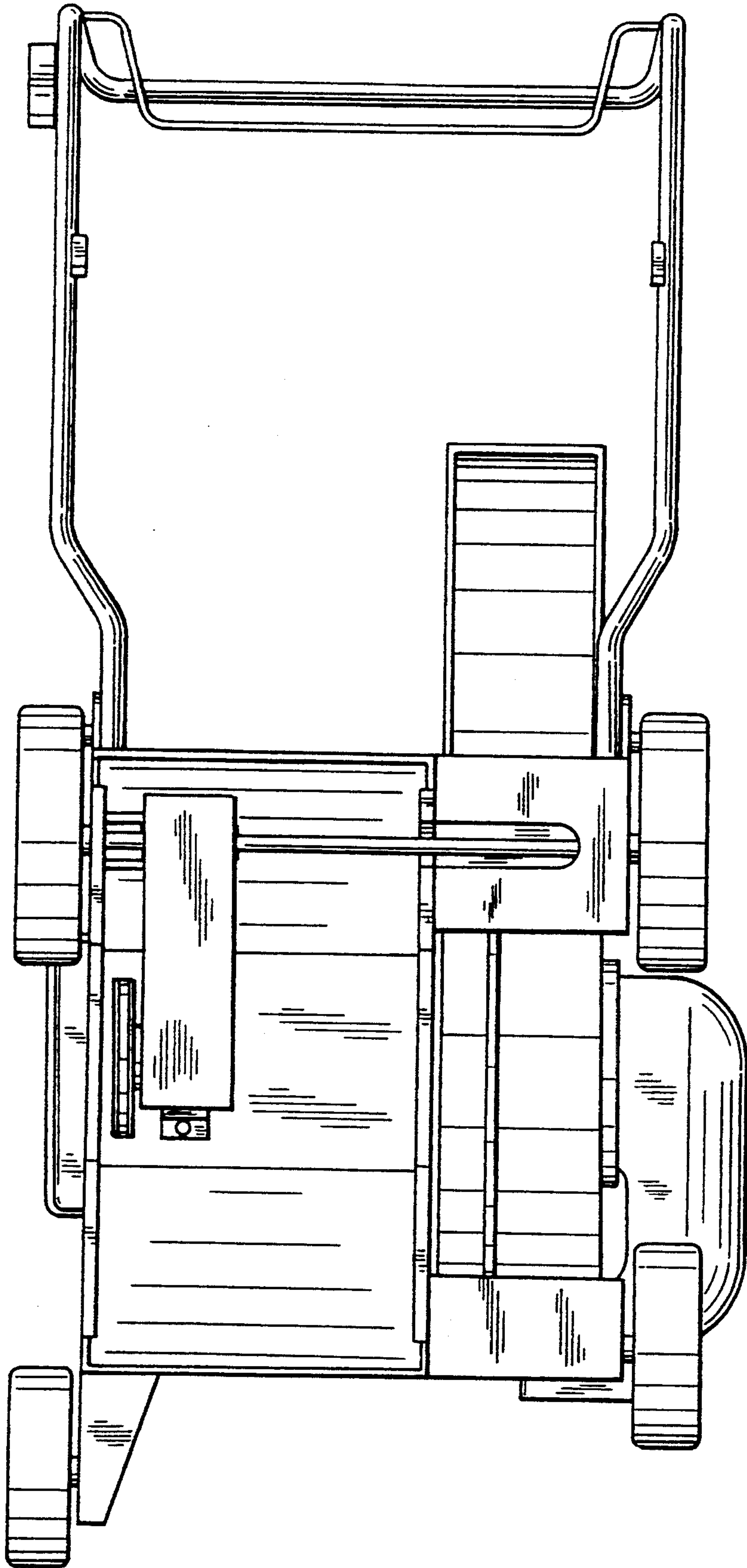


FIG. 6

UNITED STATES PATENT AND TRADEMARK OFFICE
CERTIFICATE OF CORRECTION

PATENT NO. : Des. 356,801
DATED : March 28, 1995
INVENTOR(S) : Bold et al.

It is certified that error appears in the above-identified patent and that said Letters Patent is hereby corrected as shown below:

On the title page, after item [75] insert the following:
--[73] Assignee: Garden Way Incorporated, Troy, NY--.

Signed and Sealed this
First Day of August, 1995



BRUCE LEHMAN

Commissioner of Patents and Trademarks

Attest:

Attesting Officer