



US00D356800S

United States Patent [19]

[11] Patent Number: **Des. 356,800**

Chen

[45] Date of Patent: **** Mar. 28, 1995**

[54] **ELECTRIC AIR COMPRESSOR**

[76] Inventor: **Kenneth Chen**, Suite 1, 11F, 96-8
Chang Ping Road Sec. 1., Taichung,
Republic of China

[**] Term: **14 Years**

[21] Appl. No.: **20,487**

[22] Filed: **Mar. 28, 1994**

[52] U.S. Cl. **D15/9; D15/7**

[58] Field of Search **D15/7-9.2;**
D24/8; D26/38; 417/415, 235

[56] **References Cited**

U.S. PATENT DOCUMENTS

D. 286,782	11/1986	Somers	D15/7
D. 289,297	4/1987	Liu	D15/7
D. 295,181	4/1988	Vitaloni	D15/9
D. 295,181	5/1988	Wang	D15/9

D. 296,104	6/1988	Hung	D15/9
D. 301,247	5/1989	Prevosto	D15/9
D. 327,891	7/1992	Morgan	D15/9
D. 328,305	7/1992	Wong	D15/9
D. 340,458	10/1993	Wang	D15/9

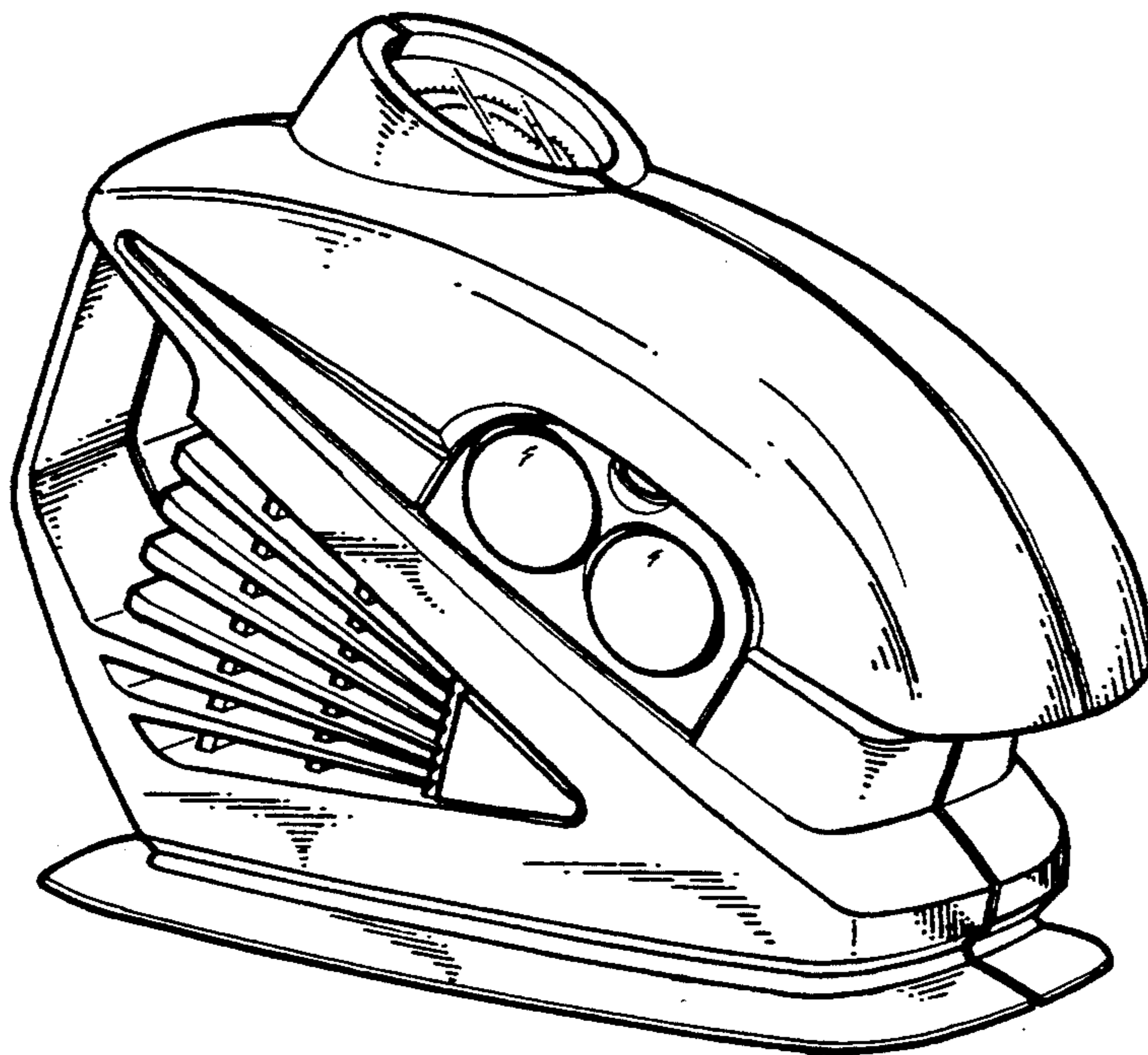
Primary Examiner—Ralf T. Seifert

[57] **CLAIM**

The ornamental design for electric air compressor, as shown.

DESCRIPTION

FIG. 1 is a perspective view to show the preferred embodiment of the present invention; FIG. 2 is a front view of FIG. 1; FIG. 3 is a right side view of FIG. 1; FIG. 4 is a left side view of FIG. 1; FIG. 5 is a top view of FIG. 1; FIG. 6 is an under side view of FIG. 1; and, FIG. 7 is a rear side view of FIG. 1.



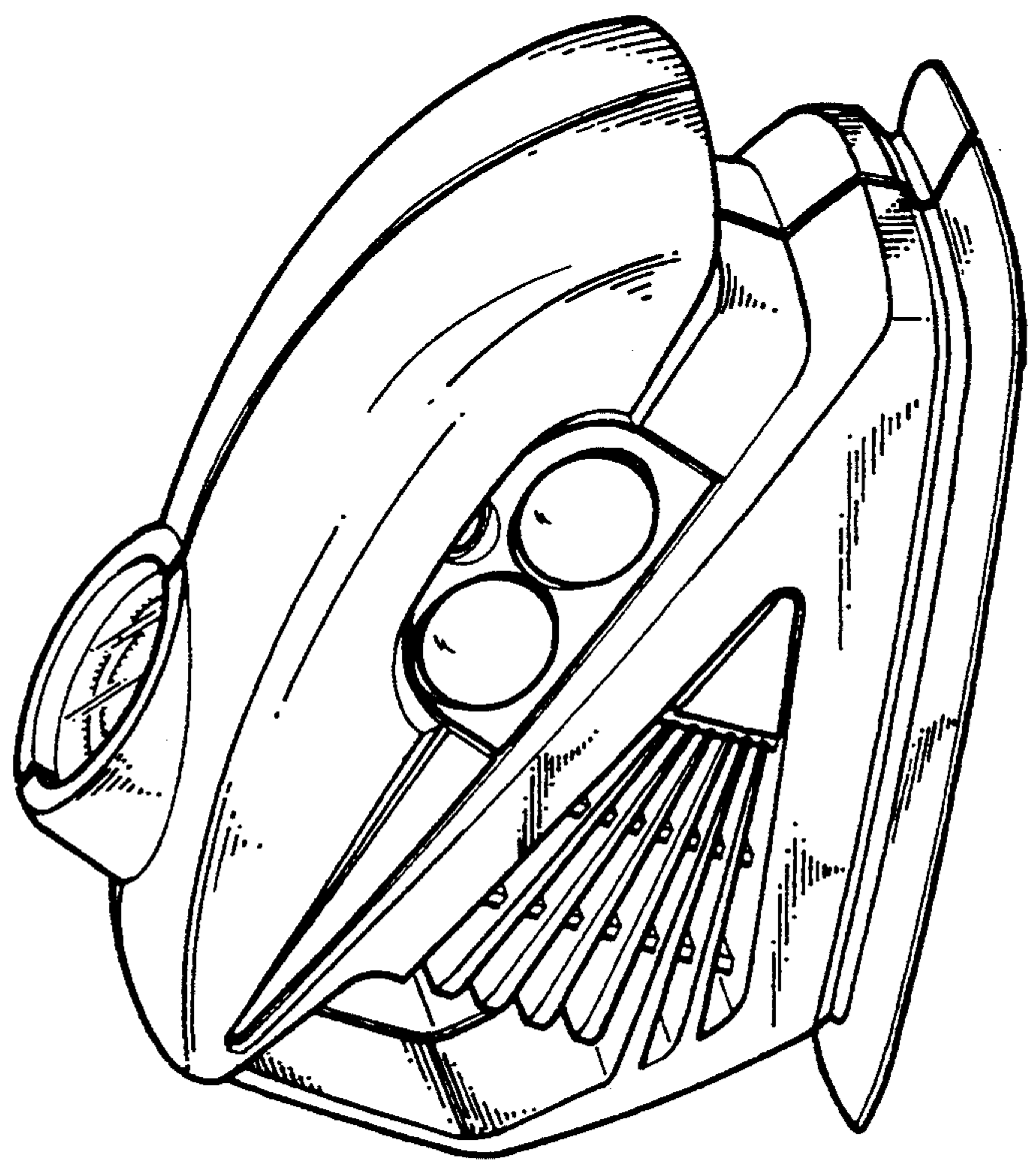


FIG. 1

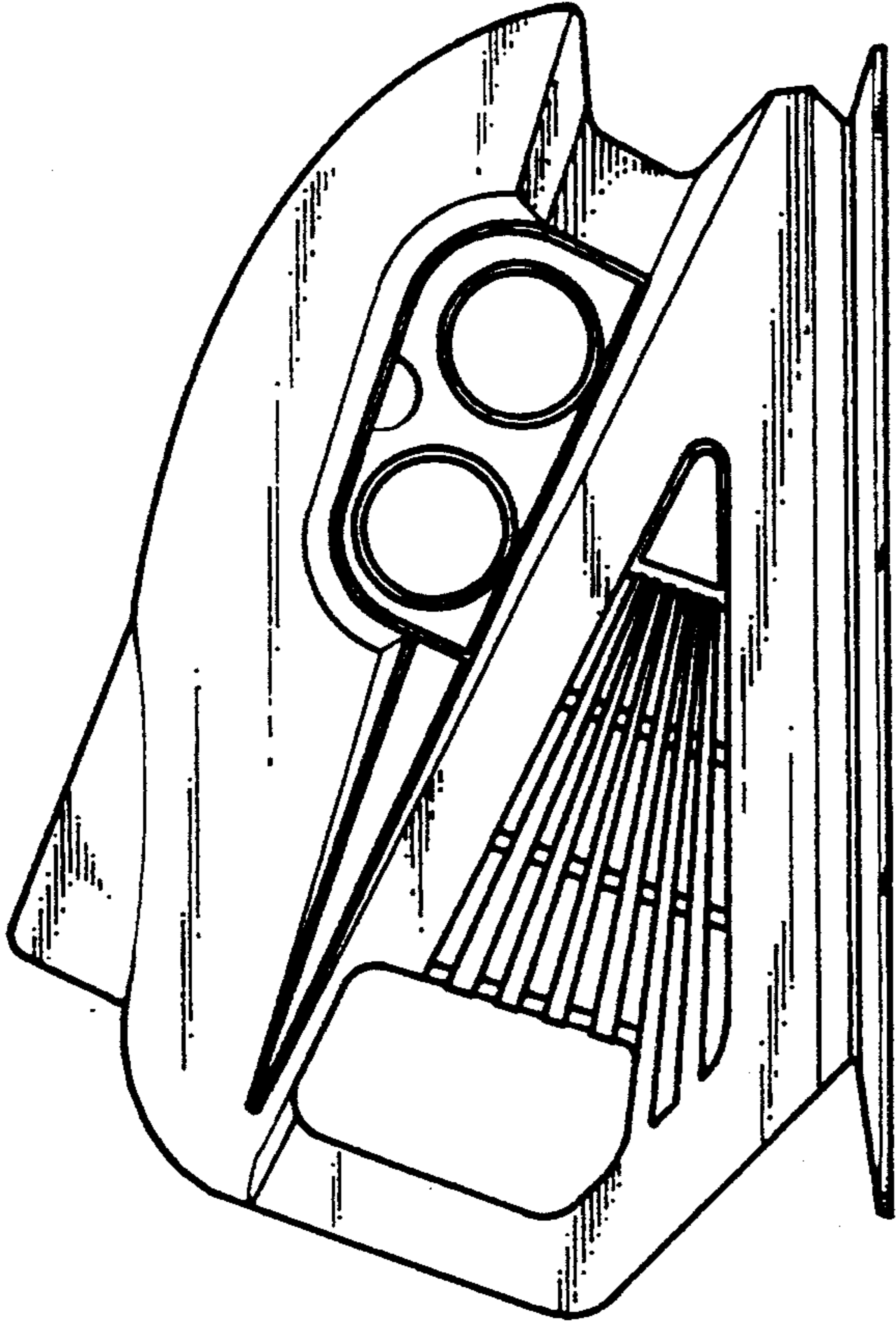
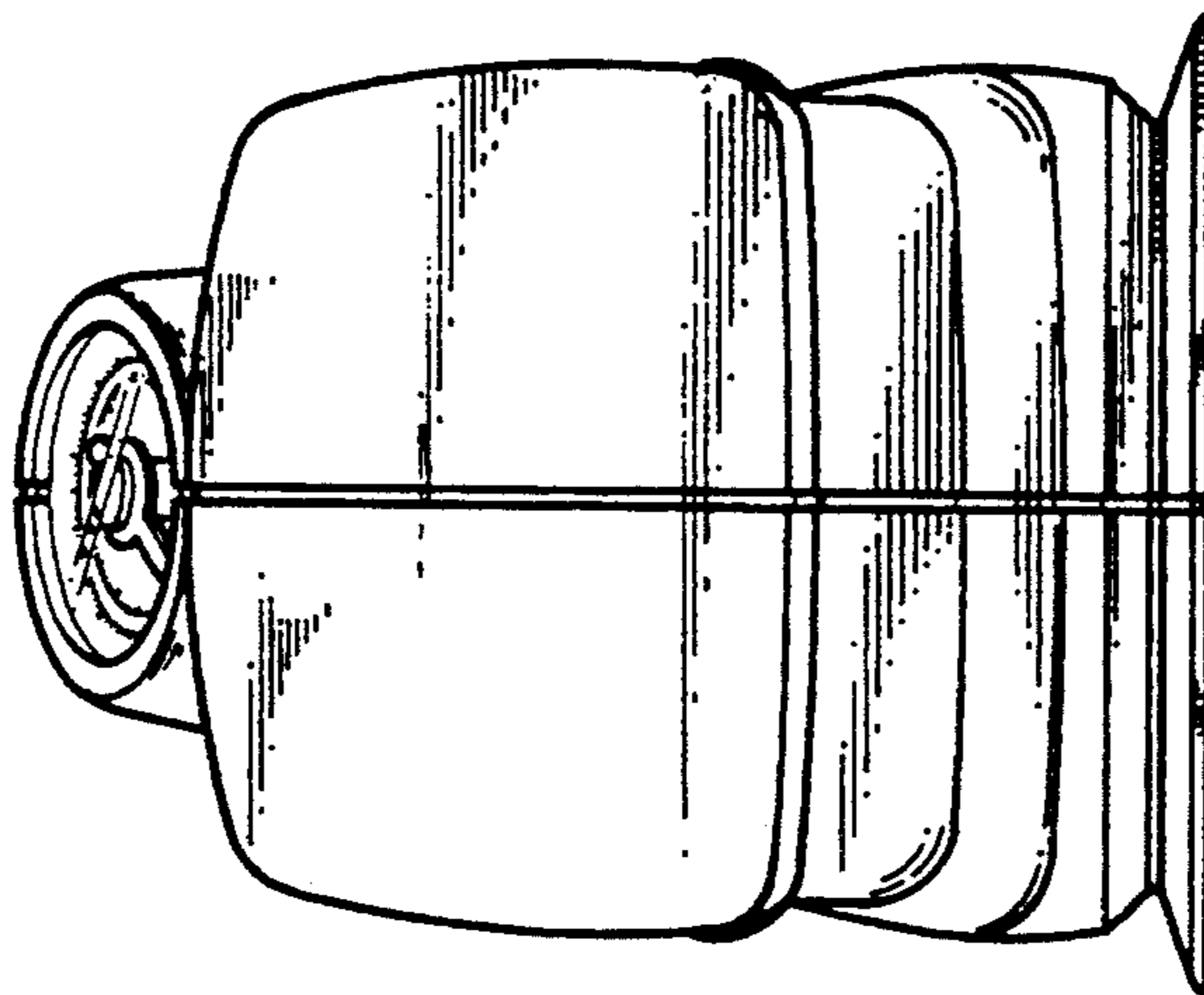


FIG. 2



F I G. 3

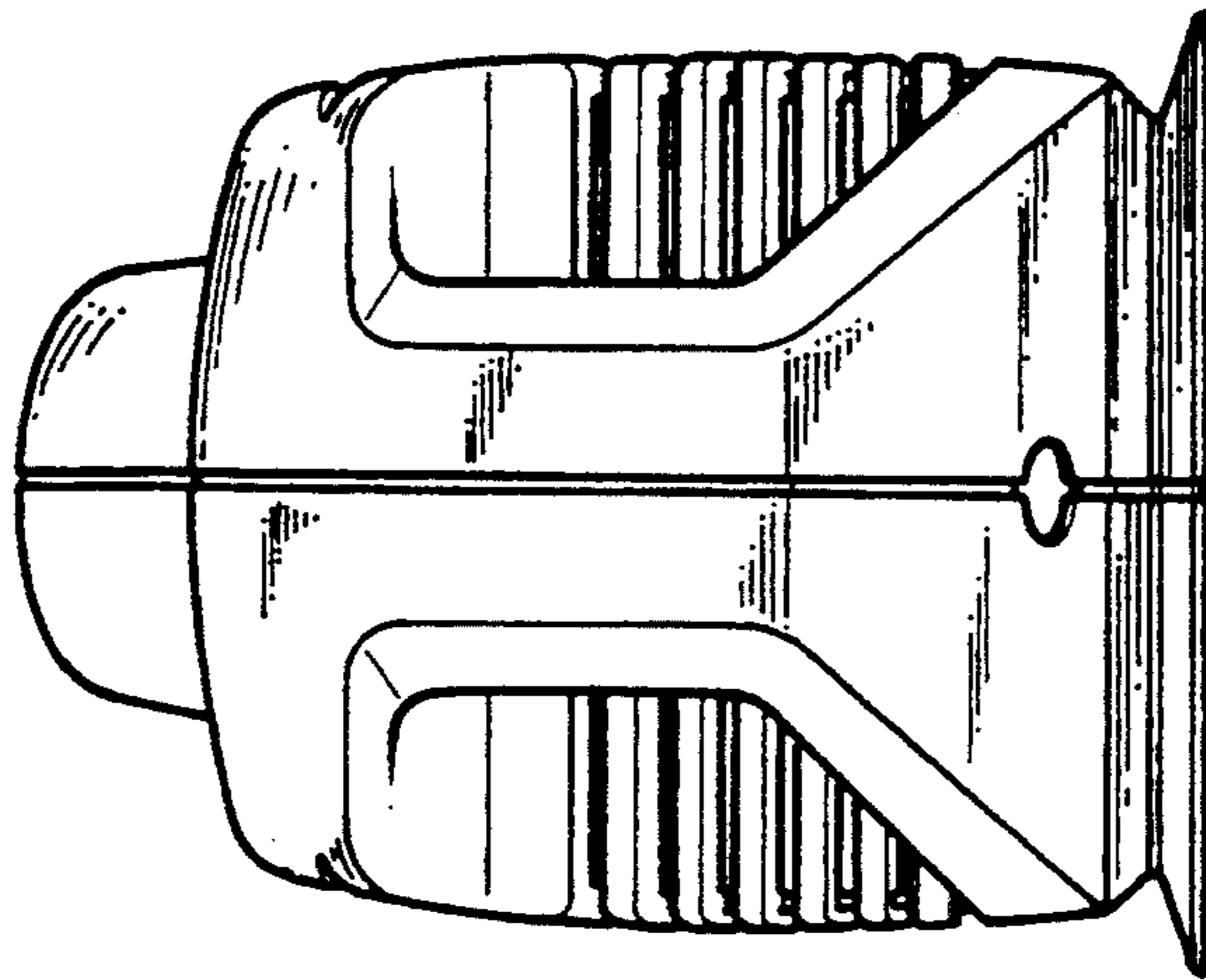
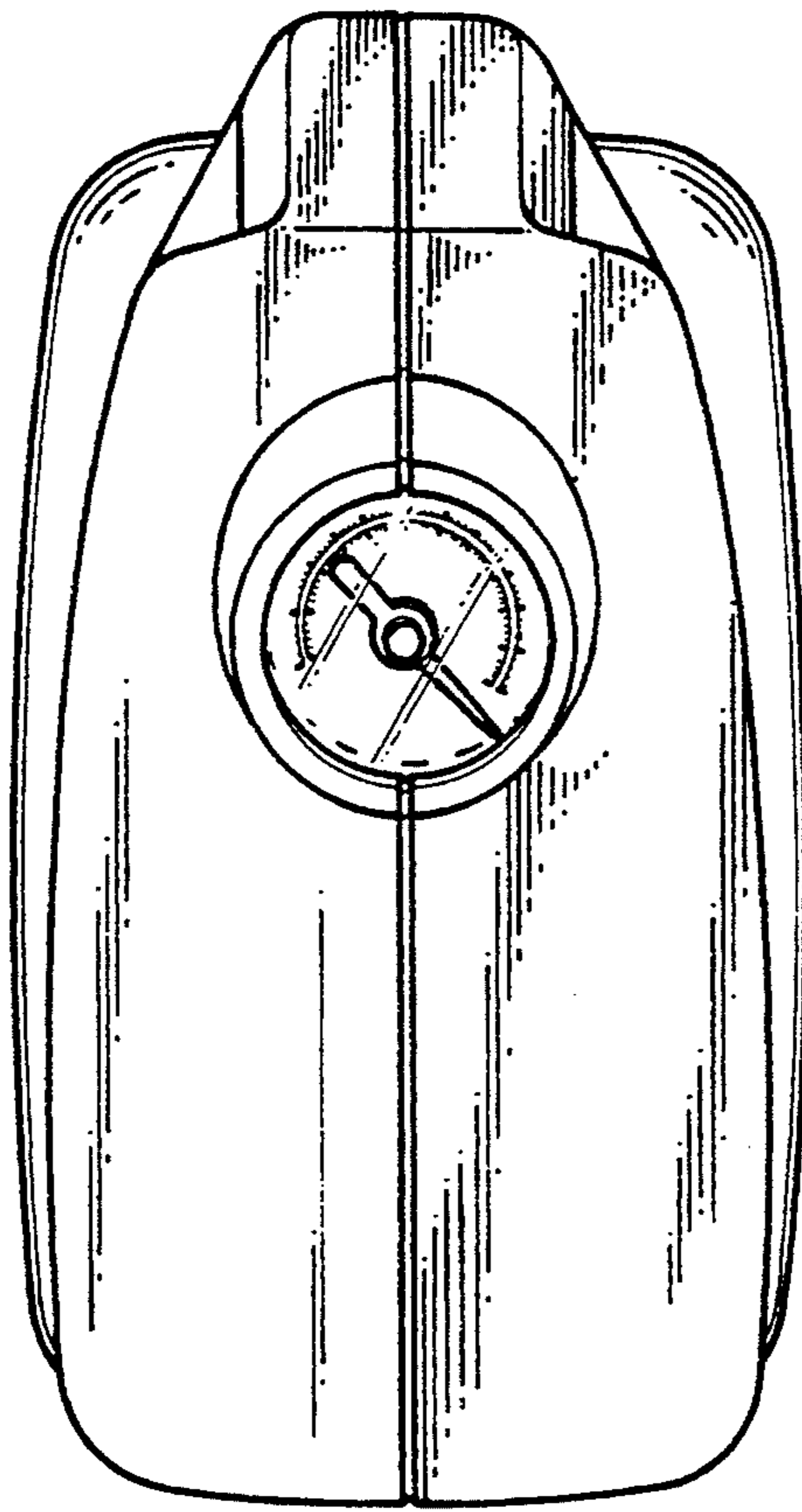


FIG. 4



F I G. 5

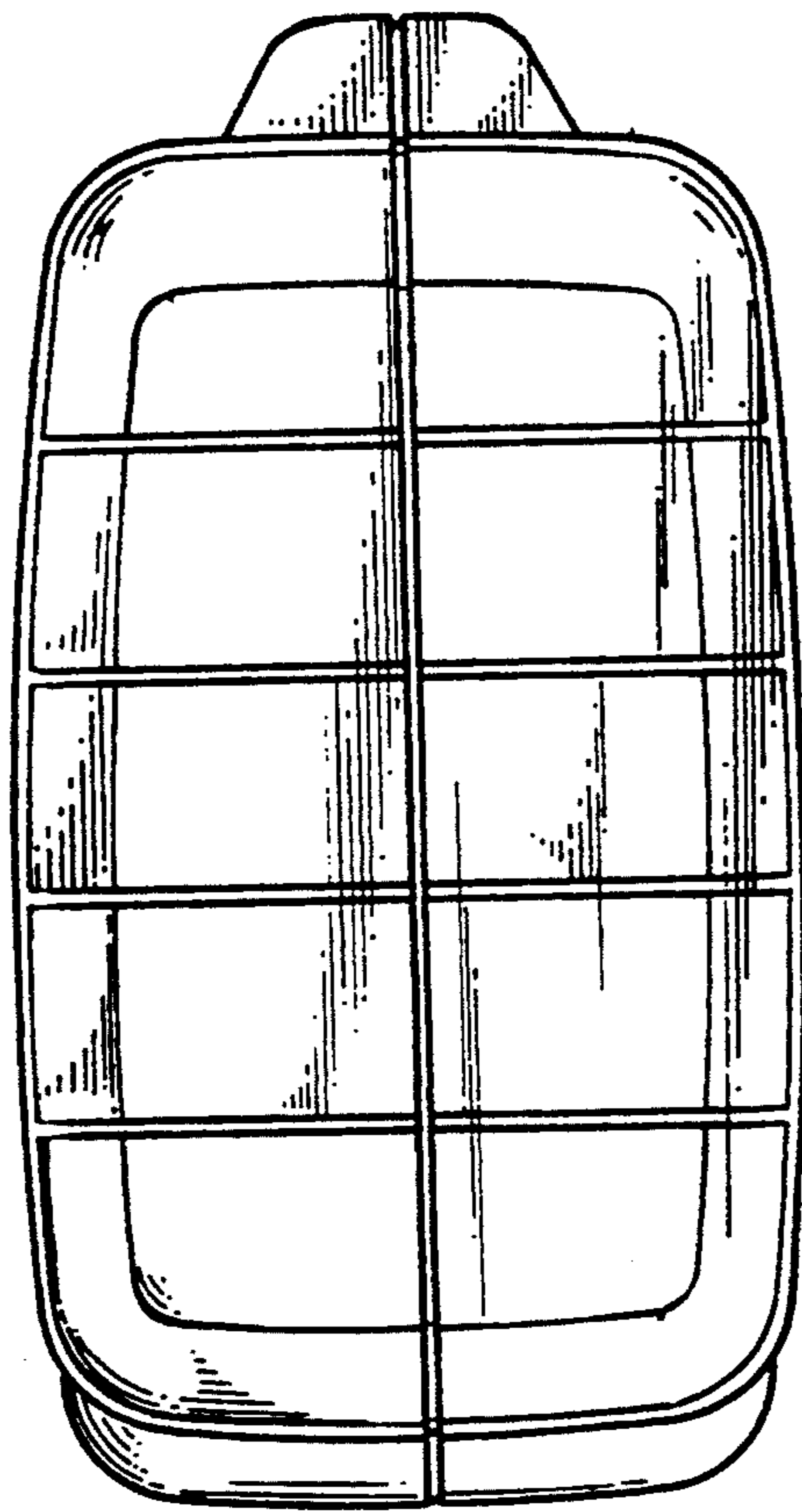


FIG. 6

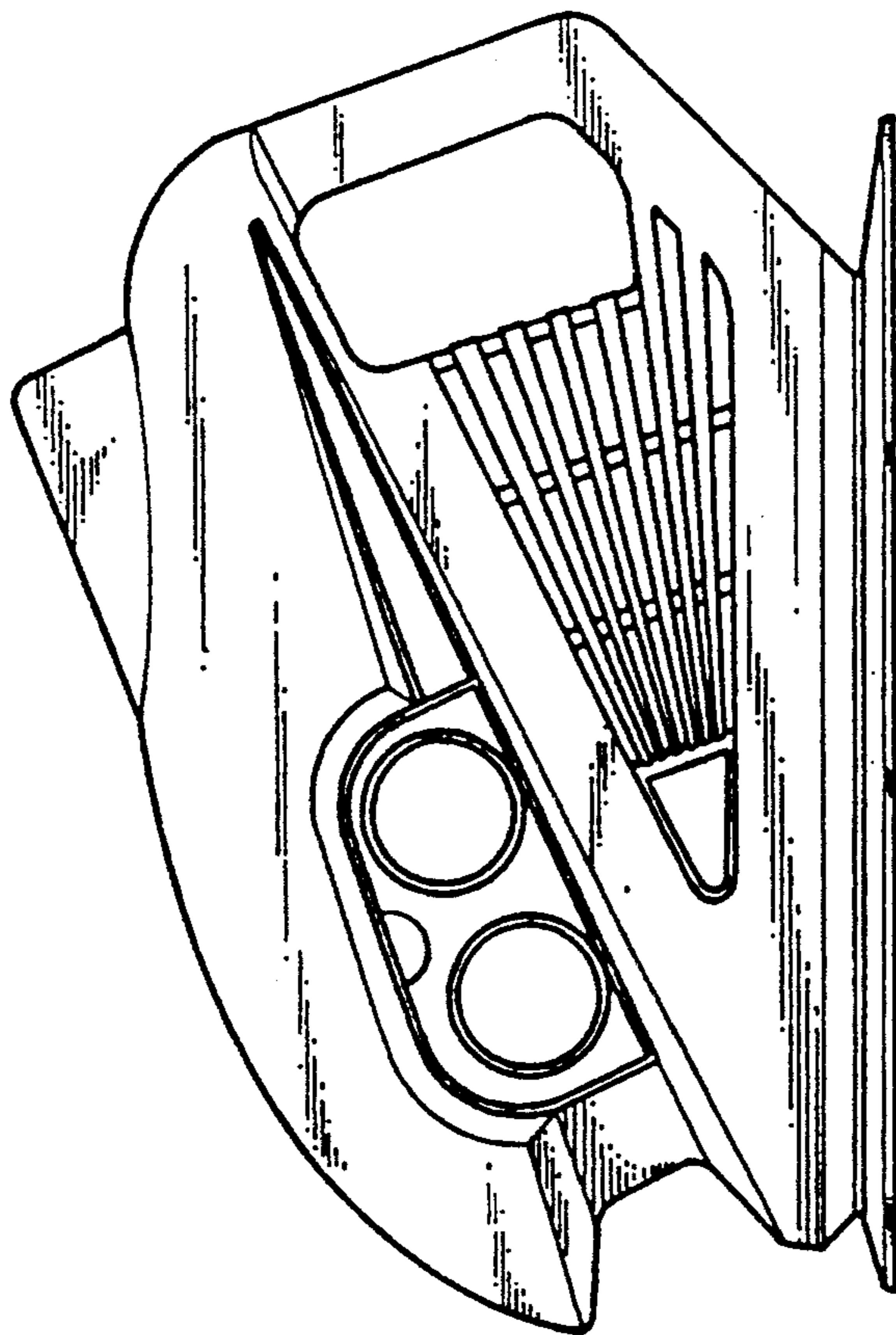


FIG. 7