



US00D356798S

# United States Patent [19]

[11] Patent Number: **Des. 356,798**

**Rudkiewicz et al.**

[45] Date of Patent: **\*\* Mar. 28, 1995**

[54] **HOLDER FOR A PORTABLE TELEPHONE**

[75] Inventors: **Tomek Rudkiewicz; Robert Hellier,**  
both of Turku, Finland

[73] Assignee: **Nokia Mobile Phones Ltd.,** Salo,  
Finland

[\*\*] Term: **14 Years**

[21] Appl. No.: **20,566**

[22] Filed: **Mar. 29, 1994**

[30] **Foreign Application Priority Data**

Sep. 30, 1993 [GB] United Kingdom ..... 2034228

[52] U.S. Cl. .... **D14/253; D14/142**

[58] Field of Search ..... **D14/251, 253, 240, 140,**  
**D14/142, 138, 114; D13/107, 108; 379/58-61,**  
**441, 440, 454, 455, 419, 420, 428**

[56] **References Cited**

**U.S. PATENT DOCUMENTS**

- D. 276,809 12/1984 Taylor ..... D14/253
- D. 307,016 4/1990 Watanabe ..... D14/138 X
- D. 319,052 8/1991 Major ..... D14/138
- D. 320,991 10/1991 Nagai et al. .... D14/240 X

- D. 321,885 11/1991 Sheldrake ..... D14/253
- D. 323,504 1/1992 Langton ..... D14/148 X
- D. 350,545 9/1994 Olkkola et al. .... D14/253
- 5,052,943 10/1991 Davis ..... D14/114 X
- 5,230,016 7/1993 Yasuda ..... 379/455 X
- 5,253,292 10/1993 Fluder et al. .... 379/454 X
- 5,301,224 4/1994 Major ..... 379/58

*Primary Examiner*—Nelson C. Holtje  
*Assistant Examiner*—Jeffrey Asch  
*Attorney, Agent, or Firm*—Perman & Green

[57] **CLAIM**

The ornamental design for a holder for a portable telephone, as shown and described.

**DESCRIPTION**

FIG. 1 is a front perspective view from below and one side of a holder for a portable telephone showing our new design;

FIG. 2 is a rear perspective view from above and the other side;

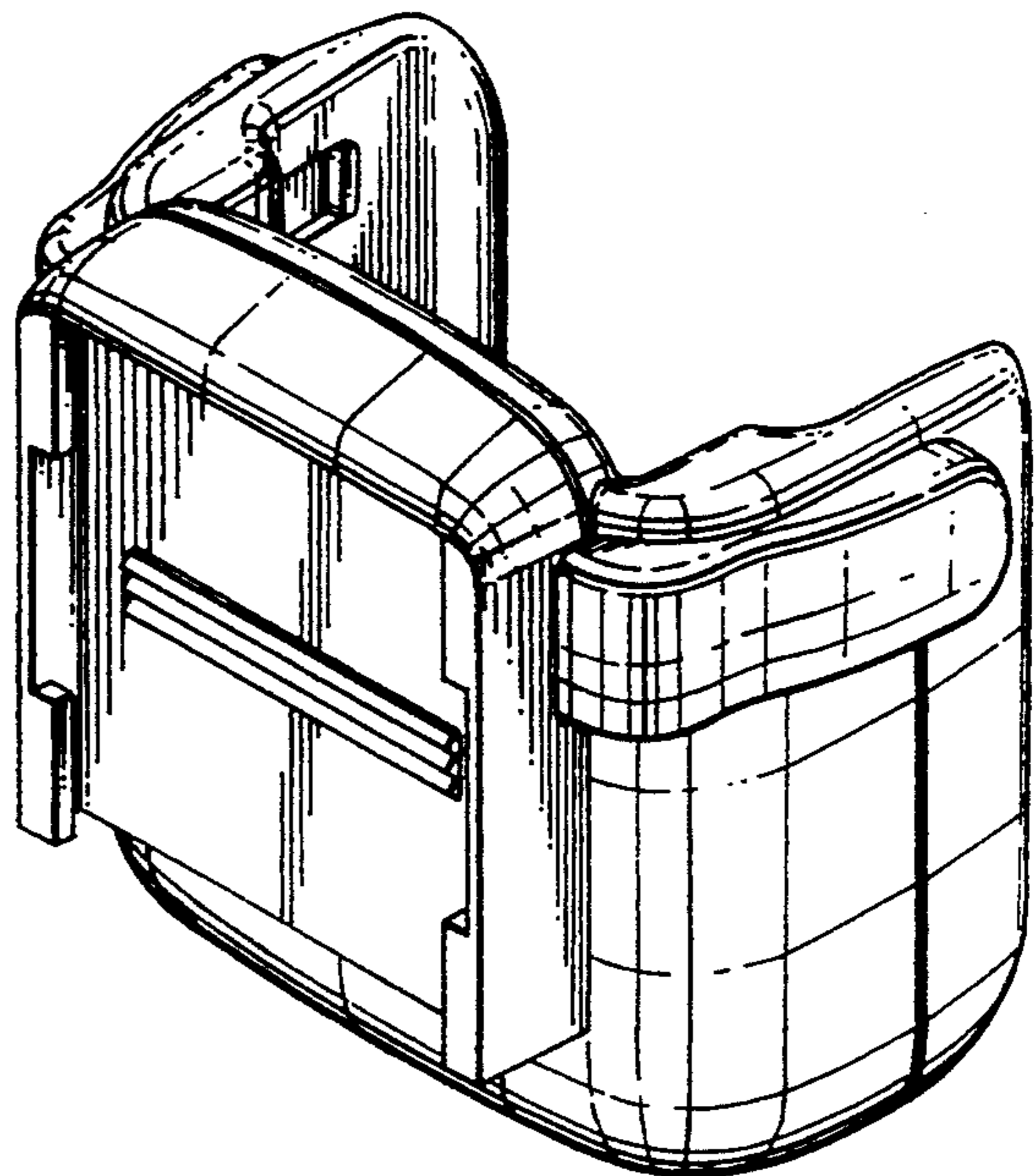
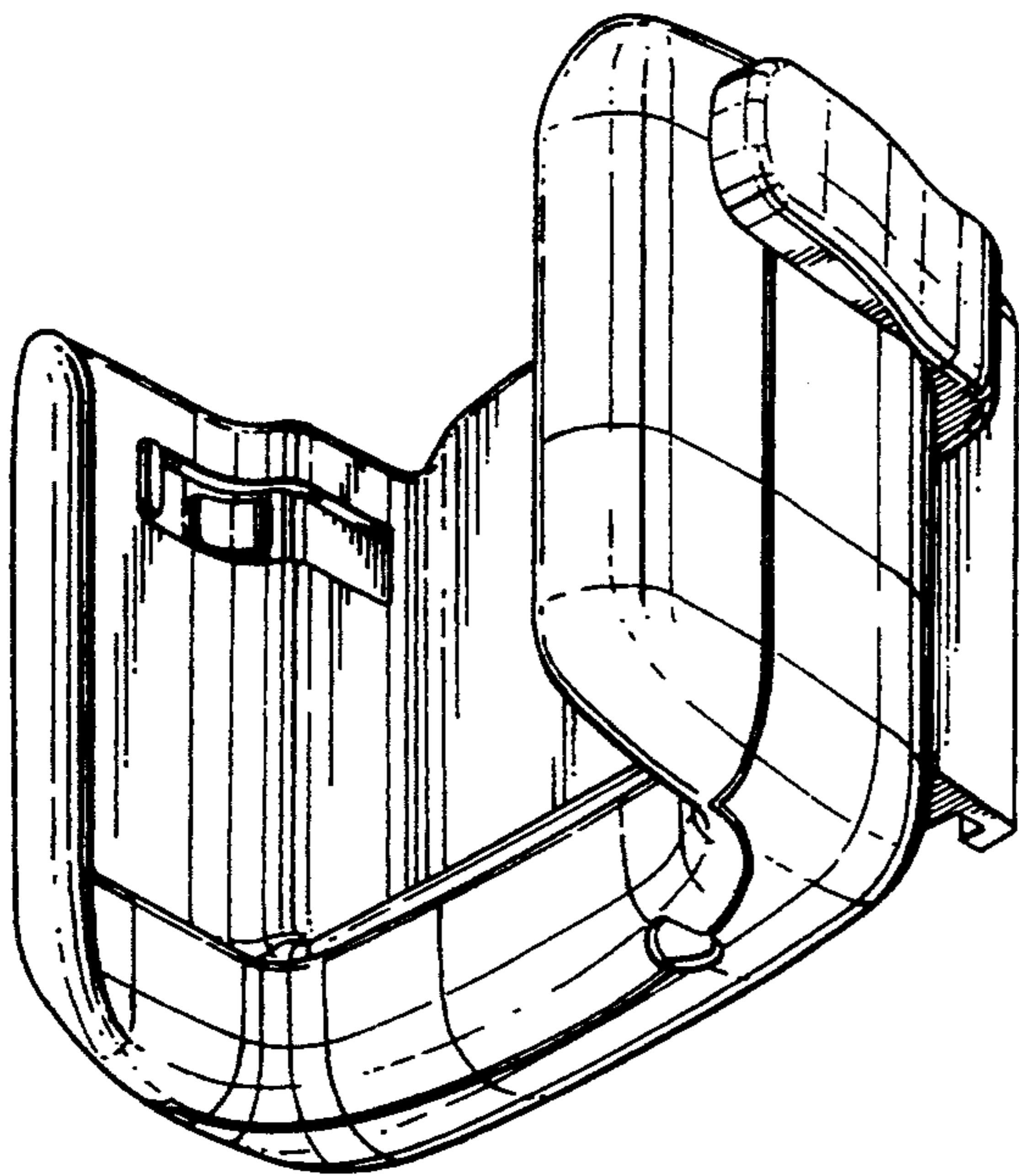
FIG. 3 is a rear view;

FIG. 4 is a bottom plan view;

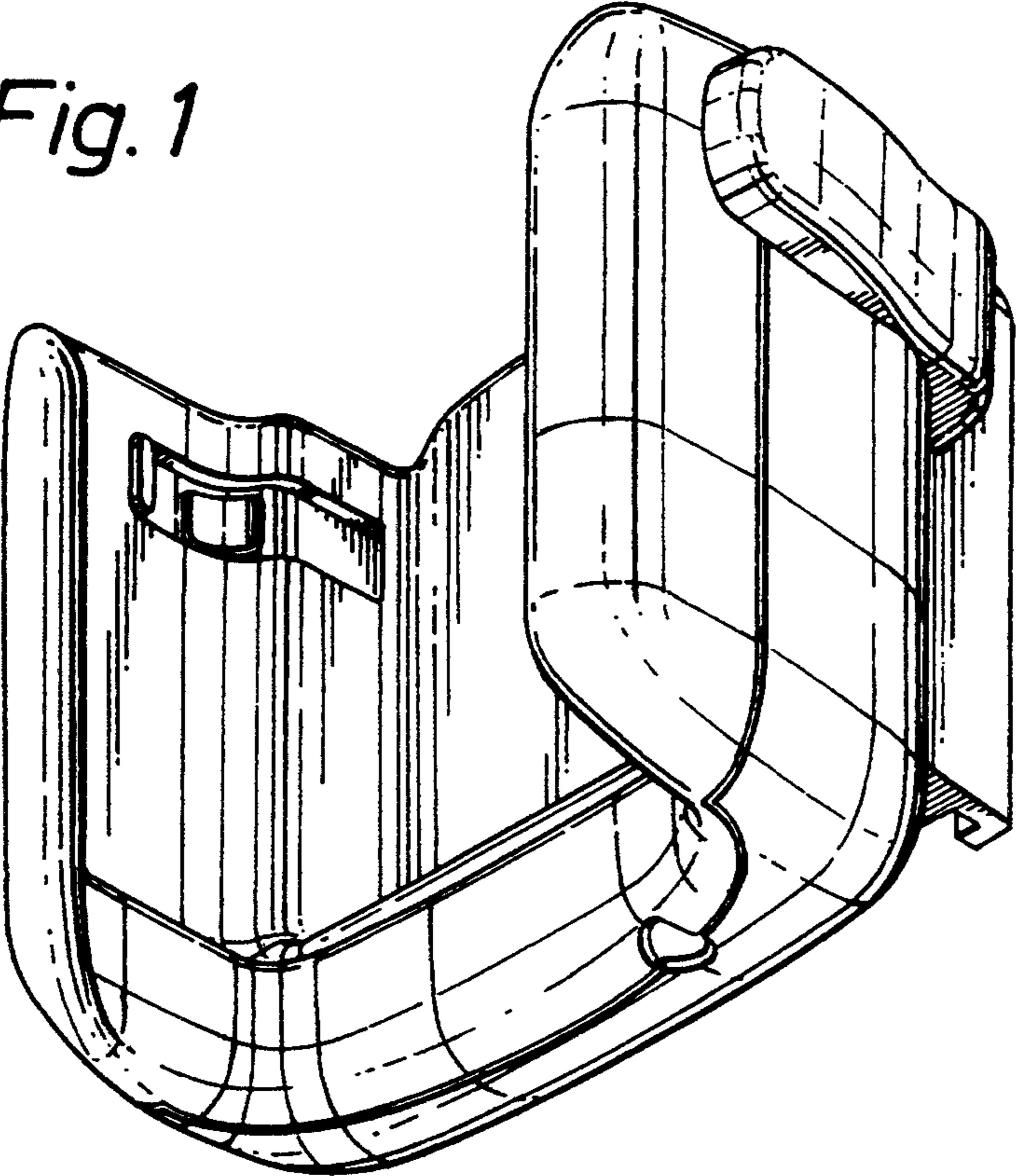
FIG. 5 is a front side view;

FIG. 6 is a top plan view; and,

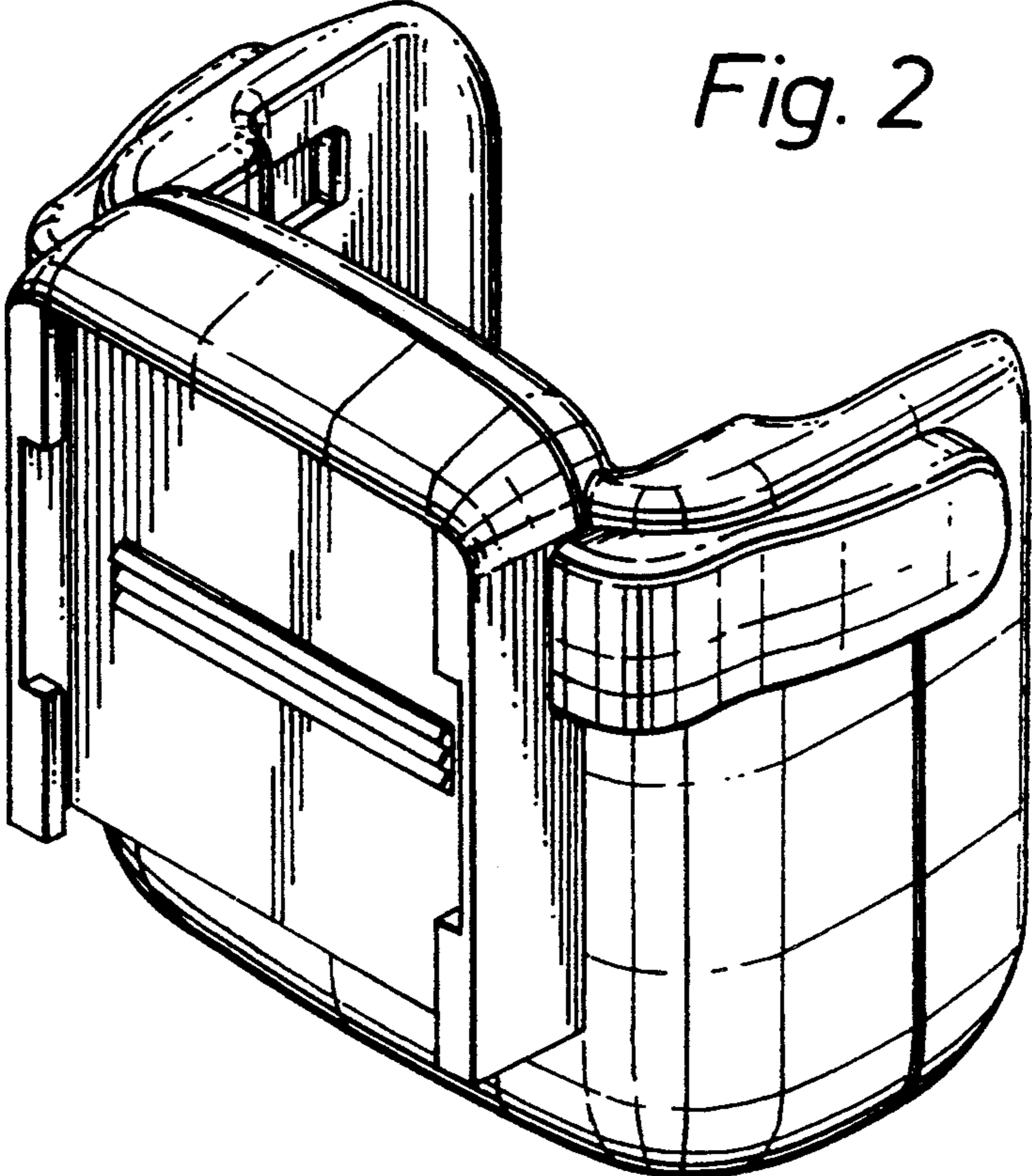
FIG. 7 is a side view.



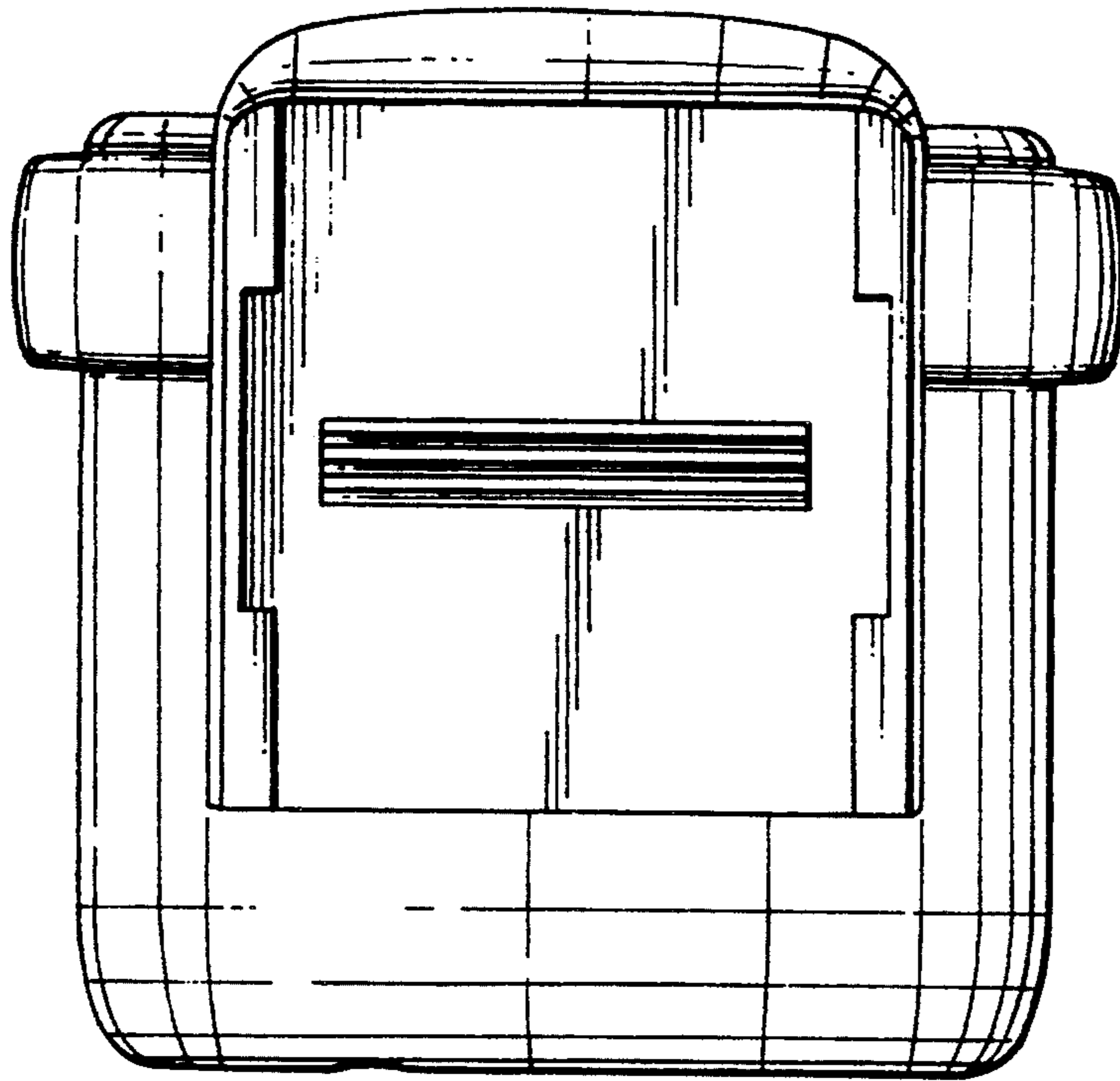
*Fig. 1*



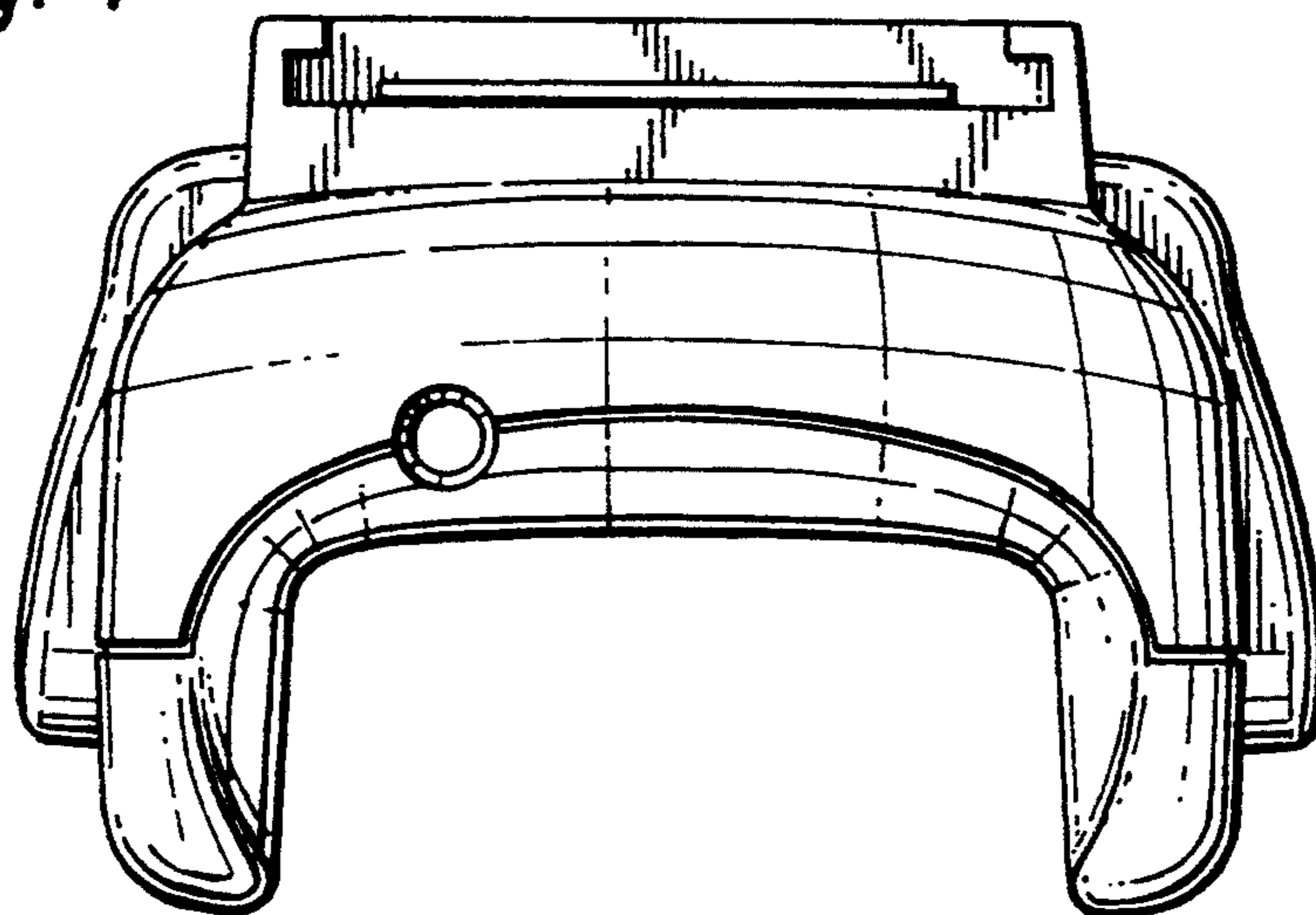
*Fig. 2*



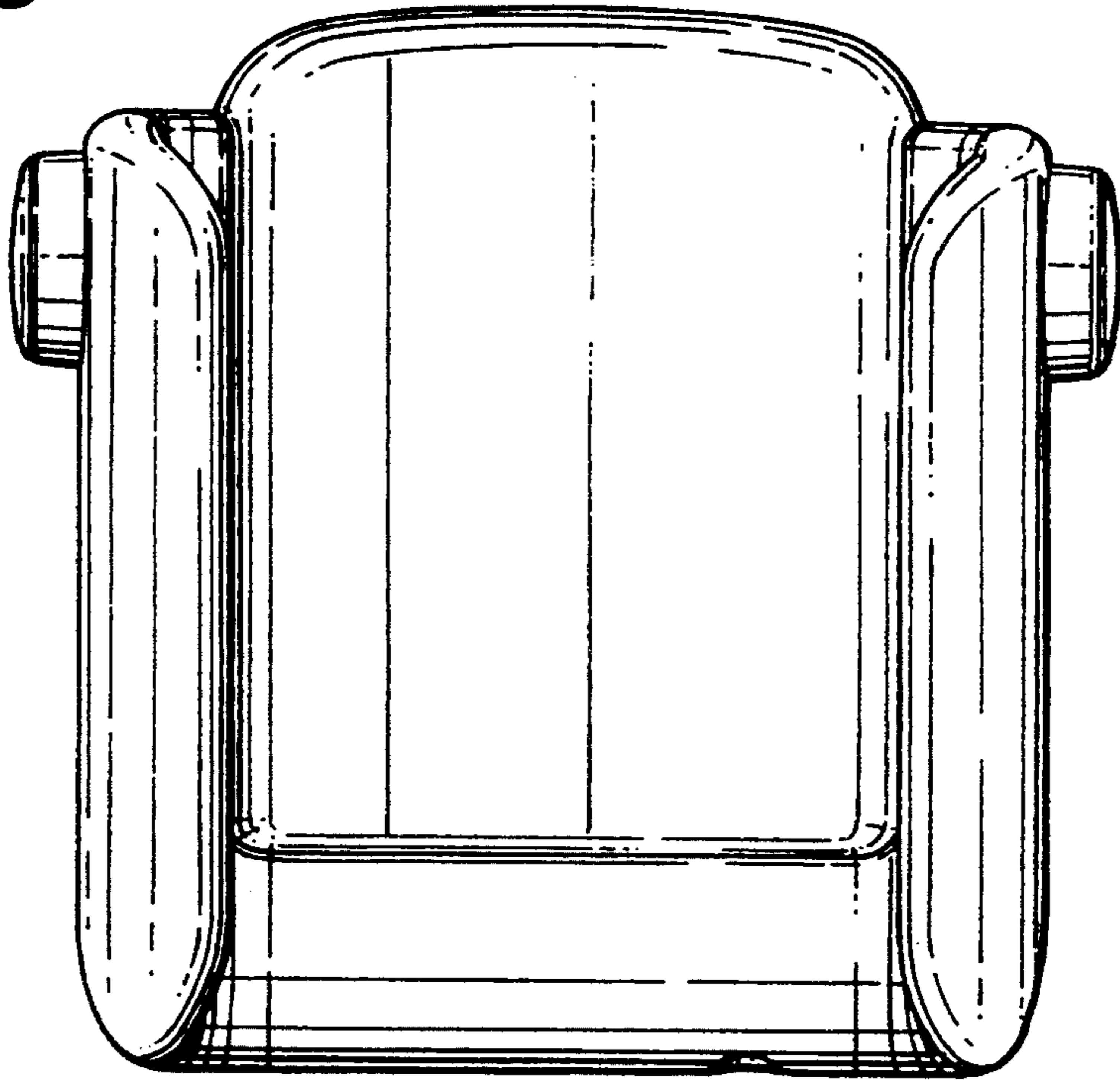
*Fig. 3*



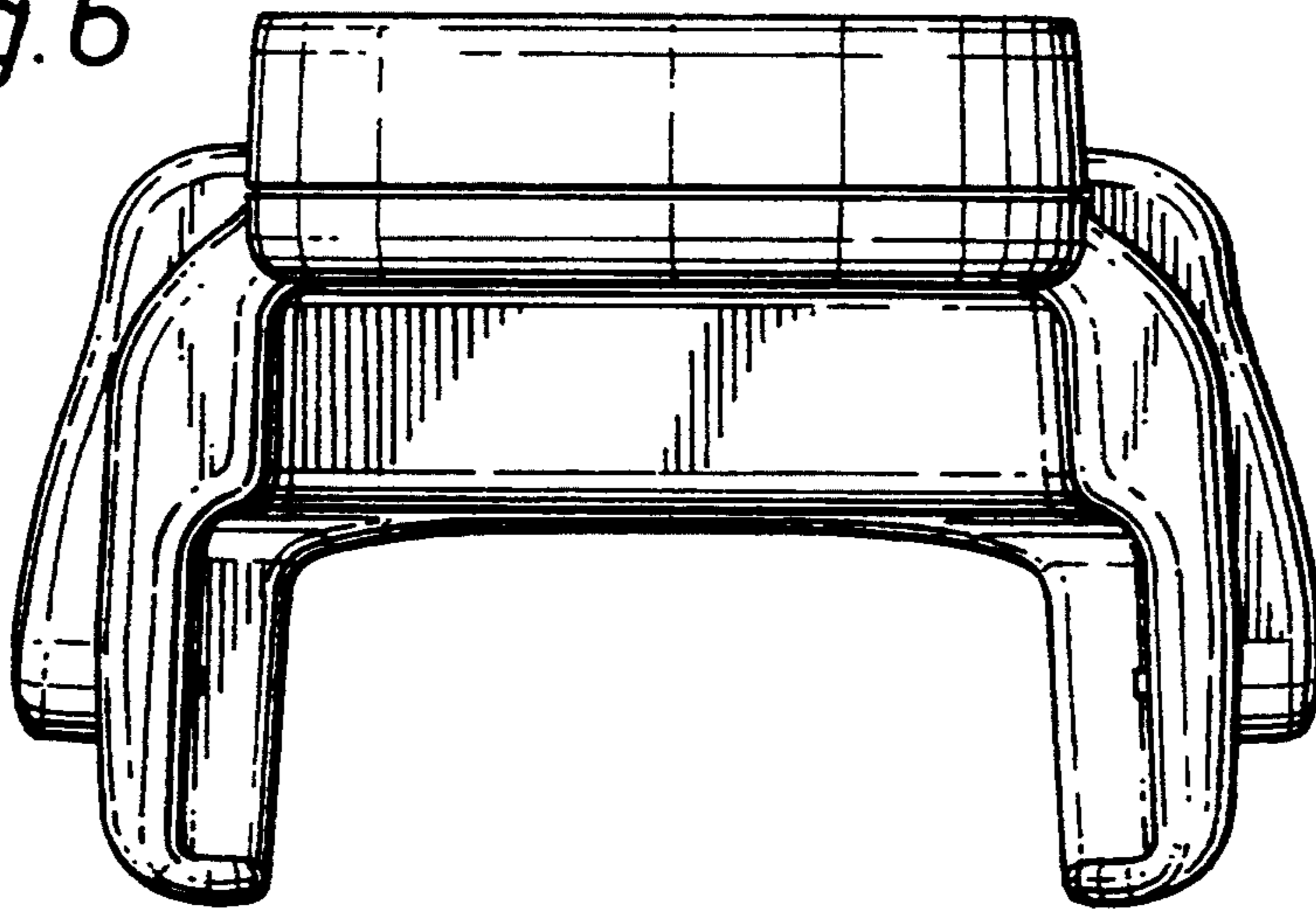
*Fig. 4*



*Fig. 5*



*Fig. 6*



*Fig. 7*

