



US00D356795S

# United States Patent [19]

[11] Patent Number: **Des. 356,795**

Schultheiss

[45] Date of Patent: **\*\* Mar. 28, 1995**

[54] SATELLITE ANTENNA

2,945,229	7/1960	Klauser	.....	343/840	X
3,286,267	11/1966	Lutchansky	.....	343/880	X
4,748,451	5/1988	Edwards	.....	343/878	X
5,019,833	5/1991	Nonaka	.....	343/872	X

[75] Inventor: **Udo F. Schultheiss**, Schramberg, Germany

[73] Assignee: **Heinrich Zehnder GmbH**, Tennenbronn, Germany

*Primary Examiner*—Terry A. Wallace  
*Attorney, Agent, or Firm*—Dominik, Stein, Saccocio, Reese, Colitz & Van der Wall

[\*\*] Term: **14 Years**

## [57] CLAIM

[21] Appl. No.: **12,073**

The ornamental design of a satellite antenna, as shown and described.

[22] Filed: **Aug. 23, 1993**

[52] U.S. Cl. .... **D14/231; D14/235**

[58] Field of Search ..... **D14/230-238, D14/299; 343/815, 872-873, 907-909, 840, 912, 765, 709**

## DESCRIPTION

FIG. 1 is a perspective view of a satellite antenna showing my new design;

FIG. 2 is a right side elevational view thereof;

FIG. 3 is a front elevational view thereof;

FIG. 4 is a rear elevational view thereof;

FIG. 5 is a left side elevational view thereof;

FIG. 6 is a top elevational view thereof; and,

FIG. 7 is a bottom elevational view.

## [56] References Cited

### U.S. PATENT DOCUMENTS

D. 304,337	10/1989	Tai	.....	D14/235
D. 306,862	3/1990	Kent	.....	D14/231 X

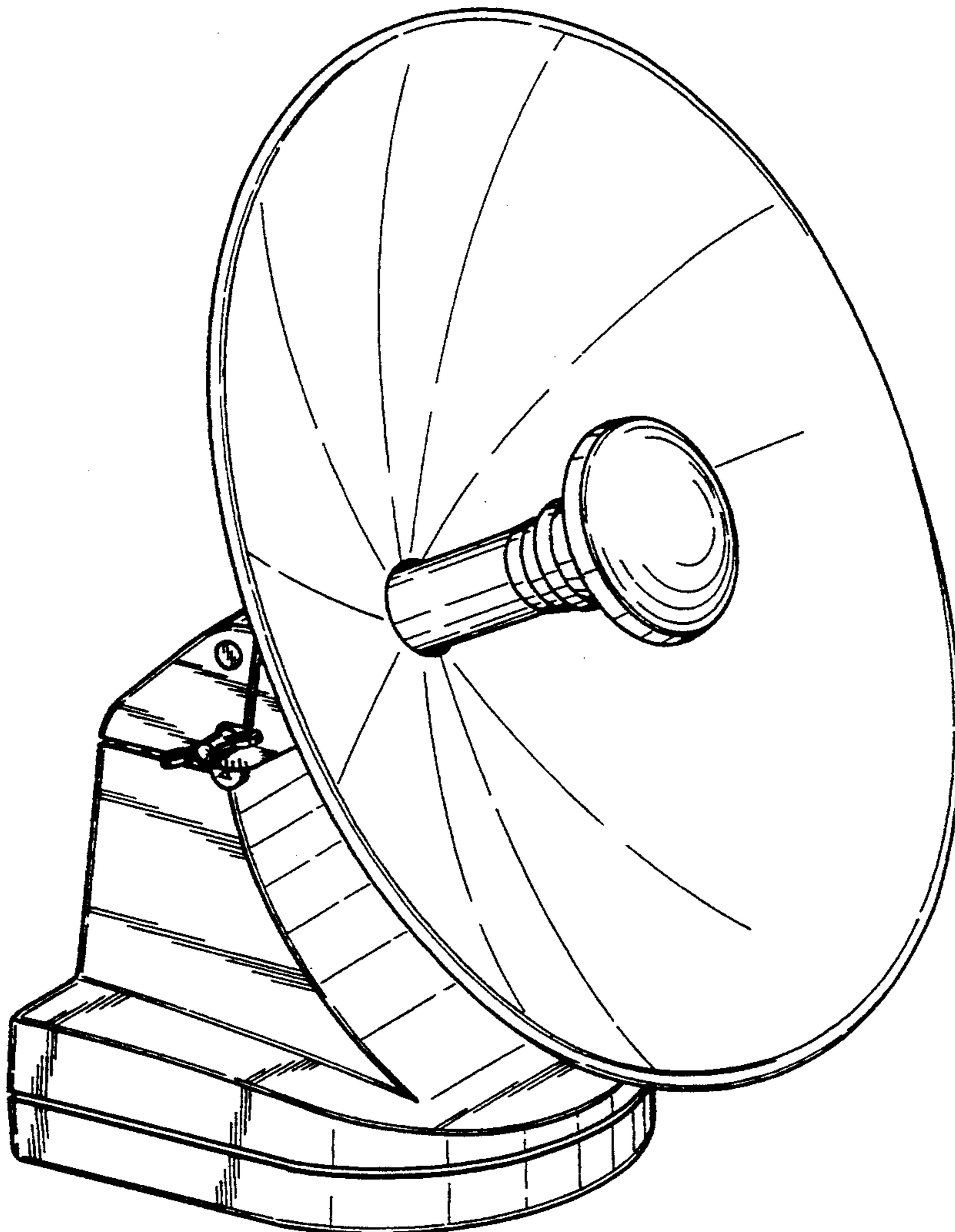
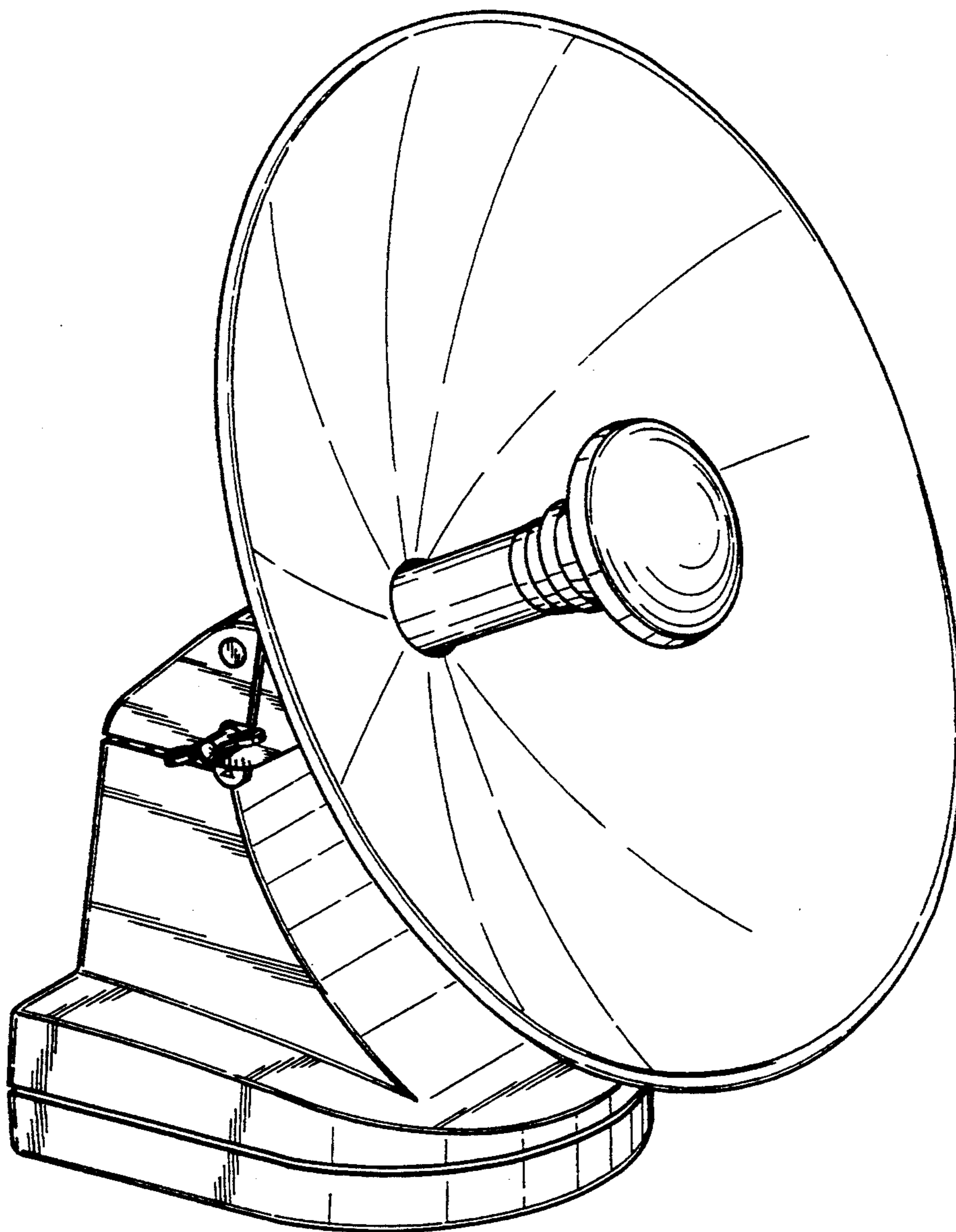


FIG. 1



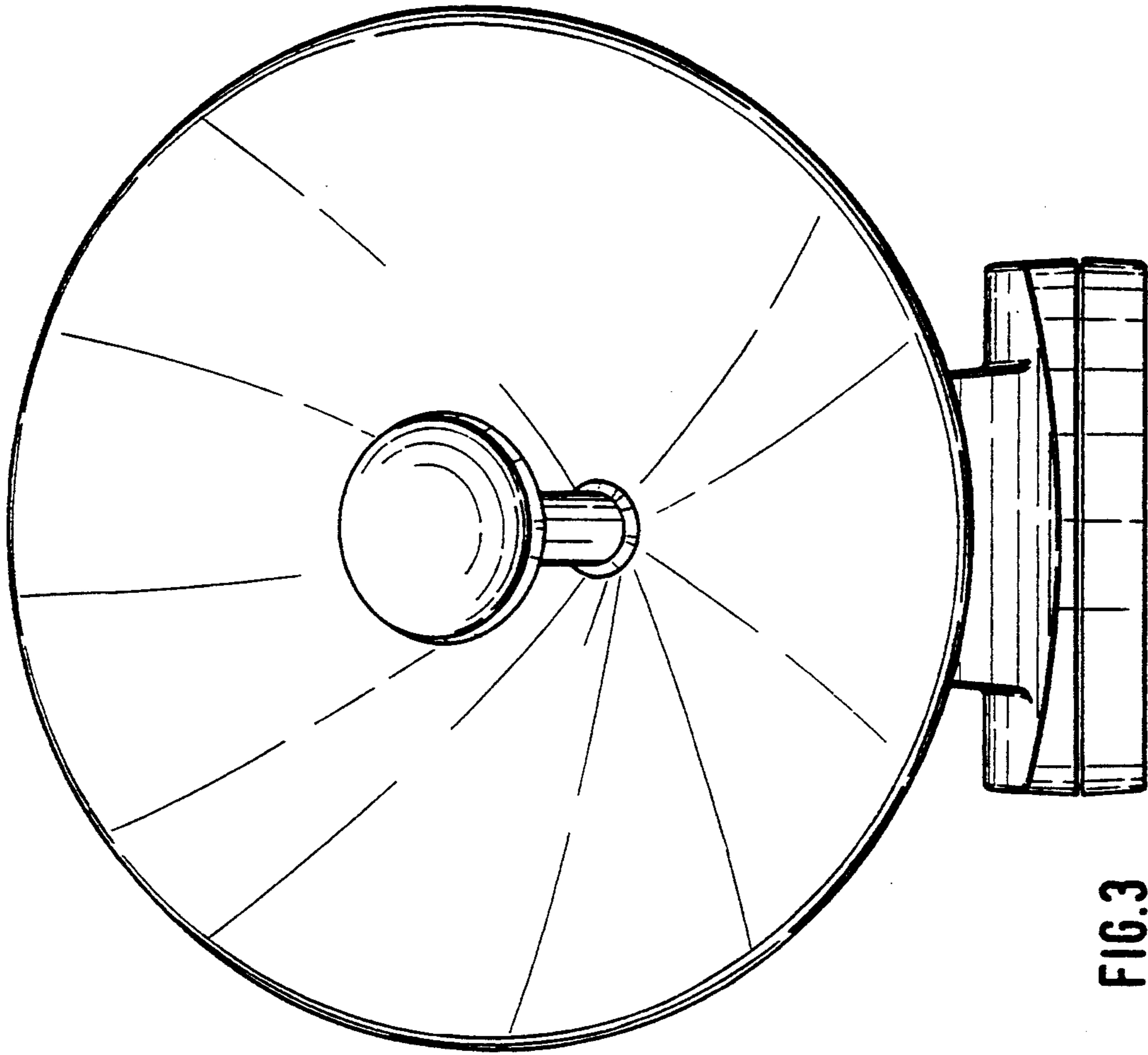


FIG. 3

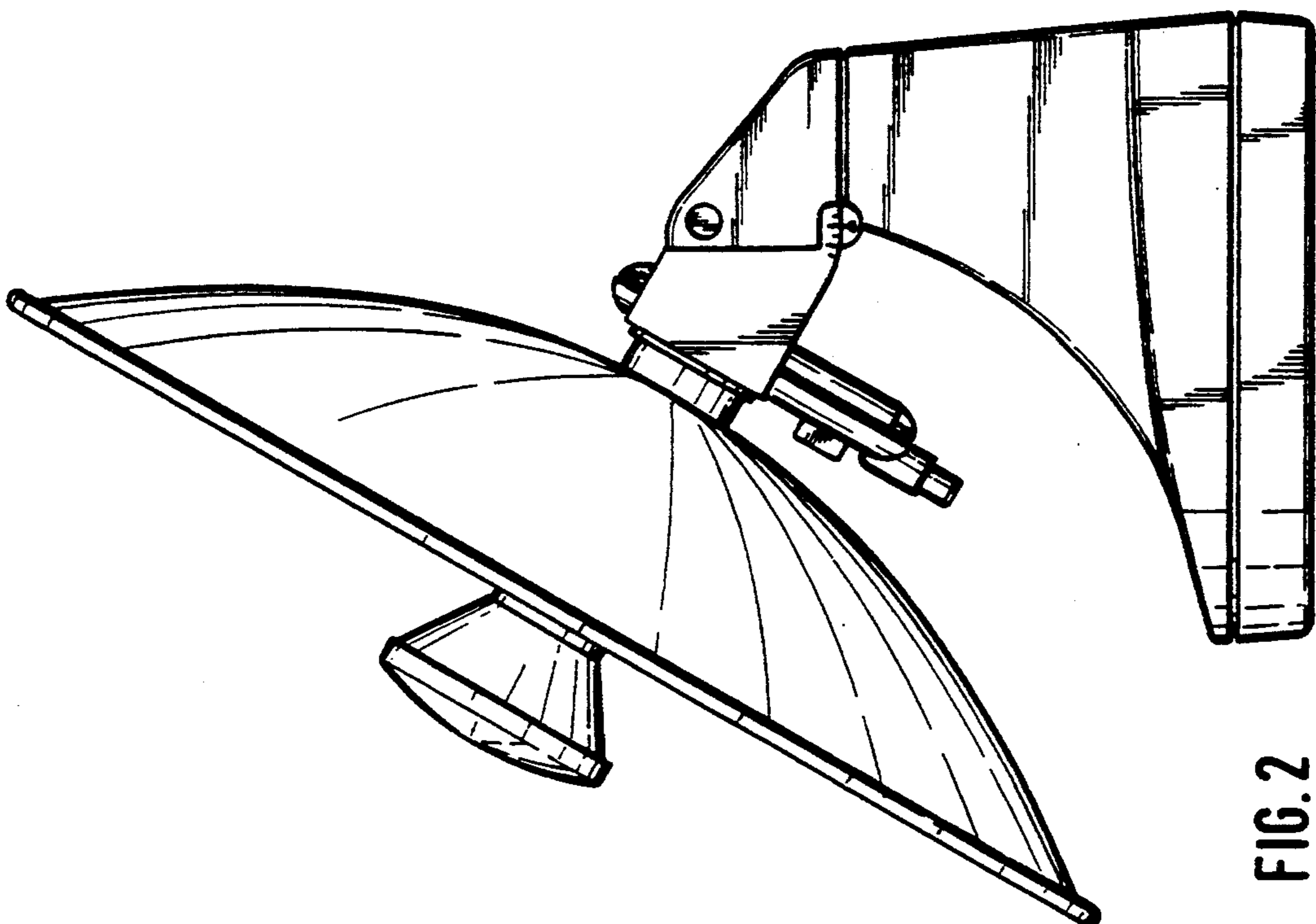


FIG. 2

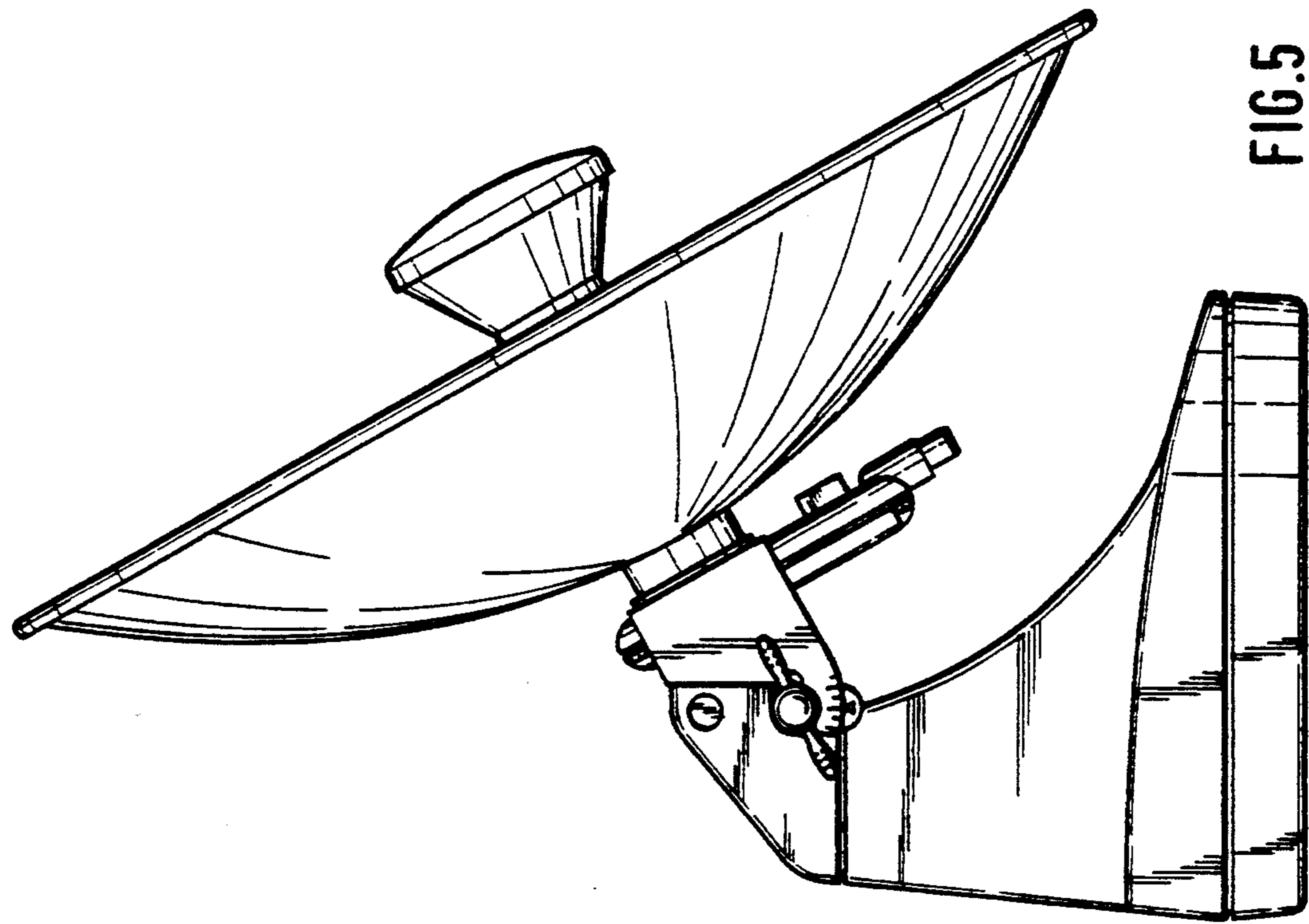


FIG. 5

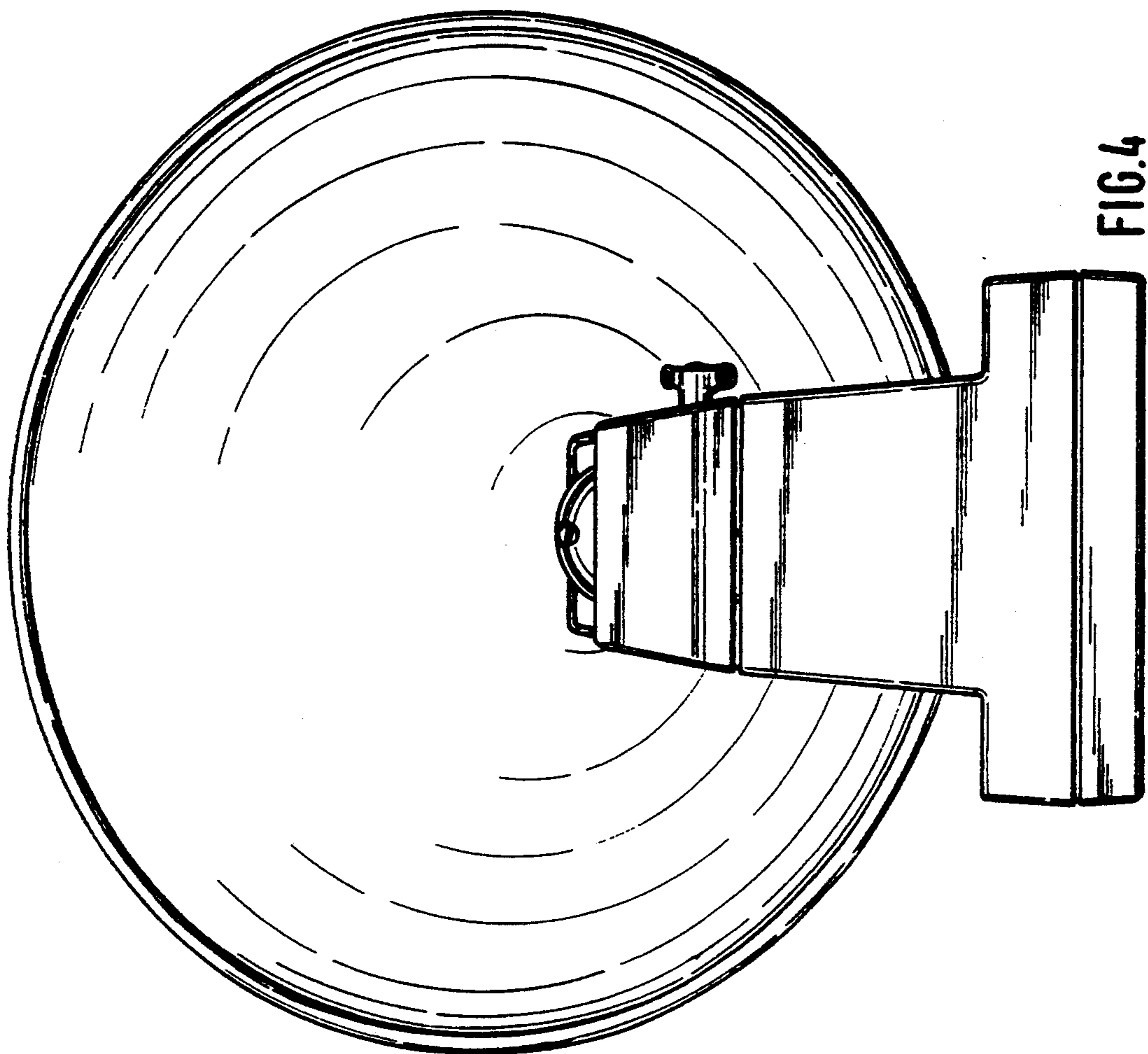


FIG. 4

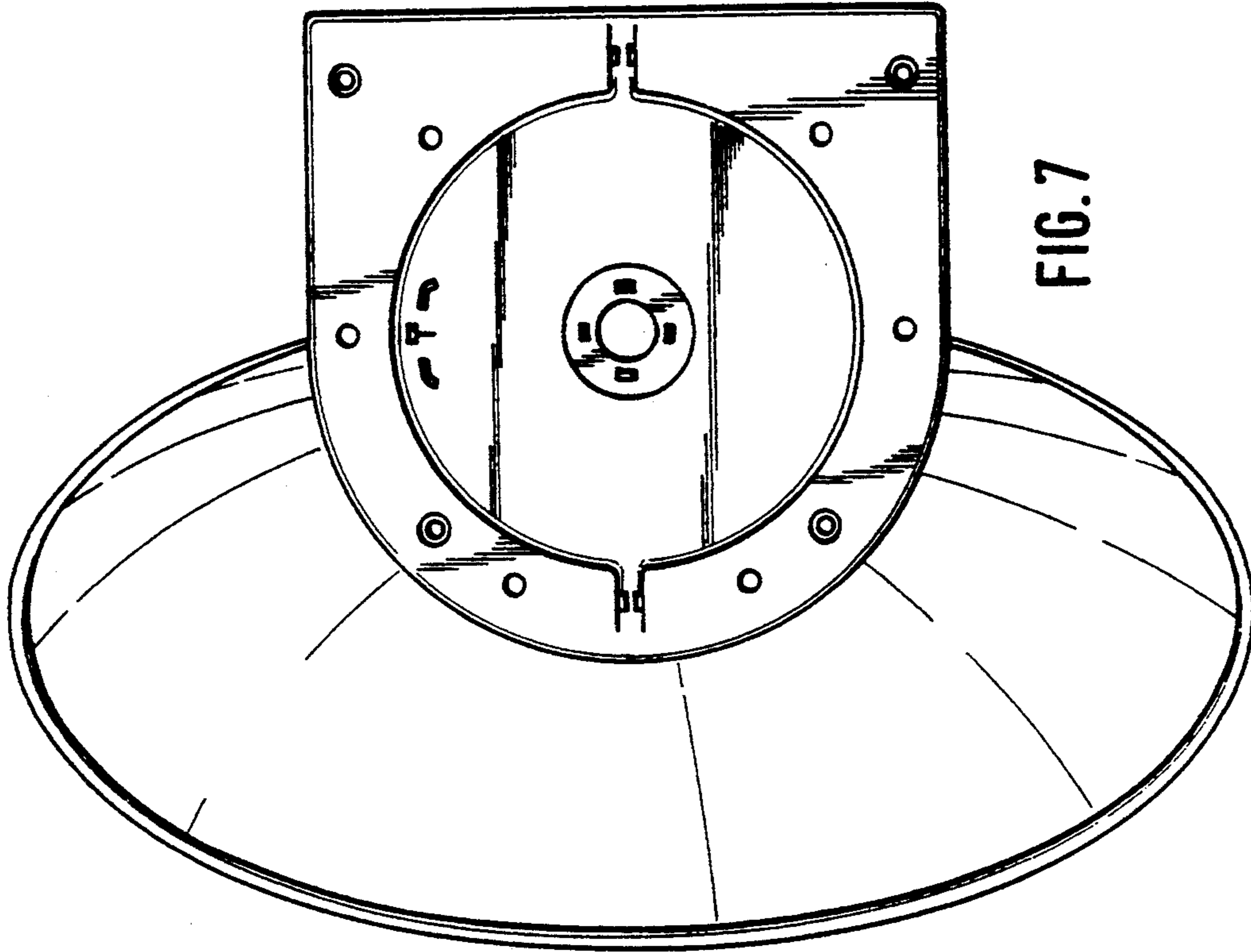


FIG. 7

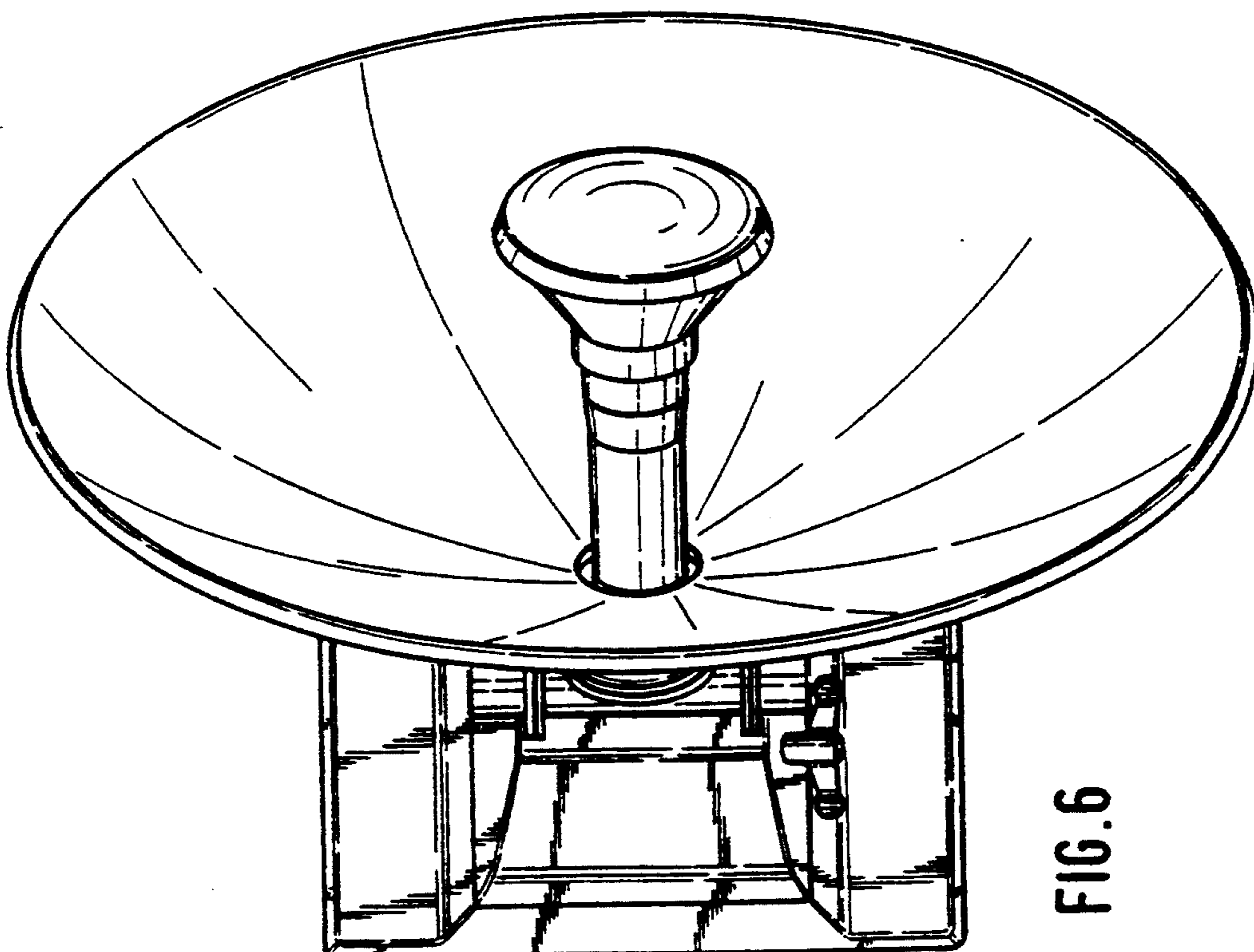


FIG. 6