



US00D356791S

United States Patent [19]

[11] Patent Number: **Des. 356,791**

Desbarats

[45] Date of Patent: **** Mar. 28, 1995**

[54] **VIDEOPHONE BASE**

[75] Inventor: **Gus Desbarats, London, England**

[73] Assignee: **British Telecommunications public limited company, London, England**

[**] Term: **14 Years**

[21] Appl. No.: **19,393**

[22] Filed: **Mar. 2, 1994**

[30] **Foreign Application Priority Data**

Sep. 3, 1993 [GB] United Kingdom 2033558

[52] U.S. Cl. **D14/130; D14/151**

[58] Field of Search D14/101, 100, 130, 140, D14/142, 241, 240, 113, 149-151; 379/419, 420, 428, 440, 434, 435, 436, 53

[56] **References Cited**

U.S. PATENT DOCUMENTS

- D. 294,250 2/1988 Watanabe et al. D14/151 X
- D. 303,390 9/1989 Ohta et al. .
- D. 304,564 11/1989 Kido et al. D14/151
- D. 306,296 2/1990 Hayashi .
- D. 321,870 11/1991 Beecher et al. D14/130
- D. 324,036 2/1992 Wakasa D14/101

- D. 328,076 7/1992 Hagiwara .
- D. 331,409 12/1992 Goldsmith et al. .
- D. 331,758 12/1992 Puel .
- D. 332,263 1/1993 Taniguchi .
- D. 342,247 12/1993 Desbarats .
- D. 344,513 2/1994 Taniuchi et al. D14/130 X
- D. 345,971 4/1994 Urewe et al. D14/149 X
- D. 345,972 4/1994 Urewe et al. D14/130
- D. 350,743 9/1994 Hicks, III et al. D14/101 X

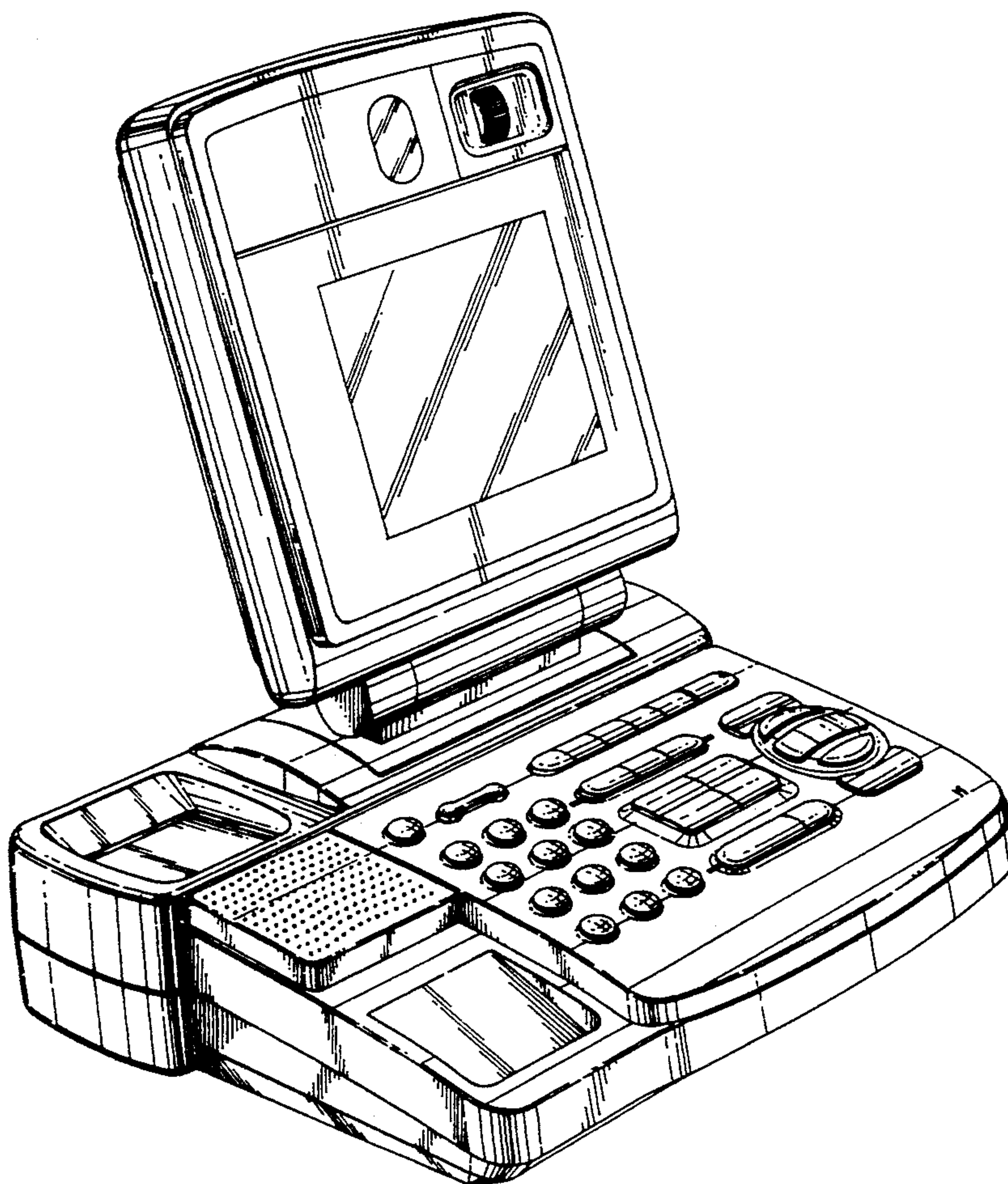
Primary Examiner—Nelson C. Holtje
Assistant Examiner—Jeffrey Asch
Attorney, Agent, or Firm—Nixon & Vanderhye

[57] CLAIM

The ornamental design for a videophone base, as shown and described.

DESCRIPTION

FIG. 1 is a top, front and left side perspective view of a videophone base according to my design; FIG. 2 is a rear elevational view thereof; FIG. 3 is a right side elevational view thereof; FIG. 4 is a bottom plan view thereof; and, FIG. 5 is a top, front and left side perspective view of the videophone base hereof with the video pod in an open position.



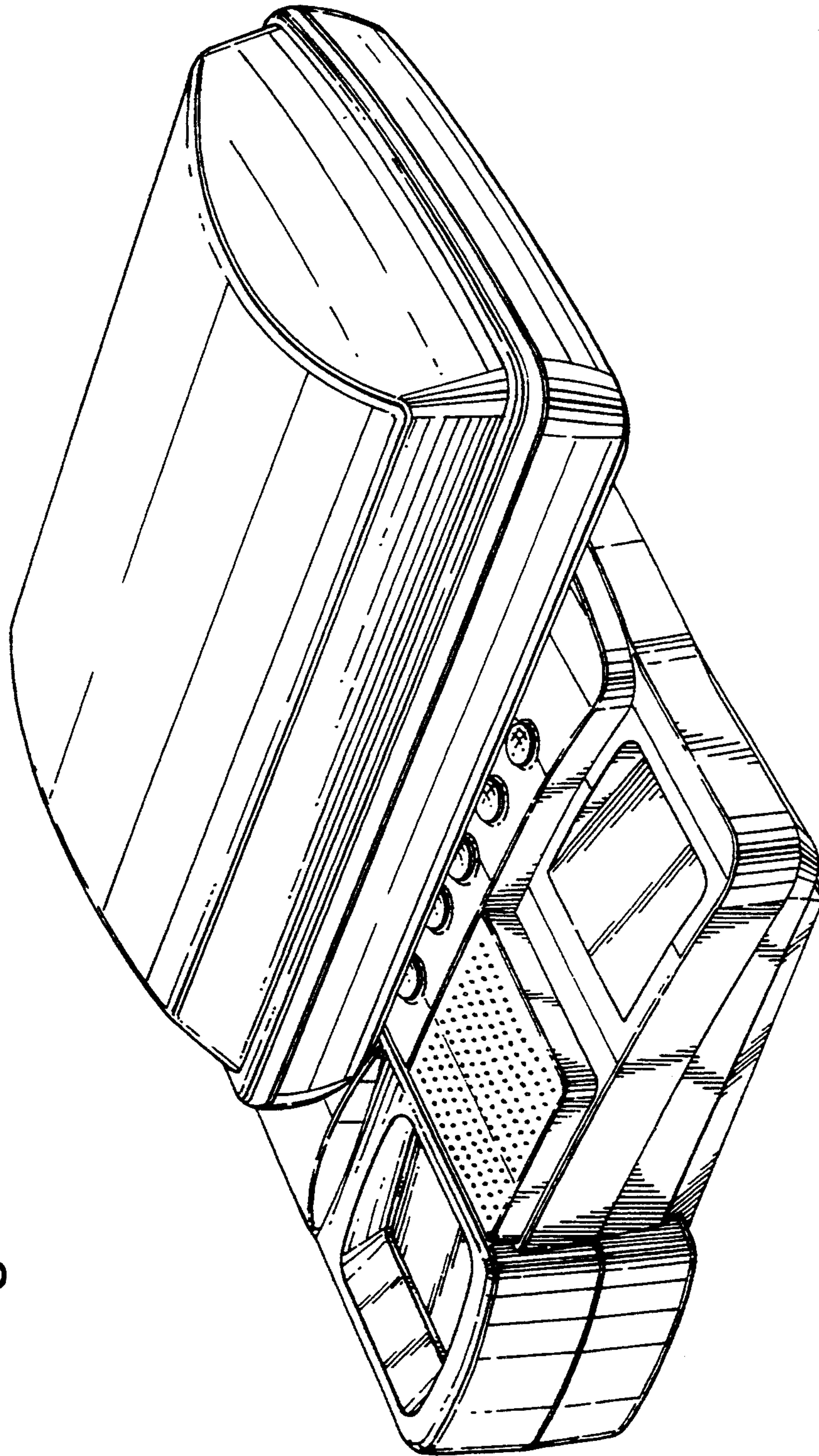


Fig. 1.

Fig.2.

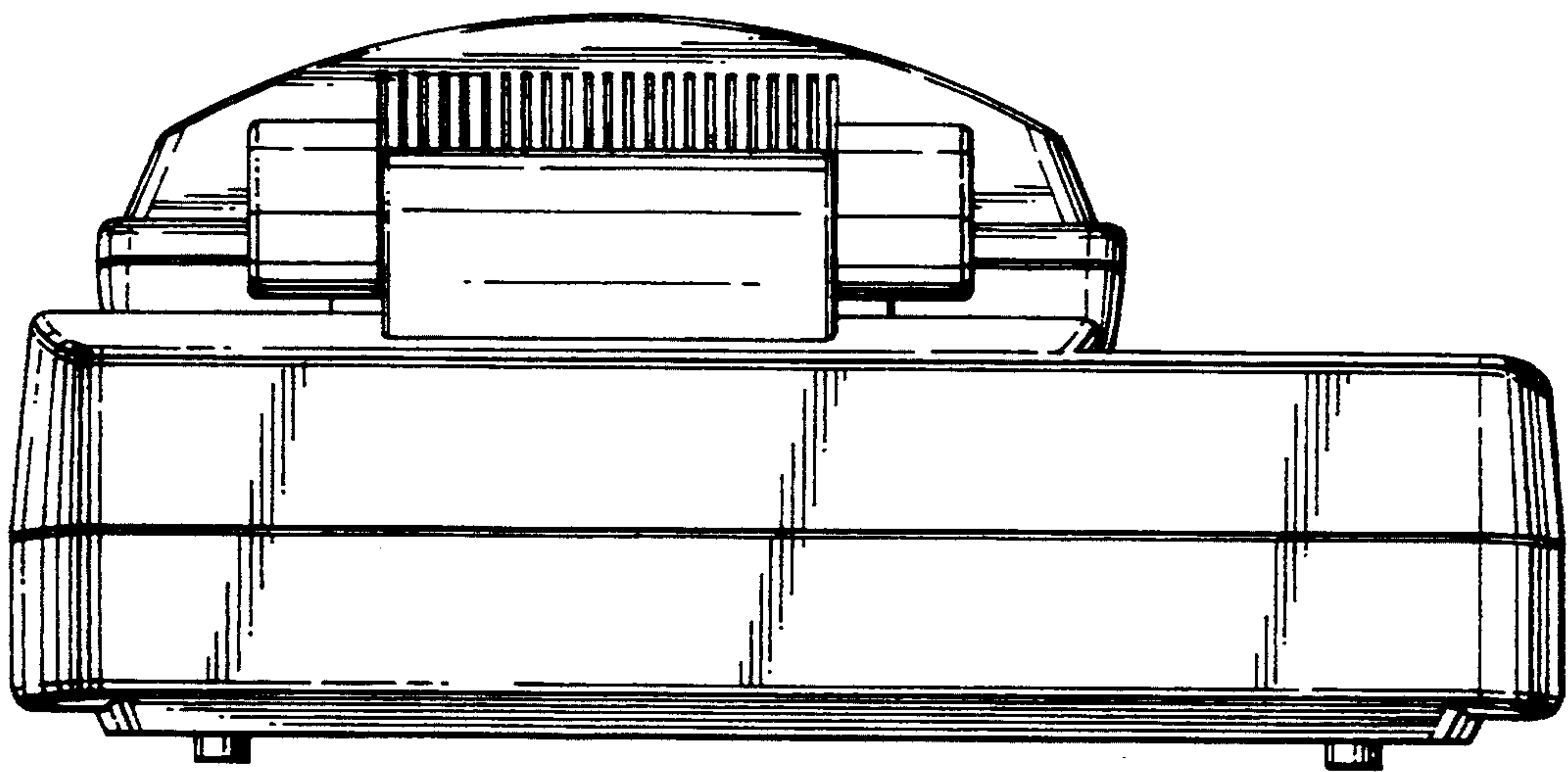


Fig.3.

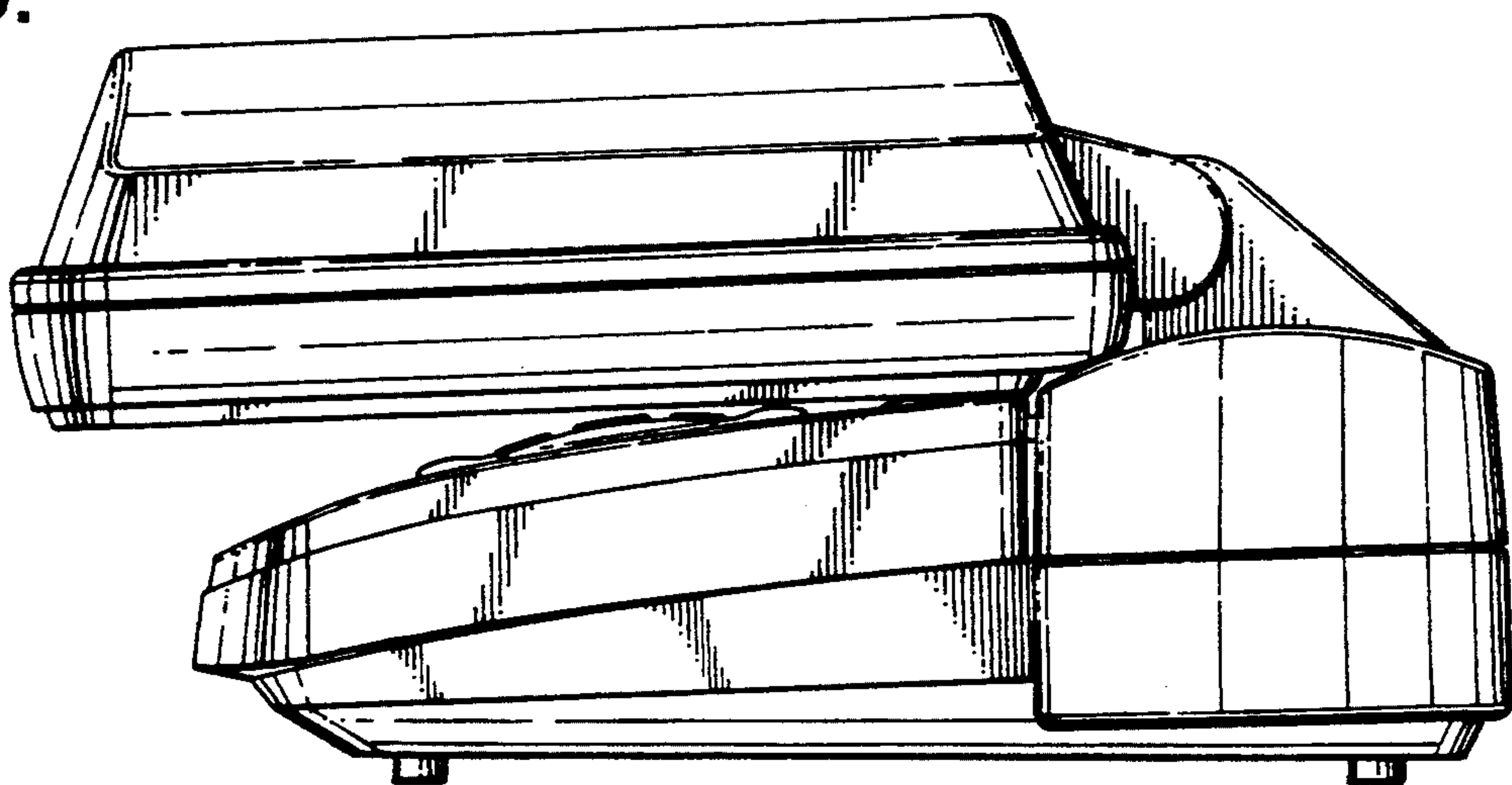


Fig.4.

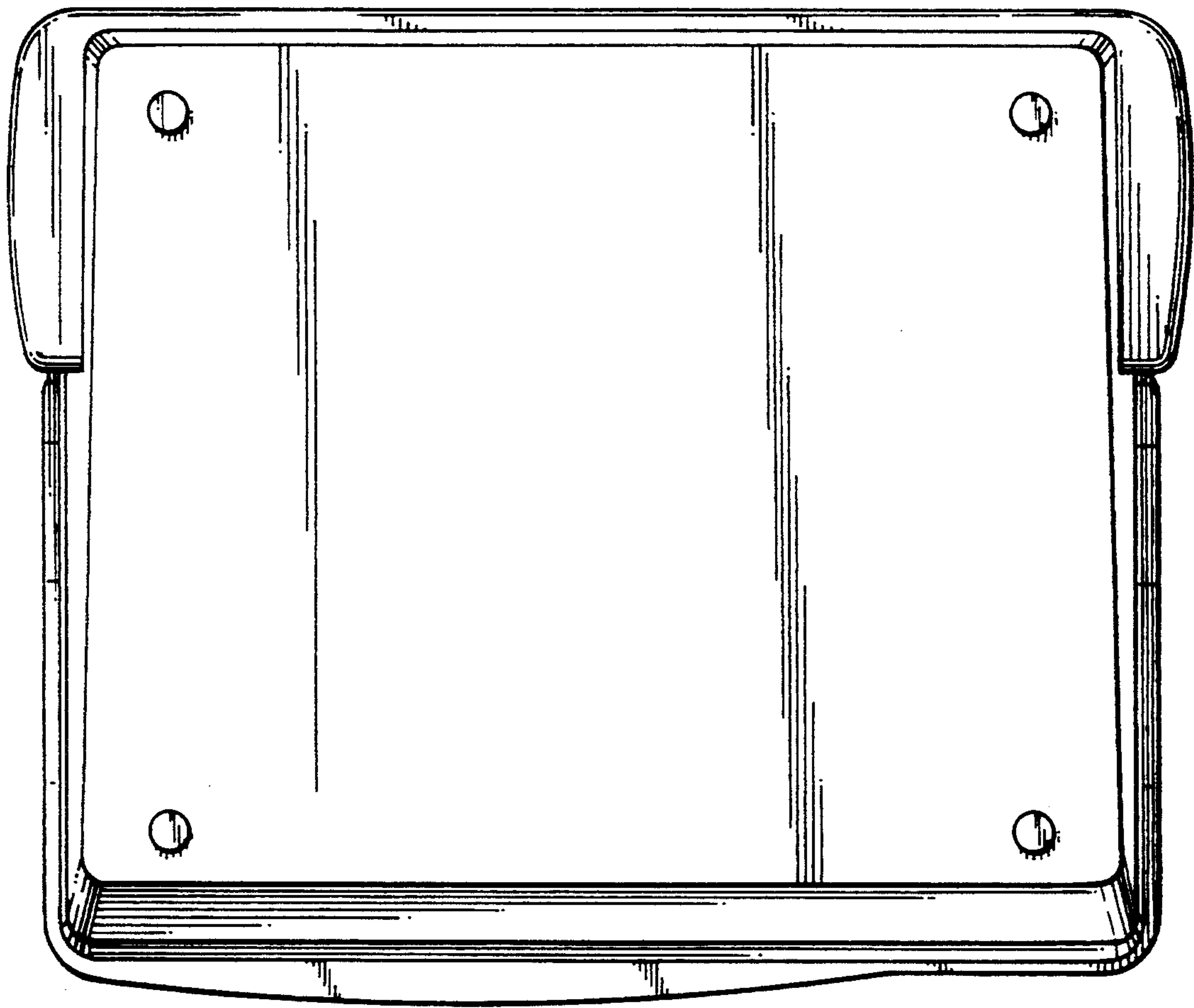


Fig.5.

