



US00D356788S

# United States Patent [19]

Mizusugi et al.

[11] Patent Number: **Des. 356,788**

[45] Date of Patent: **\*\* Mar. 28, 1995**

[54] **CURSOR CONTROL FOR COMPUTER DISPLAY**

[75] Inventors: **Kanji Mizusugi, Mie; Hiroshi Yamamizu, Nara, both of Japan**

[73] Assignee: **Sharp Kabushiki Kaisha, Osaka, Japan**

[\*\*] Term: **14 Years**

[21] Appl. No.: **16,436**

[22] Filed: **Dec. 16, 1993**

[30] **Foreign Application Priority Data**

Jun. 30, 1993 [JP] Japan ..... 5-20357

[52] U.S. Cl. .... **D14/114**

[58] Field of Search ..... D14/100, 114; D13/158; D21/48; 178/18-19; 200/5 R, 5 A, 6 R, 6 A; 213/148 B; 273/148 B; 345/156-167; 74/471 XY

[56] **References Cited**

**U.S. PATENT DOCUMENTS**

- D. 292,600 11/1987 Wagner ..... D14/114 X
- D. 301,256 5/1989 Iwata ..... D21/48
- D. 342,241 12/1993 Ashmun et al. .... D14/114

- D. 348,083 6/1994 Smith, III et al. .... D21/48
- 4,952,919 8/1990 Nippoldt ..... D14/114 X
- 5,122,654 6/1992 Koh et al. .... D14/114 X

*Primary Examiner*—Melanie H. Tung  
*Attorney, Agent, or Firm*—Nixon & Vanderhye

[57] **CLAIM**

The ornamental design for a cursor control for computer display, as shown and described.

**DESCRIPTION**

FIG. 1 is a top, front and right side perspective view of a cursor control for computer display according to our design;

FIG. 2 is a top plan view thereof;

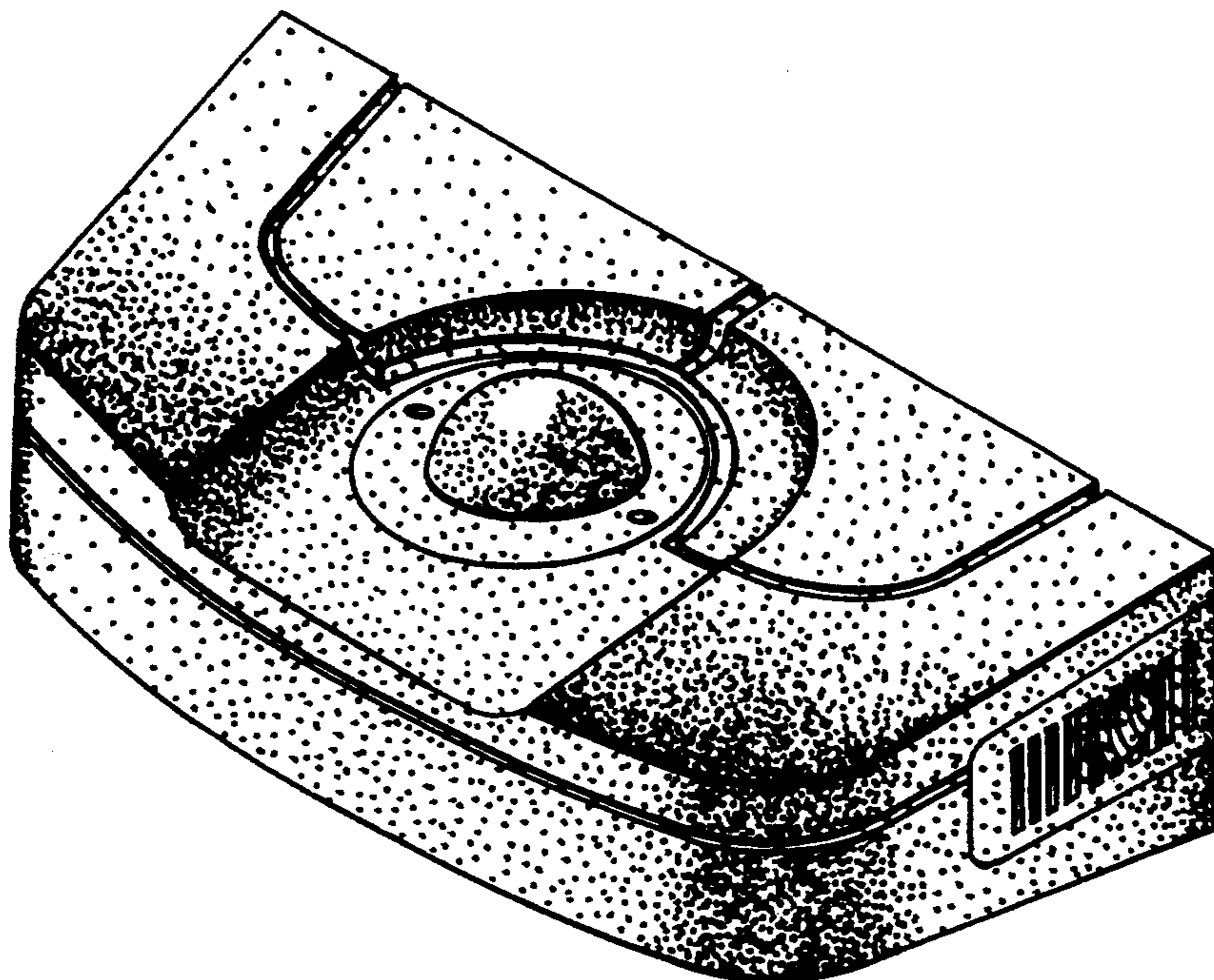
FIG. 3 is a front elevational view thereof;

FIG. 4 is a right side elevational view thereof, the left side is a mirror image;

FIG. 5 is a bottom plan view thereof;

FIG. 6 is a rear elevational view thereof; and,

FIG. 7 is a view similar to FIG. 1 on a reduced scale with the dashed lines illustrating a computer to which the cursor control of the present design may be attached, the dashed lines representing the environment in which the cursor control is used and not forming part of the present invention.



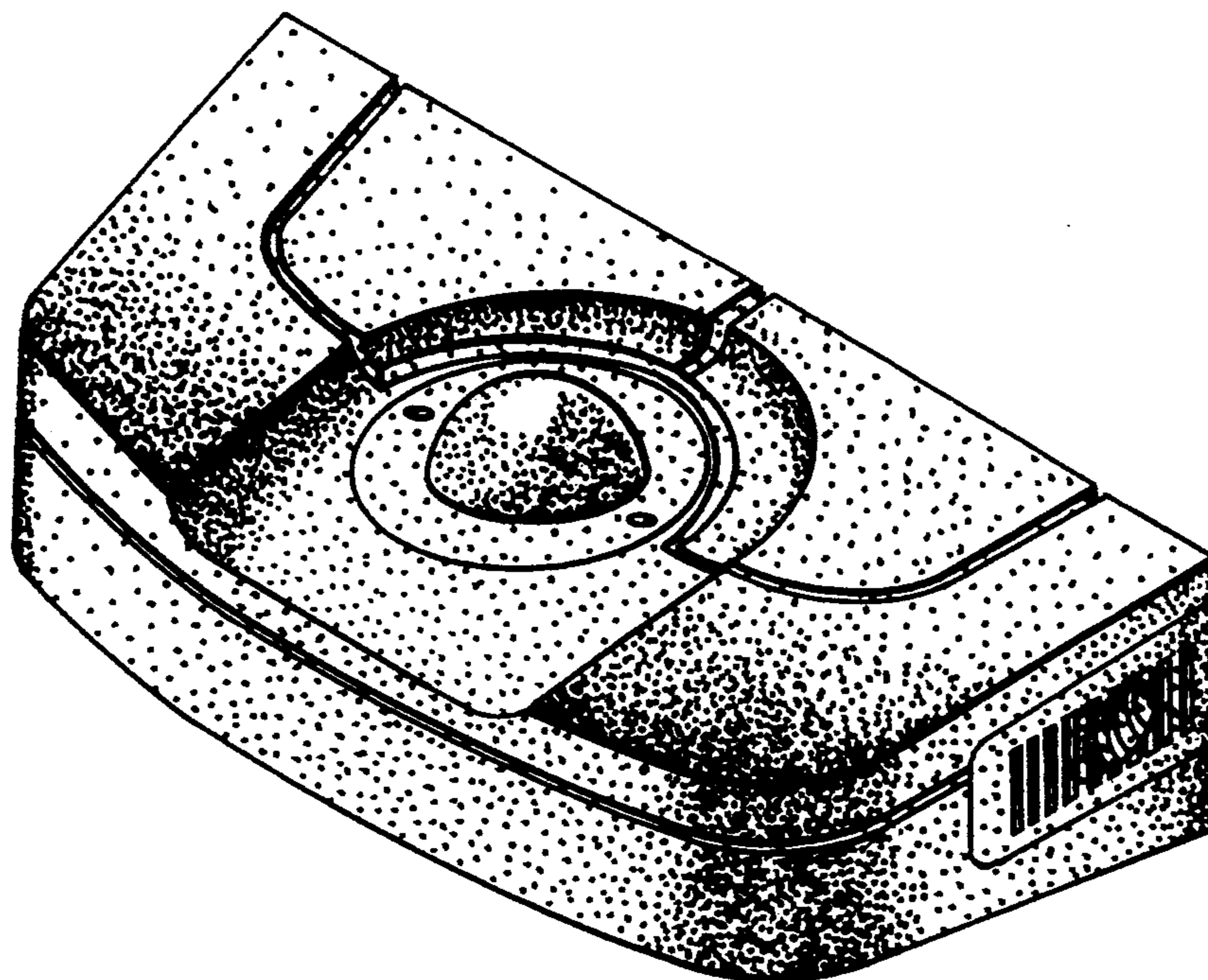


FIG. 1

FIG. 2

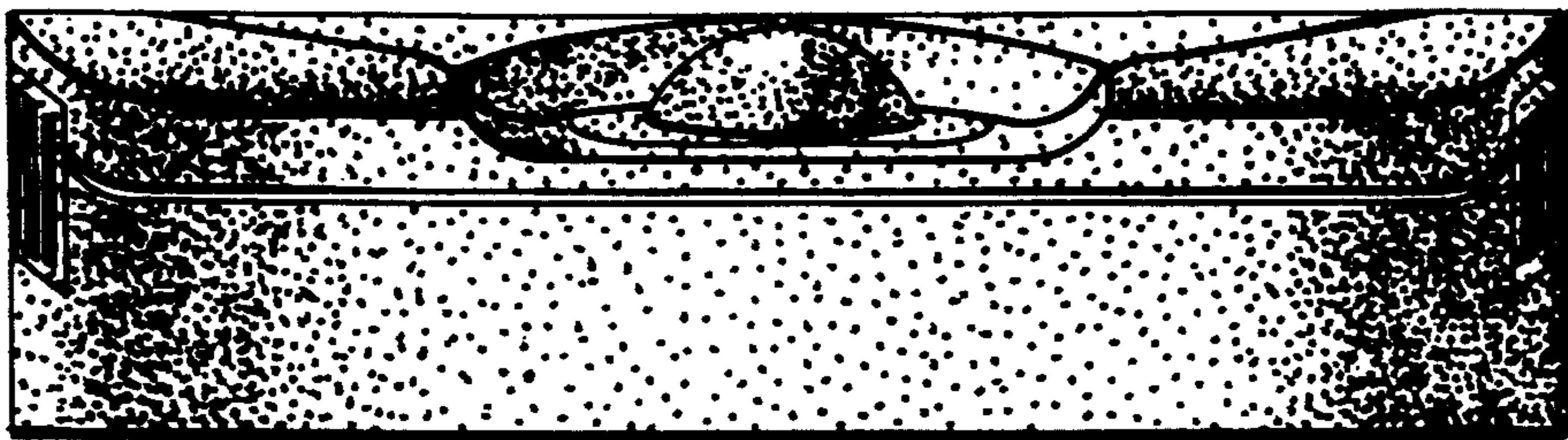
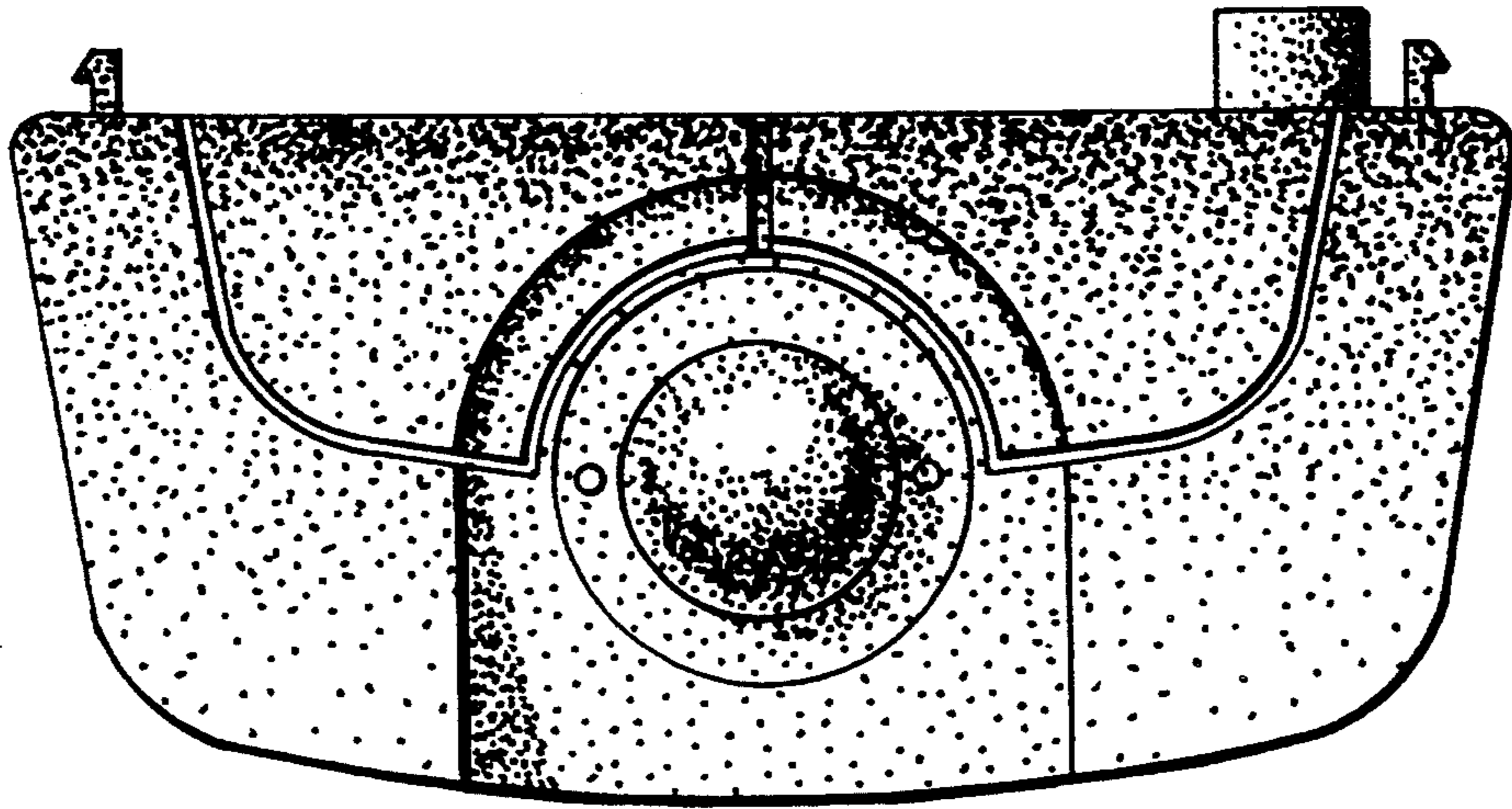


FIG. 3

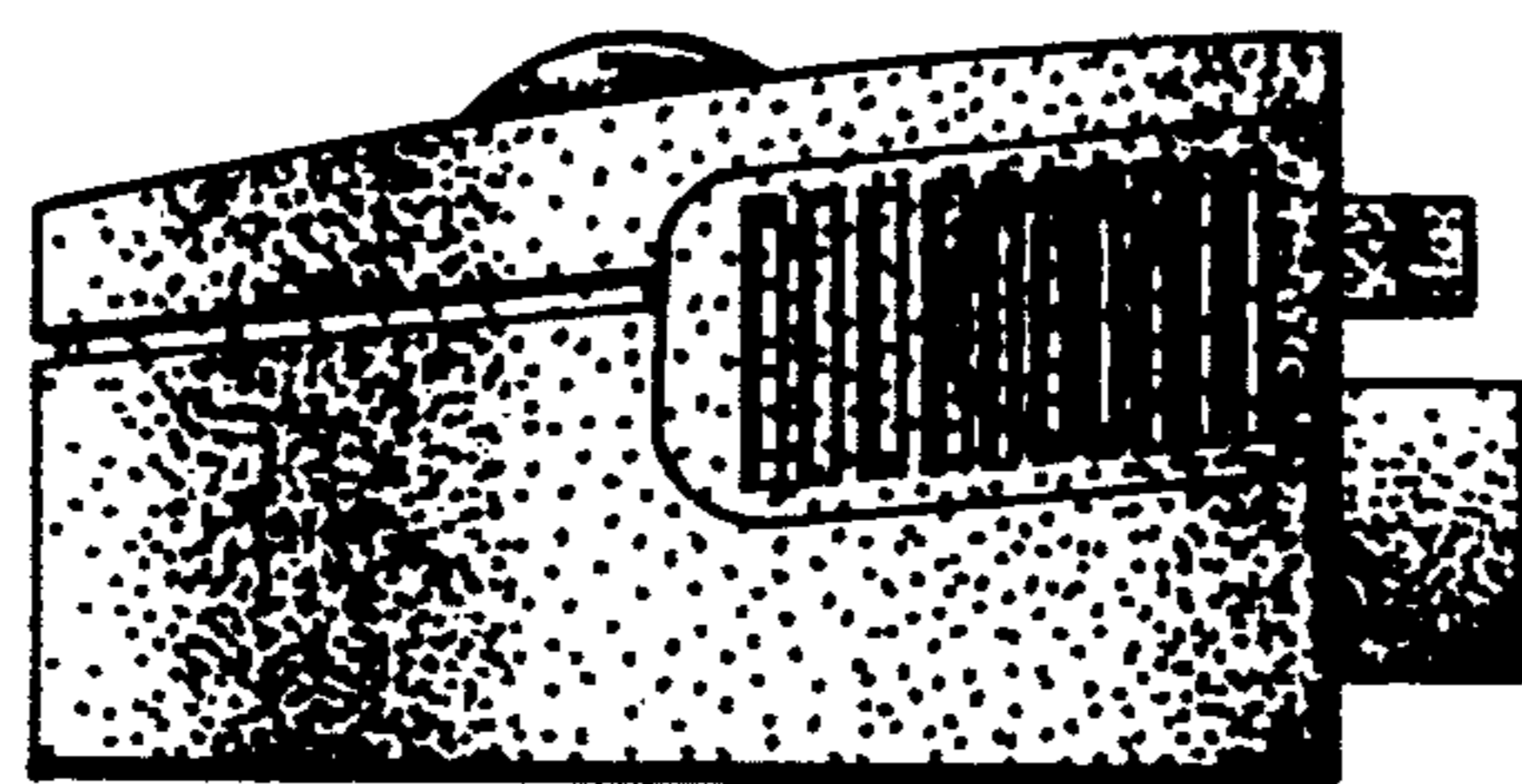


FIG. 4

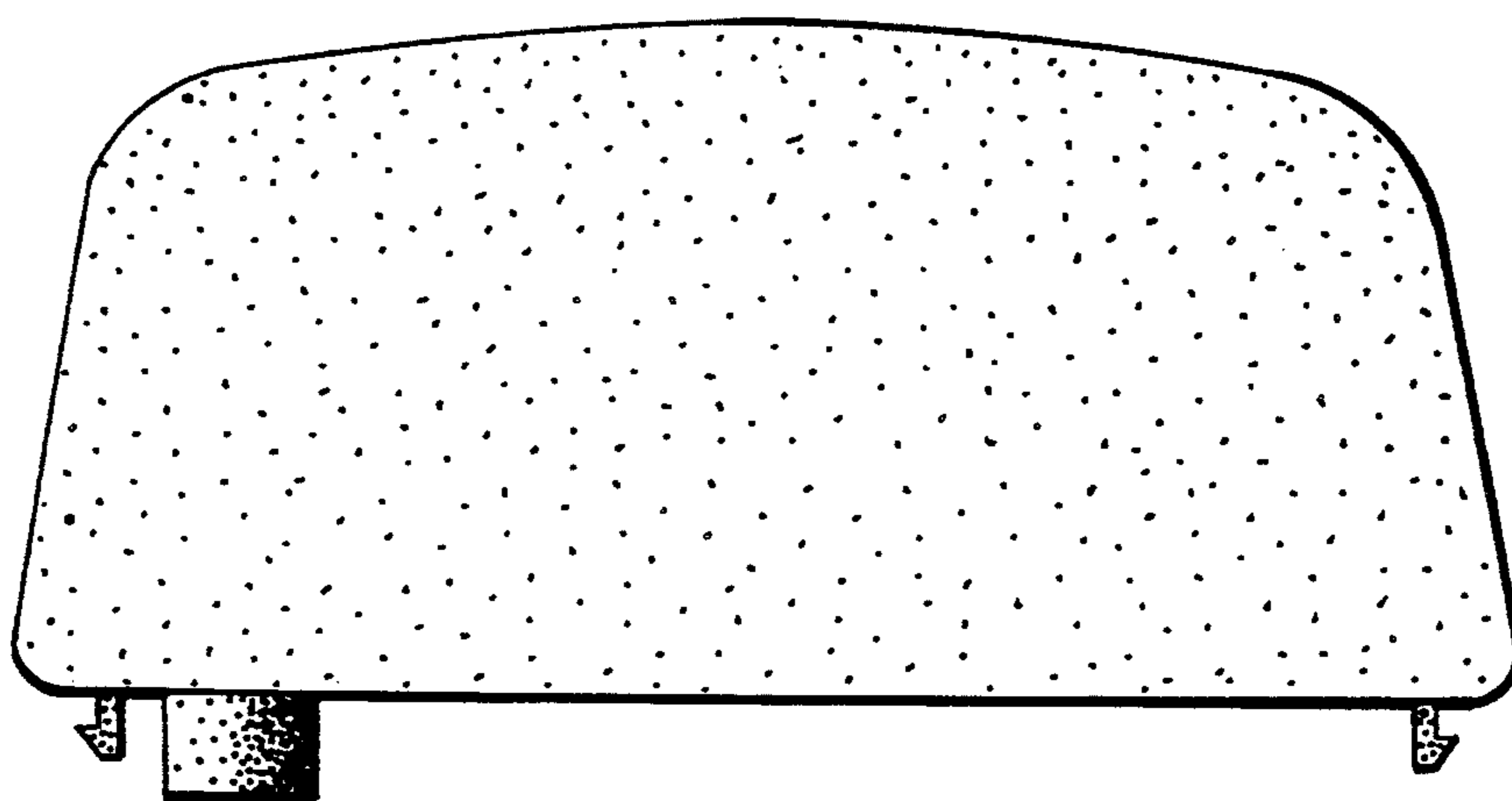


FIG. 5

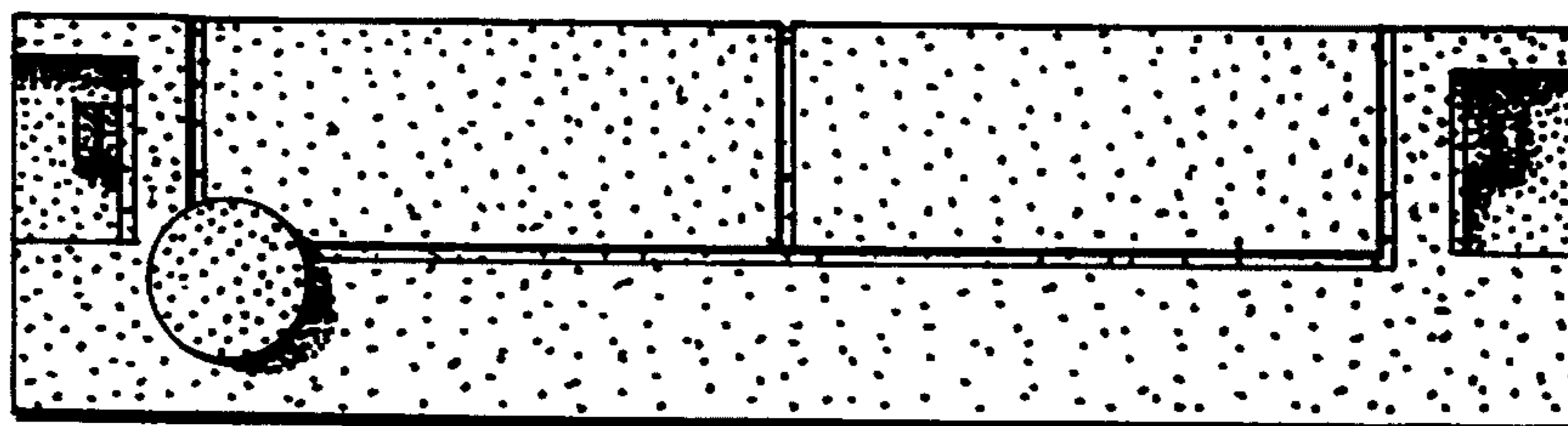


FIG. 6

FIG. 7

