



US00D356786S

United States Patent [19]

Sacherman et al.

[11] Patent Number: **Des. 356,786**

[45] Date of Patent: **** Mar. 28, 1995**

[54] **COLOR MONITOR**

[75] Inventors: **Jim Sacherman, Palo Alto; Thomas Shoda, Foster City, both of Calif.**

[73] Assignee: **Palo Alto Design Group, Palo Alto, Calif.**

[**] Term: **14 Years**

[21] Appl. No.: **2,055**

[22] Filed: **Dec. 1, 1992**

[52] U.S. Cl. **D14/113**

[58] Field of Search **D14/100, 101, 106, 113, D14/124-127; 248/917-924; 345/156, 173; 358/249, 254, 255**

[56] **References Cited**

U.S. PATENT DOCUMENTS

D. 294,944 3/1988 Chu **D14/113**

D. 303,789 10/1989 Brunner **D14/100**
D. 316,086 4/1991 Gauffin **D14/113**
D. 336,645 6/1993 Saito et al. **D14/113**

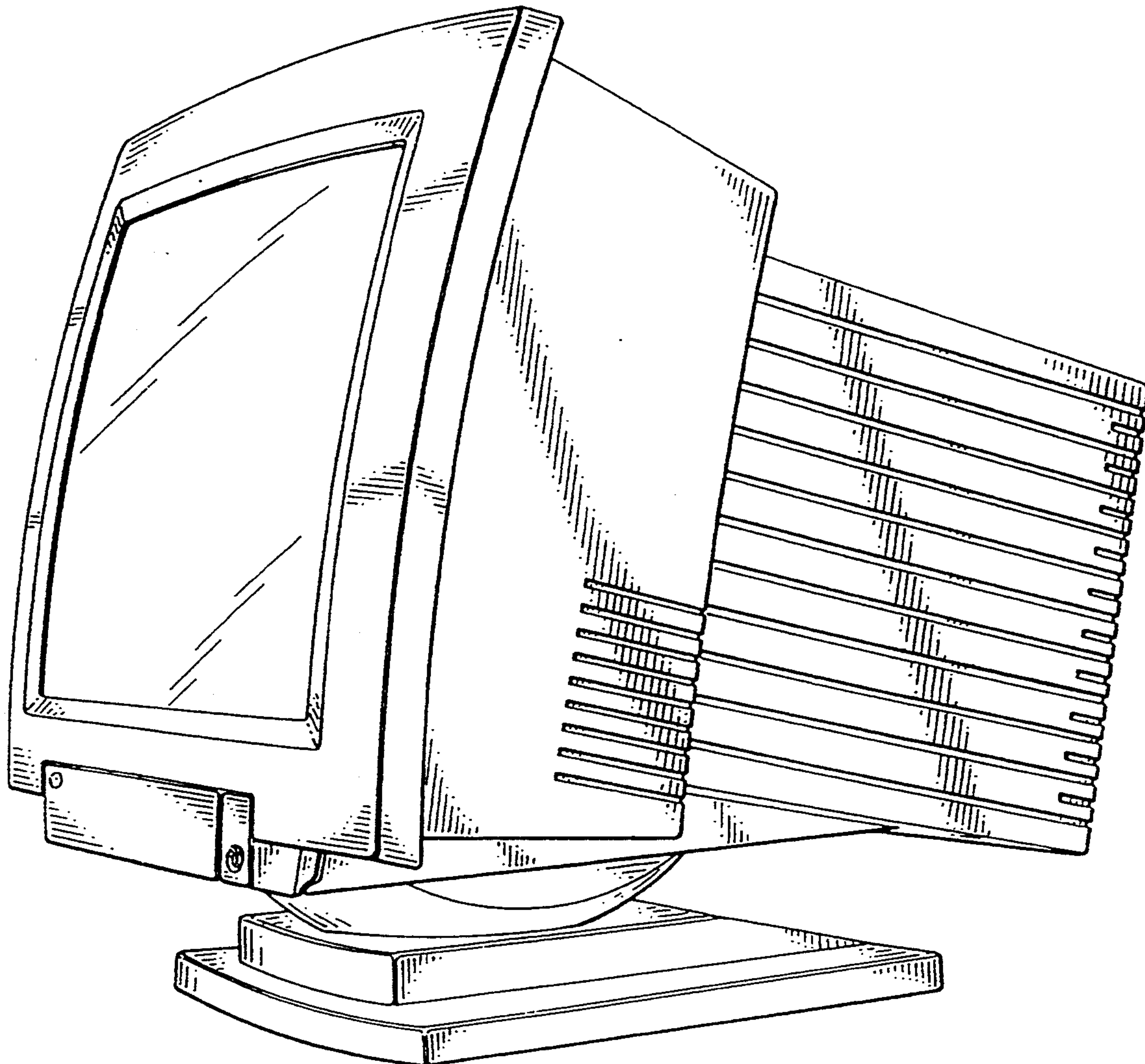
Primary Examiner—Freda S. Nunn
Attorney, Agent, or Firm—Haverstock, Medlen & Carroll

[57] **CLAIM**

The ornamental design for a color monitor, as shown and described.

DESCRIPTION

FIG. 1 is a front view of the color monitor showing our new design;
FIG. 2 is a left side view thereof, the right side view being a mirror image;
FIG. 3 is a rear view thereof;
FIG. 4 is a top view thereof; and,
FIG. 5 is an enlarged perspective view thereof.



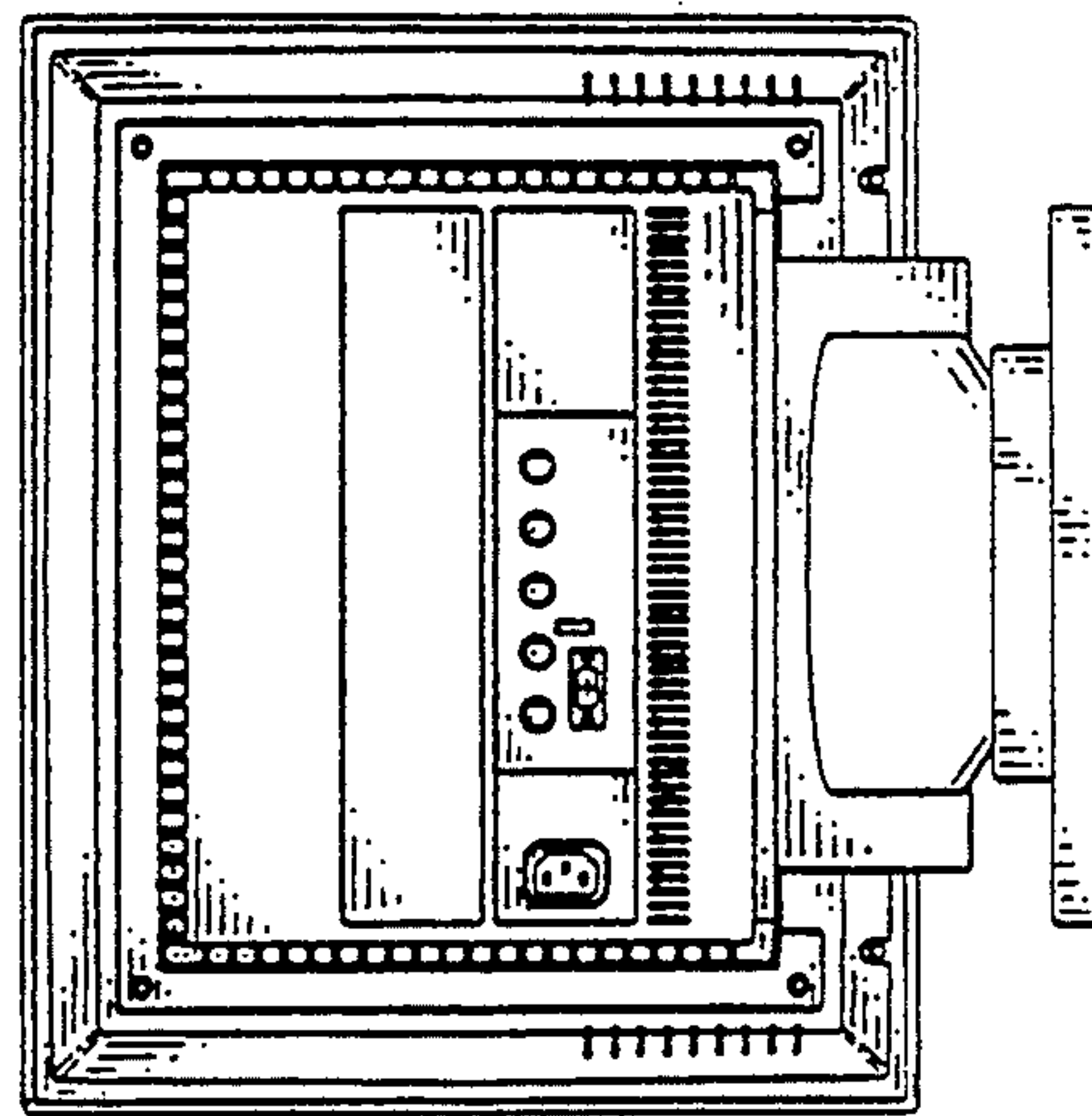


Fig.3

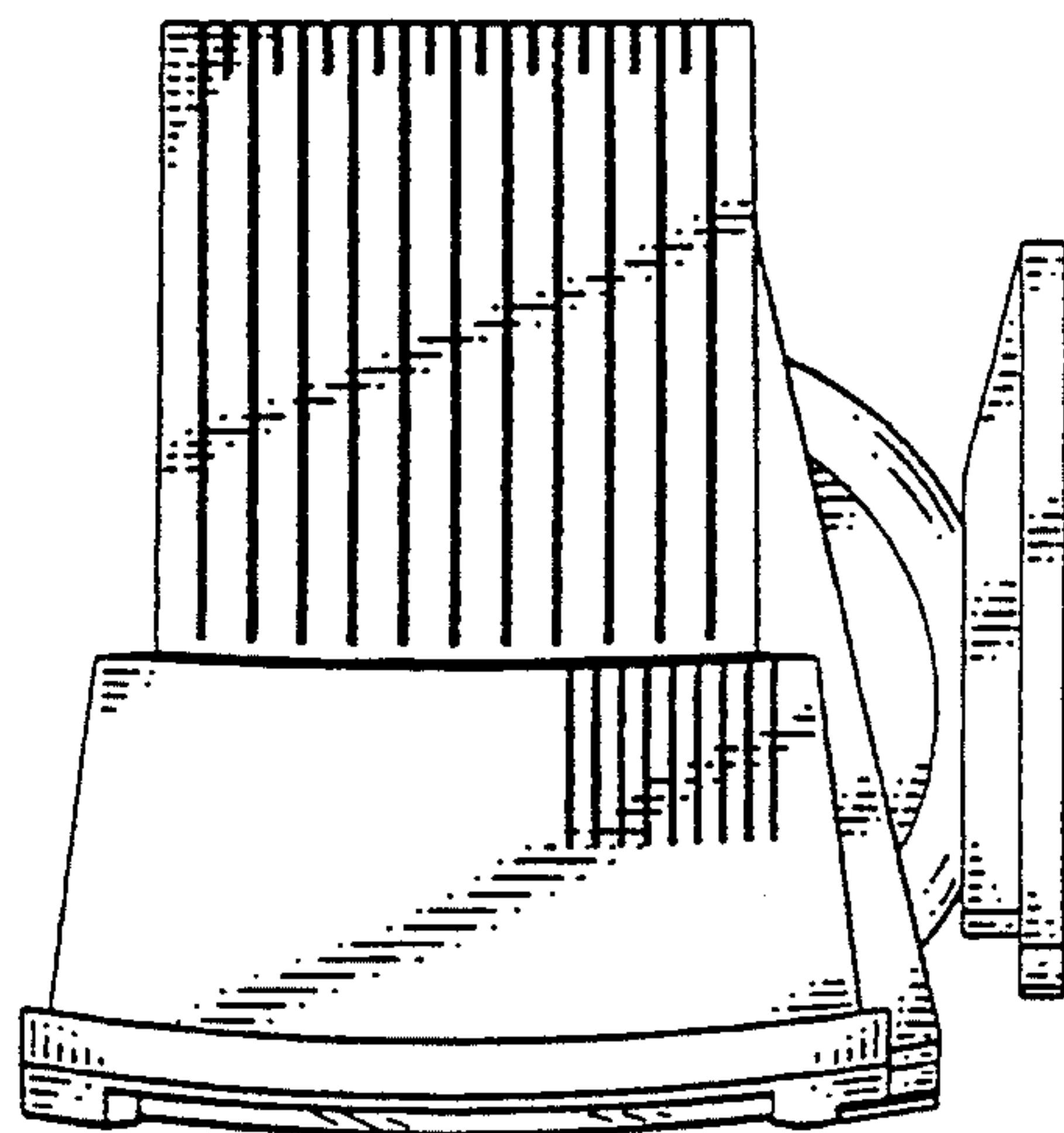


Fig.2

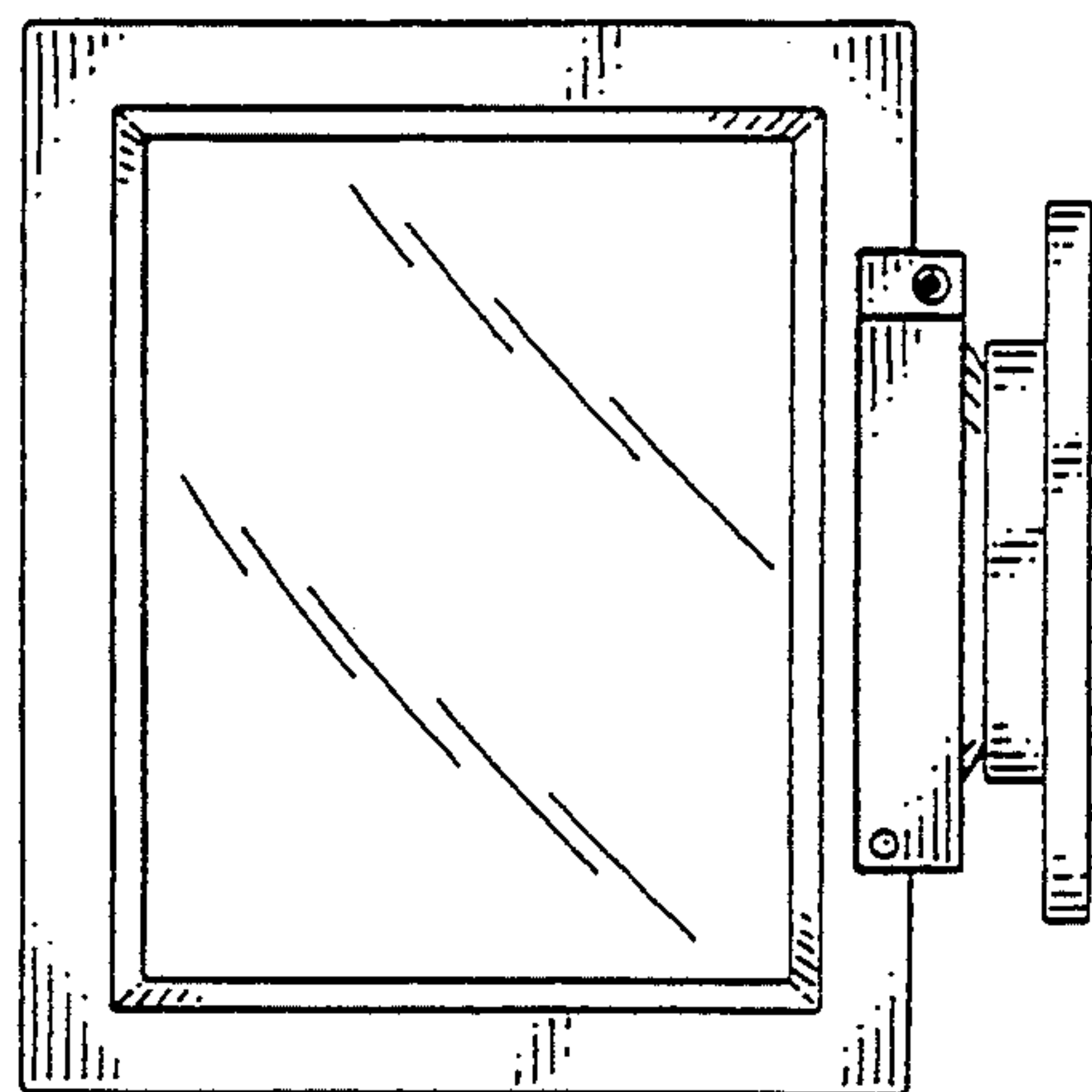


Fig.1

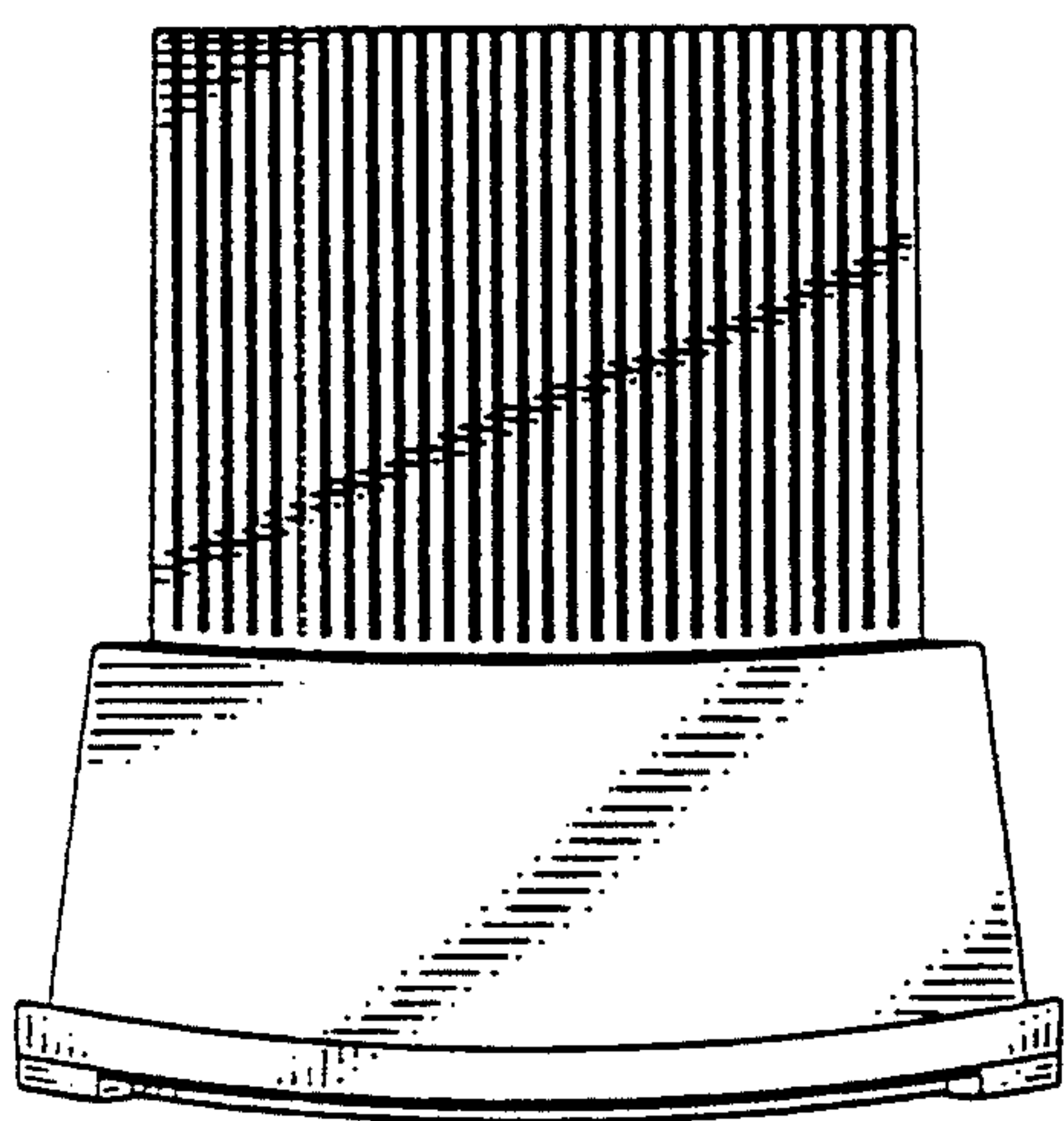


Fig.4

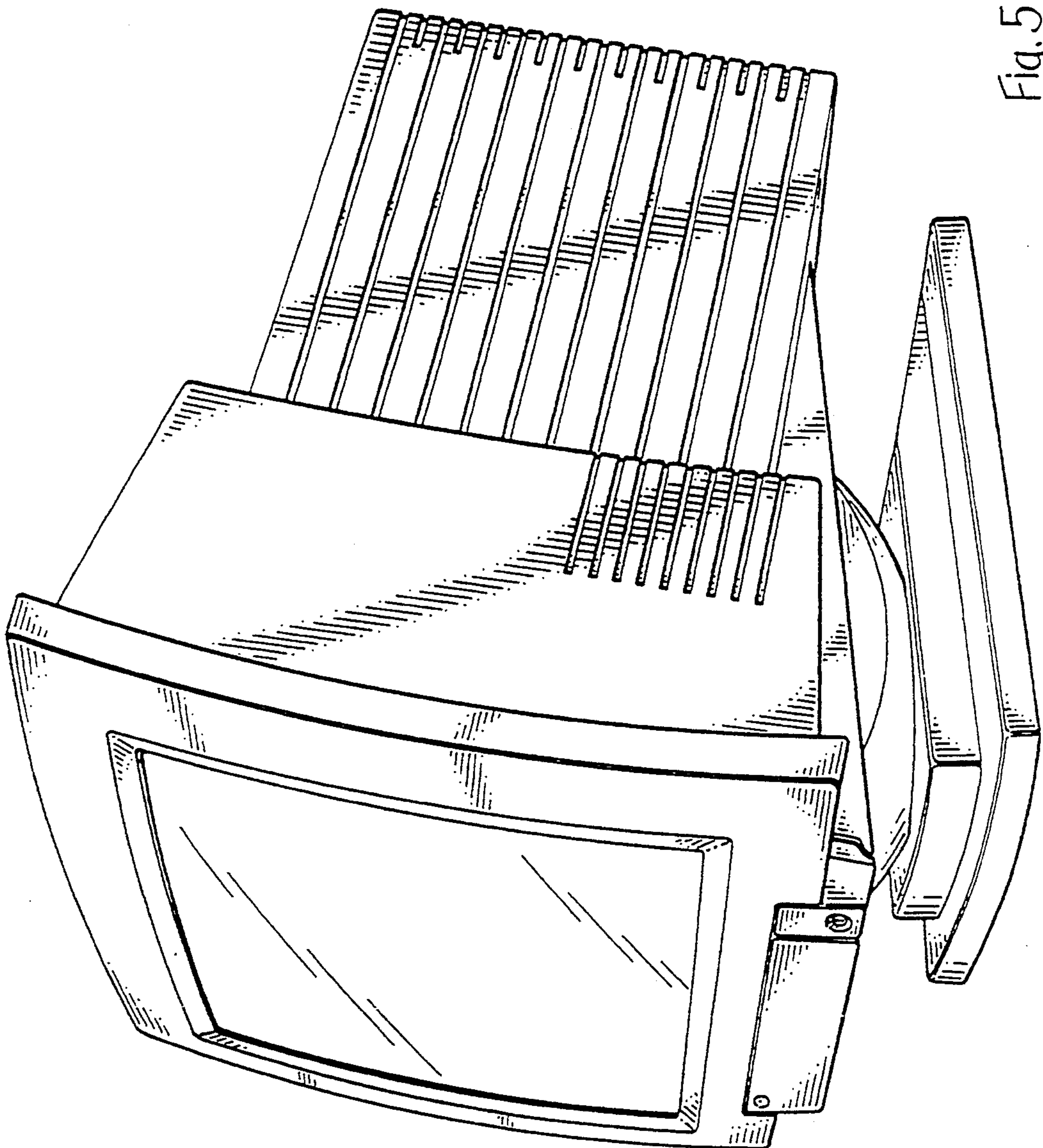


Fig. 5