



US00D356781S

United States Patent [19] Poon

[11] Patent Number: **Des. 356,781**

[45] Date of Patent: **** Mar. 28, 1995**

[54] **ELECTRONIC APPARATUS HOUSING**

[75] Inventor: **Terence T. W. Poon, Tai Po, Hong Kong**

[73] Assignee: **Vtech Industries, Inc., Wheeling, Ill.**

[**] Term: **14 Years**

[21] Appl. No.: **15,227**

[22] Filed: **Nov. 10, 1993**

[52] U.S. Cl. **D14/106; D19/60**

[58] Field of Search **D14/100, 101, 106, 113, D14/115, 124-127, 129; D18/1, 7, 11, 12, 2; D19/60, 62, 59; 235/145 A, 145 R; 345/104, 156, 168, 173, 901-905, 87; 361/679-686; 364/708.1, 709.04, 709.12**

[56] **References Cited**

U.S. PATENT DOCUMENTS

- D. 330,048 10/1992 Cheung et al. D19/60
- D. 334,738 4/1993 Kim D14/106
- D. 336,915 6/1993 Chen D18/7

D. 349,299 8/1994 Fok D19/60

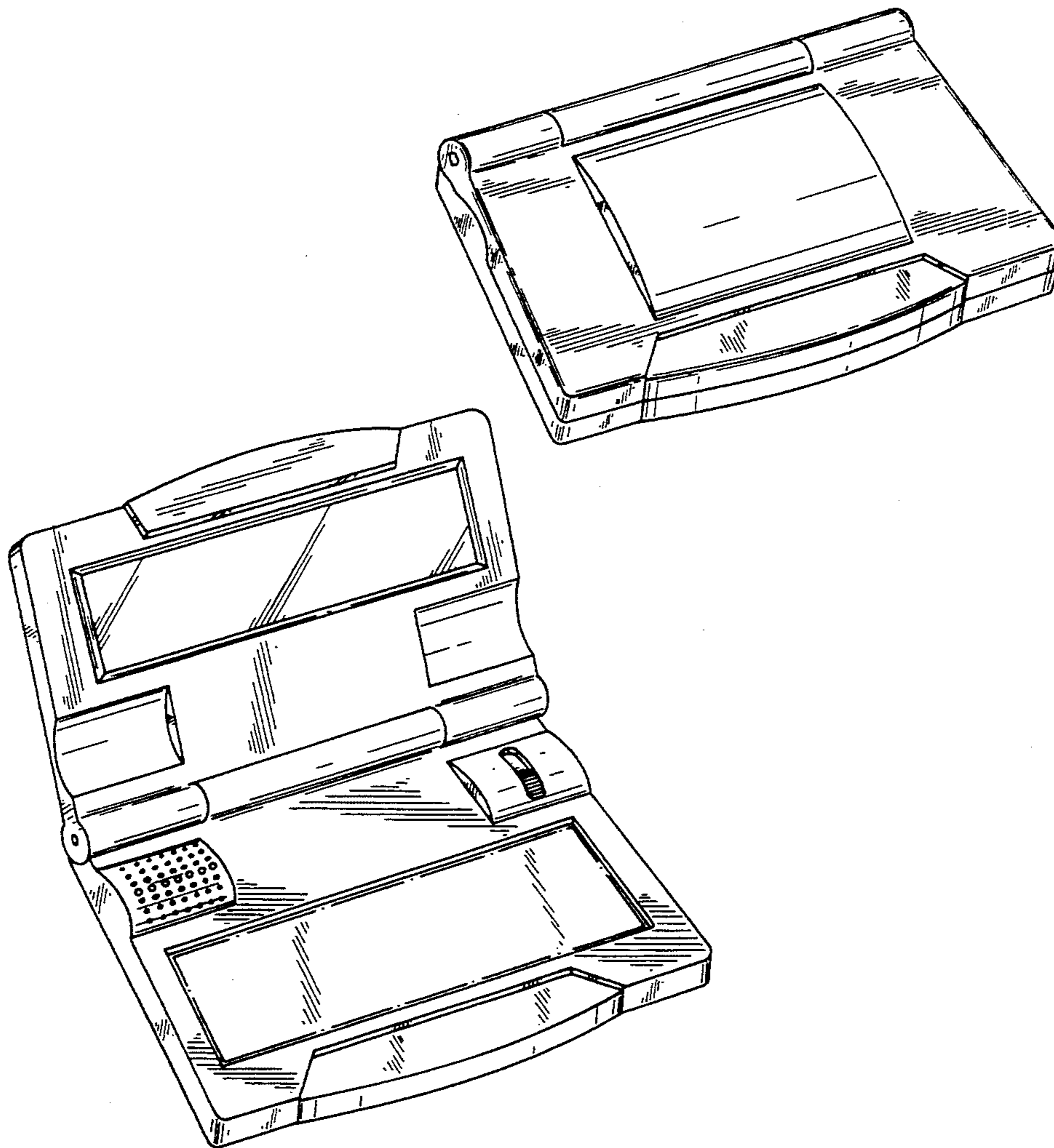
Primary Examiner—Freda S. Nunn
Attorney, Agent, or Firm—Dick and Harris

[57] **CLAIM**

The ornamental design for an electronic apparatus housing, as shown and described.

DESCRIPTION

FIG. 1 is a top perspective view closed of the electronic apparatus housing, showing my new design;
 FIG. 2 is a top perspective view open thereof the broken lines being shown for illustrative purposes only and form no part of the claimed design;
 FIG. 3 is a left side elevation view closed thereof on an enlarged scale;
 FIG. 4 is a top plan view closed thereof;
 FIG. 5 is a front elevation thereof;
 FIG. 6 is a rear elevation thereof;
 FIG. 7 is a bottom view thereof; and,
 FIG. 8 is a left side elevation view open thereof.
 The right side of the design is a mirror-image of the left side.



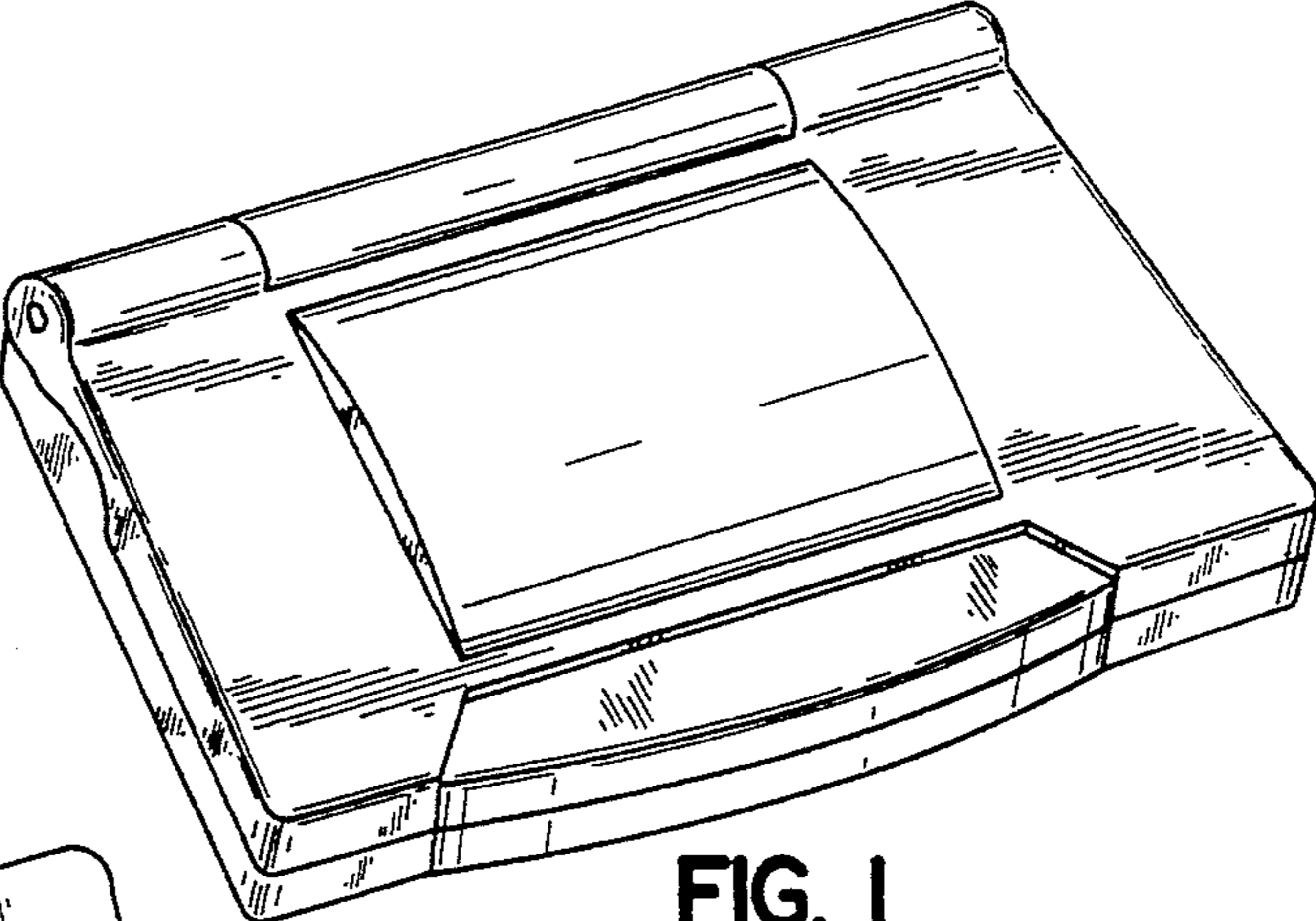


FIG. 1

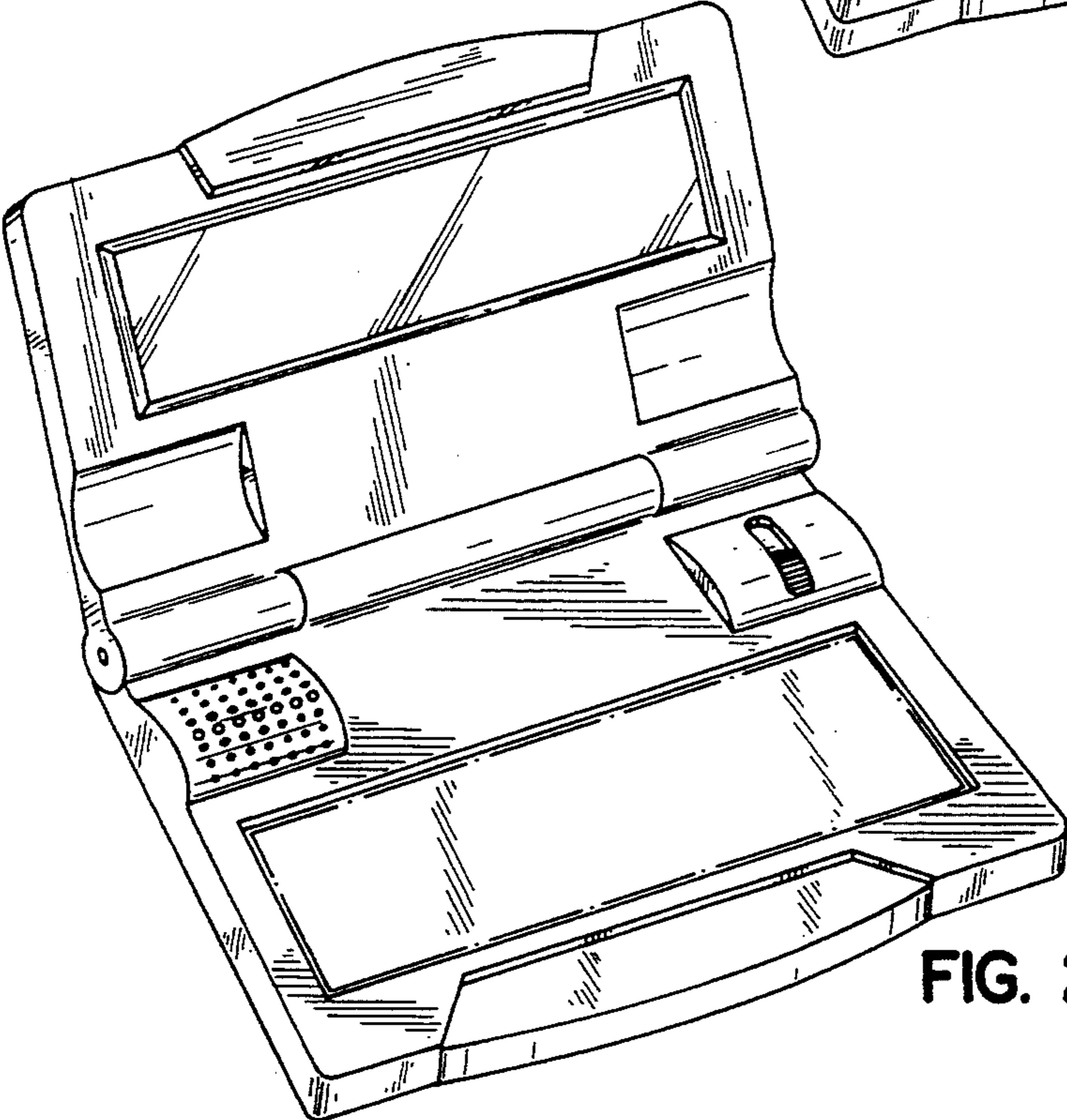


FIG. 2

FIG. 3

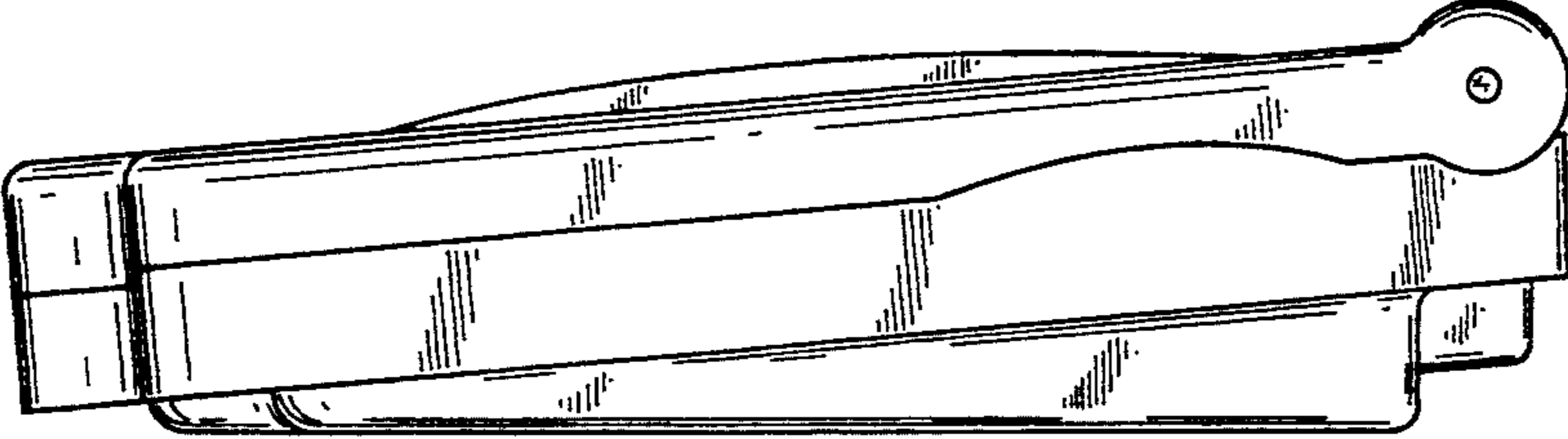


FIG. 4

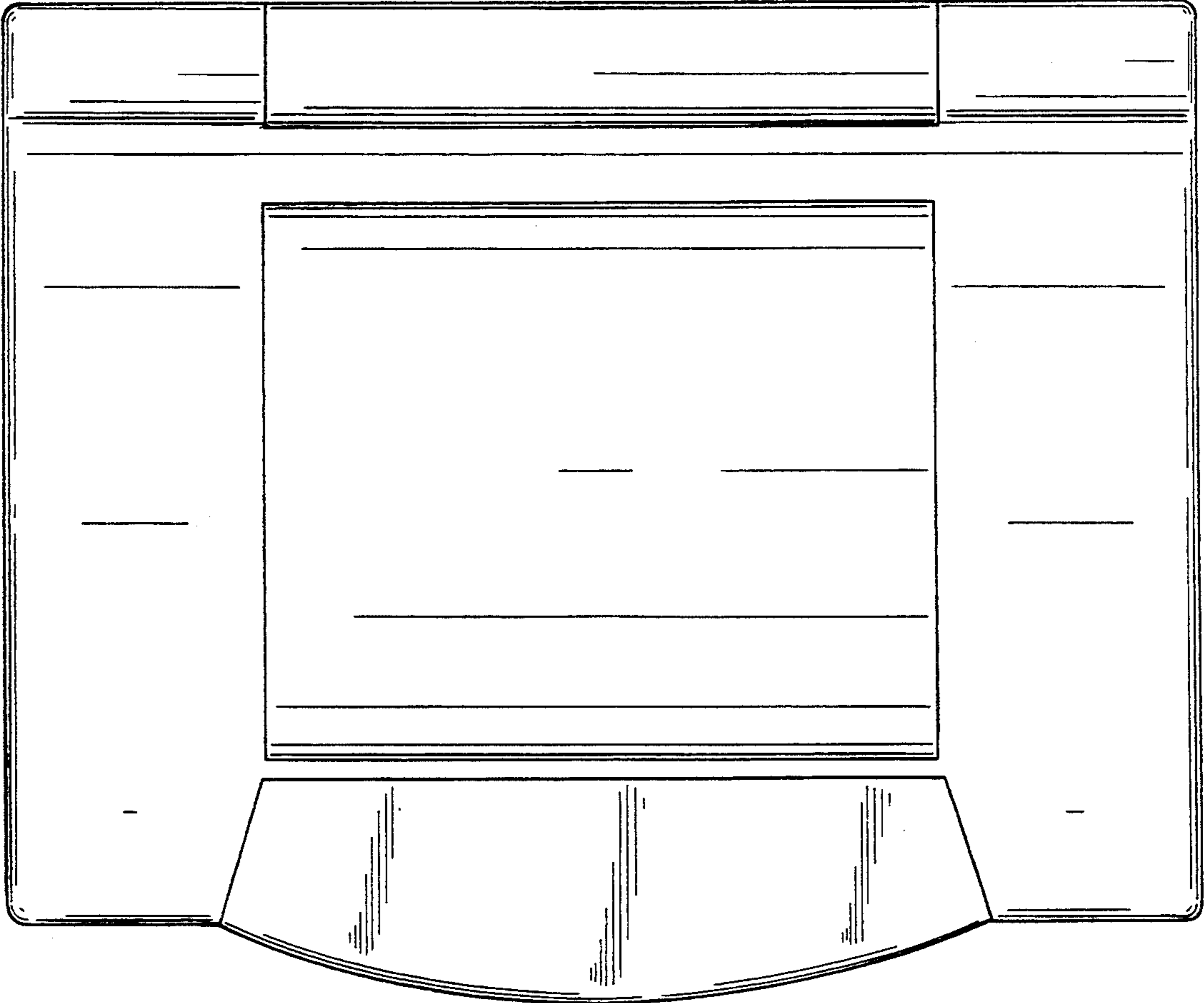


FIG. 5

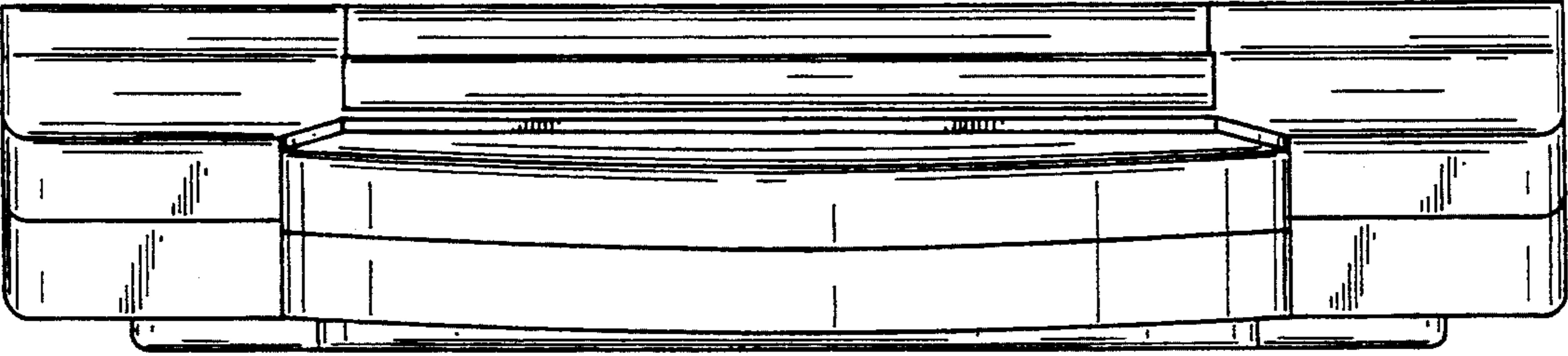
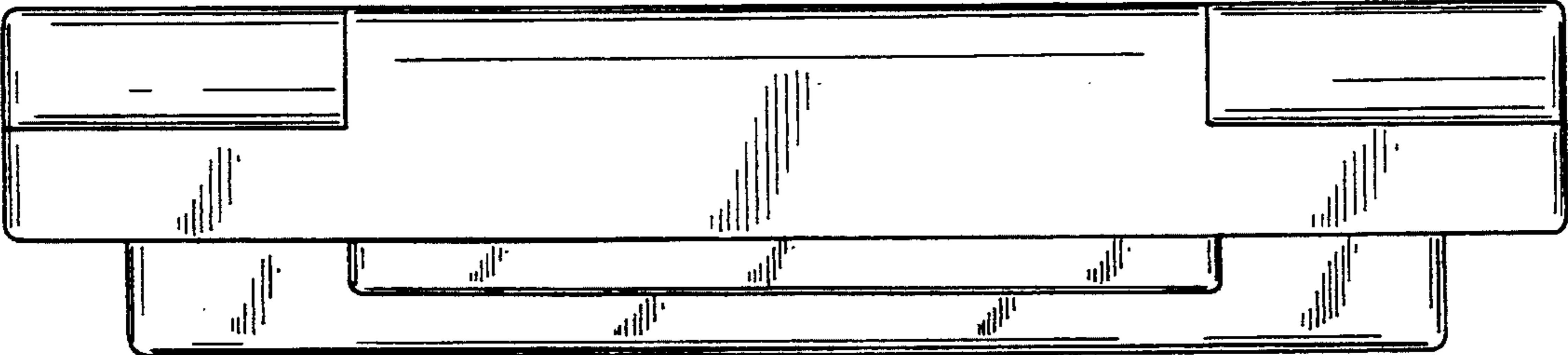


FIG. 6



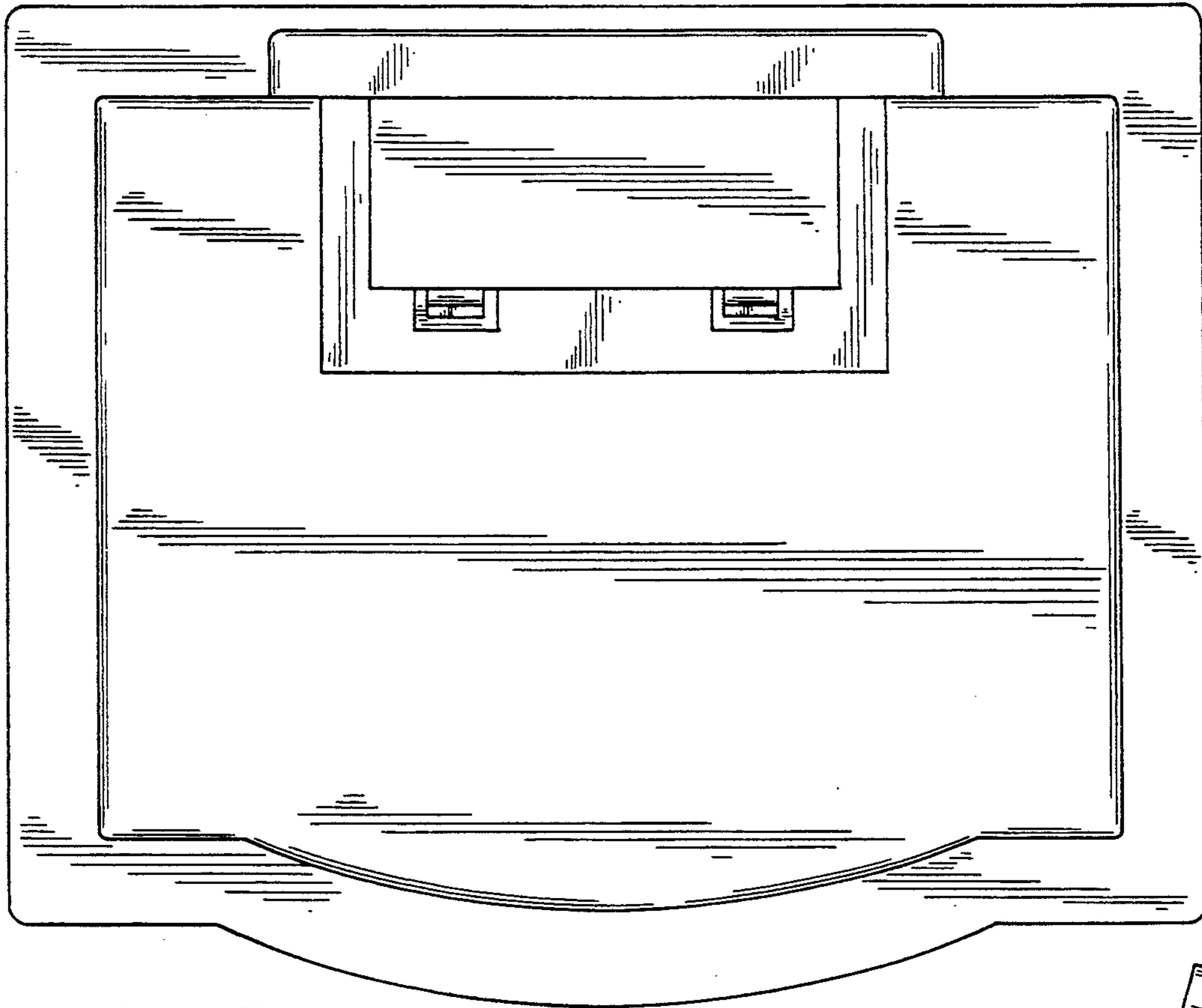


FIG. 7

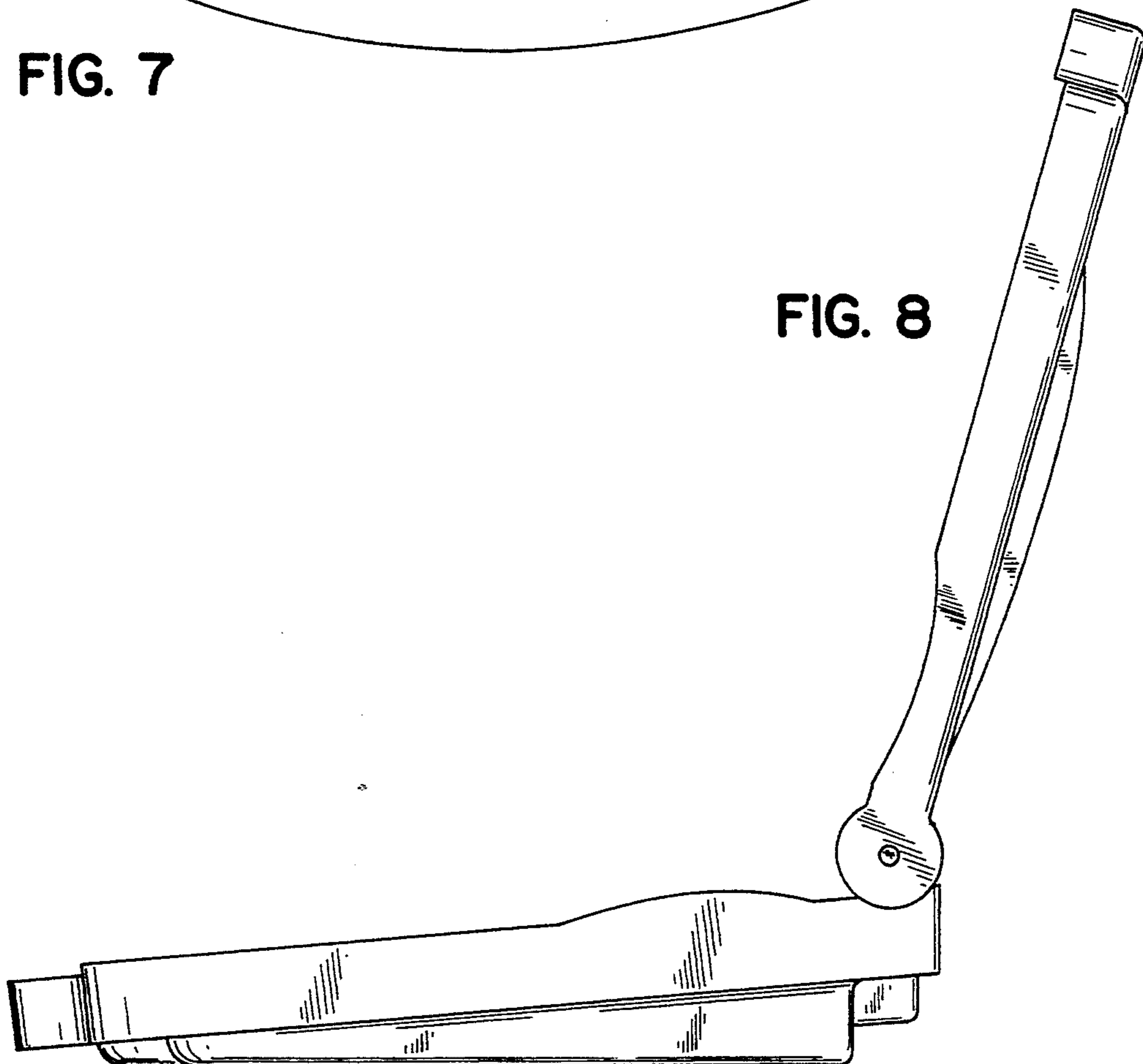


FIG. 8