



US00D356779S

United States Patent [19] Ohashi

[11] Patent Number: **Des. 356,779**

[45] Date of Patent: **** Mar. 28, 1995**

[54] **TAPE MOUNTED LUG TERMINAL PACKAGE**

[75] Inventor: **Koji Ohashi, Kawagoe, Japan**

[73] Assignee: **Kyoshin Kogyo Co., Ltd., Tokyo, Japan**

[**] Term: **14 Years**

[21] Appl. No.: **937,663**

[22] Filed: **Sep. 1, 1992**

[30] **Foreign Application Priority Data**

Jul. 6, 1992 [JP]	Japan	4-20252
Jul. 6, 1992 [JP]	Japan	4-20253
Jul. 6, 1992 [JP]	Japan	4-20254

[52] U.S. Cl. **D13/199**

[58] Field of Search D13/133, 148, 154; D9/499, 457; 206/330; 439/730, 885; 174/52.2

[56] **References Cited**

U.S. PATENT DOCUMENTS

D. 257,716	12/1980	Masujima	D13/199
3,288,915	11/1966	Hatfield et al.	D13/133 X
3,864,008	2/1975	Bakermans et al.	D13/154 X
4,037,915	7/1977	Cabaud	439/885 X
5,044,071	9/1991	Toda et al.	174/52.2 X
5,060,372	10/1991	Capp et al.	439/885 X

FOREIGN PATENT DOCUMENTS

3107497	1/1983	Germany	206/330
---------	--------	---------------	---------

OTHER PUBLICATIONS

TEC lug stampings on p. 191 of *Design News*, May 22, 1989.

Primary Examiner—Joel Sincavage

[57] **CLAIM**

The ornamental design for a tape mounted lug terminal package, as shown and described.

DESCRIPTION

FIG. 1 is a front, bottom, and left side perspective view of the tape mounted lug terminal package as a first embodiment showing my new design, dotted chain lines shown in the figure illustrating a state just before a adhesive tape is attached with interposing lug terminals to a paper tape;

FIG. 2 is a front elevational view thereof;

FIG. 3 is a rear elevational view thereof;

FIG. 4 is a right side elevational view thereof, the left side elevational view being a mirror image;

FIG. 5 is a sectional view thereof, taken along line 5—5 in FIG. 2;

FIG. 6 is a top plan view thereof;

FIG. 7 is a bottom plan view thereof;

FIG. 8 is an enlarged sectional view thereof, taken along line 8—8 in FIG. 2;

FIG. 9 is an enlarged sectional view thereof, taken along line 9—9 in FIG. 2;

FIG. 10 is an enlarged sectional view thereof, taken along line 10—10 in FIG. 2;

FIG. 11 is an enlarged sectional view thereof, taken along line 11—11 in FIG. 2;

FIG. 12 is a front, bottom, and side perspective view of a second modified embodiment of a tape mounted lug terminal package showing my new design; and,

FIG. 13 is a front, bottom, and left side perspective view of a third modified embodiment of a tape mounted lug terminal package showing my new design.

In other respects than shown in FIG. 12, the second embodiment of my new design corresponds to said first embodiment.

In other respects than shown in FIG. 13, the third embodiment of my new design corresponds to said first embodiment.

The dotted chain lines shown in FIG. 1 for illustrative purposes only and form no part of the claimed design.

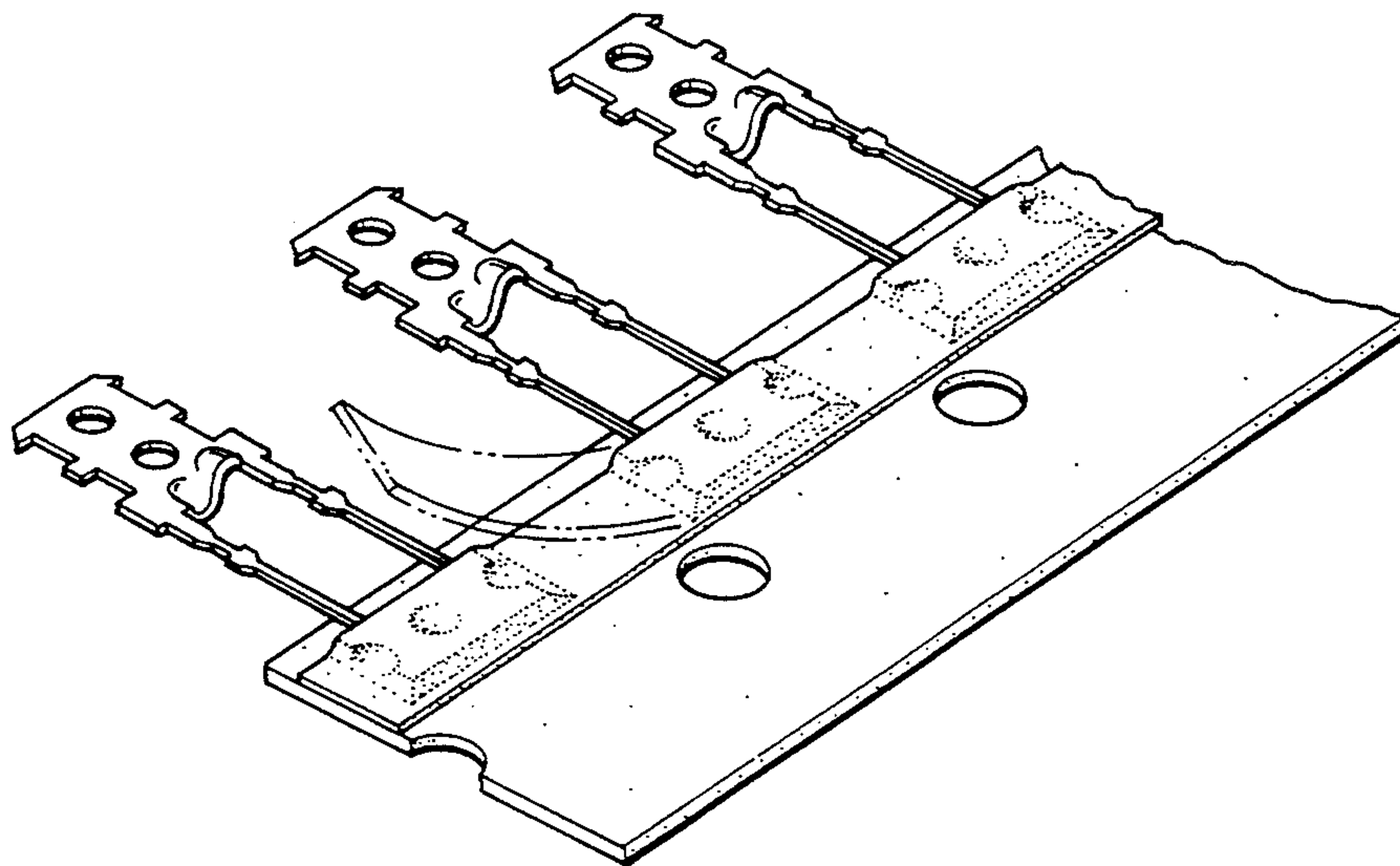


FIG. 1

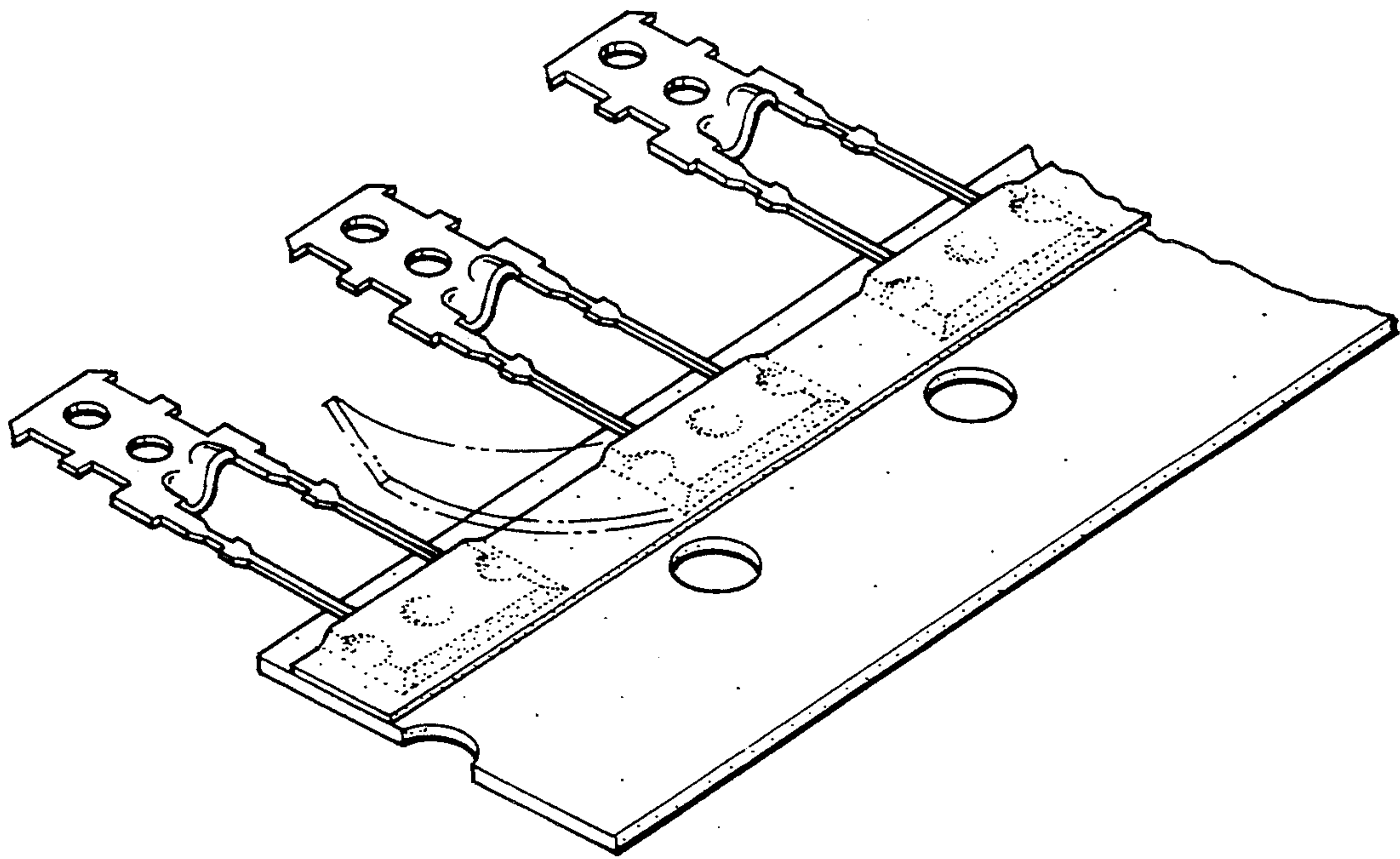


FIG. 2

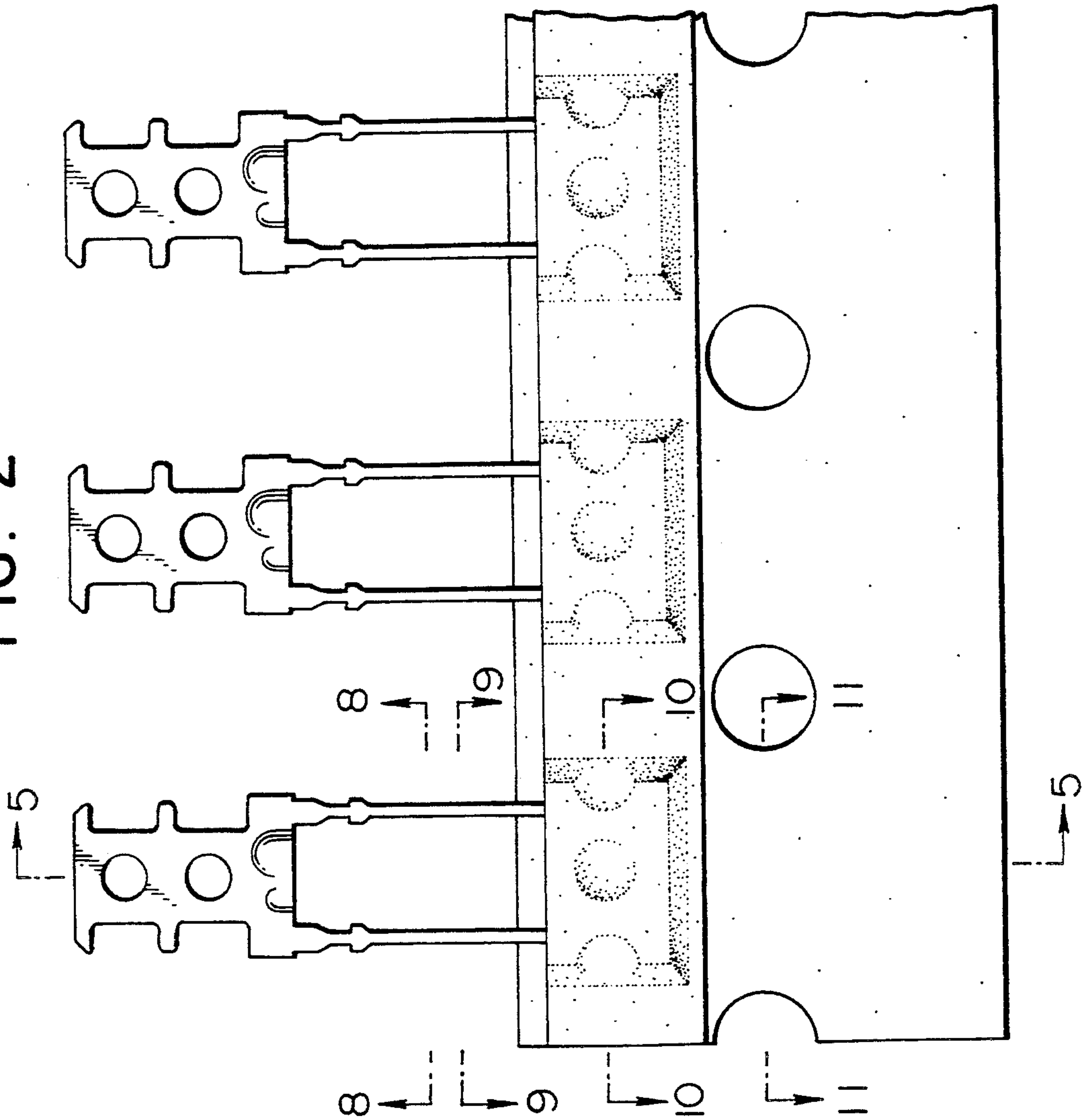


FIG. 3

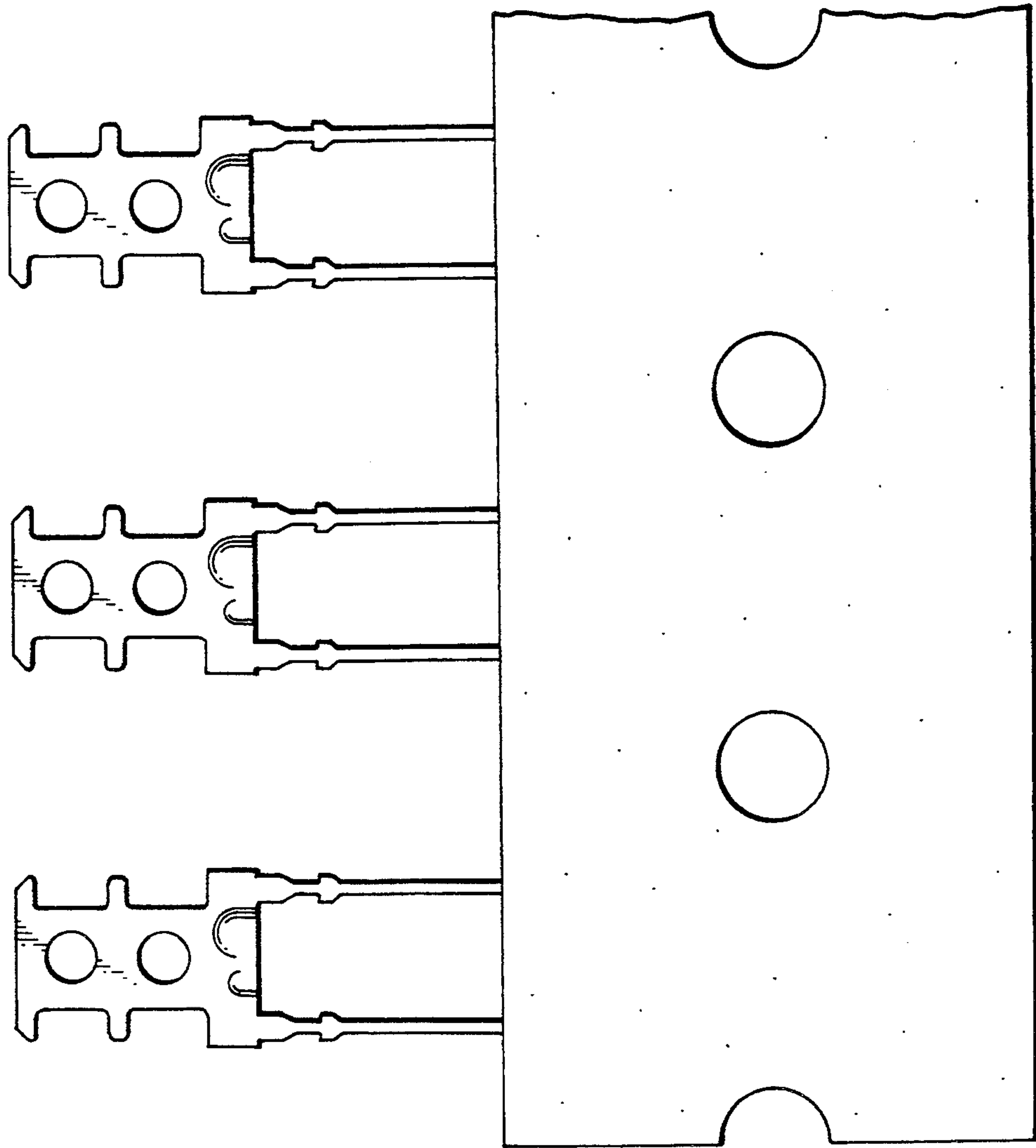


FIG. 4

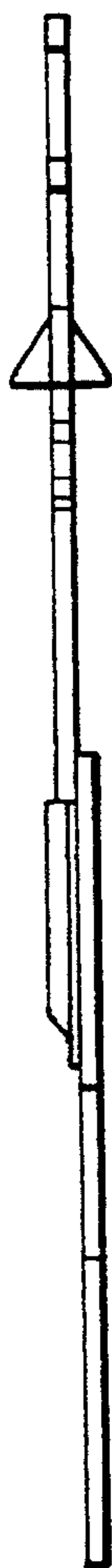


FIG. 5



FIG. 6



FIG. 7

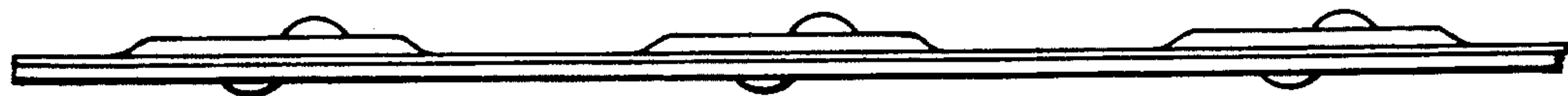


FIG. 8



FIG. 9

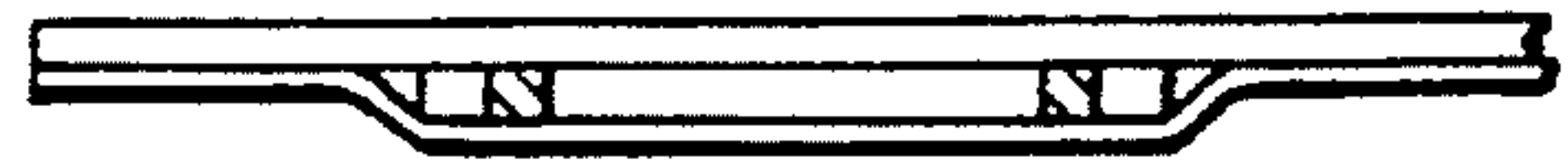


FIG. 10



FIG. 11



FIG. 12

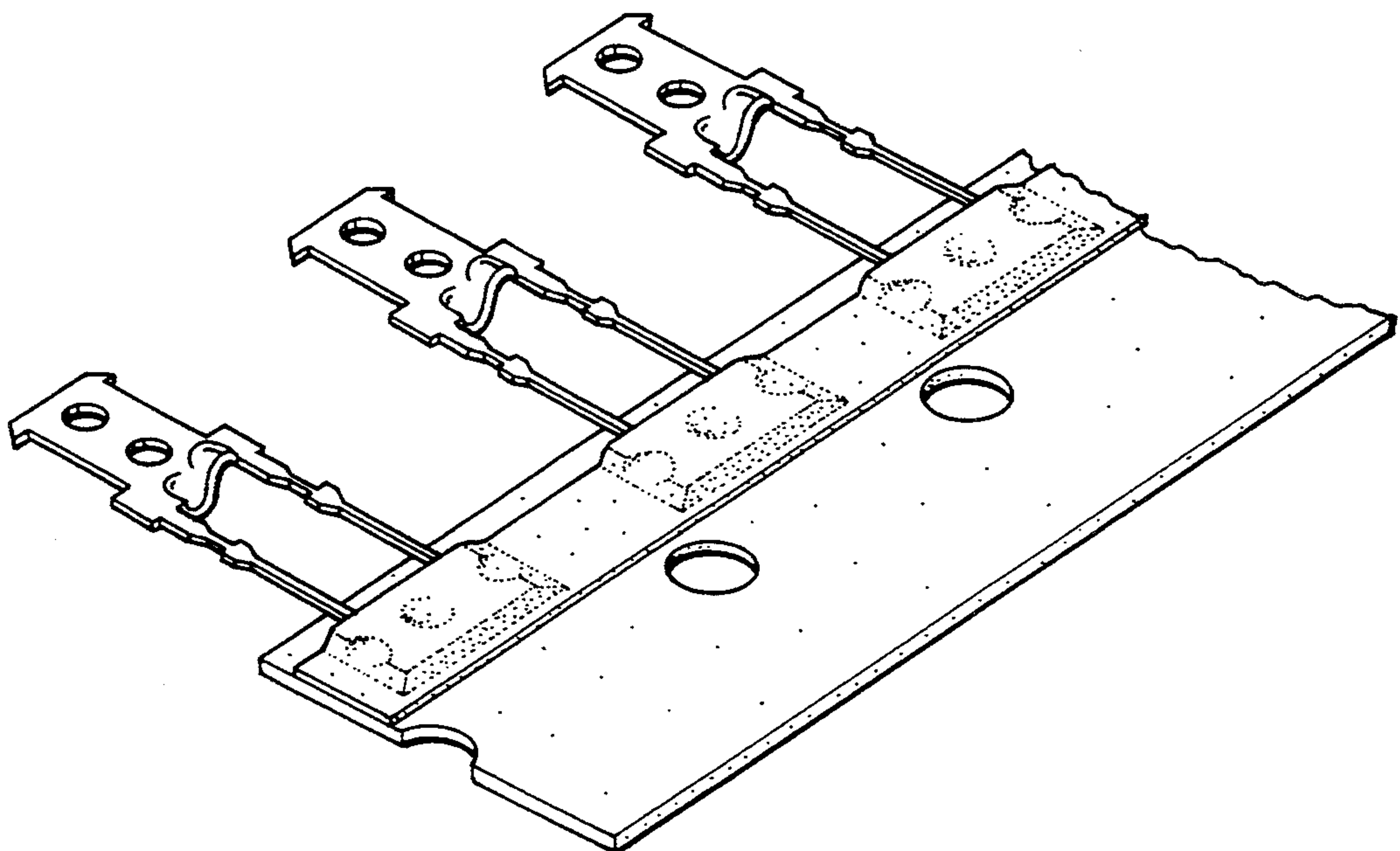


FIG. 13

