



US00D356777S

United States Patent [19]

[11] Patent Number: **Des. 356,777**

Katsui et al.

[45] Date of Patent: ** Mar. 28, 1995

[54] **COMBINED HEAT SINK AND FAN**

5,208,731	5/1993	Blomquist	174/16.3 X
5,276,585	1/1994	Smithers	361/704
5,287,249	2/1994	Chen	257/719 X
5,297,617	3/1994	Herbert	165/80.3
5,309,983	5/1994	Bailey	165/185 X
5,335,722	8/1994	Wu	257/722 X

[75] Inventors: **Tadashi Katsui; Katsuhiko Nakata,**
both of Kawasaki; **Takashi Kitahara,**
Unoke, all of Japan

[73] Assignees: **Fujitsu, Limited, Kawasaki; PFU Limited,**
Ishikawa, both of Japan

[**] Term: **14 Years**

[21] Appl. No.: **13,439**

[22] Filed: **Sep. 24, 1993**

[30] **Foreign Application Priority Data**

Mar. 26, 1993 [JP] Japan 5-8763

[52] U.S. Cl. **D13/179**

[58] Field of Search **D13/179; 165/80.3, 185;**
361/679, 704; 174/16.3; 257/718, 719, 722

[56] **References Cited**

U.S. PATENT DOCUMENTS

D. 203,543	1/1966	Coe	D13/179
4,823,869	4/1989	Arnold et al.	174/16.3 X
4,884,331	12/1989	Hinshaw	361/704 X

Primary Examiner—Joel Sincavage
Attorney, Agent, or Firm—Staas & Halsey

[57] **CLAIM**

The ornamental design for combined heat sink and fan, as shown and described.

DESCRIPTION

FIG. 1 is a top plan view of the combined heat sink and fan showing our design;
FIG. 2 is a left elevational view thereof;
FIG. 3 is a front elevational view thereof;
FIG. 4 is a right side elevational view thereof;
FIG. 5 is a rear elevational view thereof;
FIG. 6 is a perspective view thereof;
FIG. 7 is a bottom plan view thereof, and,
FIG. 8 is an exploded perspective thereof without the screws.

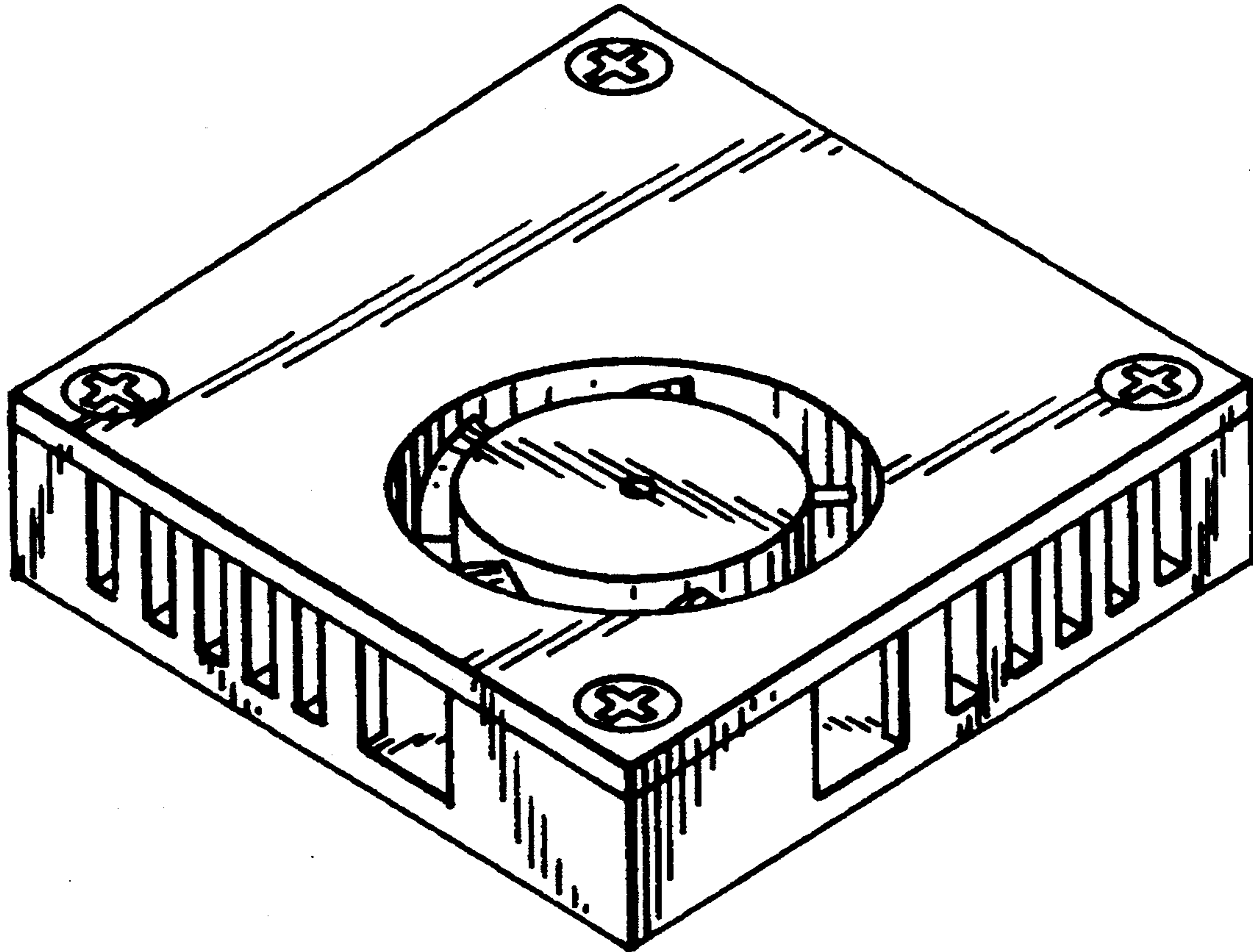


FIG. 1



FIG. 2

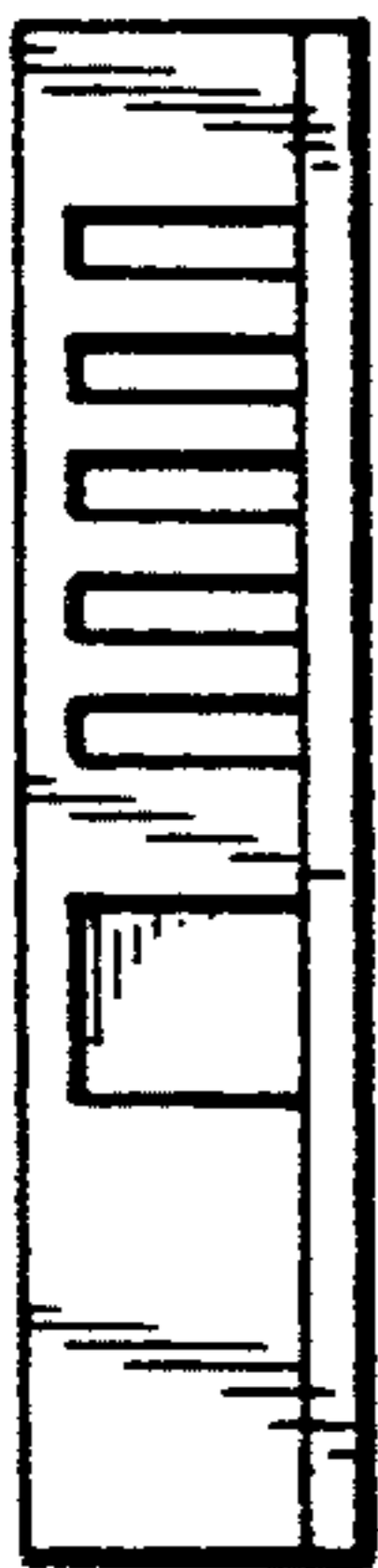


FIG. 3

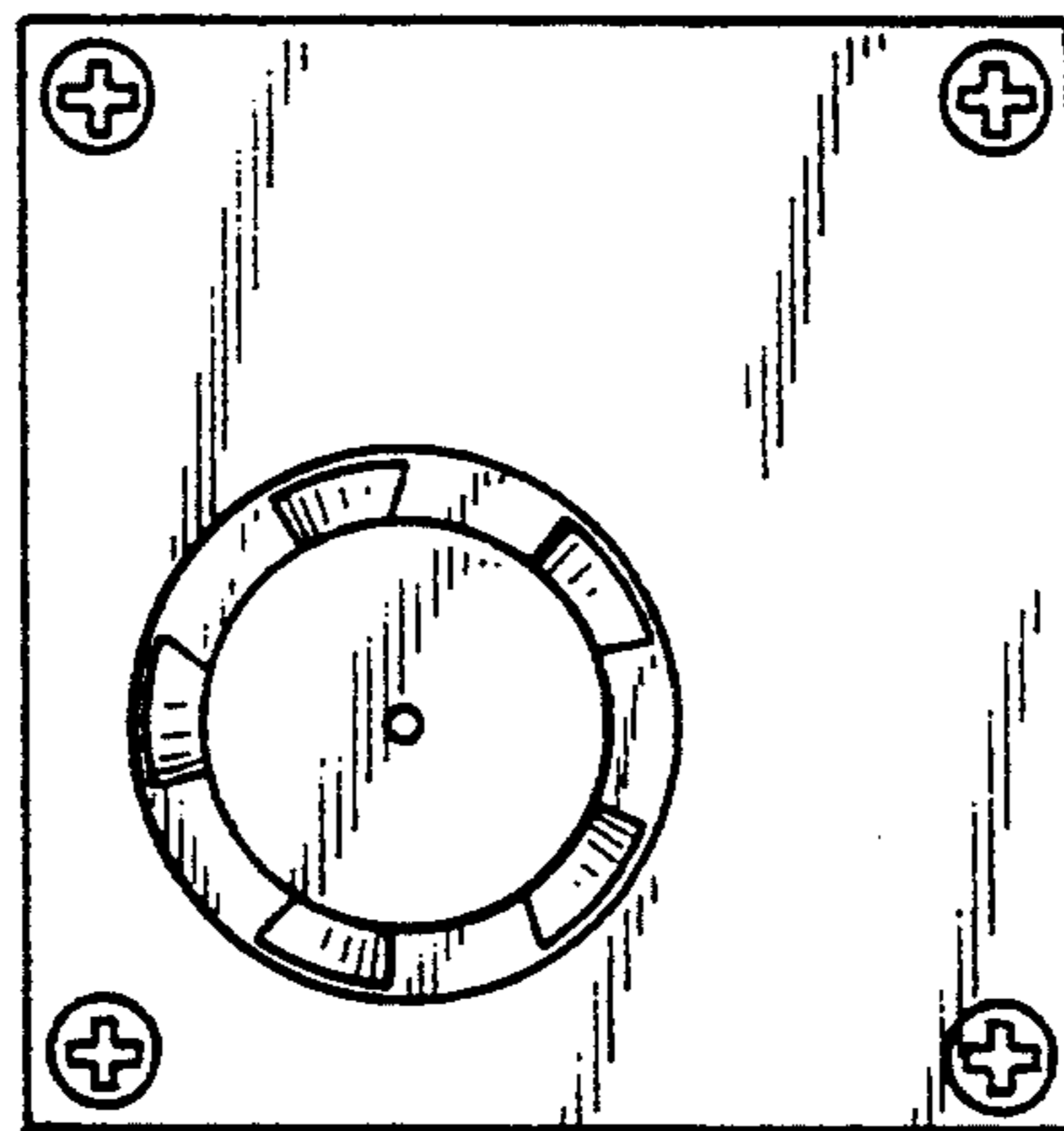


FIG. 4



FIG. 7



FIG. 5

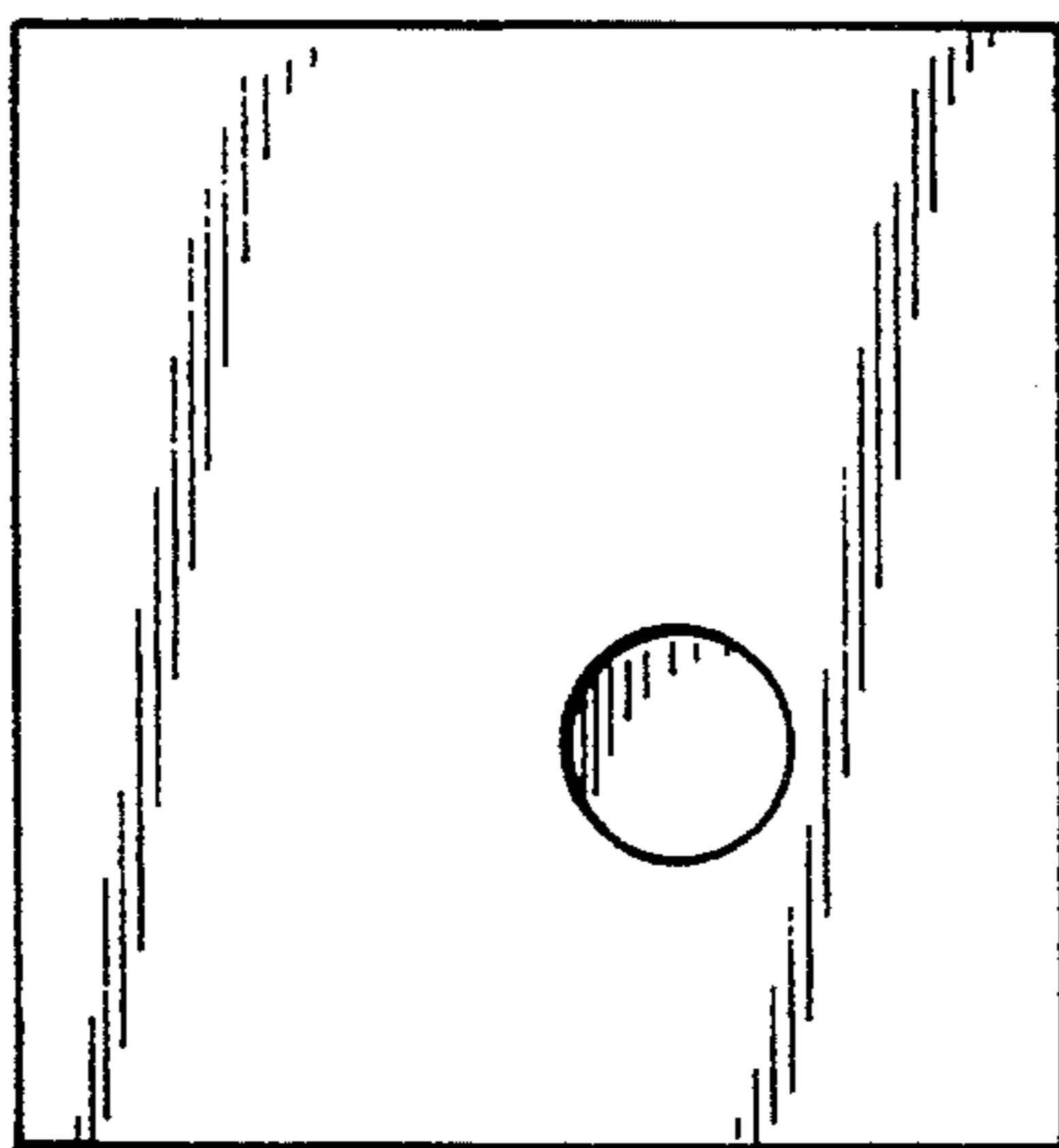


FIG. 8

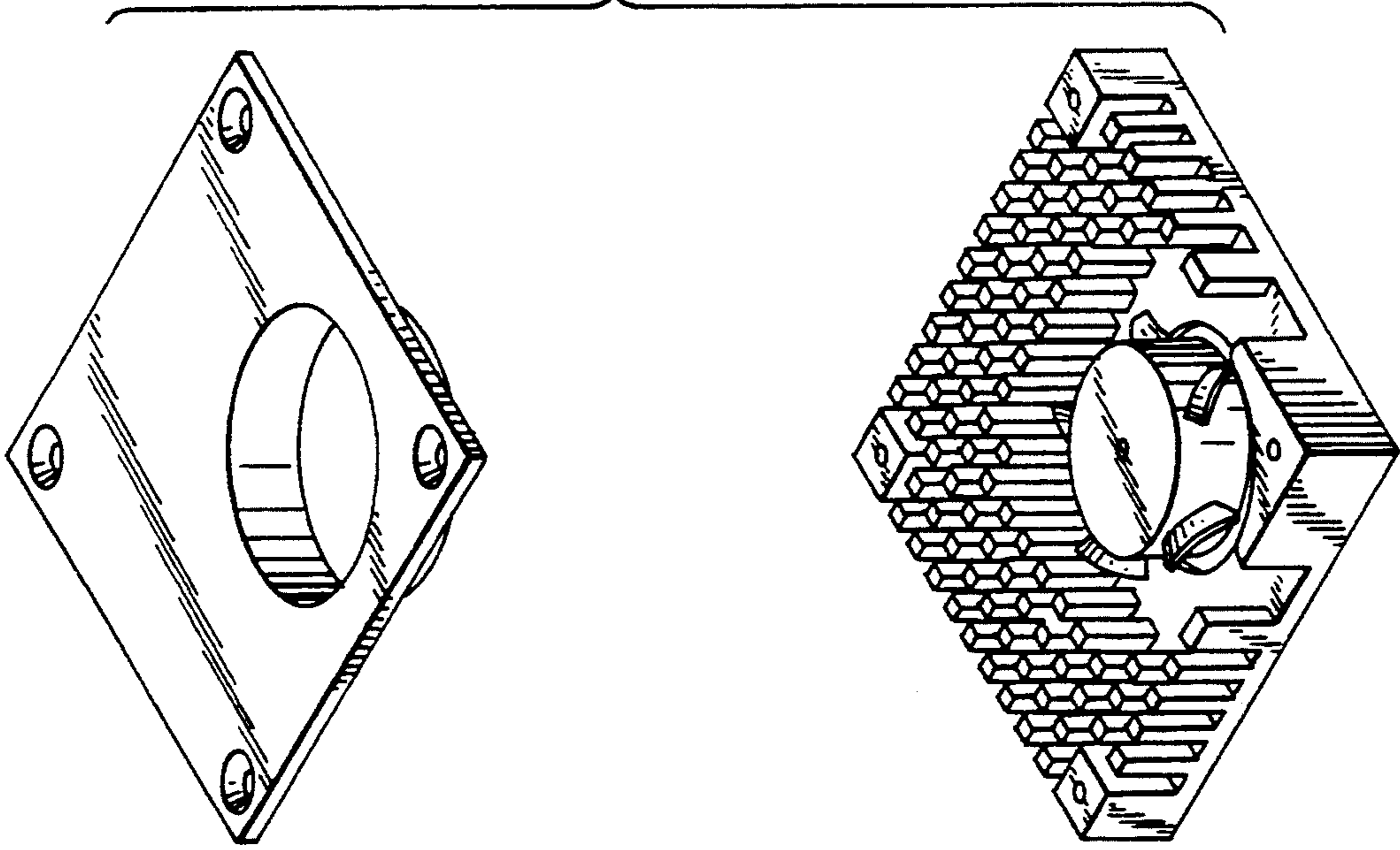


FIG. 6

