



US00D356776S

United States Patent [19]
Yoshii

[11] **Patent Number: Des. 356,776**

[45] **Date of Patent: ** Mar. 28, 1995**

[54] **RECHARGEABLE BATTERY**

[75] Inventor: **Hideaki Yoshii**, Tokyo, Japan
[73] Assignee: **Sony Corporation**, Tokyo, Japan
[**] Term: **14 Years**
[21] Appl. No.: **4,405**
[22] Filed: **Feb. 4, 1993**

[30] **Foreign Application Priority Data**

Sep. 2, 1992 [JP] Japan 4-26013
[52] **U.S. Cl.** **D13/103**
[58] **Field of Search** D13/103; 429/7, 96,
429/97, 99, 100, 123, 163; 320/2

[56] **References Cited**

U.S. PATENT DOCUMENTS

D. 305,639 1/1990 Miki et al. D13/103
4,943,498 7/1990 Cooper et al. 429/100 X
5,259,786 11/1993 Huang 429/100 X

FOREIGN PATENT DOCUMENTS

402095 11/1974 U.S.S.R. 429/99

OTHER PUBLICATIONS

VCR and camcorder bateries on p. 108 of *MCM Electronics* summer 1991 catalog.

Primary Examiner—Joel Sincavage
Attorney, Agent, or Firm—Beveridge, DeGrandi,
Weilacher & Young

[57] **CLAIM**

The ornamental design of a rechargeable battery, as shown and described.

DESCRIPTION

FIG. 1 is a perspective view of the rechargeable battery;
FIG. 2 is a rear view of the rechargeable battery;
FIG. 3 is a front view of the rechargeable battery;
FIG. 4 is a left side view of the rechargeable battery;
FIG. 5 is a right side view of the rechargeable battery;
FIG. 6 is a top plan view of the rechargeable battery;
FIG. 7 is a bottom plan view of the rechargeable battery;
FIG. 8 is a rear perspective view of the rechargeable battery; and,
FIG. 9 is a lower left perspective view of the rechargeable battery.

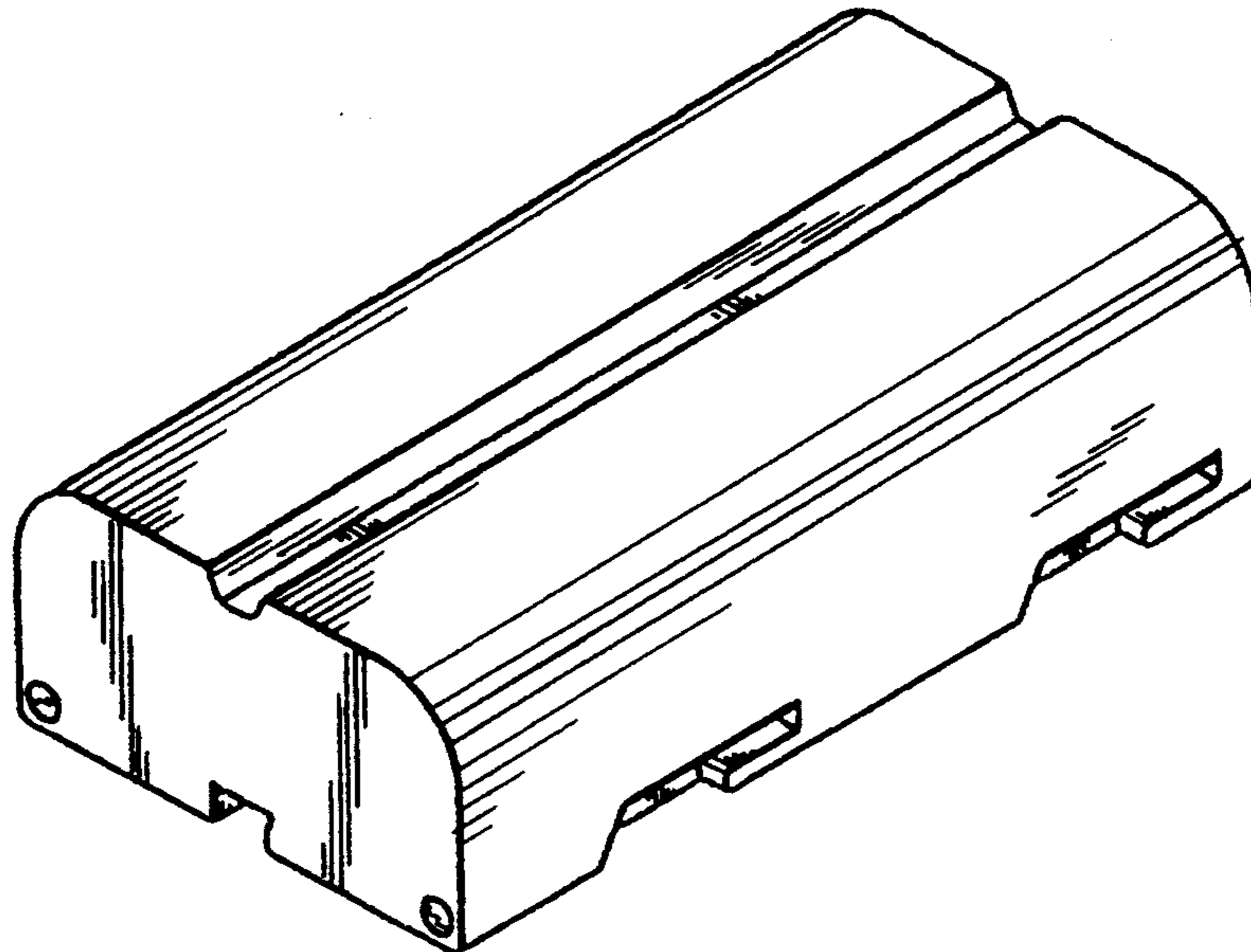


FIG. 1

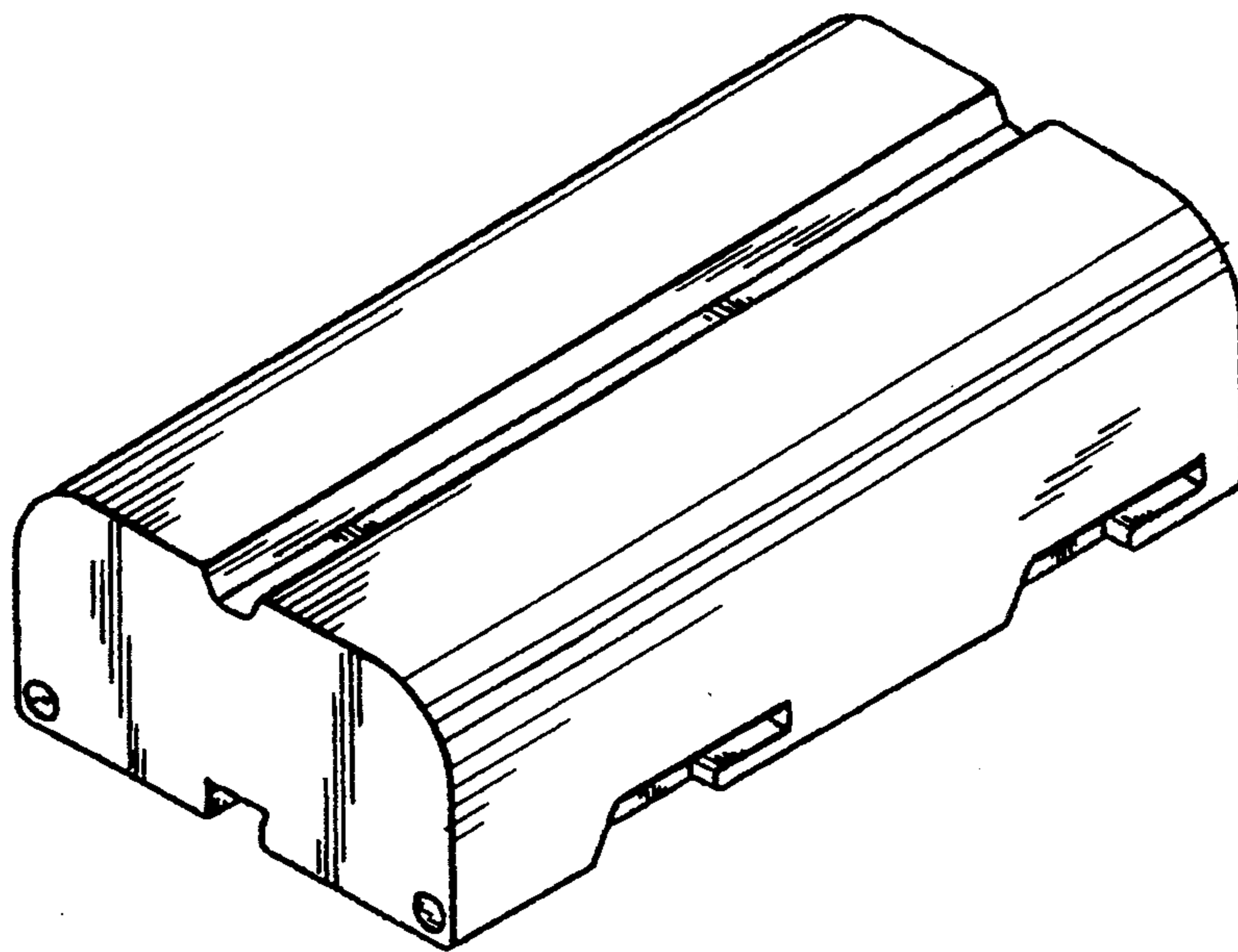


FIG. 2

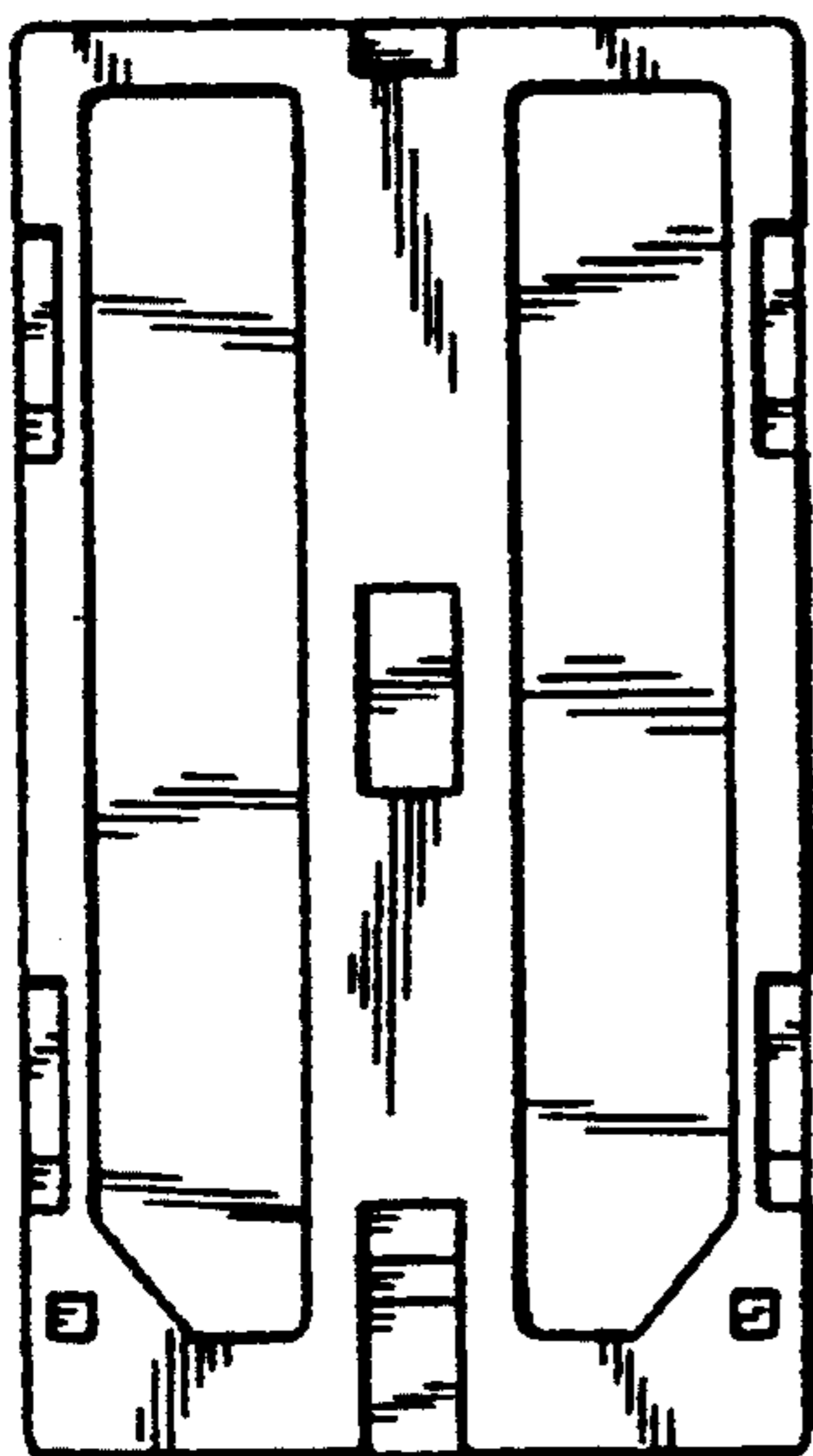


FIG. 3

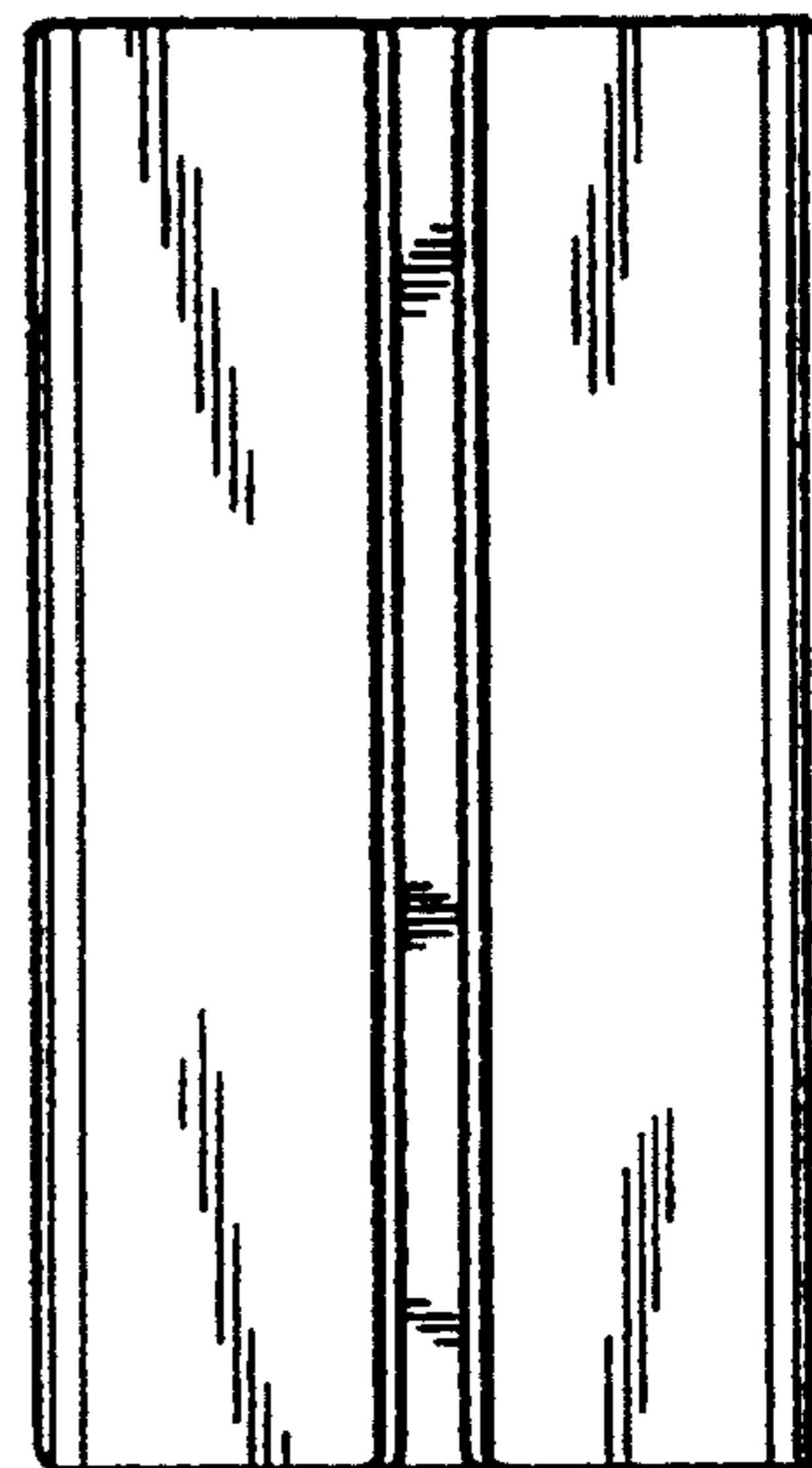


FIG. 4

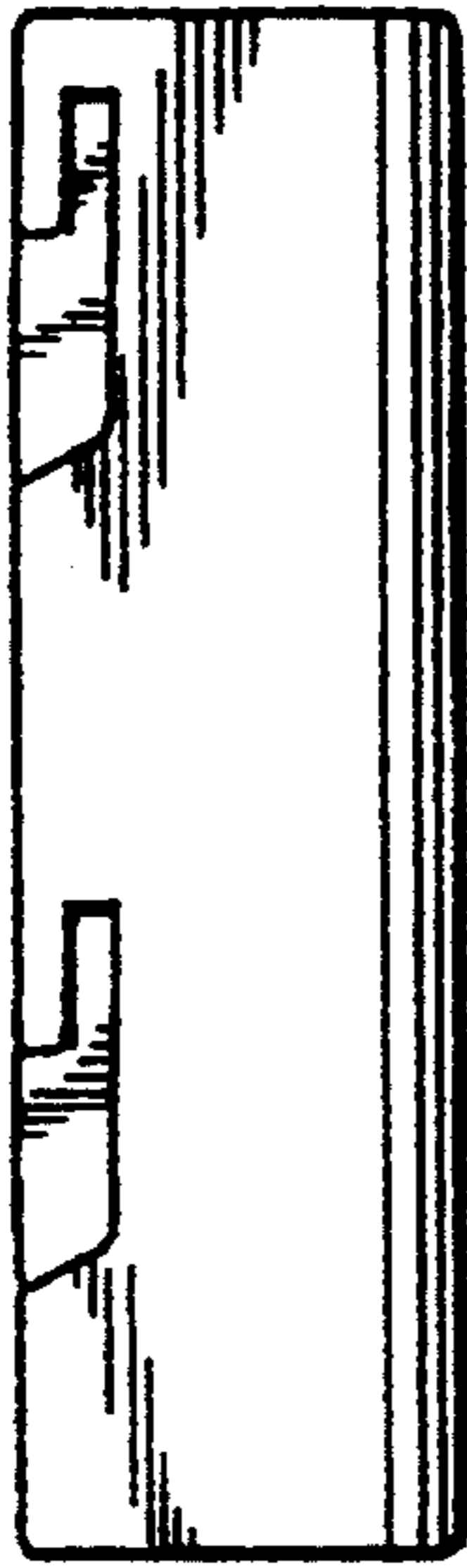


FIG. 5

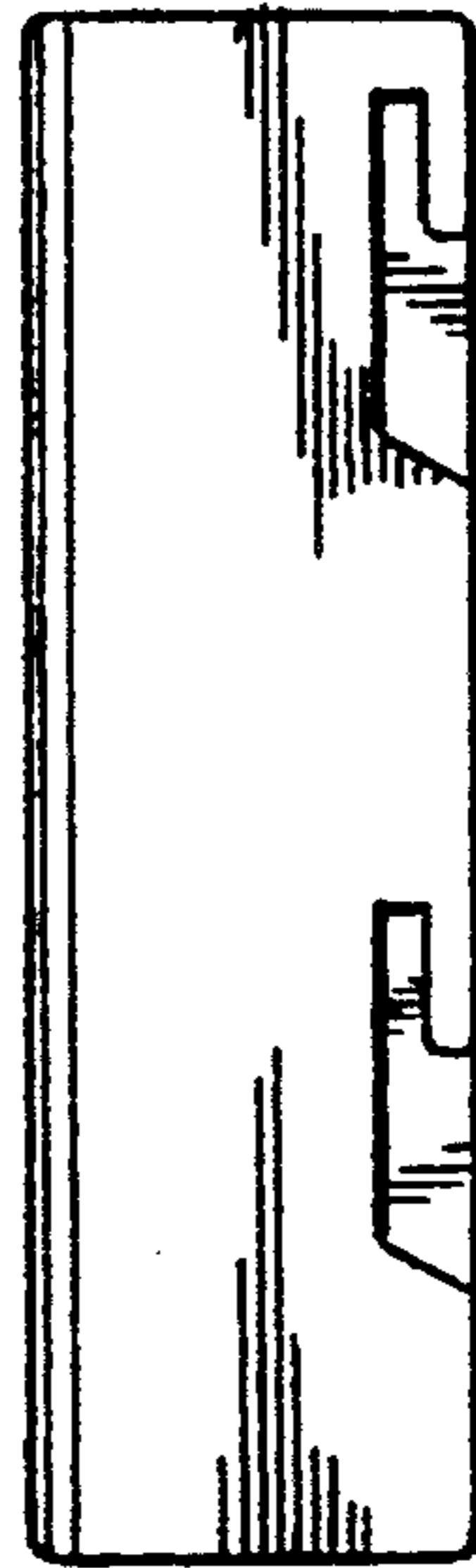


FIG. 6

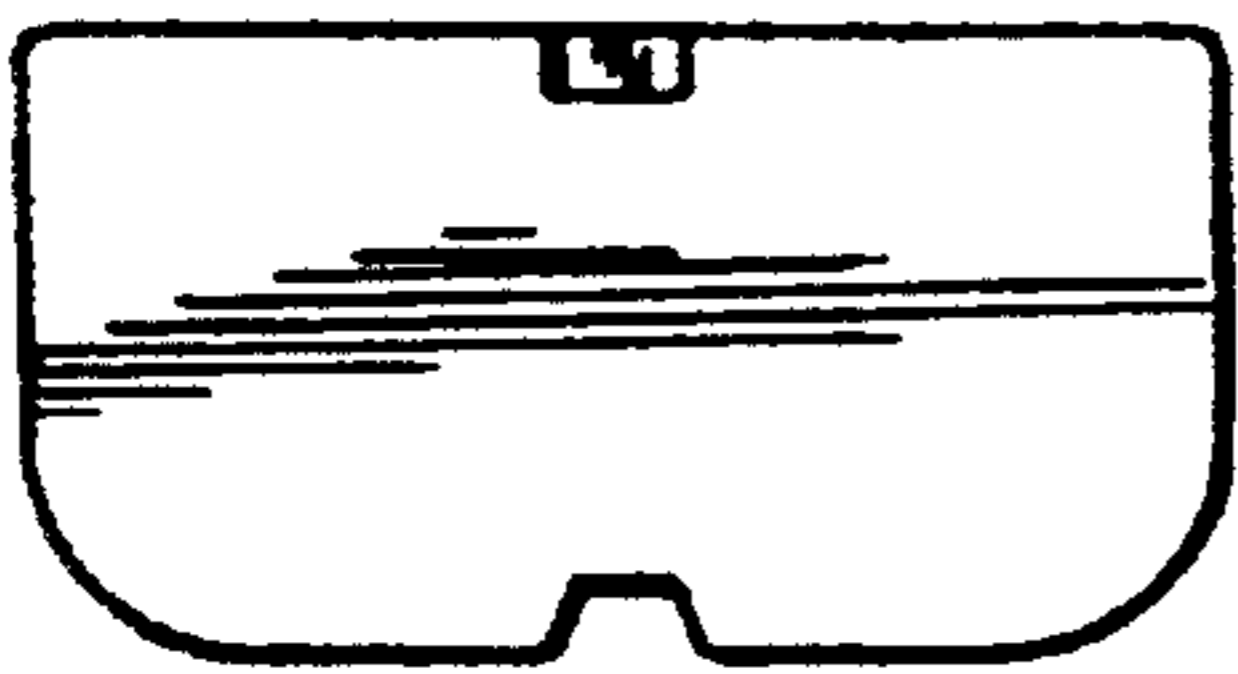


FIG. 7

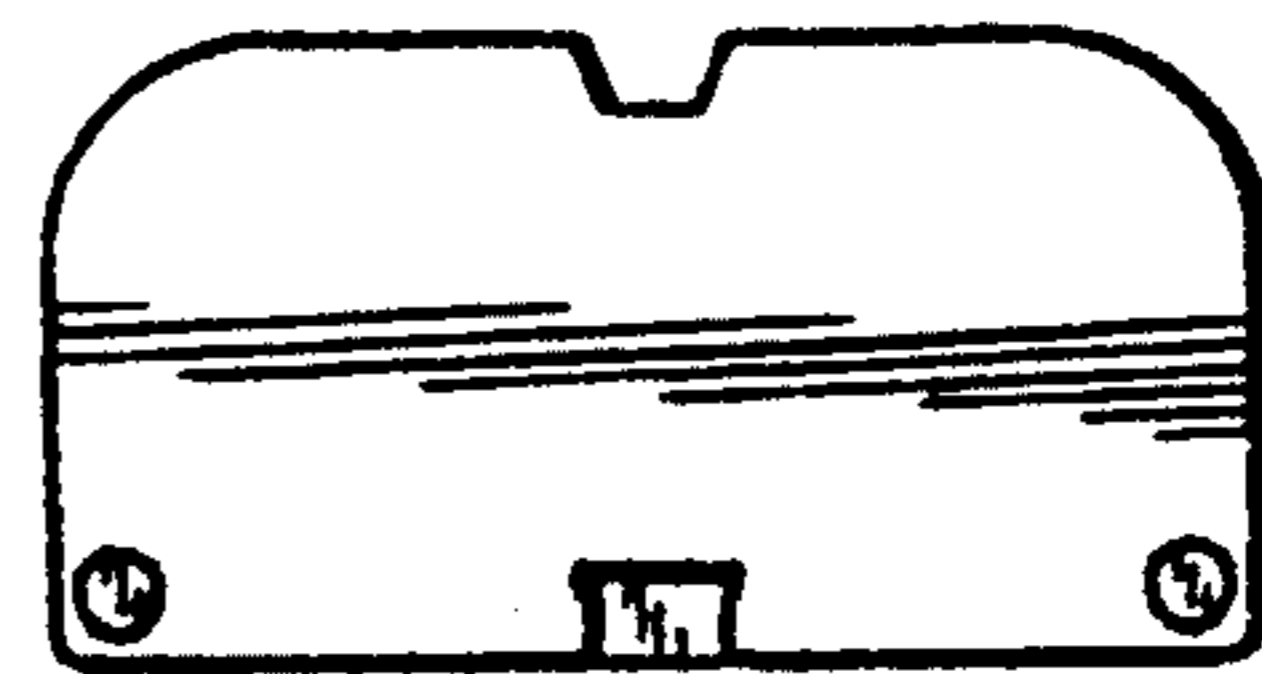


FIG. 8

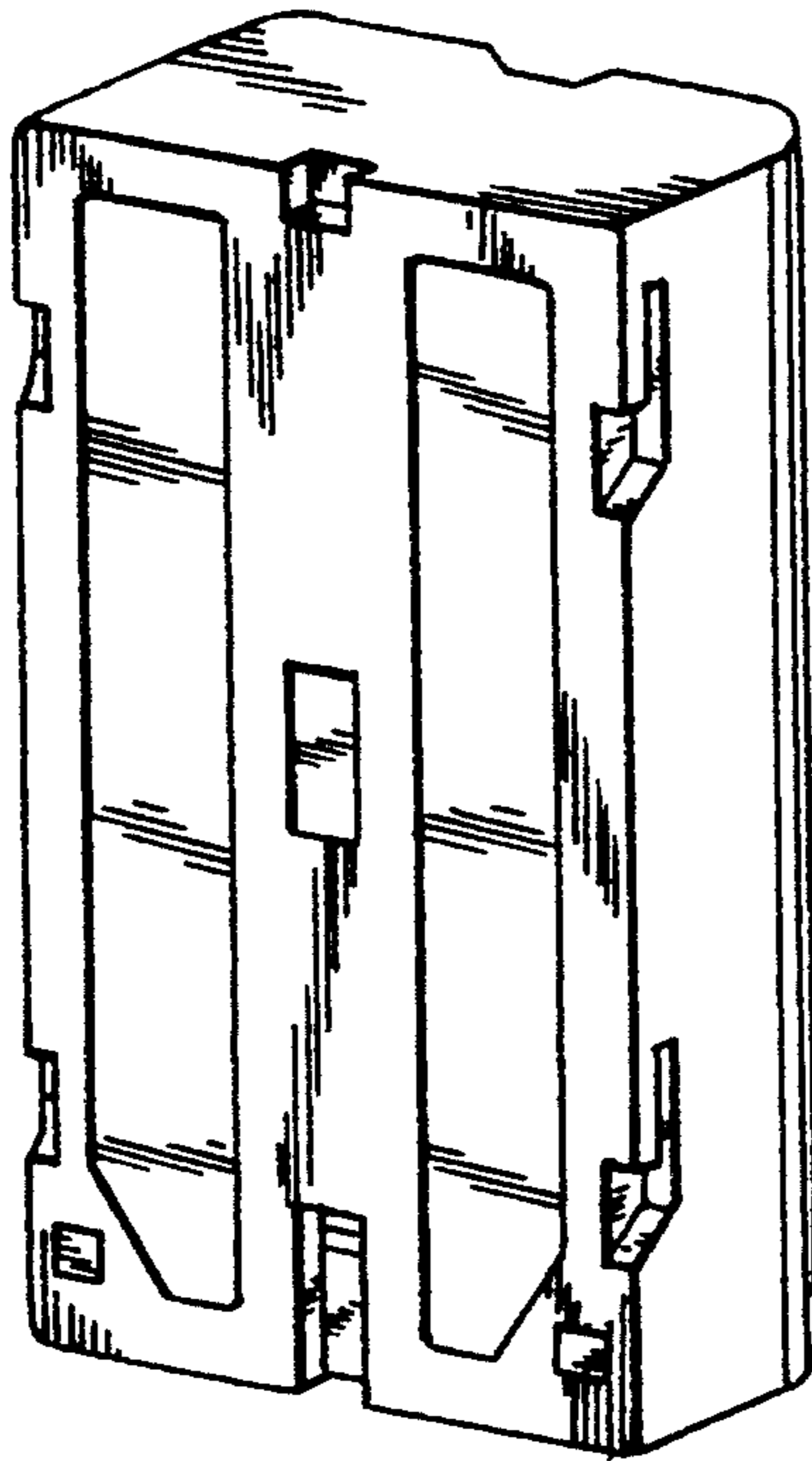


FIG. 9

