



US00D356771S

United States Patent [19]

[11] Patent Number: **Des. 356,771**

White

[45] Date of Patent: **** Mar. 28, 1995**

- [54] **VANITY MIRROR AND COVER FOR A VEHICULAR SUN VISOR**
- [75] Inventor: **Jay R. White**, Bloomfield Hills, Mich.
- [73] Assignee: **Jay Roberts Company**, Rochester Hills, Mich.
- [**] Term: **14 Years**
- [21] Appl. No.: **16,124**
- [22] Filed: **Dec. 8, 1993**
- [52] U.S. Cl. **D12/191**
- [58] Field of Search **D12/191, 417; 296/97.1, 296/97.2, 97.5; 224/312; 359/844, 850**

| | | | |
|-----------|--------|-------------------|----------|
| 5,188,446 | 2/1993 | Miller | 362/83.1 |
| 5,205,639 | 4/1993 | White et al. | 362/137 |
| 5,301,994 | 4/1994 | Wilson | 296/97.5 |

FOREIGN PATENT DOCUMENTS

| | | | |
|---------|---------|---------------|----------|
| 2429685 | 1/1980 | France | 296/97.5 |
| 2483858 | 12/1981 | France | 296/97.5 |
| 3324169 | 1/1985 | Germany | 296/97.5 |

Primary Examiner—James M. Gandy
Attorney, Agent, or Firm—Gifford, Krass, Groh, Sprinkle, Patmore, Anderson & Citkowski

[57] CLAIM

The ornamental design of a vanity mirror and cover for a vehicular sun visor, as shown and described.

DESCRIPTION

FIG. 1 is a perspective view of a vanity mirror and cover for a vehicular sun visor showing my new design with the cover in closed condition concealing the vanity mirror;
 FIG. 2 is a perspective view thereof with the cover in open condition exposing the vanity mirror;
 FIG. 3 is a perspective view of a vanity mirror and cover for a vehicular sun visor showing a second embodiment of my new design with the cover in closed condition concealing the vanity mirror; and,
 FIG. 4 is a perspective view of FIG. 3 with the cover in open condition exposing the vanity mirror.
 The broken line showing of the vehicular sun visor shown in the drawing is for illustrative purposes only and forms no part of the claimed design.

[56] References Cited

U.S. PATENT DOCUMENTS

| | | | |
|-----------|---------|---------------------|-----------|
| 4,511,954 | 4/1985 | Marcus et al. | 362/275 |
| 4,564,234 | 1/1986 | Kaiser et al. | 296/97 H |
| 4,648,011 | 3/1987 | Boote et al. | 362/135 |
| 4,653,798 | 3/1987 | White et al. | 296/97 H |
| 4,791,537 | 12/1988 | Fisher et al. | 362/135 |
| 4,809,140 | 2/1989 | Jonsas | 362/74 |
| 4,858,983 | 8/1989 | White et al. | 296/97.13 |
| 4,866,579 | 9/1989 | Miller et al. | 362/144 |
| 4,922,391 | 5/1990 | Dykstra | 362/144 |
| 4,948,240 | 8/1990 | Zipperle | 350/606 |
| 4,953,064 | 8/1990 | Viertel et al. | 362/74 |
| 4,961,608 | 10/1990 | Nash | 296/97.5 |
| 5,054,839 | 10/1991 | White et al. | 296/97.1 |
| 5,061,003 | 10/1991 | Gabas | 296/97.1 |
| 5,143,678 | 9/1992 | Prillard | 264/255 |

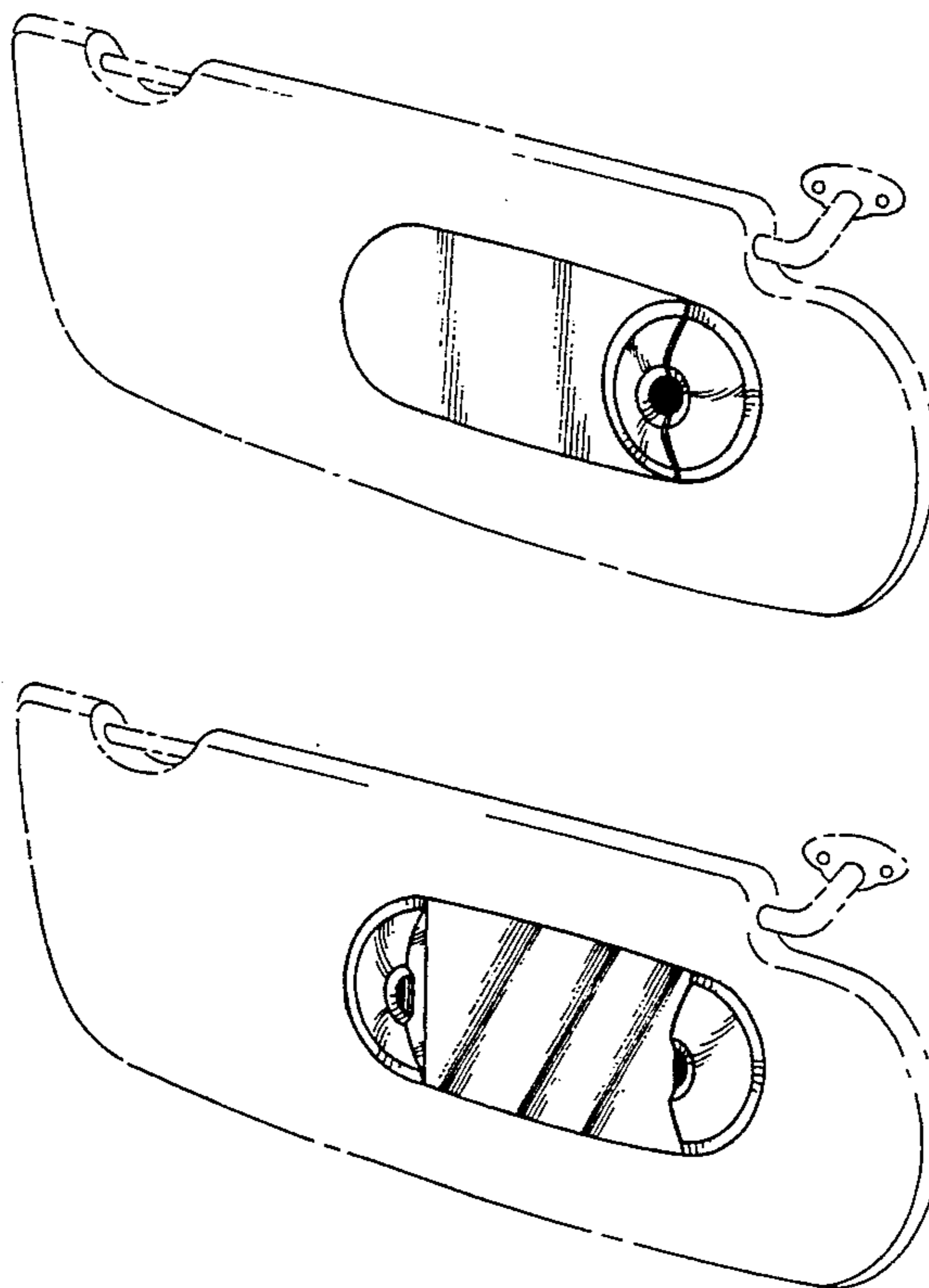


Fig-1

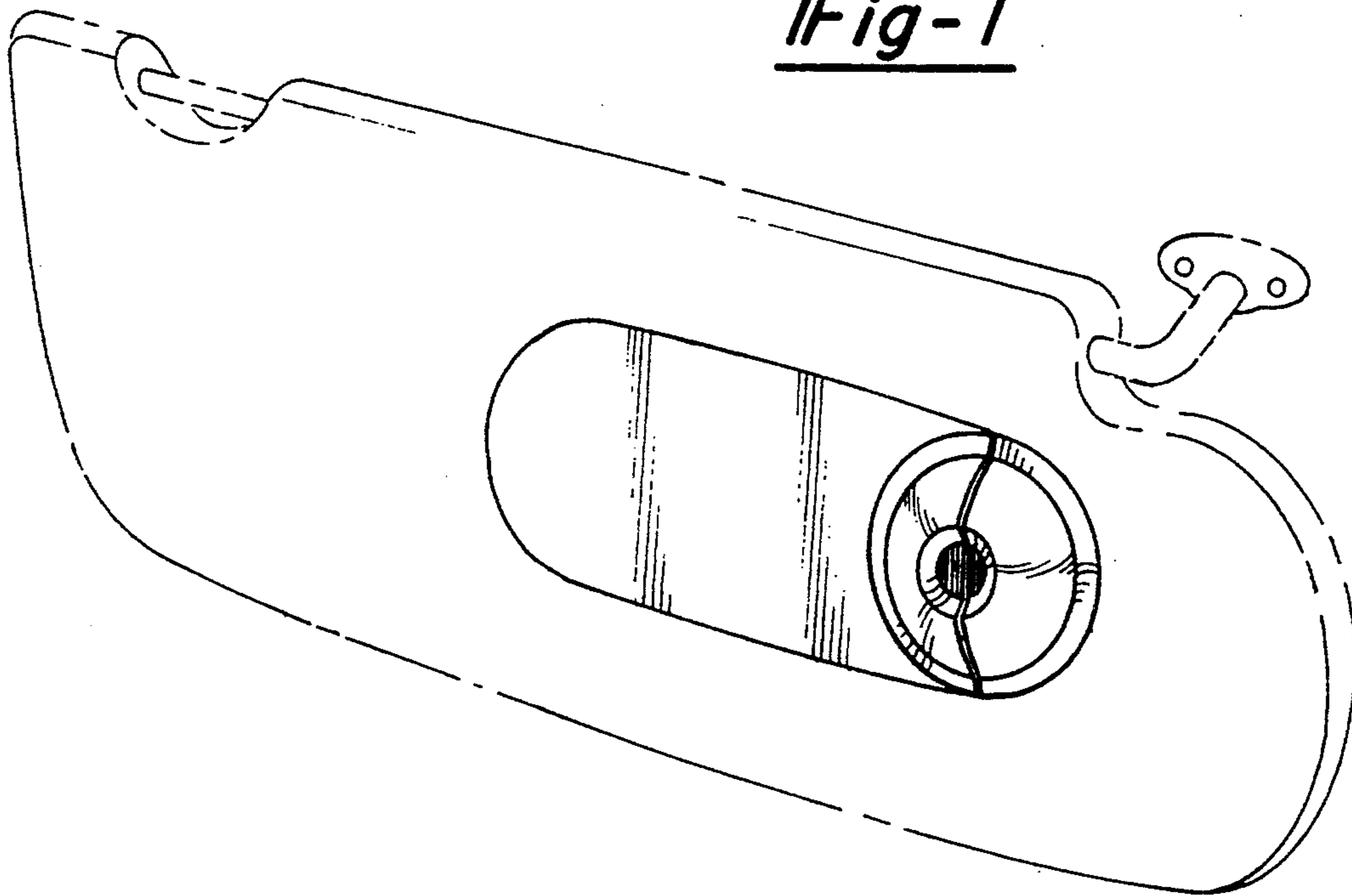


Fig-2

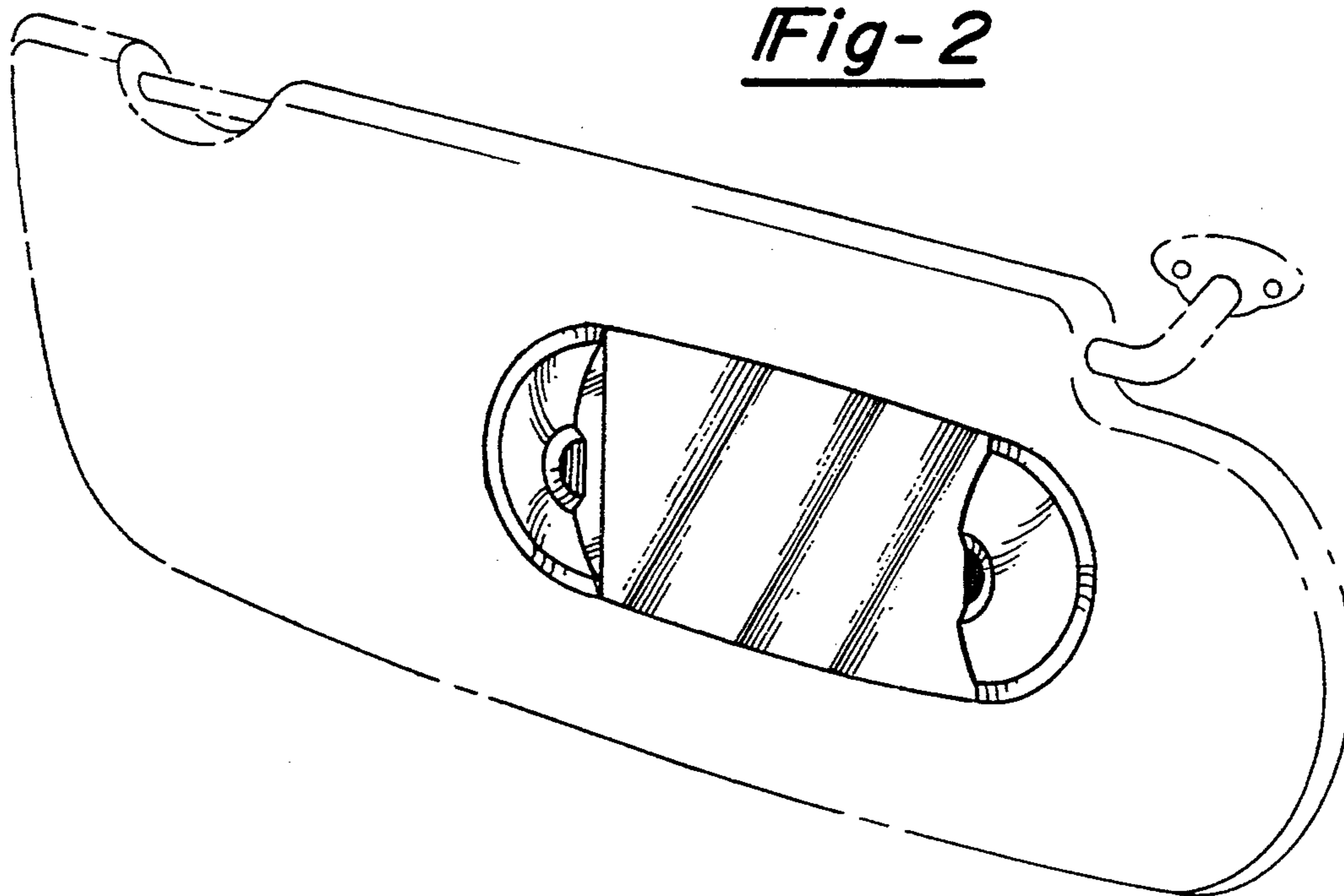


Fig-3

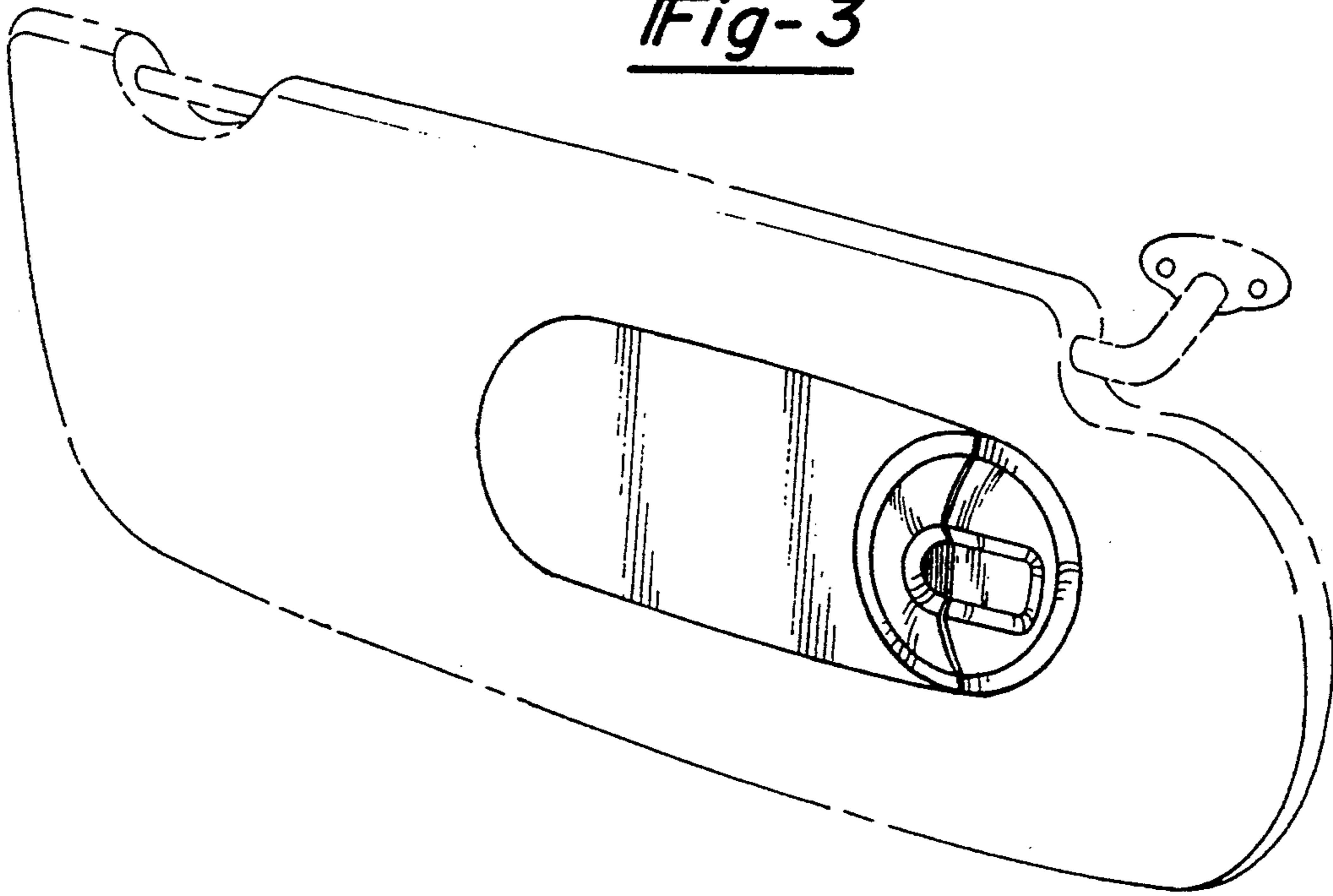


Fig-4

