



US00D356762S

United States Patent [19]
Silbersky

[11] **Patent Number: Des. 356,762**
[45] **Date of Patent: ** Mar. 28, 1995**

[54] **ROLLABLE WALKER**

[56] **References Cited**

[75] **Inventor: Jonnie Silbersky, Malmö, Sweden**

U.S. PATENT DOCUMENTS

D. 312,061 11/1990 Smith D12/130

[73] **Assignee: Samhall Rehab AB, Malmö, Sweden**

Primary Examiner—Kay H. Chin
Attorney, Agent, or Firm—Ladas & Parry

[**] **Term: 14 Years**

[57] **CLAIM**

The ornamental design for a rollable walker, as shown and described.

[21] **Appl. No.: 12,774**

DESCRIPTION

[22] **Filed: Sep. 9, 1993**

FIG. 1 is a front elevational view of rollable walker showing my new design;

FIG. 2 is a left side elevational view thereof, the view from the right side being the mirror image thereof;

FIG. 3 is a rear elevational view thereof;

FIG. 4 is a top plan view thereof;

FIG. 5 is a left rear perspective view thereof; and,

FIG. 6 is a left rear perspective view with a seat of the rollable walker folded upwards.

[30] **Foreign Application Priority Data**

Mar. 9, 1993 [SE] Sweden 576/93

[52] **U.S. Cl.** D12/130; D12/128

[58] **Field of Search** D12/130, 128; 280/755, 280/87.051, 87.02; 482/68; 135/67; 297/5, 6

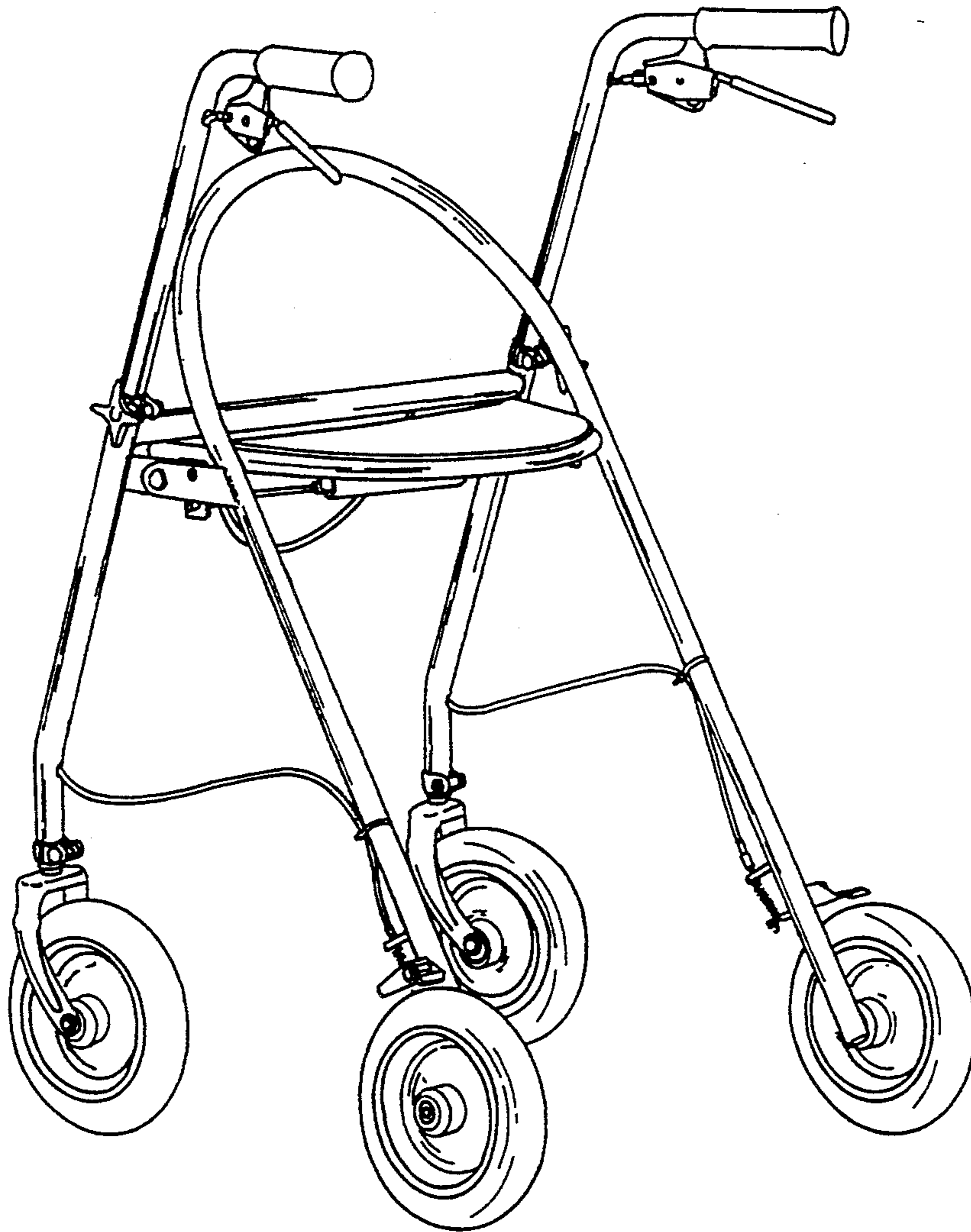


FIGURE 1

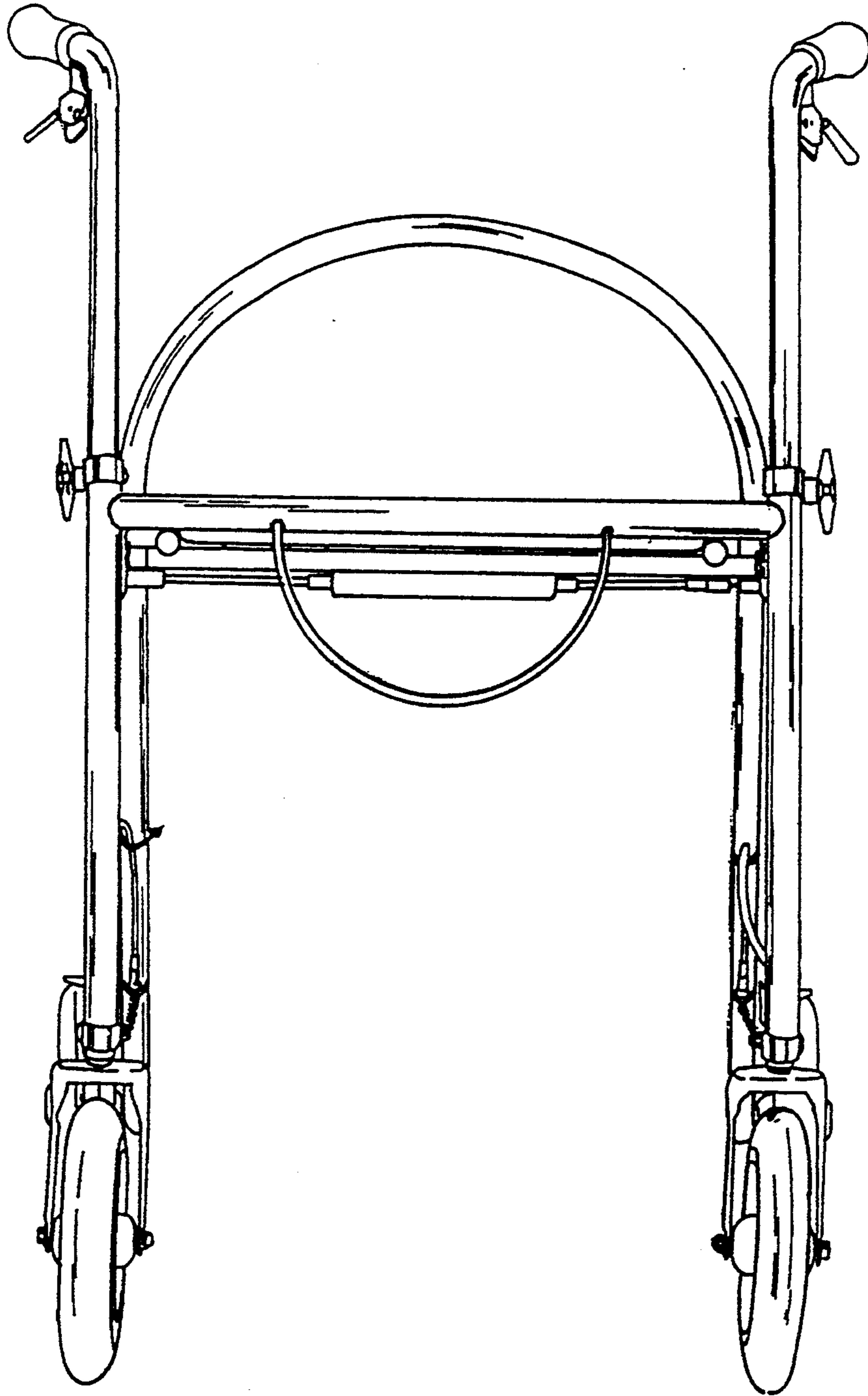


FIGURE 2

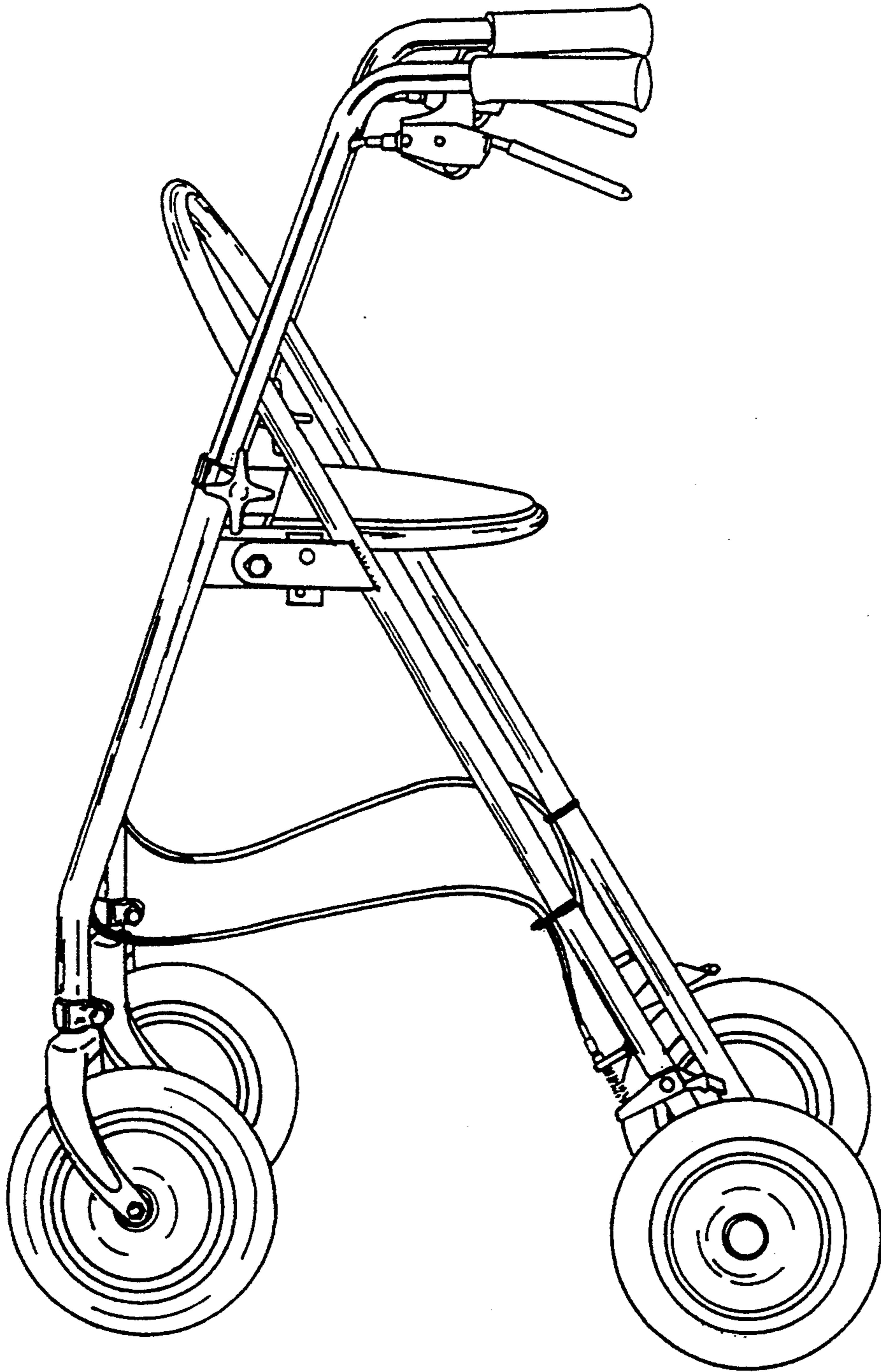
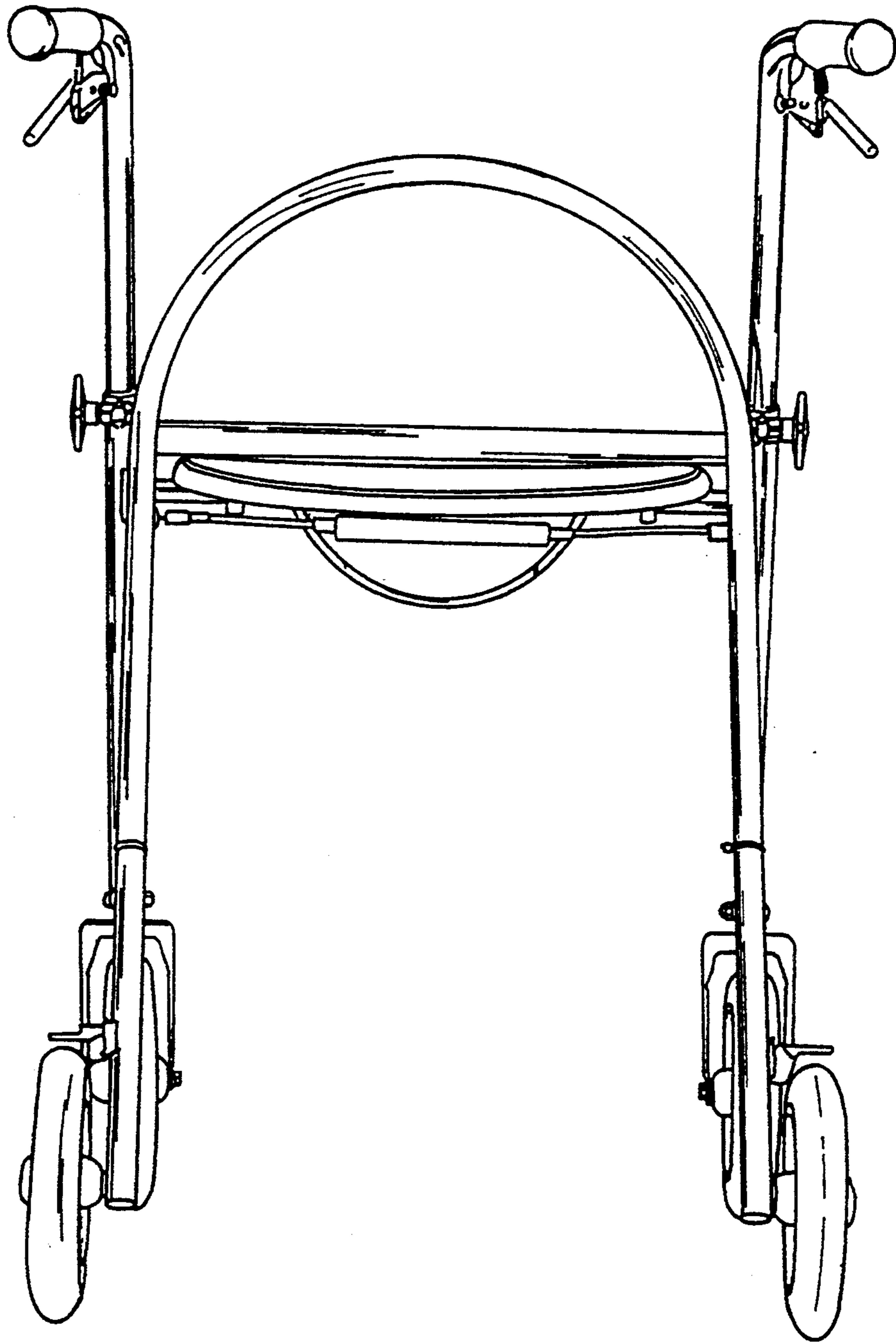


FIGURE 3



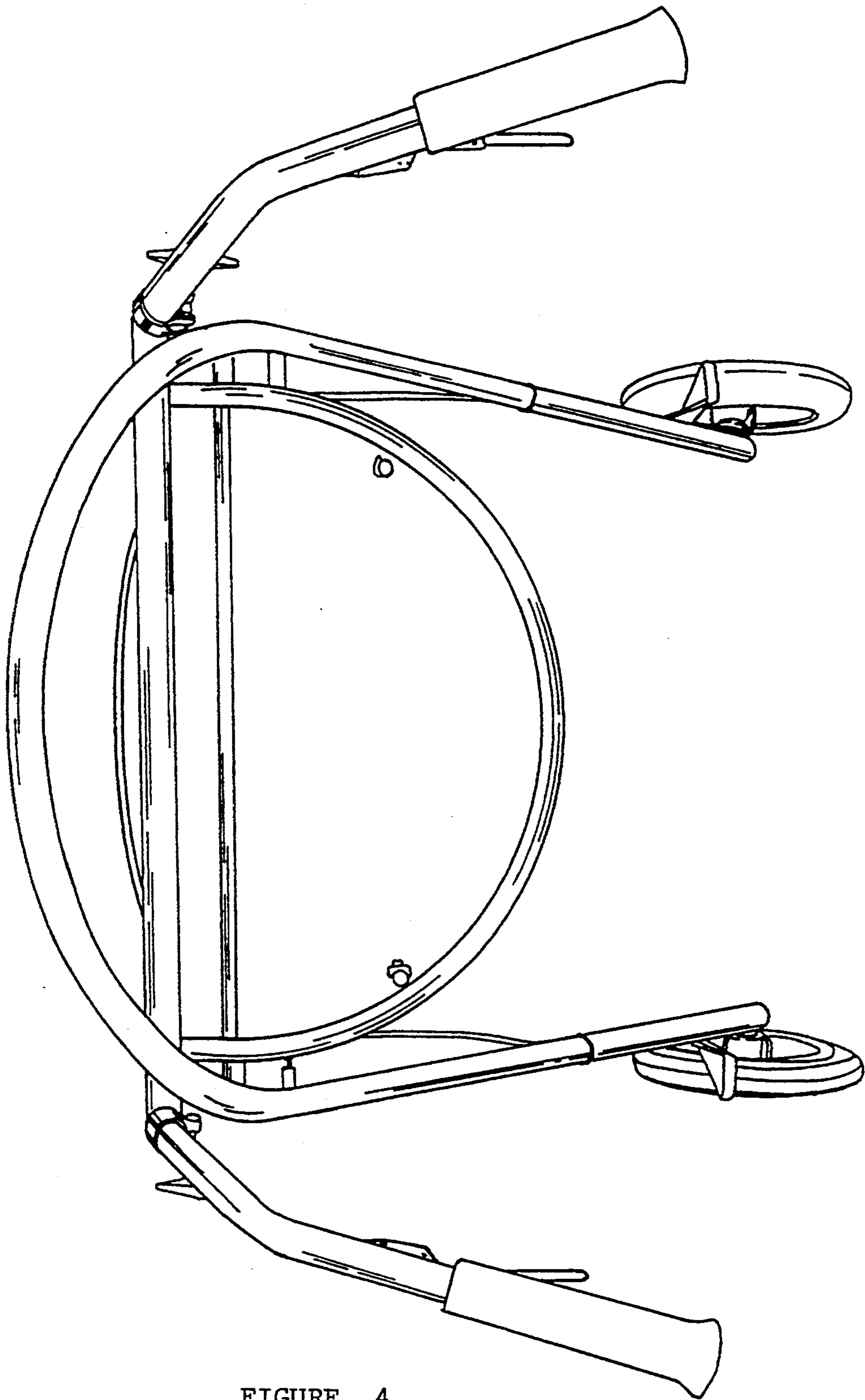


FIGURE 4

FIGURE 5

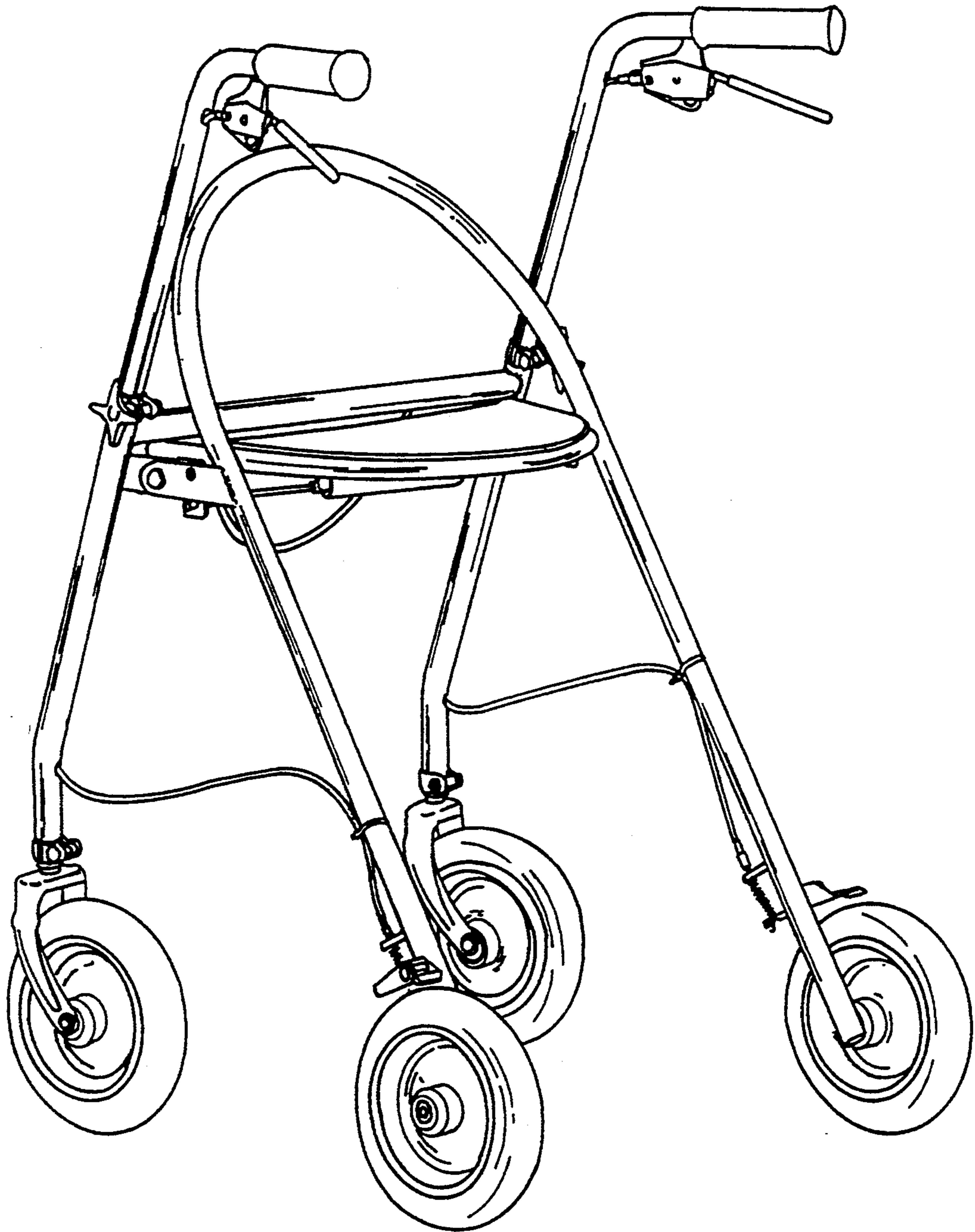


FIGURE 6

