



US00D356761S

# United States Patent [19]

[11] Patent Number: **Des. 356,761**

Jacobs et al.

[45] Date of Patent: **\*\* Mar. 28, 1995**

[54] **COMBINATION STROLLER AND TRAILER FOR INFANTS AND CHILDREN**

[75] Inventors: **Richard H. Jacobs**, New Brighton;  
**Brian D. Kolbus**, Minneapolis, both of Minn.

[73] Assignee: **TRI Industries, Inc.**, Bloomington, Minn.

[\*\*] Term: **14 Years**

[21] Appl. No.: **12,338**

[22] Filed: **Aug. 30, 1993**

[52] U.S. Cl. .... **D12/129; D12/114**

[58] Field of Search ..... **D12/128, 129, 114; 280/204, 47.25, 47.18, 282**

[56] **References Cited**

**U.S. PATENT DOCUMENTS**

- D. 204,254 4/1966 Cerf .
- D. 206,116 11/1966 Hughes .
- D. 274,714 7/1984 Cone .
- D. 290,825 4/1987 Mathies et al. .
- D. 297,525 9/1988 Baechler .
- D. 301,850 6/1989 Clement et al. .
- D. 315,885 4/1991 Jacobs .
- D. 341,460 11/1993 Parshall et al. .... D12/129
- 699,186 5/1902 Katzke .
- 716,972 12/1902 Whitmore .
- 2,425,688 8/1947 Schulte .
- 2,455,119 11/1948 Hall .
- 2,781,225 2/1957 Heideman .
- 3,052,480 9/1962 Sanstrom .
- 3,110,504 12/1963 Myers .
- 3,305,244 2/1967 Flagg .
- 3,403,744 10/1968 Dinkel .
- 3,575,461 4/1971 Goldman et al. .
- 3,605,929 9/1971 Rolland .
- 3,656,777 4/1972 Keiser, Jr. .
- 3,698,502 10/1972 Patin .
- 3,712,636 1/1973 Gesslein .
- 3,781,031 12/1973 Patin .
- 3,848,890 11/1974 MacAlpine .
- 3,873,116 3/1975 Perego .
- 3,877,723 4/1975 Fahey et al. .
- 3,909,043 9/1975 Black .
- 4,029,329 6/1977 Chambers .
- 4,064,957 12/1977 Parham .
- 4,072,318 2/1978 Laune .

- 4,166,630 9/1979 Sullivan et al. .
- 4,181,317 1/1980 Toda .
- 4,325,449 4/1982 D-Addio et al. .
- 4,335,900 6/1982 Fleischer .
- 4,346,912 8/1982 Habib .
- 4,353,567 10/1982 Weldy .
- 4,361,338 11/1982 Kuchenbecker et al. .
- 4,369,987 1/1983 Witherell .
- 4,373,740 2/1983 Hendrix .

(List continued on next page.)

**FOREIGN PATENT DOCUMENTS**

- 2579544 10/1986 France .
- 213538 9/1909 Germany .
- 2348716 7/1974 Germany .
- 2741543 6/1978 Germany .
- 851163 10/1960 United Kingdom .
- 2099765 12/1982 United Kingdom .
- 2204282 11/1988 United Kingdom .

**OTHER PUBLICATIONS**

American Bicyclist & Motorcyclist, Jun. 1990, p. 25 "Kiddie Kart".

Primary Examiner—**Kay H. Chin**

Attorney, Agent, or Firm—**Palmatier, Sjoquist & Helget**

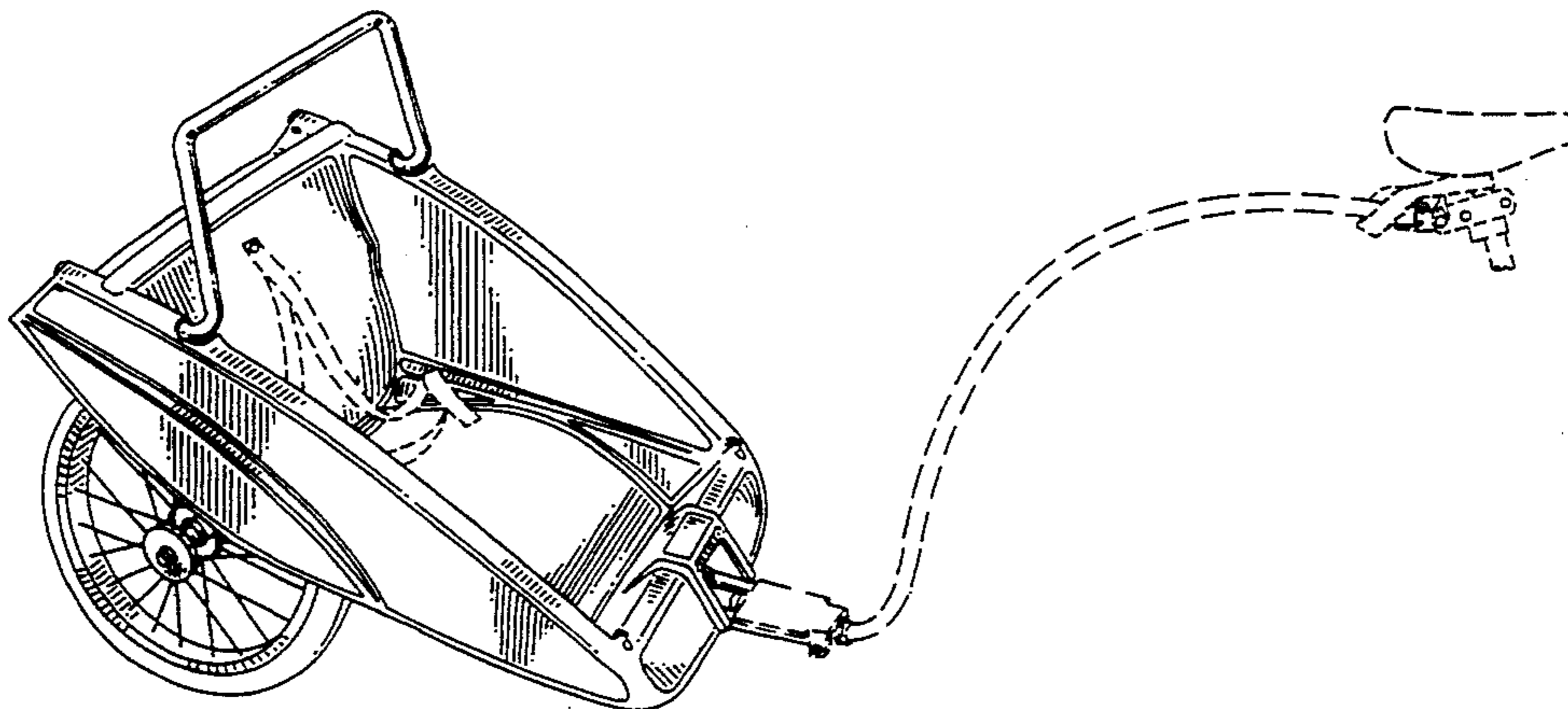
[57] **CLAIM**

The ornamental design for a combination stroller and trailer for infants and children, as shown and described.

**DESCRIPTION**

FIG. 1 is a perspective view of a combination stroller and trailer for infants and children showing my new design in the trailer mode;  
 FIG. 2 is a perspective view in the stroller mode;  
 FIG. 3 is a front elevational view;  
 FIG. 4 is a rear elevational view;  
 FIG. 5 is a top plan view;  
 FIG. 6 is a bottom plan view;  
 FIG. 7 is a left side elevational view;  
 FIG. 8 is a right side elevational view; and,  
 FIG. 9 is a cross-sectional view taken along lines 9—9 of FIG. 5.

The broken lines shown in FIGS. 1 through 9 are for illustrative purposes only and form no part of the claimed design.



---

U.S. PATENT DOCUMENTS

4,403,673	9/1983	Ball .	4,902,027	2/1990	Skelly .	
4,408,776	10/1983	Randolph et al. .	4,934,728	6/1990	Chen .	
4,422,663	12/1983	Hon .	4,953,880	9/1990	Sidakoff et al. .	
4,526,390	7/1988	Skolnik .	5,020,813	6/1991	Gottschalk .....	280/204
4,542,915	9/1924	Wheeler, III et al. .	5,020,814	6/1991	George et al. ....	280/204
4,586,721	5/1986	Harada et al. .	5,029,891	7/1991	Jacobs .	
4,618,184	10/1986	Harvey .	5,039,120	8/1991	Stowe .	
4,632,420	12/1986	Miyagi .	5,076,599	12/1991	Lockett et al. .	
4,756,541	7/1988	Albitre .	5,123,670	6/1992	Chen .	
			5,176,395	1/1993	Garforth-Bles .	
			5,267,744	12/1993	Berry et al. ....	280/204

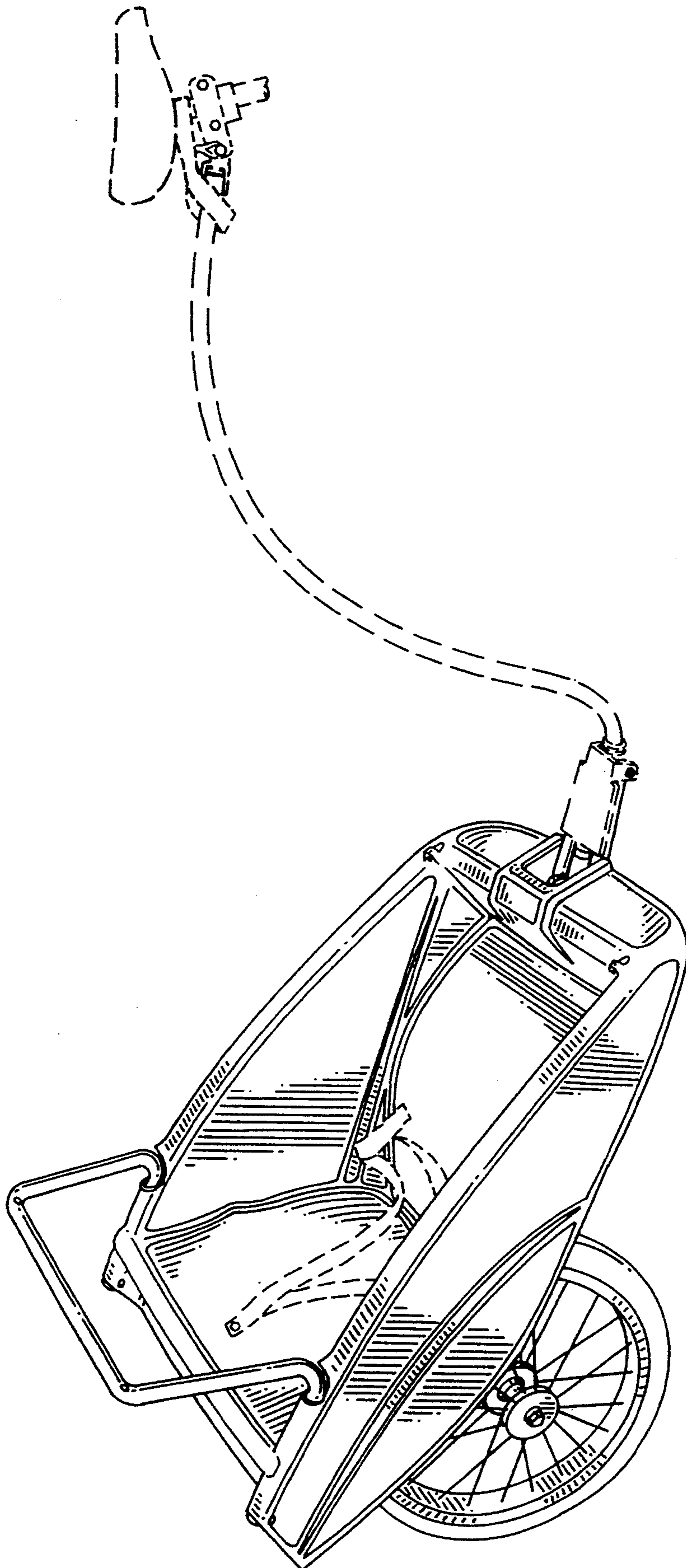


FIG. 1

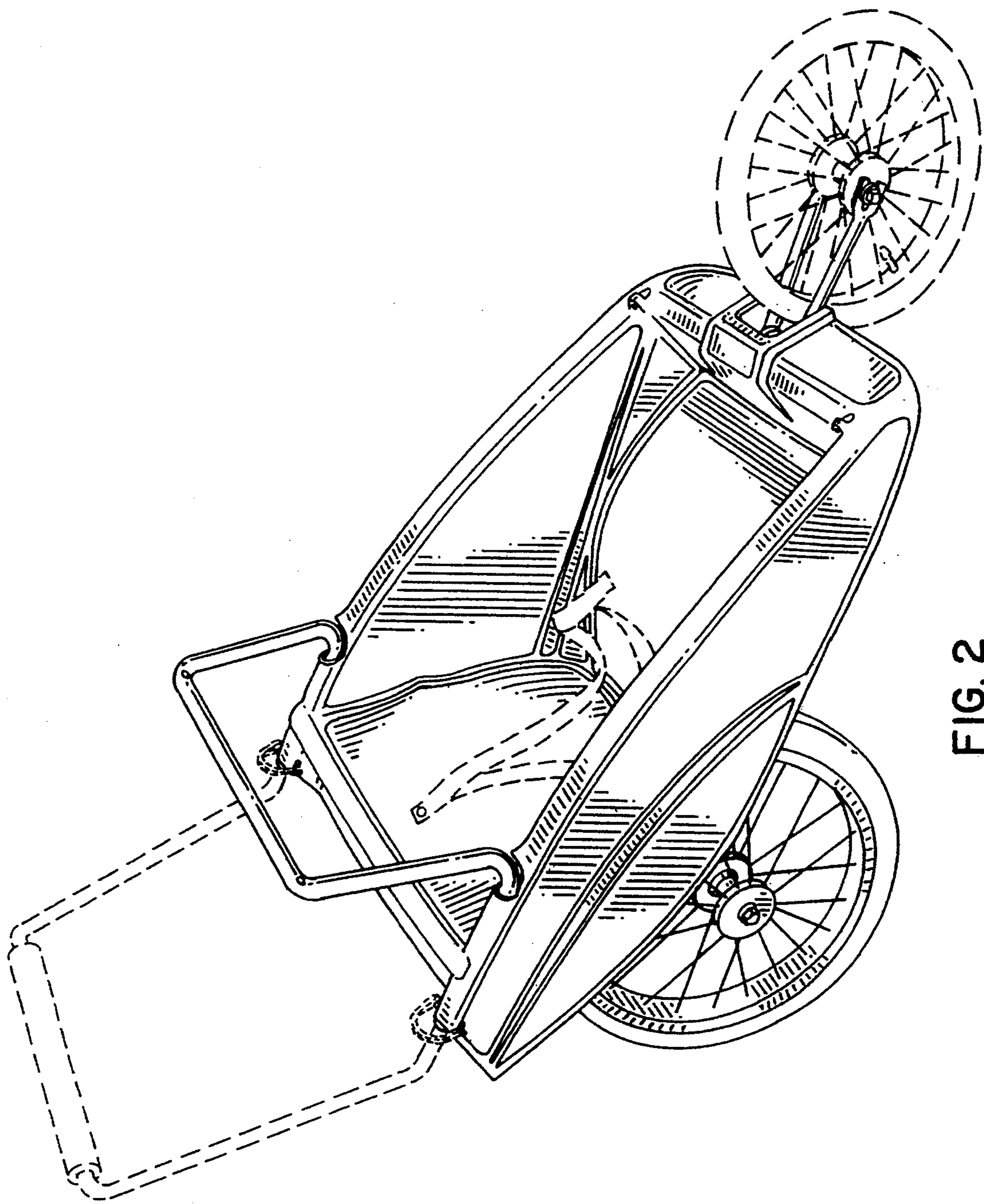


FIG. 2

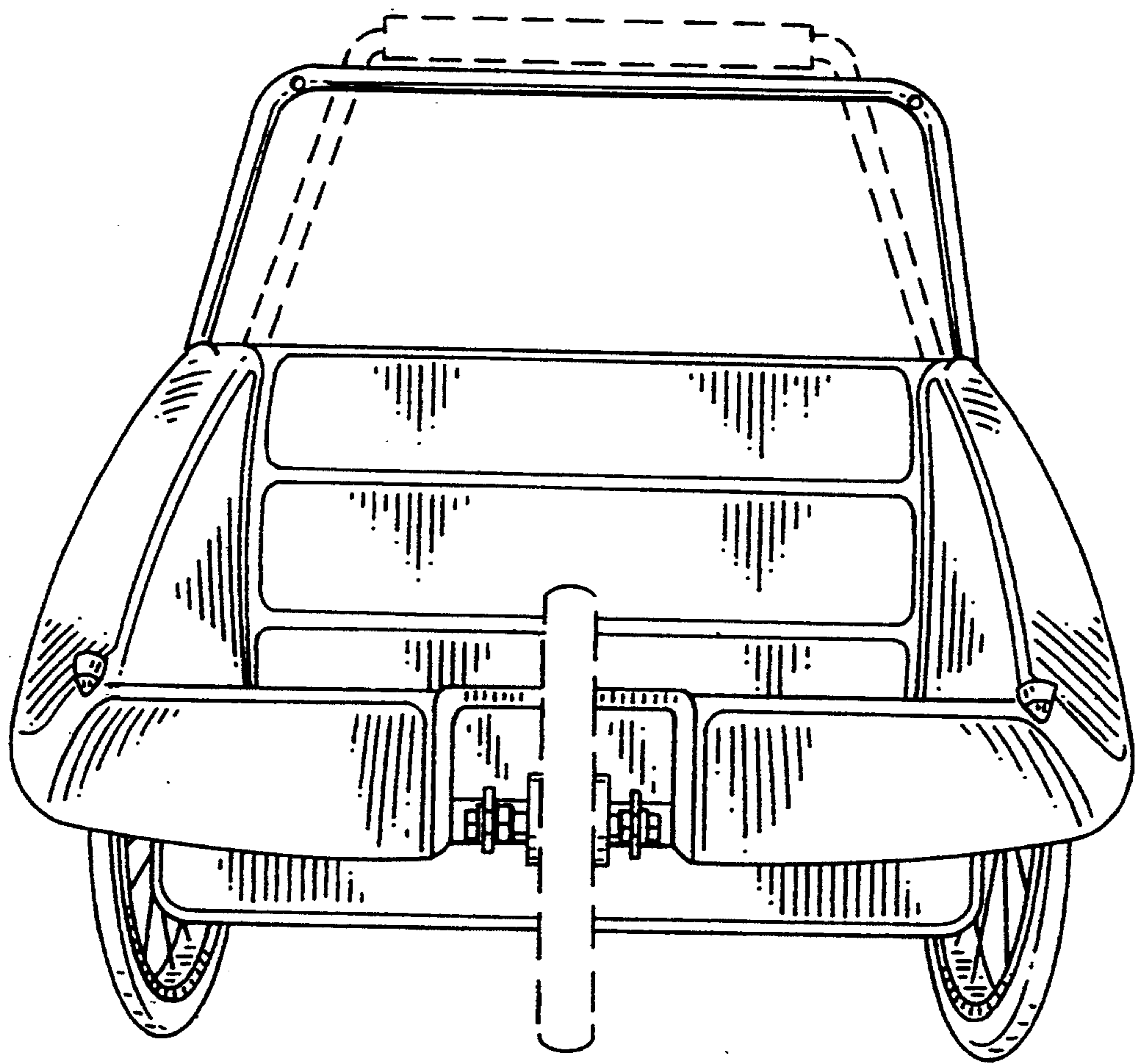


FIG. 3

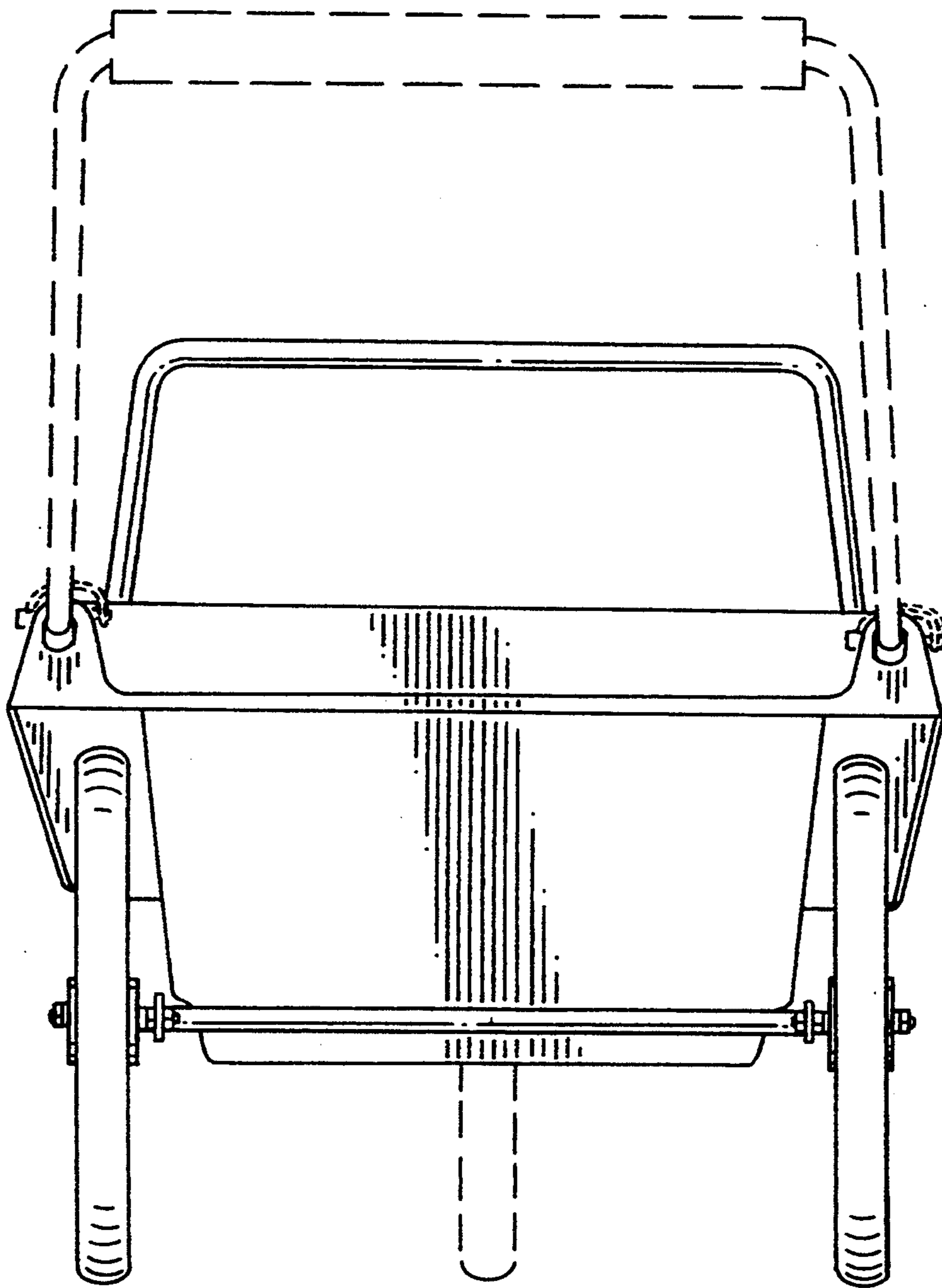


FIG. 4

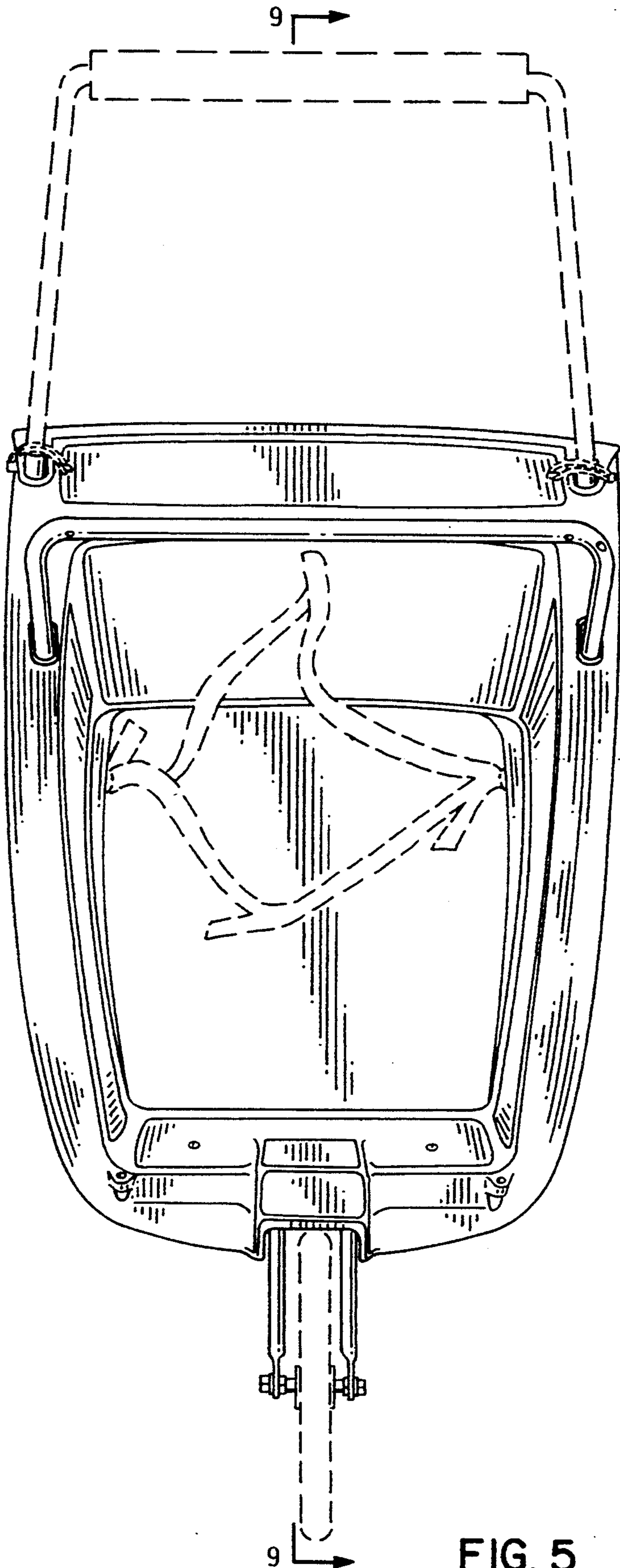


FIG. 5

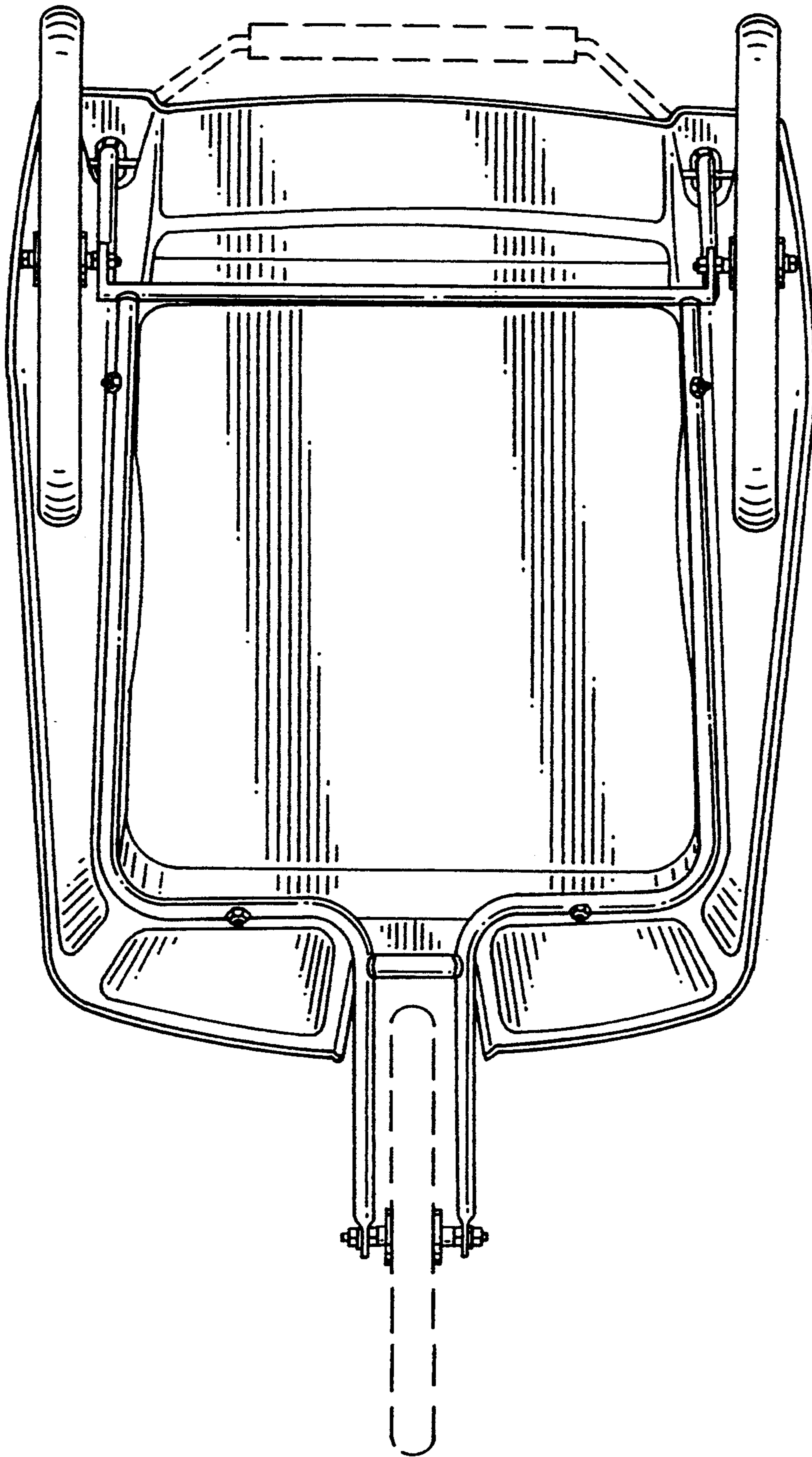


FIG. 6



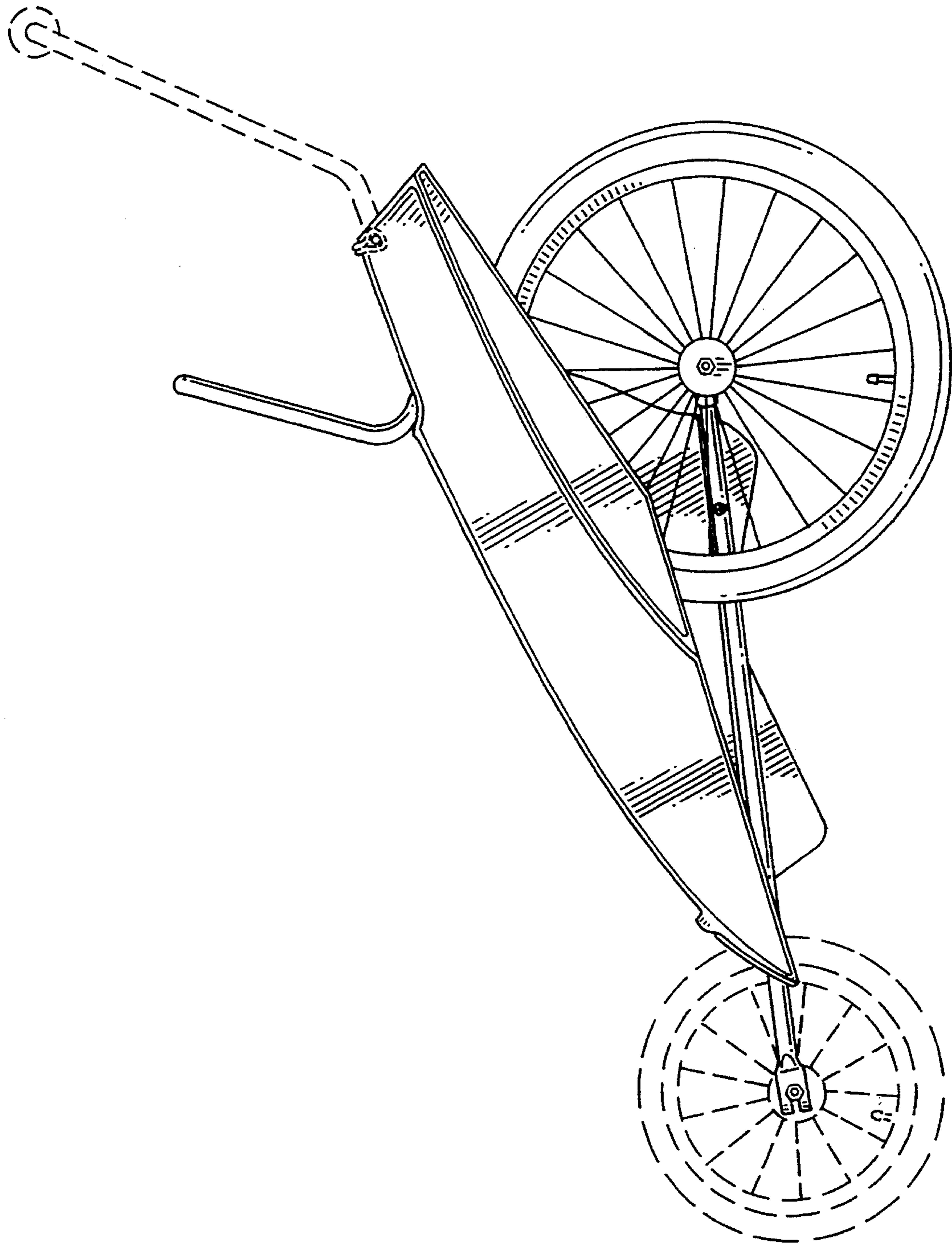


FIG. 7

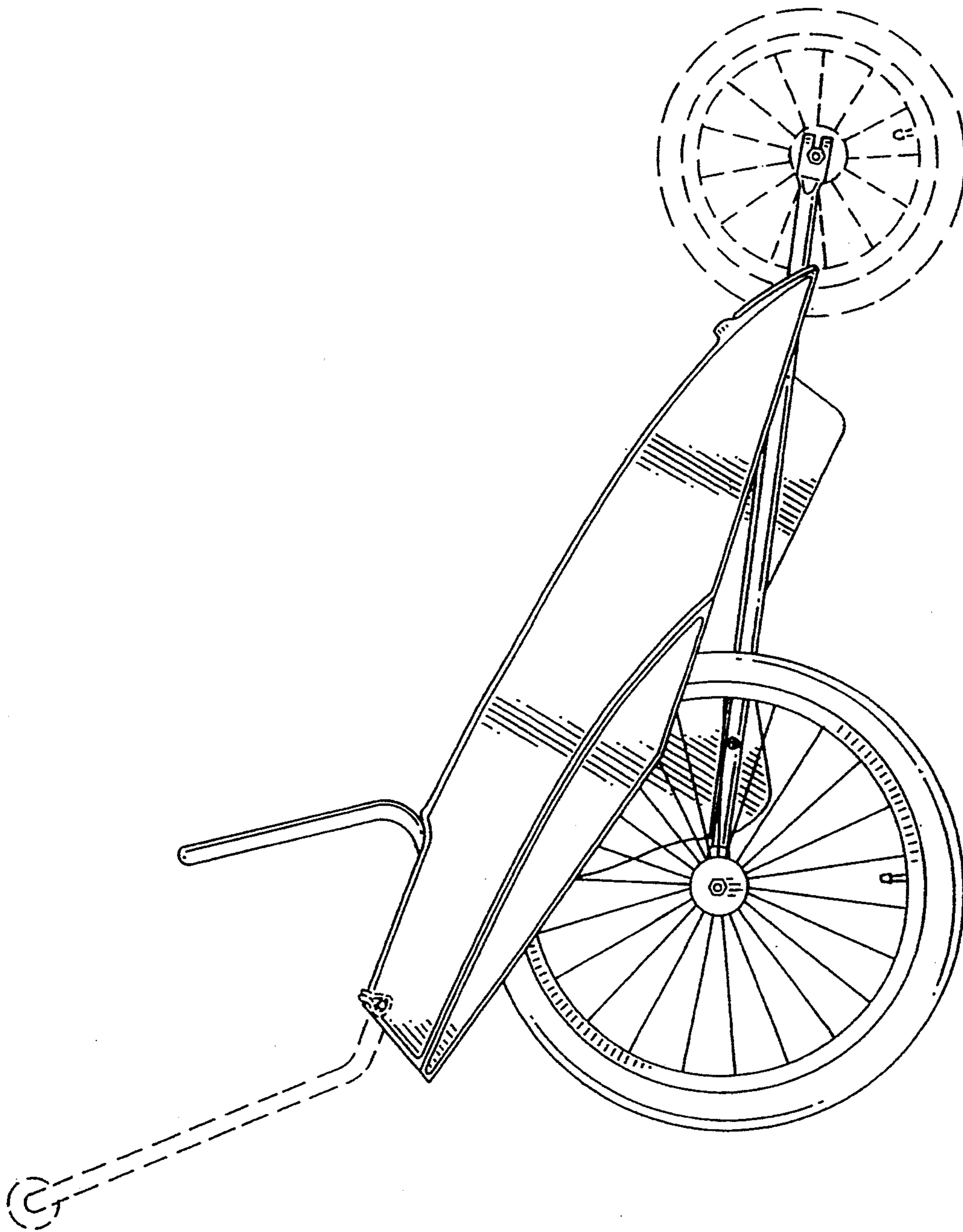


FIG. 8

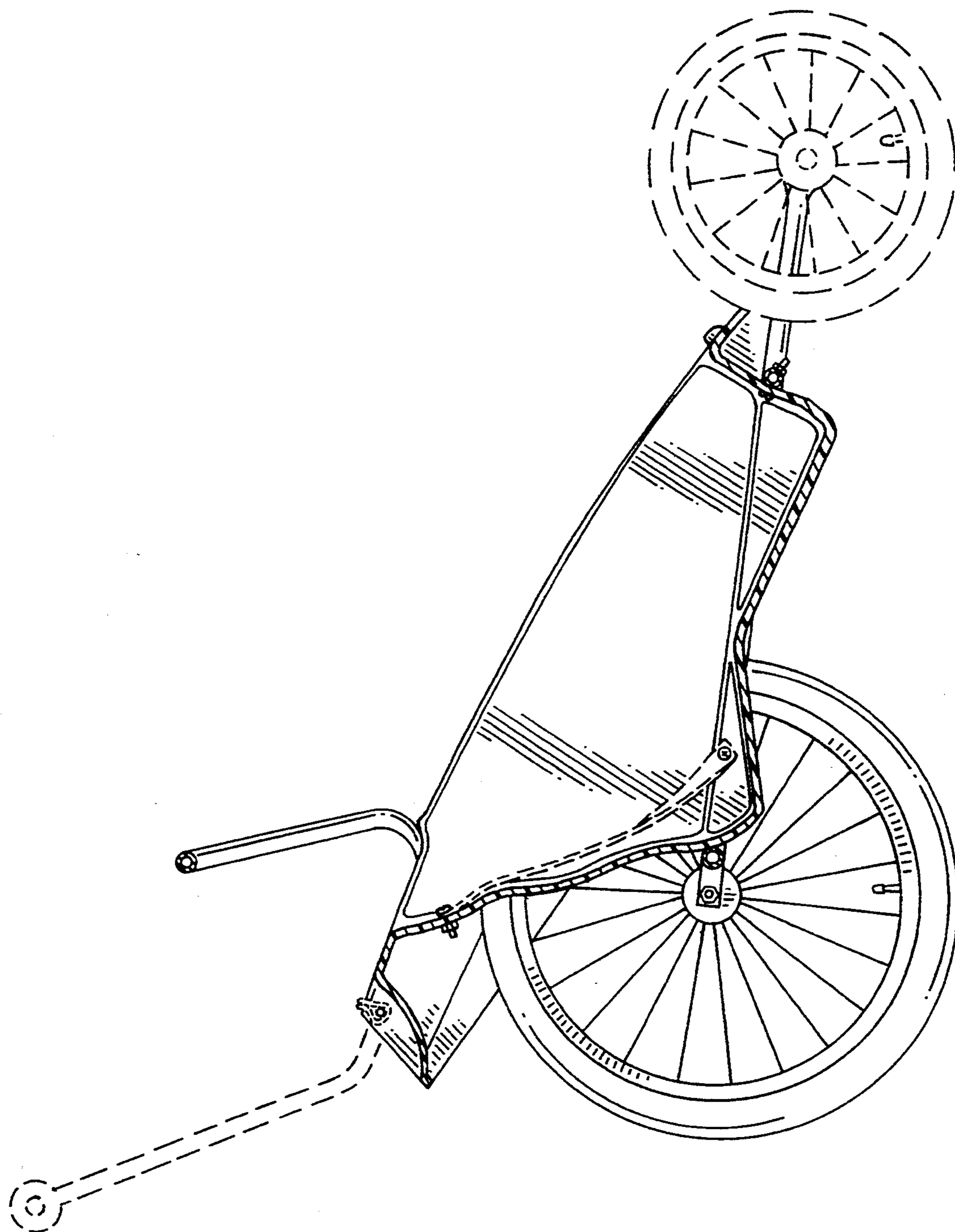


FIG. 9