



US00D356745S

United States Patent [19]

Ninomiya et al.

[11] Patent Number: **Des. 356,745**

[45] Date of Patent: **** Mar. 28, 1995**

[54] OPERATOR WITH PRINTER FOR ANALYZING MACHINE OF LIQUID CHROMATOGRAPH

[75] Inventors: **Atsushi Ninomiya, Ohme; Seiji Kamimura, Kokubunji; Isamu Takekoshi, Tokyo; Hironori Kaji, Katsuta; Hideo Seki, Naka; Kaoru Hagiya, Hitachi, all of Japan**

[73] Assignee: **Hitachi, Ltd., Tokyo, Japan**

[**] Term: **14 Years**

[21] Appl. No.: **15,531**

[22] Filed: **Nov. 19, 1993**

[30] **Foreign Application Priority Data**

Jun. 2, 1993 [JP] Japan 5-16006

[52] U.S. Cl. **D10/81; D10/46; D10/75**

[58] Field of Search **D10/46, 75, 81; D14/118; D24/167, 168; 422/50, 65, 72**

[56] **References Cited**

U.S. PATENT DOCUMENTS

D. 273,370	4/1984	Eilert	D10/75
D. 278,041	3/1985	Clarke	D10/46 X
D. 336,256	6/1993	McMahan, Jr. et al.	D10/81
4,919,887	4/1990	Wakatake	D10/81 X
5,228,988	7/1993	Sanford et al.	422/70 X

Primary Examiner—Alan P. Douglas
Assistant Examiner—Antoine D. Davis
Attorney, Agent, or Firm—Antonelli, Terry, Stout & Kraus

[57] **CLAIM**

The ornamental design for an operator with printer for analyzing machine of liquid chromatograph, as shown.

DESCRIPTION

FIG. 1 is a front, top and right side perspective view of an operator with printer for analyzing machine of liquid chromatograph showing our new design; FIG. 2 is a front elevational view thereof; FIG. 3 is a right side view thereof; FIG. 4 is a top plan view thereof; FIG. 5 is a rear elevational view thereof; and, FIG. 6 is a bottom plan view thereof.

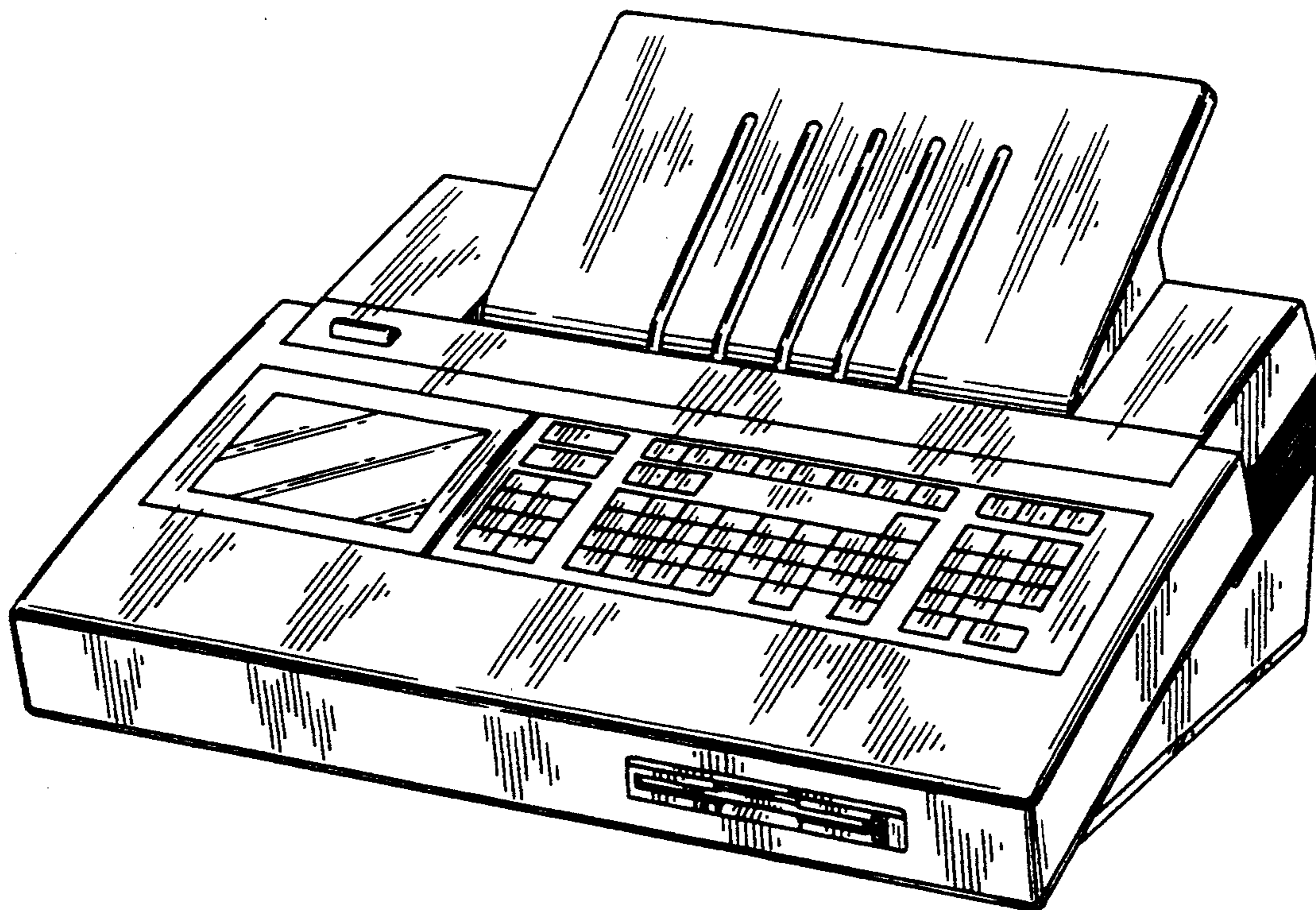


FIG. 1

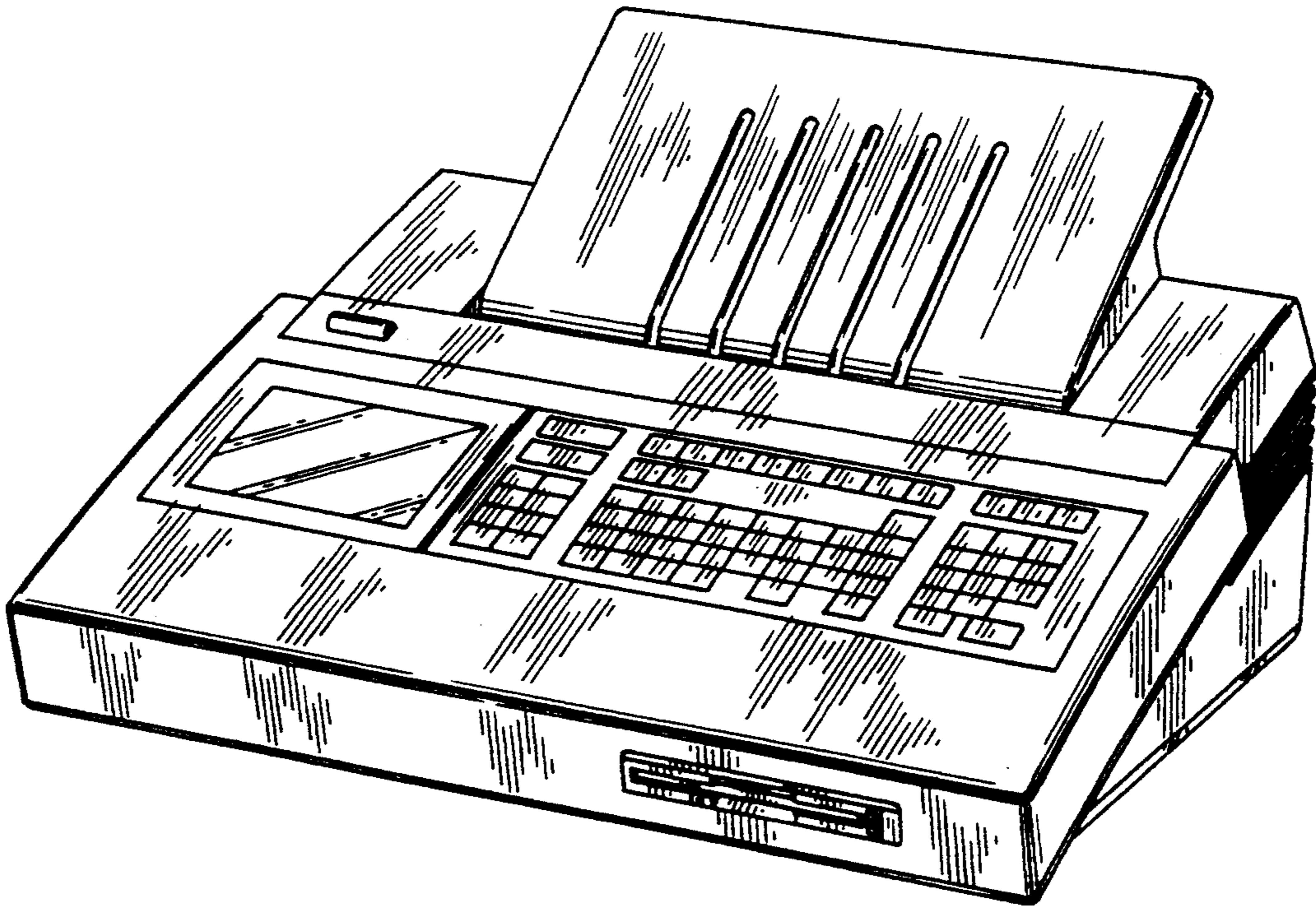


FIG. 2

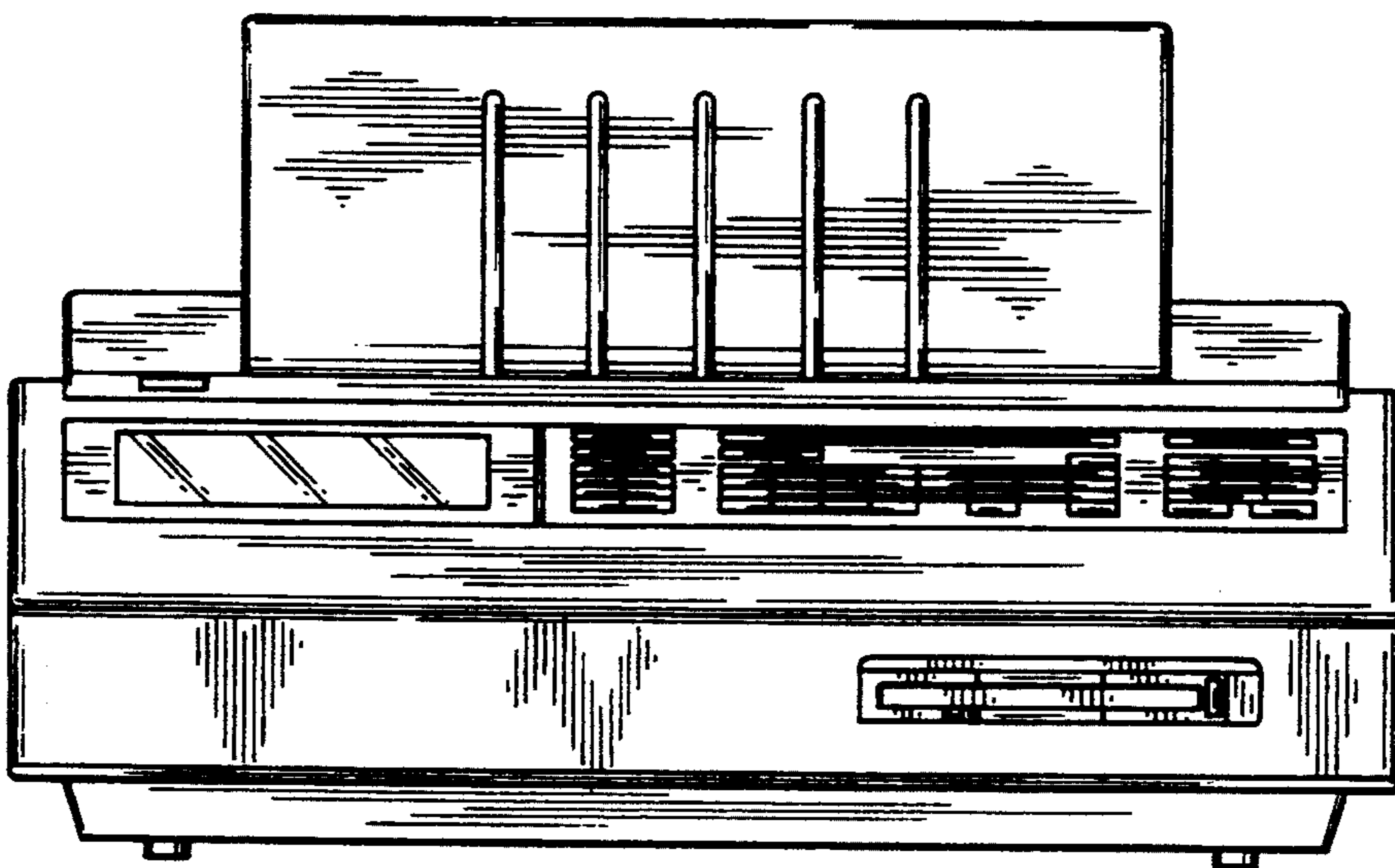


FIG. 3

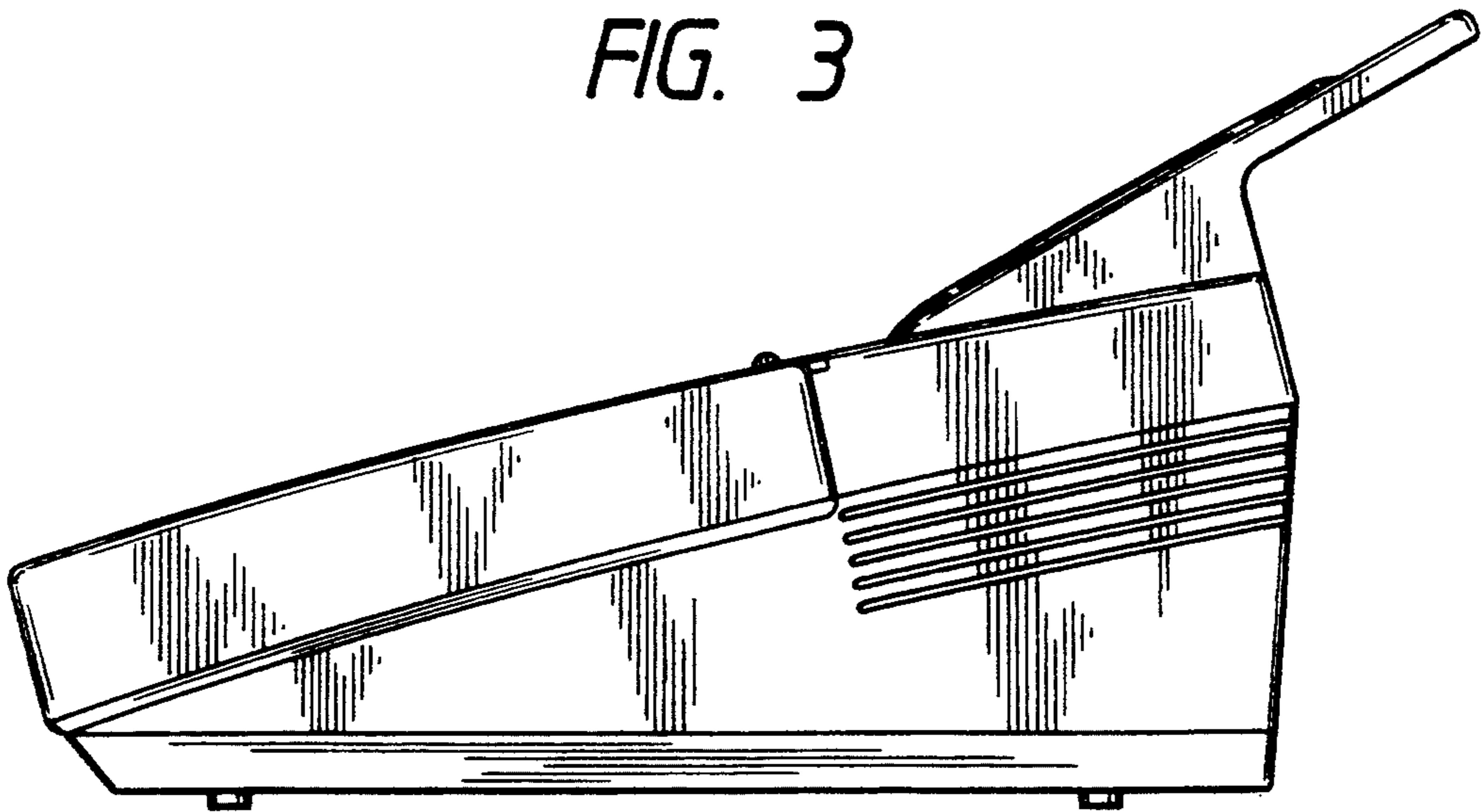


FIG. 4

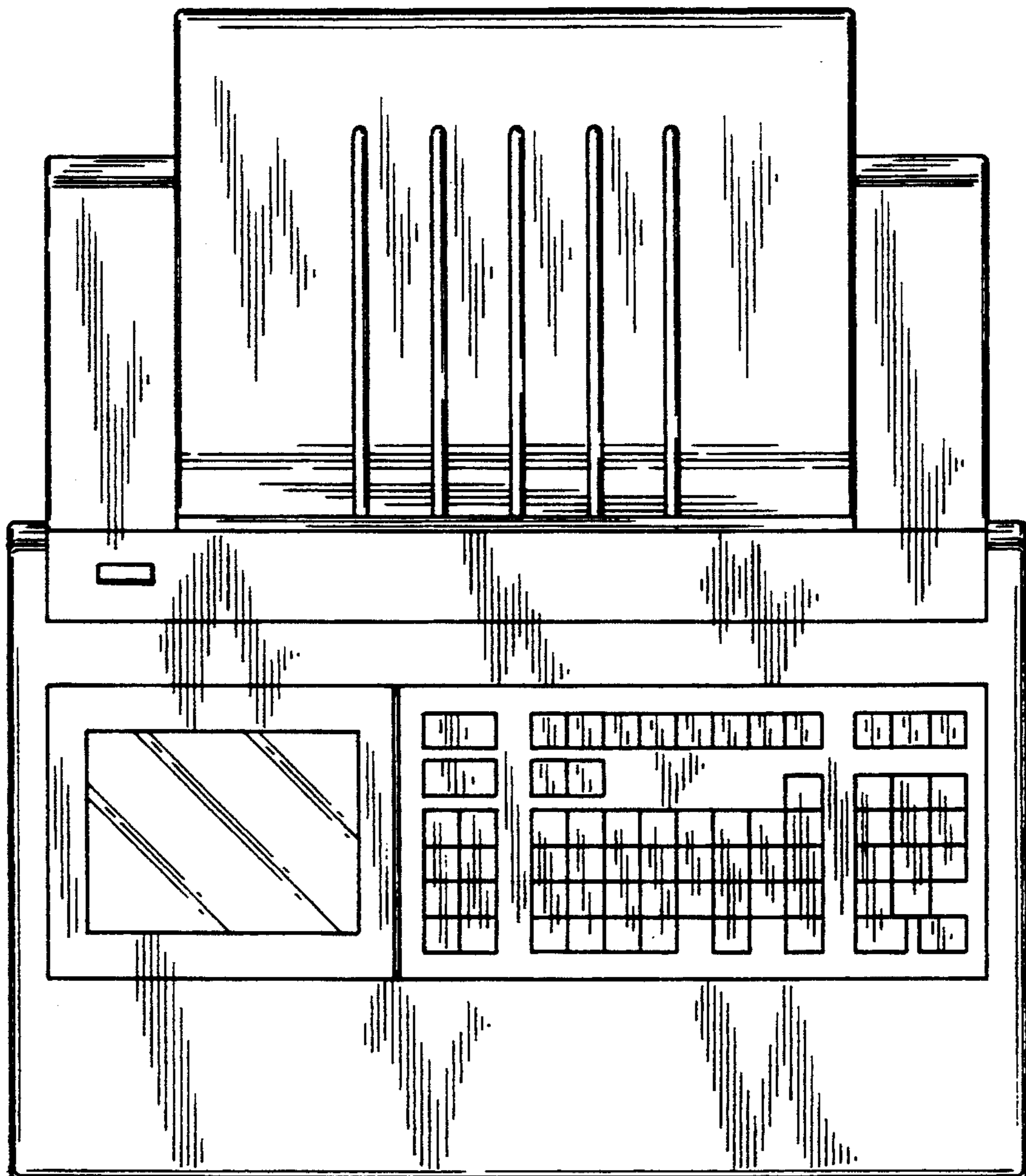


FIG. 5

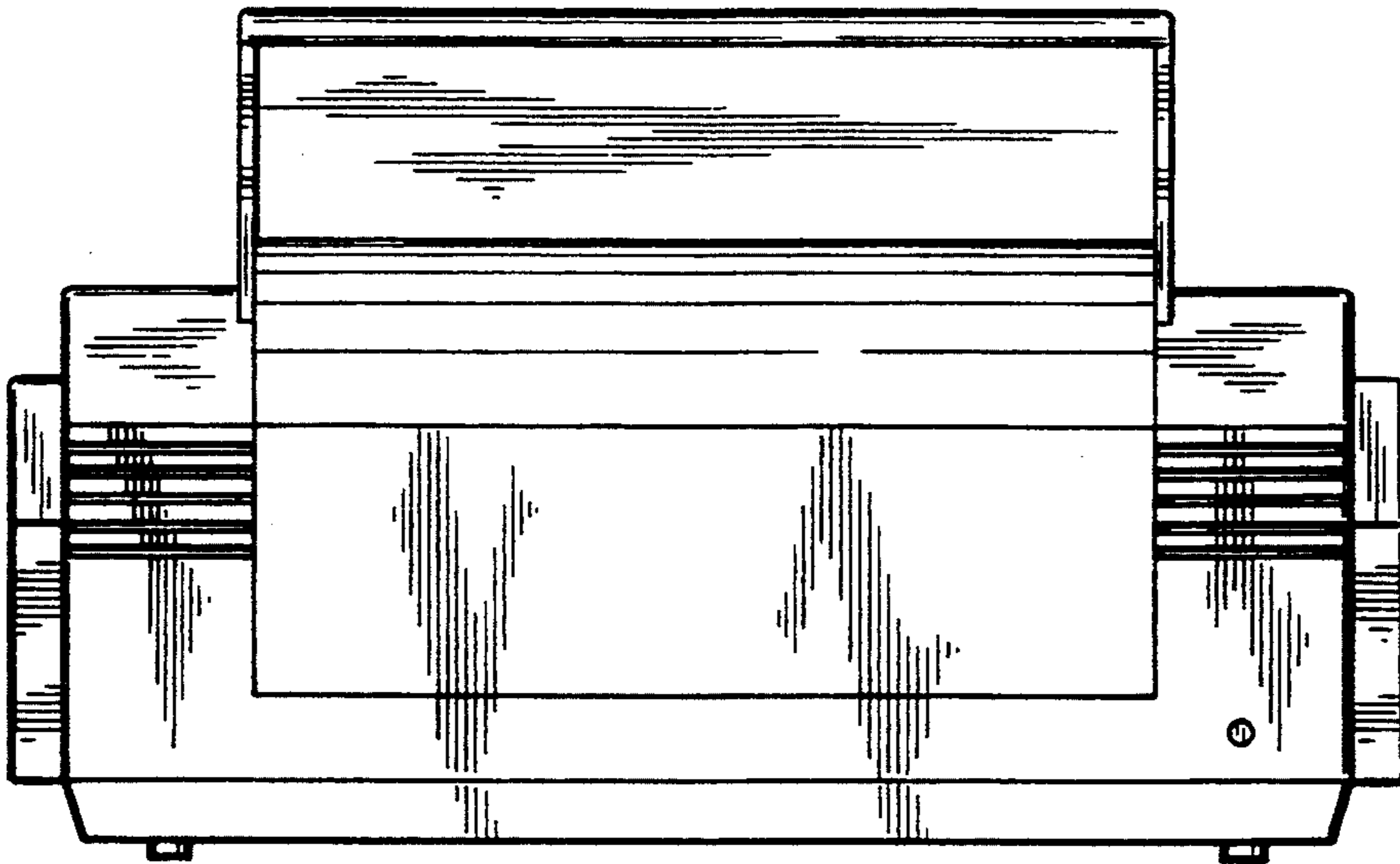


FIG. 6

